



US00D773143S

(12) **United States Design Patent** (10) **Patent No.:** **US D773,143 S**  
**Corless** (45) **Date of Patent:** **\*\* Nov. 29, 2016**

(54) **PANT RACK**

(71) Applicant: **Hardware Resources, Inc.**, Bossier City, LA (US)

(72) Inventor: **Justin Corless**, Flower Mound, TX (US)

(73) Assignee: **HARDWARE RESOURCES, INC.**, Bossier City, LA (US)

(\*\*) Term: **15 Years**

(21) Appl. No.: **29/546,900**

(22) Filed: **Nov. 27, 2015**

(51) **LOC (10) Cl.** ..... **07-05**

(52) **U.S. Cl.**  
 USPC ..... **D32/58**

(58) **Field of Classification Search**  
 USPC ..... D32/55, 276, 3, 58; D6/510, 525;  
 211/41.5, 41.4, 41.3, 41.8, 195, 200;  
 361/679.4; 312/311, 333, 334.4;  
 D7/354, 629, 368  
 CPC ..... A47J 47/20; A47J 2201/00; A47J 47/00;  
 B65D 35/02; B65D 35/22; B65D 35/56  
 See application file for complete search history.

D373,867 S \* 9/1996 Rask ..... D32/58  
 D465,891 S \* 11/2002 Brown ..... D32/55  
 D634,992 S \* 3/2011 McNamee ..... D7/704  
 D637,815 S \* 5/2011 Hsieh ..... D3/313  
 D648,091 S \* 11/2011 Southwick ..... D32/58  
 D665,549 S \* 8/2012 Kropf ..... D32/58  
 D670,058 S \* 10/2012 Cooper ..... D32/58  
 D706,009 S \* 5/2014 Cooper ..... D32/55  
 D727,632 S \* 4/2015 Sanchez ..... D6/323  
 D741,037 S \* 10/2015 Mustari ..... D32/58  
 D741,563 S \* 10/2015 Ouyang ..... D32/58

\* cited by examiner

*Primary Examiner* — Austin Murphy  
 (74) *Attorney, Agent, or Firm* — Schultz & Associates, P.C.

(56) **References Cited**

U.S. PATENT DOCUMENTS

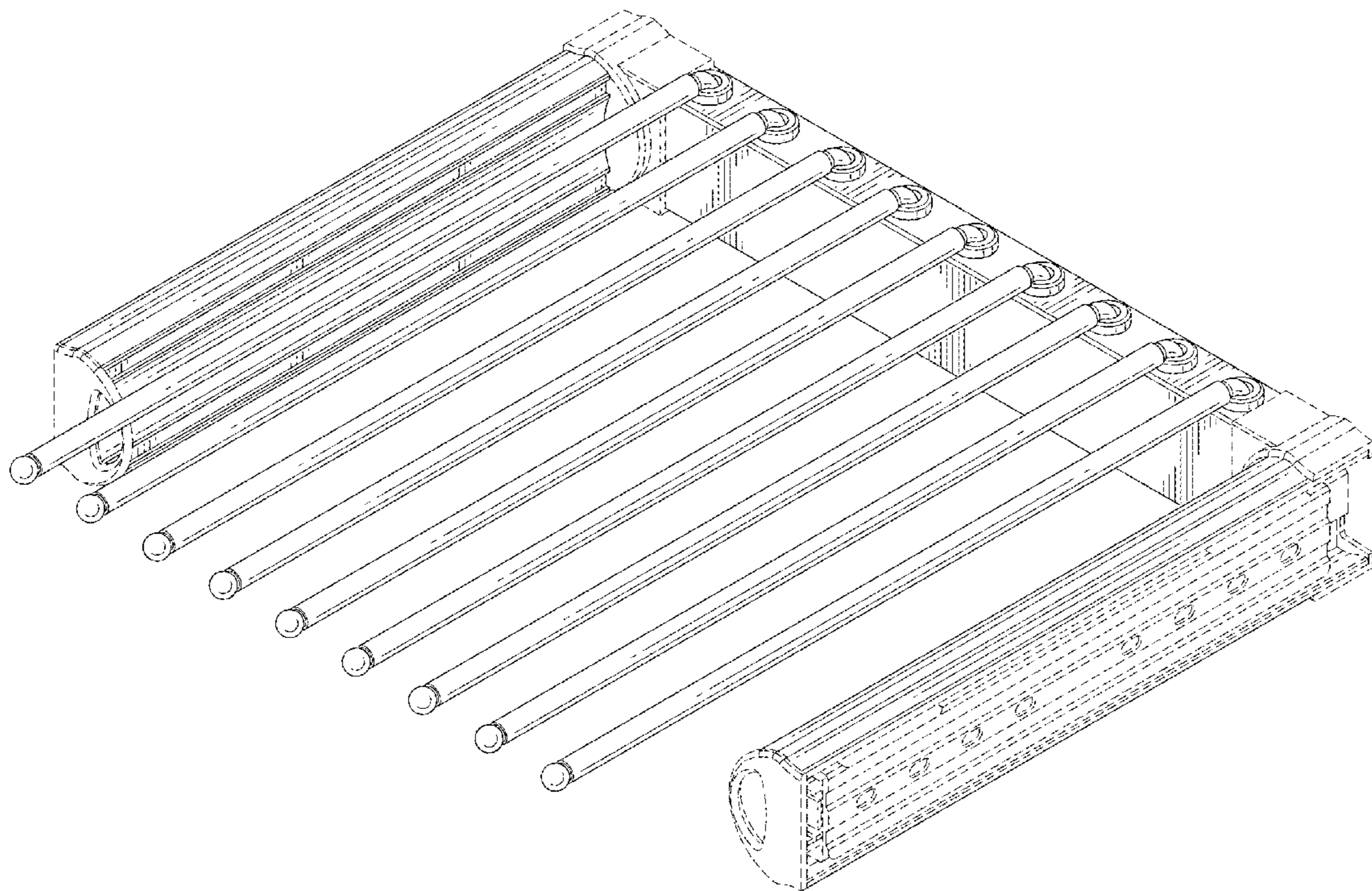
5,033,630 A \* 7/1991 Lee ..... A47G 25/0685  
 211/168  
 D371,728 S \* 7/1996 Krueger ..... D32/58

(57) **CLAIM**  
 The ornamental design for a pant rack, as shown and described.

**DESCRIPTION**

FIG. 1 is a perspective view of a pant rack showing my new design;  
 FIG. 2 is a front elevation view thereof;  
 FIG. 3 is a side elevation view thereof; and,  
 FIG. 4 is a top view thereof.  
 The broken lines shown represent unclaimed subject matter and form no part of the claimed design.

**1 Claim, 3 Drawing Sheets**



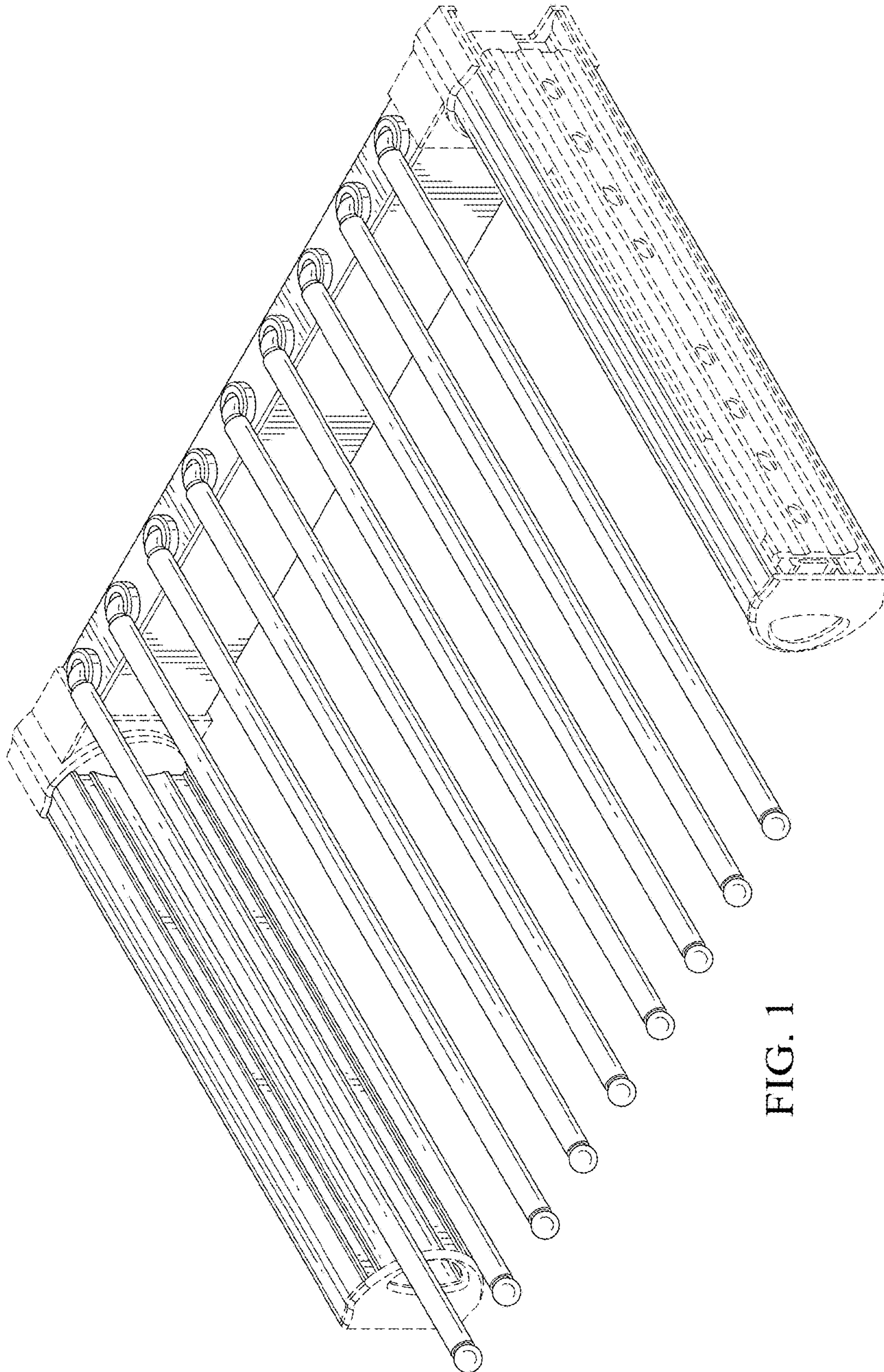


FIG. 1

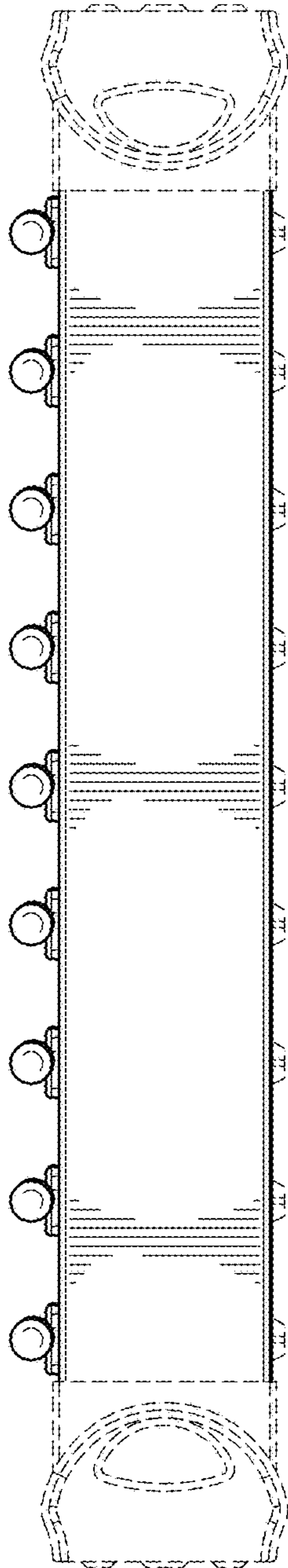


FIG. 2

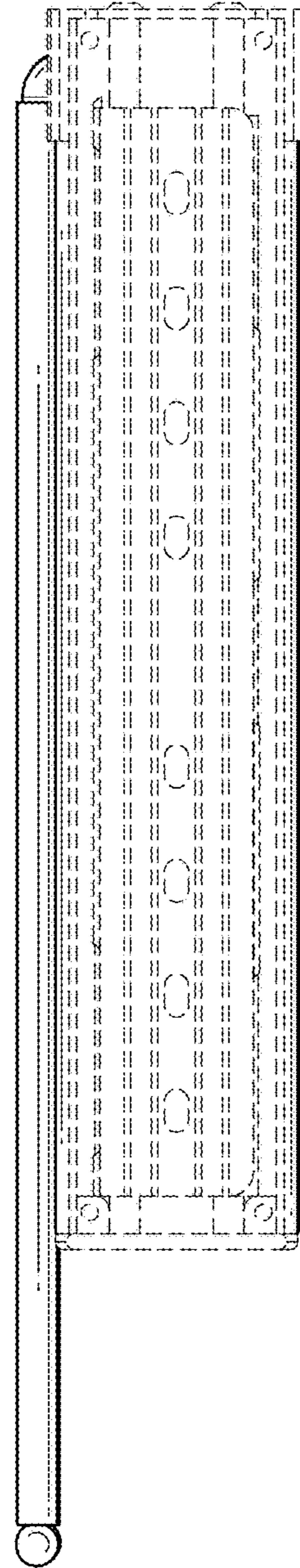


FIG. 3

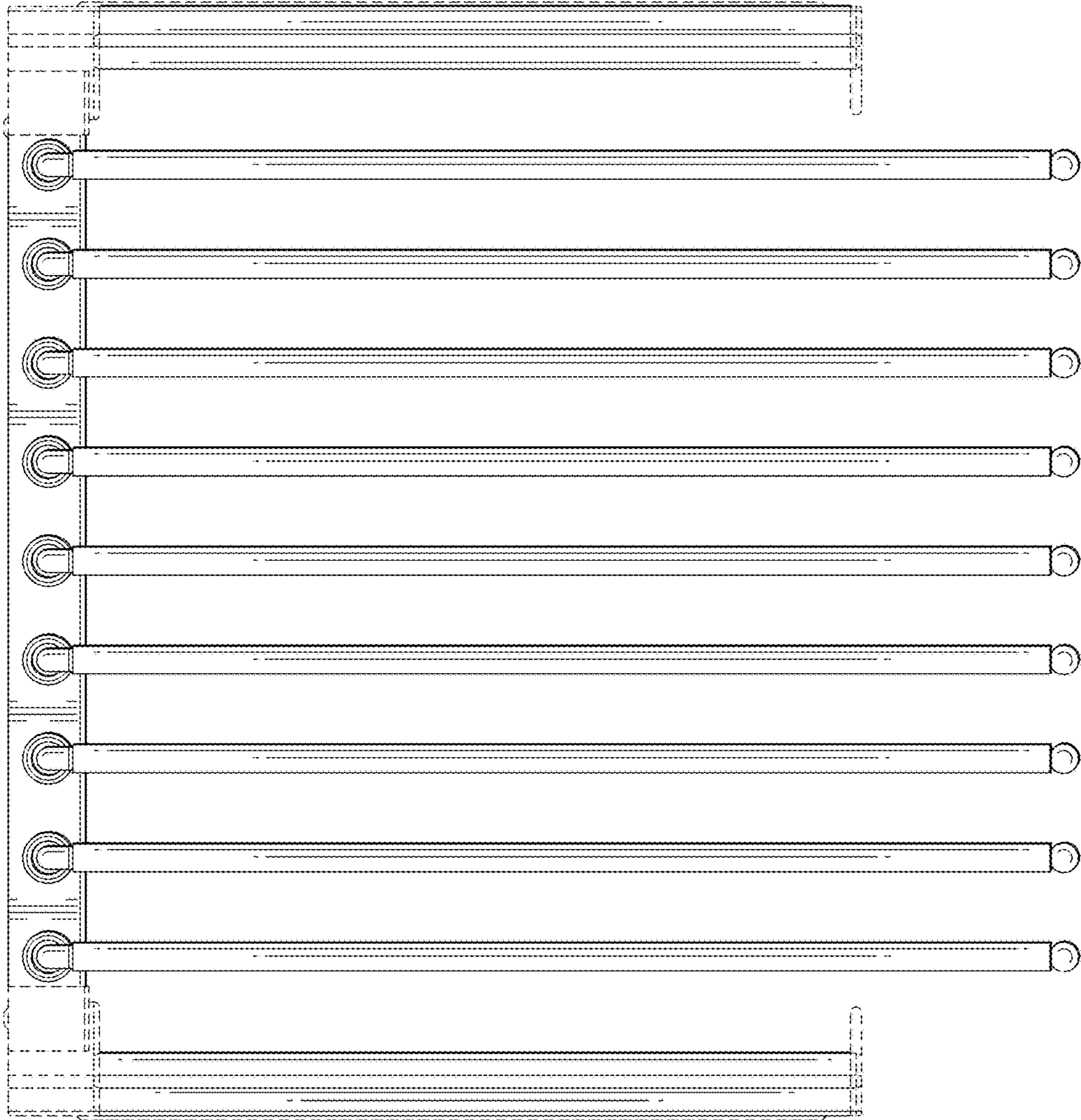


FIG. 4