



US00D773141S

(12) **United States Design Patent**  
**Chitayat et al.**

(10) **Patent No.:** **US D773,141 S**  
(45) **Date of Patent:** **\*\* Nov. 29, 2016**

(54) **SQUEEGEE WITH A PIVOTABLE BLADE**

FOREIGN PATENT DOCUMENTS

(71) Applicant: **F C Brands Limited**, Central Hong Kong (HK)

GB 3009481 \* 3/2003

(72) Inventors: **David Dennys Chitayat**, Shanghai (CN); **Heather Tomasetti Kauffman**, Brooklyn, NY (US); **Pieter Schouten**, Berkeley, CA (US)

OTHER PUBLICATIONS

Swivel squeegee handle—Moerman, online, no date, <http://www.moermangroup.com/en-uk/swivel-squeegee-handle-742.htm>, [site visited Apr. 28, 2016 8:52:25 PM].\*

(Continued)

(73) Assignee: **FC BRANDS LIMITED**, Central Hong Kong (HK)

*Primary Examiner* — John Windmuller

*Assistant Examiner* — John R Yeh

(\*\*) Term: **15 Years**

(74) *Attorney, Agent, or Firm* — Finch & Maloney PLLC

(21) Appl. No.: **29/542,491**

(57) **CLAIM**

The ornamental design for a squeegee with a pivotable blade, as shown and described.

(22) Filed: **Oct. 14, 2015**

**DESCRIPTION**

(51) **LOC (10) Cl.** ..... **04-01**

(52) **U.S. Cl.**

USPC ..... **D32/41**

(58) **Field of Classification Search**

USPC ..... D32/40–42, 46–49; D8/33, 47, 90, 93; D4/118, 199; D24/146–147

CPC ..... A47L 1/06; A47L 13/24

See application file for complete search history.

FIG. 1 is a perspective view of a squeegee with a pivotable blade showing our new design, wherein the blade is at a first position;

FIG. 2 is a front elevation view of the design of FIG. 1;

FIG. 3 is a rear elevation view of the design of FIG. 1;

FIG. 4 is a left elevation view of the design of FIG. 1;

FIG. 5 is a right elevation view of the design of FIG. 1;

FIG. 6 is a top elevation view of the design of FIG. 1;

FIG. 7 is a bottom elevation view of the design of FIG. 1;

FIG. 8 is a perspective view of the design of FIG. 1, wherein the blade is at a second position;

FIG. 9 is a front elevation view of the design of FIG. 8;

FIG. 10 is a right elevation view of the design of FIG. 8, wherein the left elevation view is a mirror image thereof; and,

FIG. 11 is a bottom elevation view of the design of FIG. 8.

The broken lines represent portions of the squeegee with pivotable blade that form no part of the claimed design.

(56) **References Cited**

U.S. PATENT DOCUMENTS

2,112,462 A \* 3/1938 Hawrylasz ..... A47L 1/06 15/245

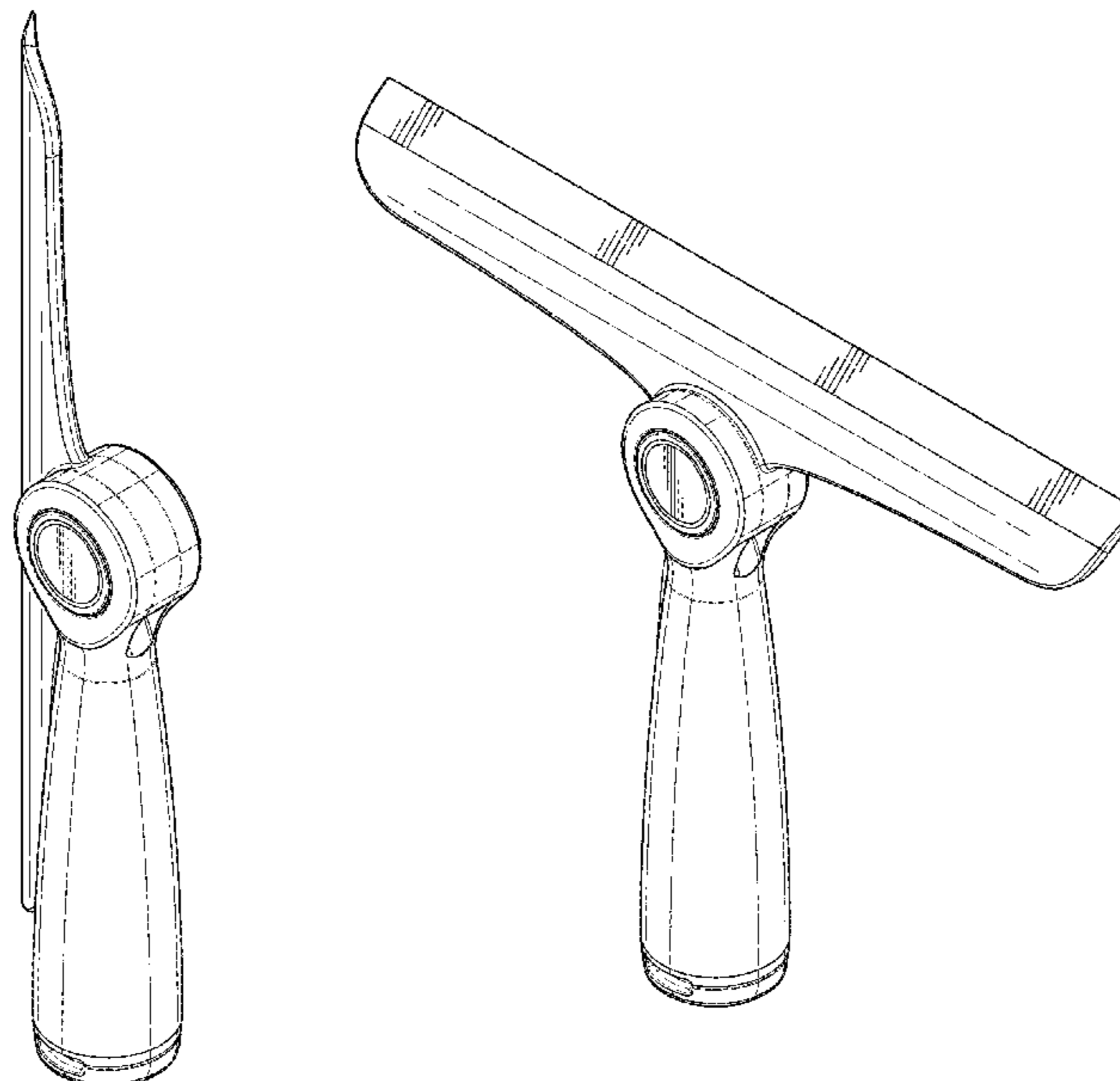
2,123,638 A \* 7/1938 Steccone ..... A47L 1/06 15/245

2,225,432 A \* 12/1940 Ginsberg ..... A47L 1/06 15/145

D253,085 S \* 10/1979 Mercer ..... D32/49

(Continued)

**1 Claim, 7 Drawing Sheets**



(56)

References Cited

U.S. PATENT DOCUMENTS

D279,932	S *	7/1985	Bergstrom	.....	D32/41
4,847,938	A *	7/1989	Unger	.....	A47L 1/06 15/144.1
D422,765	S *	4/2000	Viola	.....	D32/35
D463,082	S *	9/2002	Harrington	.....	D32/41
D500,184	S *	12/2004	Libman	.....	D32/41
6,931,690	B2 *	8/2005	Cox	.....	A47L 1/06 15/144.1
7,000,282	B2 *	2/2006	Cox	.....	A47L 1/06 15/143.1
7,748,074	B2 *	7/2010	Guizzi	.....	A47L 1/06 15/152
D627,532	S *	11/2010	Yang	.....	D32/41
D685,547	S *	7/2013	Vasilakes	.....	D32/40
D685,550	S *	7/2013	Tronconi	.....	D32/40
D686,892	S *	7/2013	Cagle	.....	D8/10
8,726,451	B2 *	5/2014	Patterson	.....	A47L 1/06 15/245
D709,757	S *	7/2014	Yang	.....	D8/395
D715,009	S *	10/2014	Curien	.....	D32/41
2004/0226125	A1 *	11/2004	Cox	.....	A47L 1/06 15/245

OTHER PUBLICATIONS

Complete squeegee, Unger Ergotec Ninja squeegee, online, website 2014, [http://www.cleaningspot.co.uk/acatalog/Complete\\_squeegee.html](http://www.cleaningspot.co.uk/acatalog/Complete_squeegee.html), [site visited Apr. 28, 2016 8:49:37 PM].\*

Pulex Technolite Squeegee 14" 35cm—Window Cleaning Stuff, online, no date, <http://www.windowcleaningstuff.co.uk/squeegees/579-pulex-technolite-squeegee-14-35cm.html#>, [site visited Apr. 28, 2016 8:47:28].\*

Pivoting Head Window Squeegee/window brush, online, website 2016, <http://cleancommodity.en.hisupplier.com/product-813414-Pivoting-Head-Window-Squeegee-window-brush-window-brushes.html>, [site visited Apr. 28, 2016 8:44:52 PM].\*

Amazon.com: Full Circle Wipe Out Pivoting Squeegee, online, website copyright 2016, [http://www.amazon.com/Full-Circle-Pivoting-Squeegee-Green/dp/B01EMY6GUW/ref=sr\\_1\\_2?ie=UTF8&qid=1461891828&sr=8-2&keywords=squeegee+with+pivoting+head](http://www.amazon.com/Full-Circle-Pivoting-Squeegee-Green/dp/B01EMY6GUW/ref=sr_1_2?ie=UTF8&qid=1461891828&sr=8-2&keywords=squeegee+with+pivoting+head), site visited [Apr. 28, 2016 9:04:44 PM].\*

\* cited by examiner

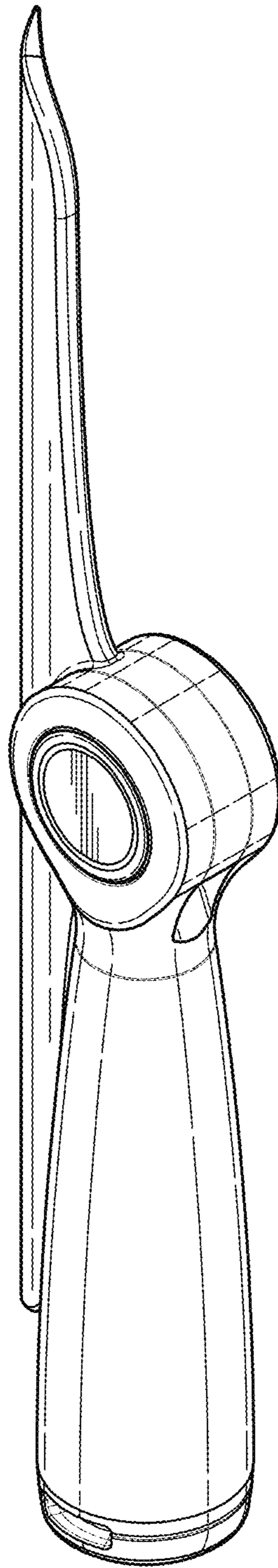


FIG. 1

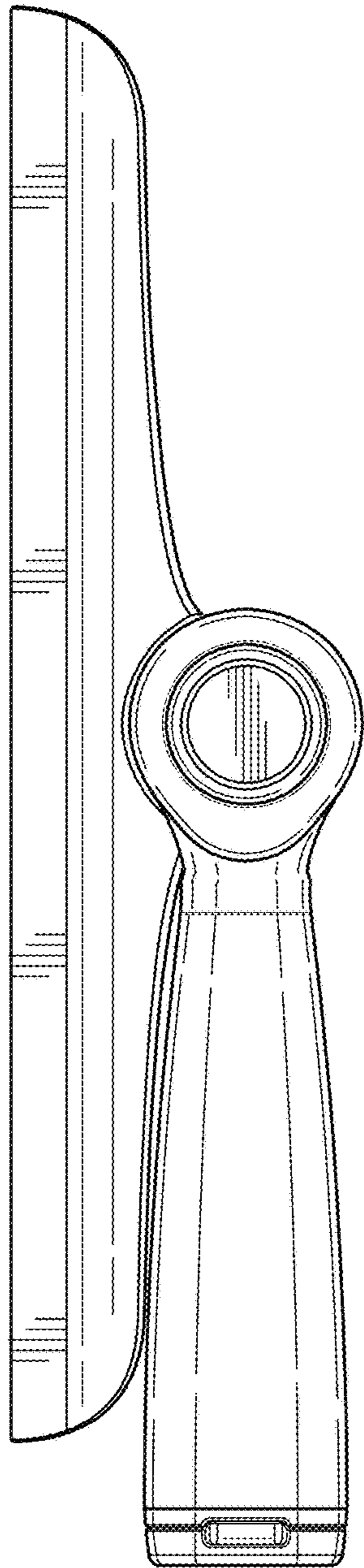


FIG. 2

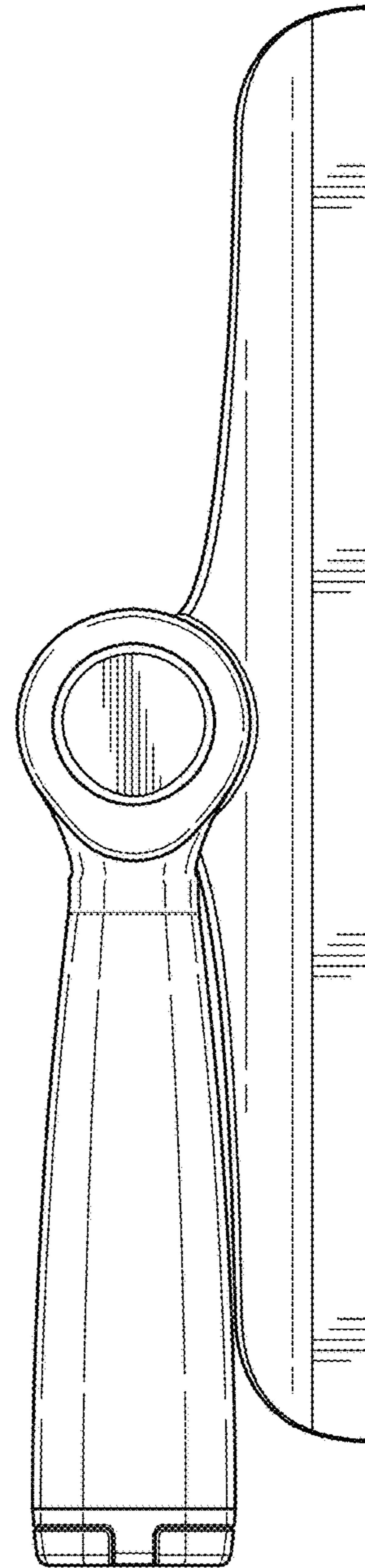


FIG. 3

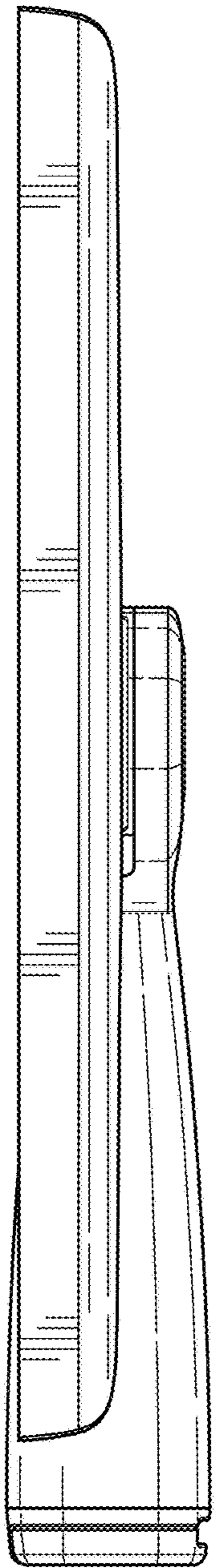


FIG. 4

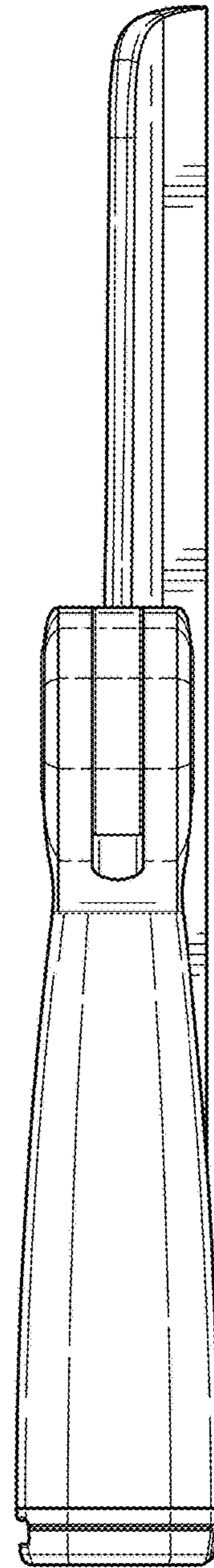


FIG. 5

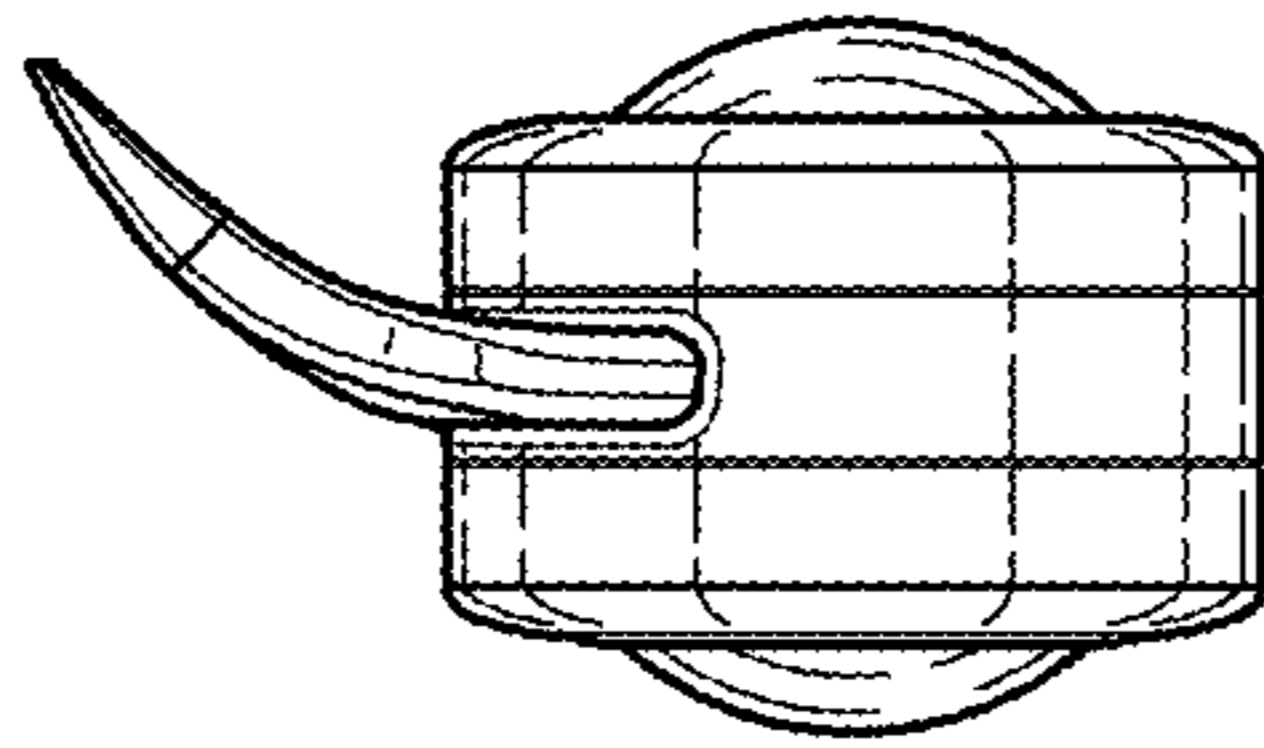


FIG. 6

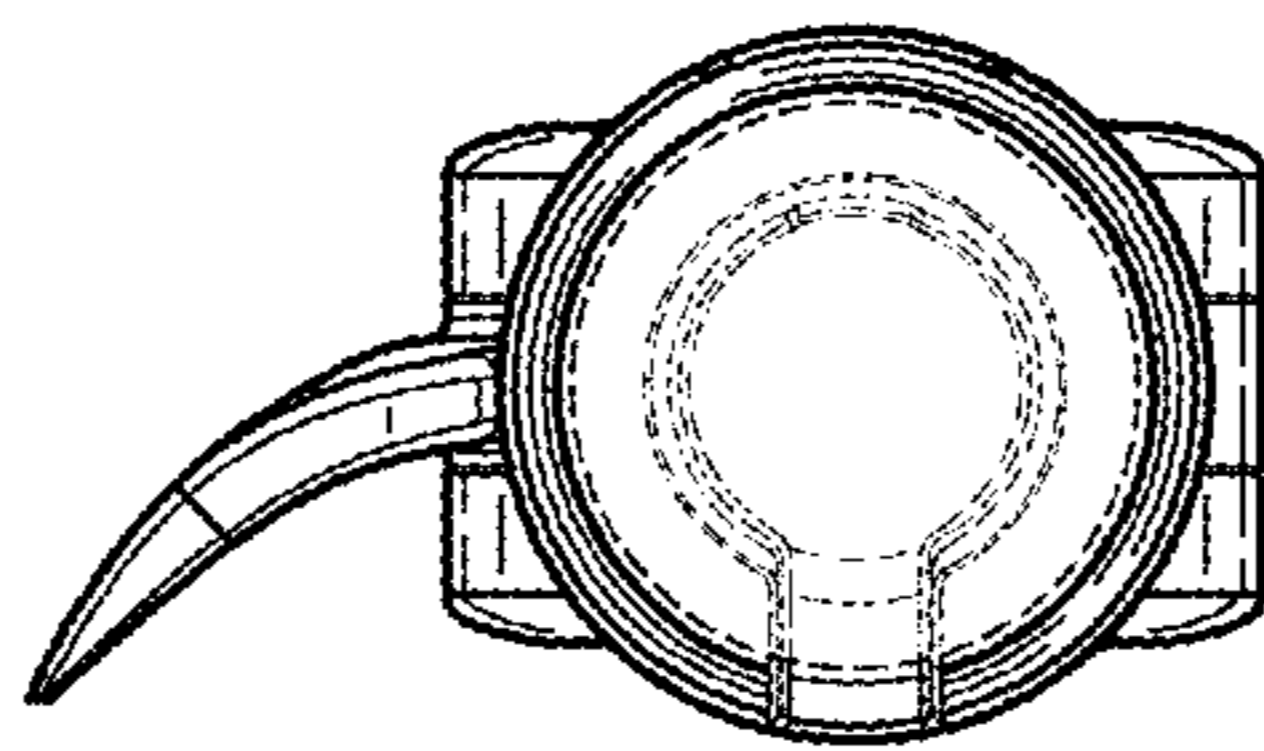


FIG. 7

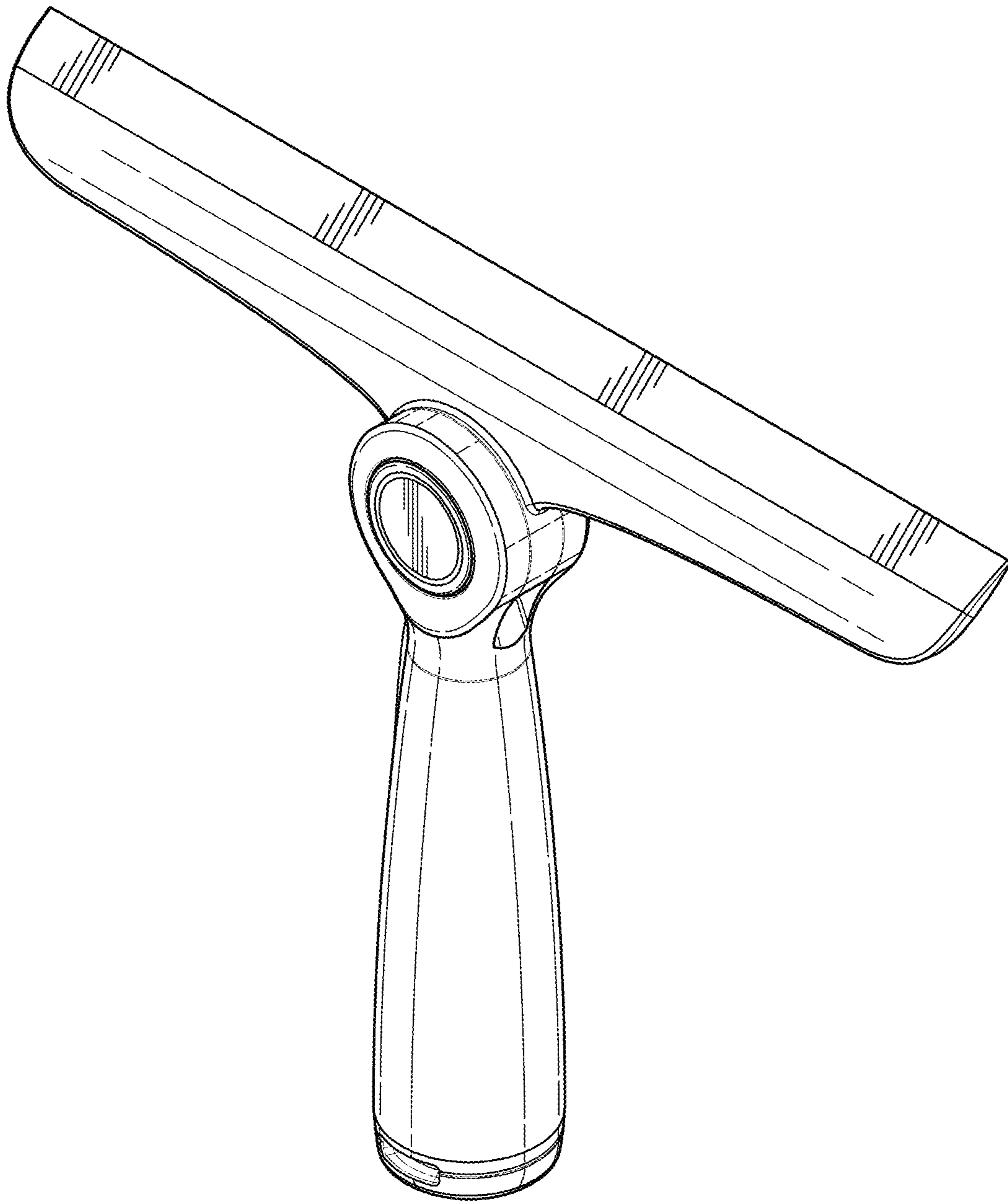


FIG. 8

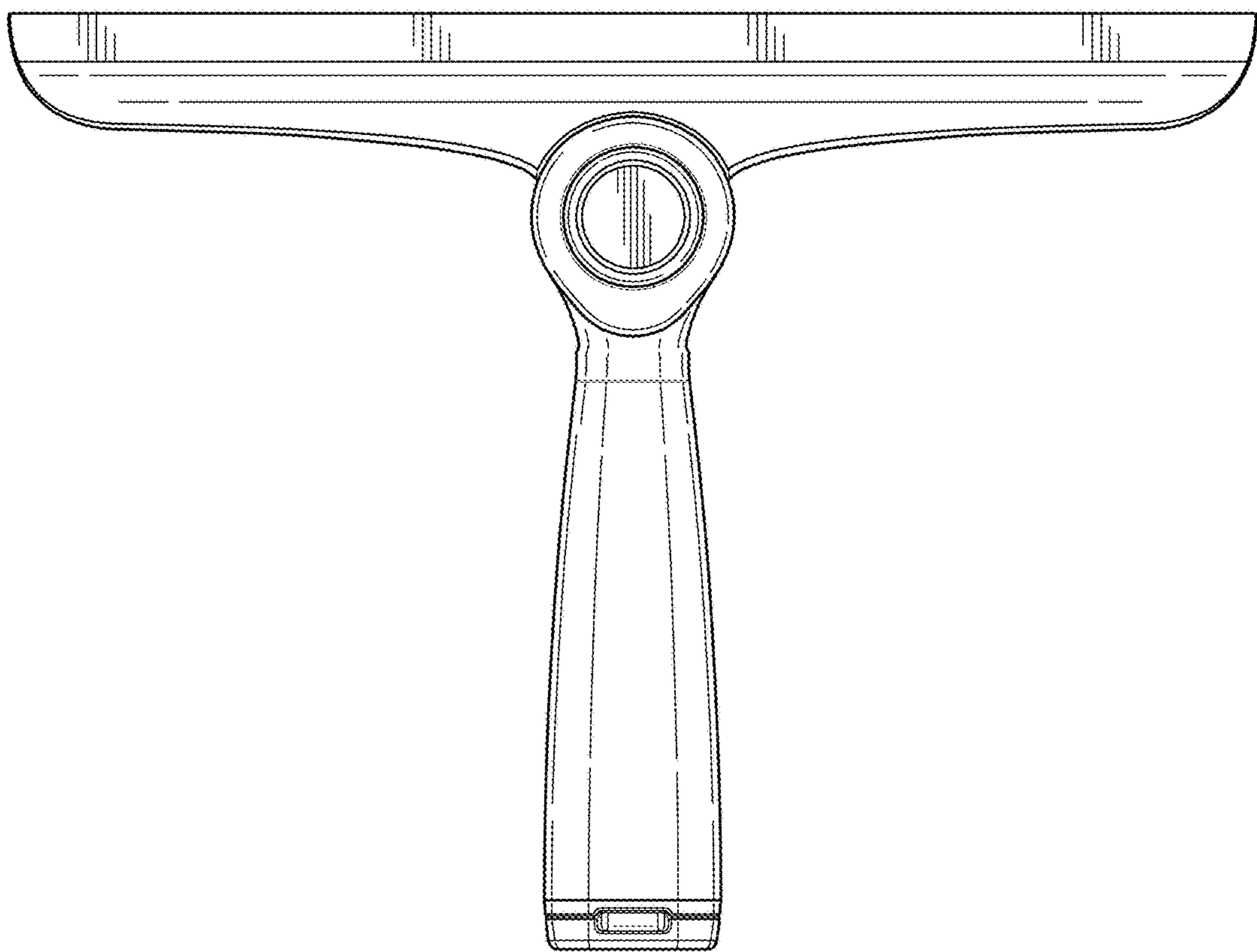


FIG. 9



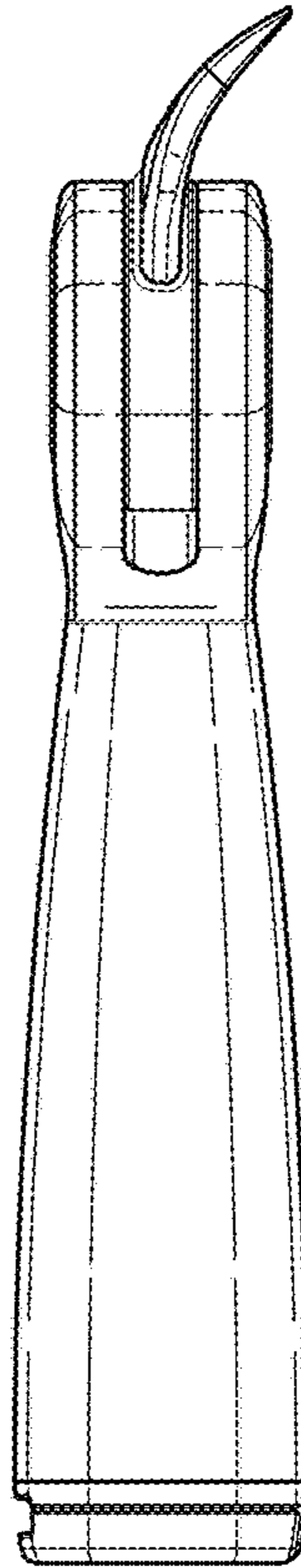


FIG. 10

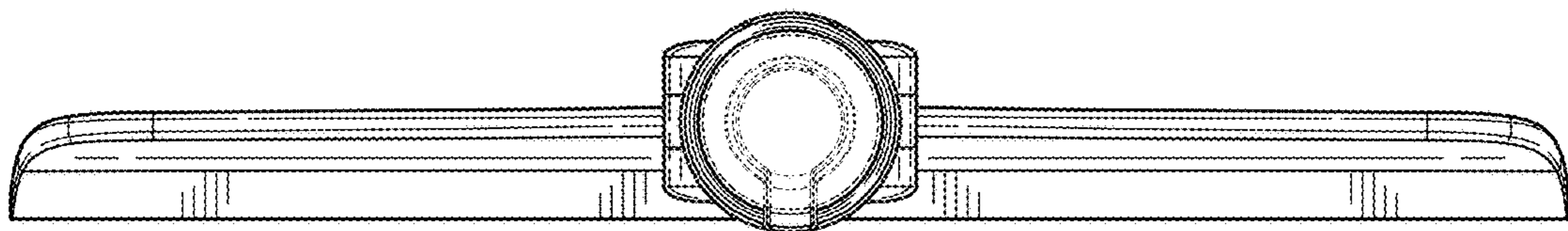


FIG. 11