



US00D773139S

(12) **United States Design Patent**
Palladino

(10) **Patent No.:** **US D773,139 S**

(45) **Date of Patent:** **** Nov. 29, 2016**

(54) **VACUUM CLEANER HEAD**

(71) Applicant: **SHARKNINJA OPERATING LLC**,
Newton, MA (US)

(72) Inventor: **Gary Palladino**, Somerville, MA
(US)

(73) Assignee: **SharkNinja Operating LLC**, Newton,
MA (US)

(**) Term: **15 Years**

(21) Appl. No.: **29/527,081**

(22) Filed: **May 15, 2015**

(51) **LOC (10) Cl.** **15-05**

(52) **U.S. Cl.**
USPC **D32/32**

(58) **Field of Classification Search**
USPC D32/17-18, 21-24, 31, 34, 40, 42,
D32/49-52

CPC A47L 5/28; A47L 5/32; A47L 5/362;
A47L 5/365; A47L 5/24; A47L 5/34; A47L
7/0038; A47L 9/26; A47L 9/2857; A47L
9/20; A47L 9/02; A47L 9/322; A47L 9/325;
A47L 11/34; A47L 11/40; A47L 11/4044;
A47L 11/20; A47L 20/146

See application file for complete search history.

(56) **References Cited**

U.S. PATENT DOCUMENTS

6,012,200	A	1/2000	Murphy et al.	
D443,120	S *	5/2001	Choi	D32/32
6,226,832	B1	5/2001	McCormick	
D456,967	S *	5/2002	Santiago	D32/32
D460,231	S *	7/2002	Bagwell	D32/32
7,200,893	B2	4/2007	Gerber et al.	

D564,720	S *	3/2008	Dyson	D32/32
D599,515	S *	9/2009	Davies	D32/32
D643,168	S *	8/2011	Dyson	D32/32
D647,675	S *	10/2011	Lee	D32/32
D649,725	S *	11/2011	Fjellman	D32/32
D672,103	S *	12/2012	Dyson	D32/32
D680,699	S *	4/2013	Okabe	D32/33
8,631,541	B2	1/2014	Tran	
D701,360	S *	3/2014	Thorne	D32/32
D703,402	S *	4/2014	Thorne	D32/32
8,776,311	B2	7/2014	Genn et al.	

FOREIGN PATENT DOCUMENTS

JP	H10201682	A	8/1998
WO	2014131106	A1	9/2014

* cited by examiner

Primary Examiner — Ruth McInroy

(74) *Attorney, Agent, or Firm* — Grossman Tucker
Perreault & Pflieger, PLLC

(57) **CLAIM**

The ornamental design for a vacuum cleaner head, as shown
and described.

DESCRIPTION

FIG. 1 is a perspective view of a vacuum cleaner head
showing my new design;

FIG. 2 is a front elevational view thereof;

FIG. 3 is a rear elevational view thereof;

FIG. 4 is a left side elevational view thereof;

FIG. 5 is a right side elevational view thereof;

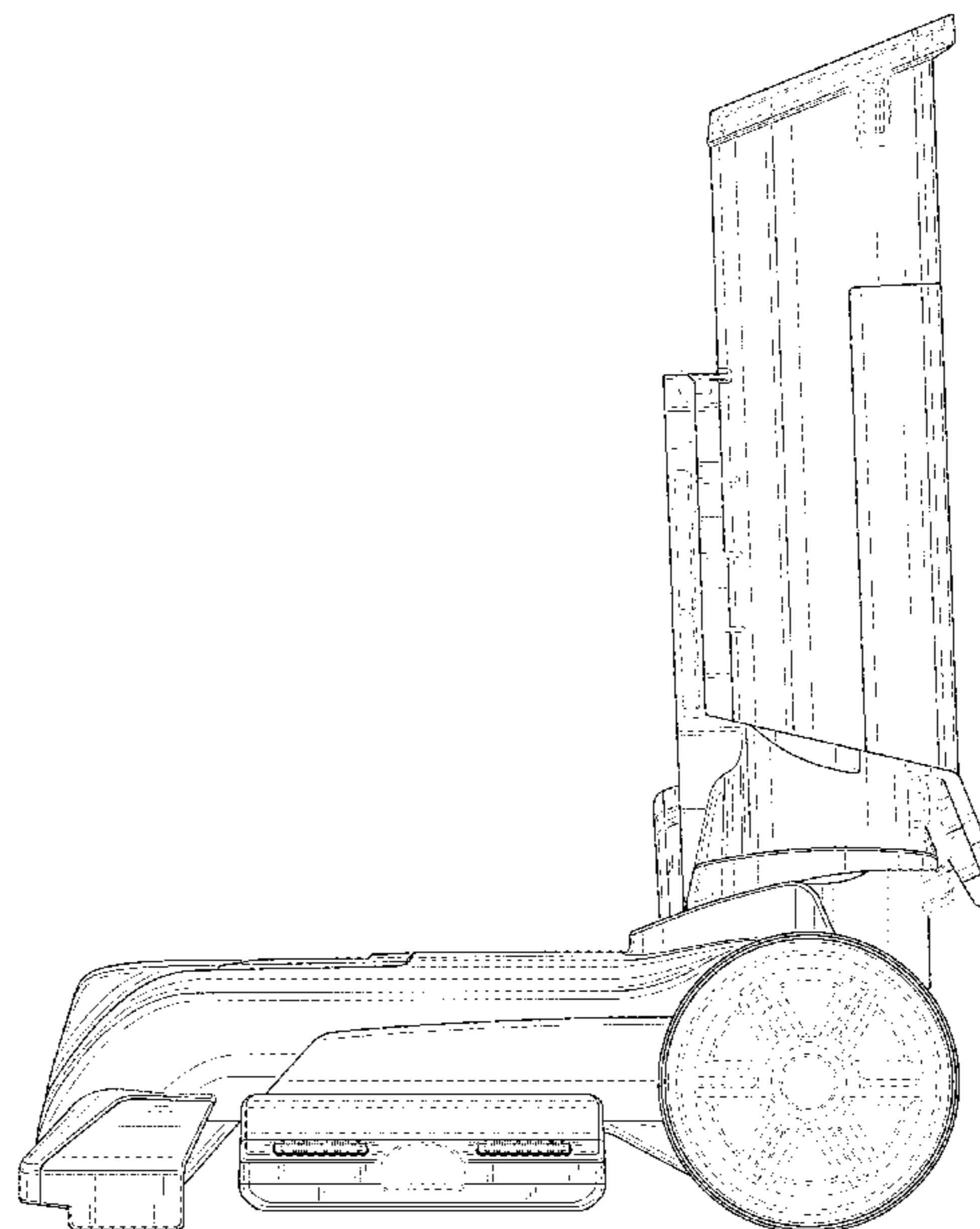
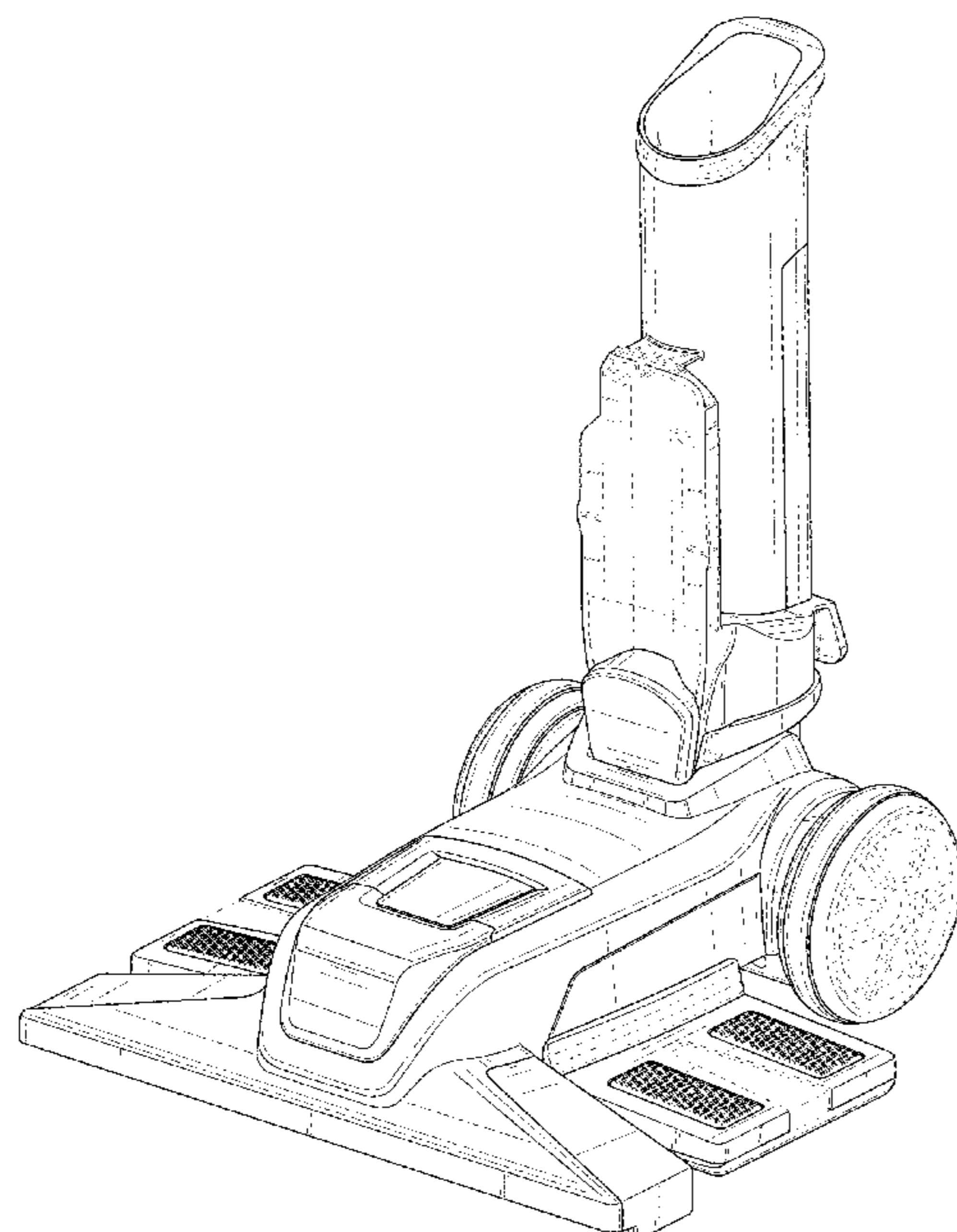
FIG. 6 is a top plan view thereof;

FIG. 7 is a bottom plan view thereof; and,

FIG. 8 is a perspective view thereof.

The broken lines in the drawings are for illustrative purposes
only and form no part of the claimed design.

1 Claim, 8 Drawing Sheets



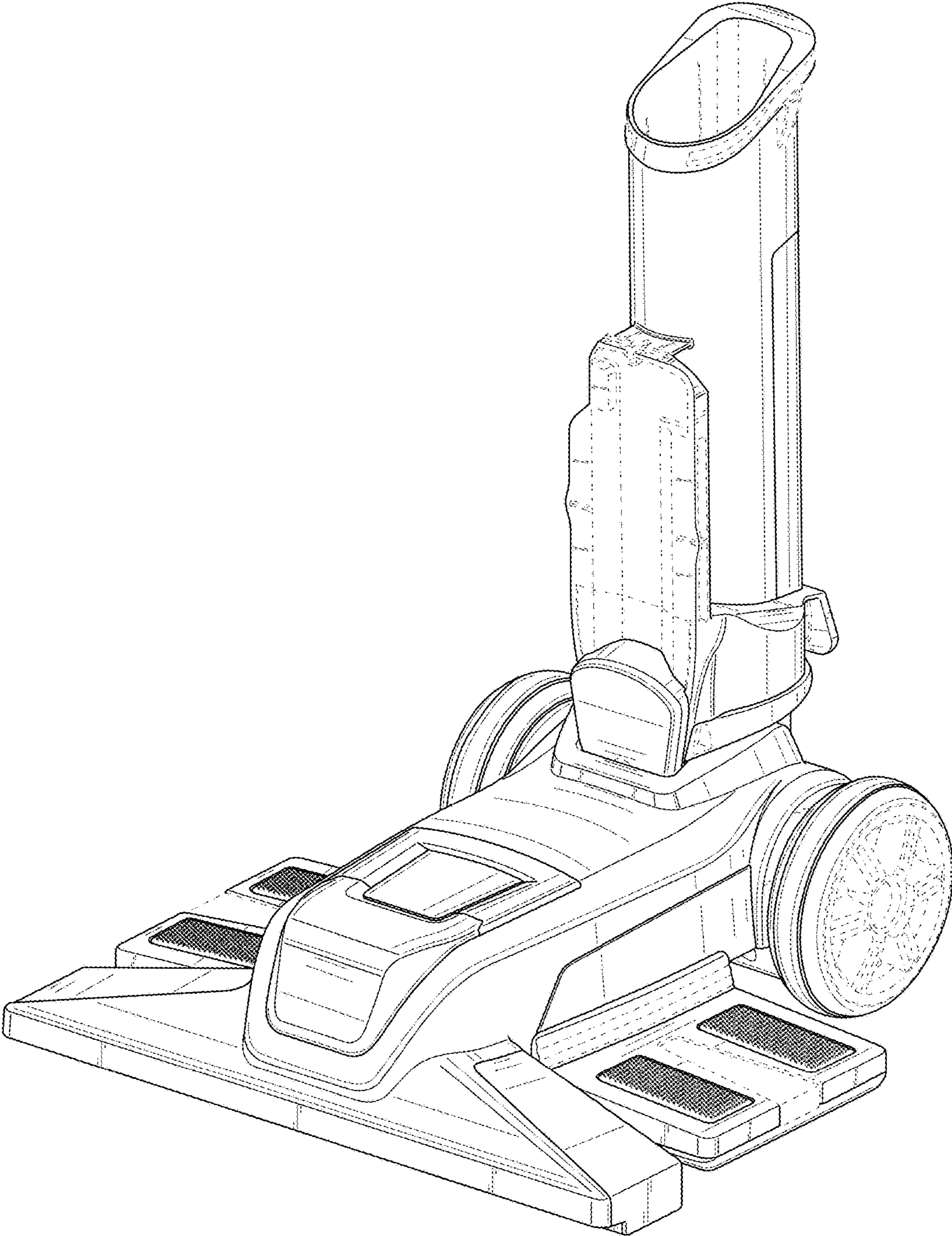


FIG. 1

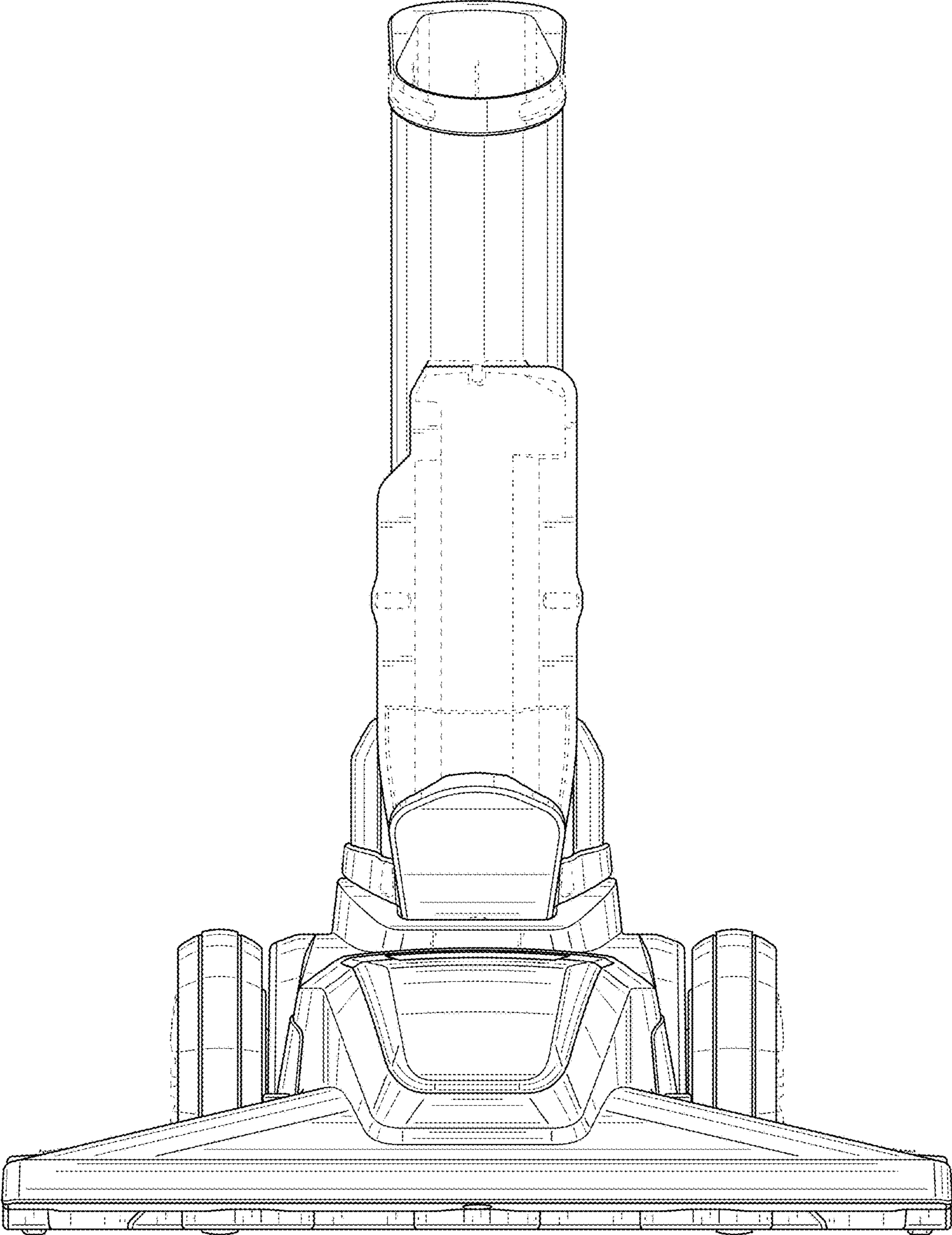


FIG. 2

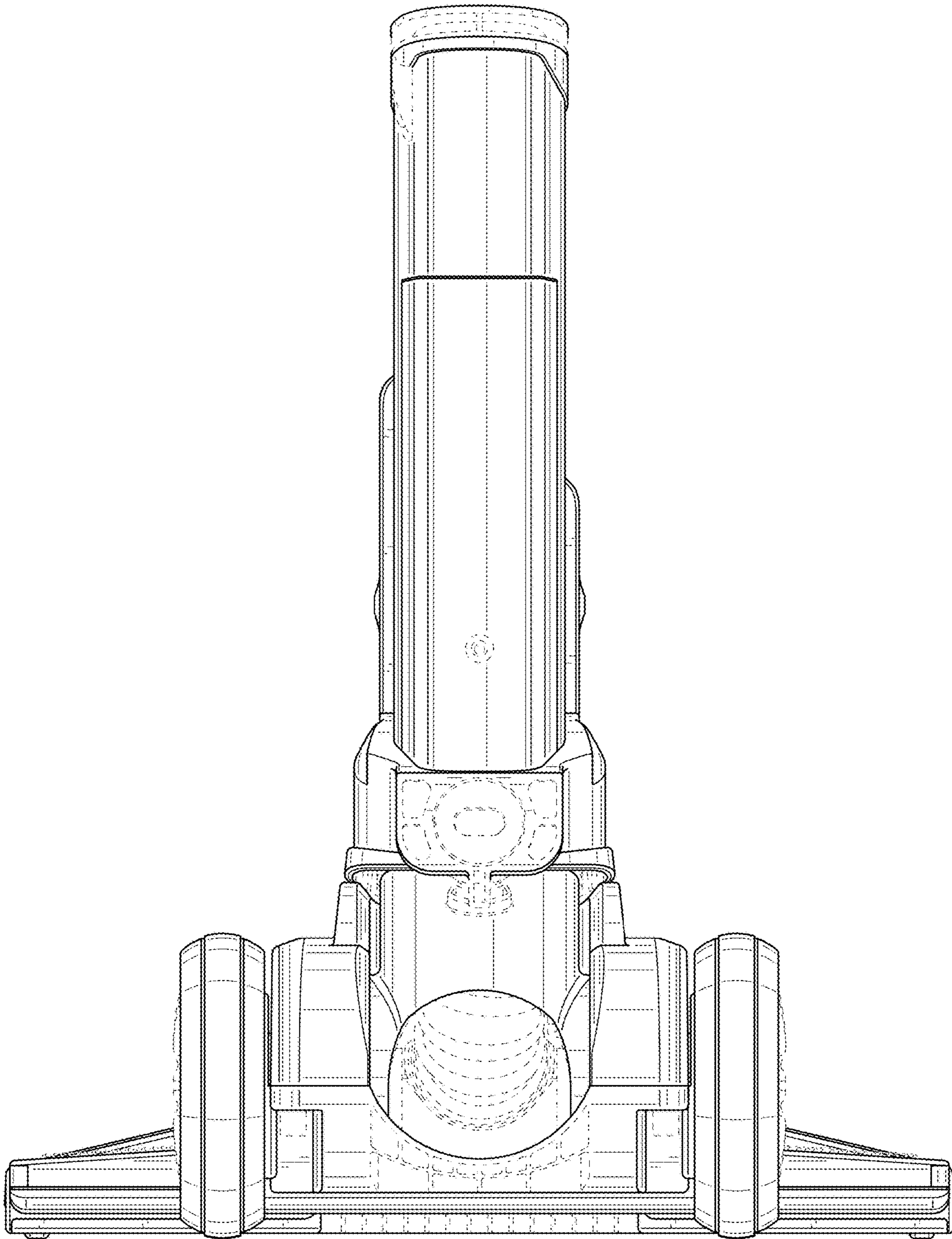


FIG. 3

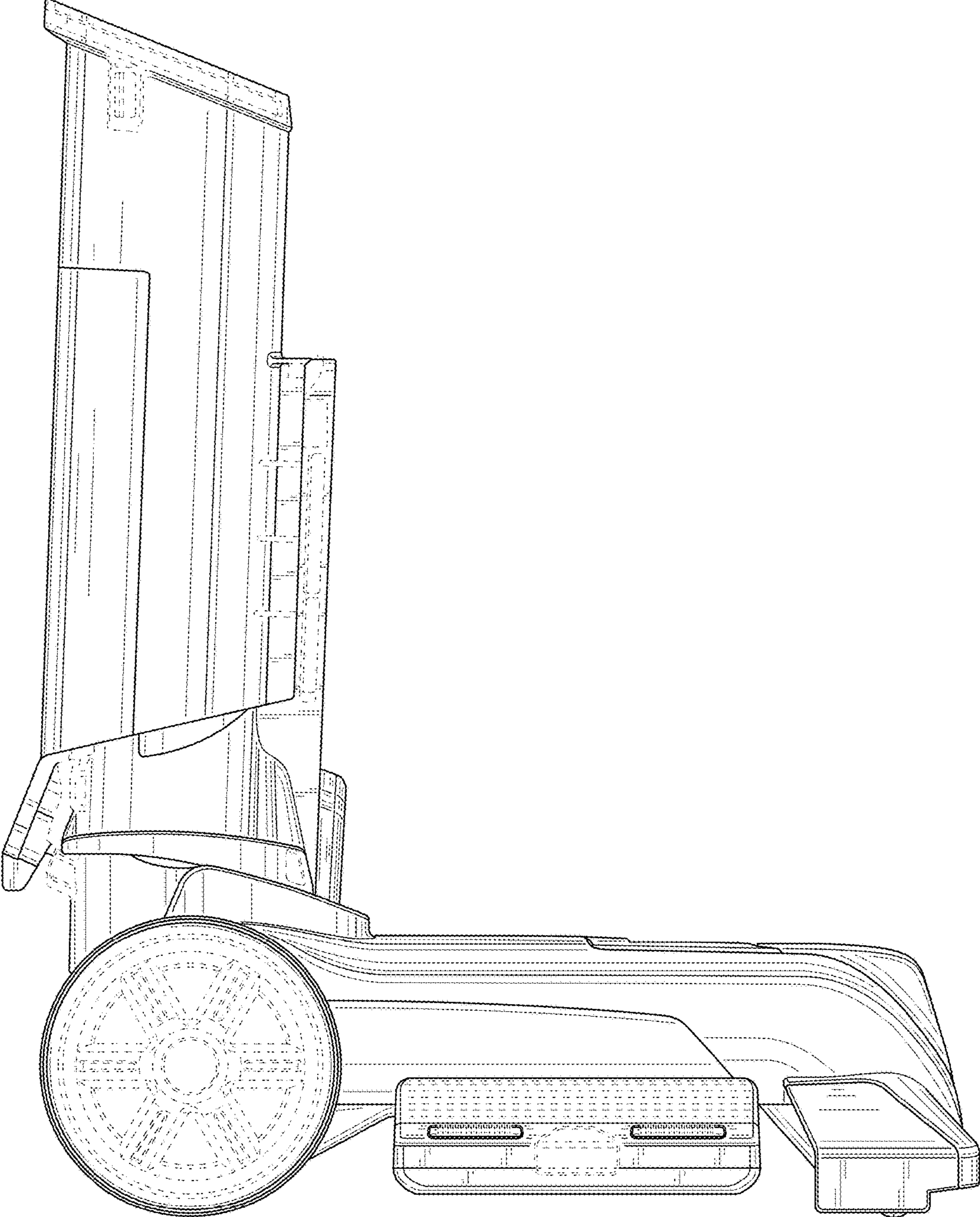


FIG. 4

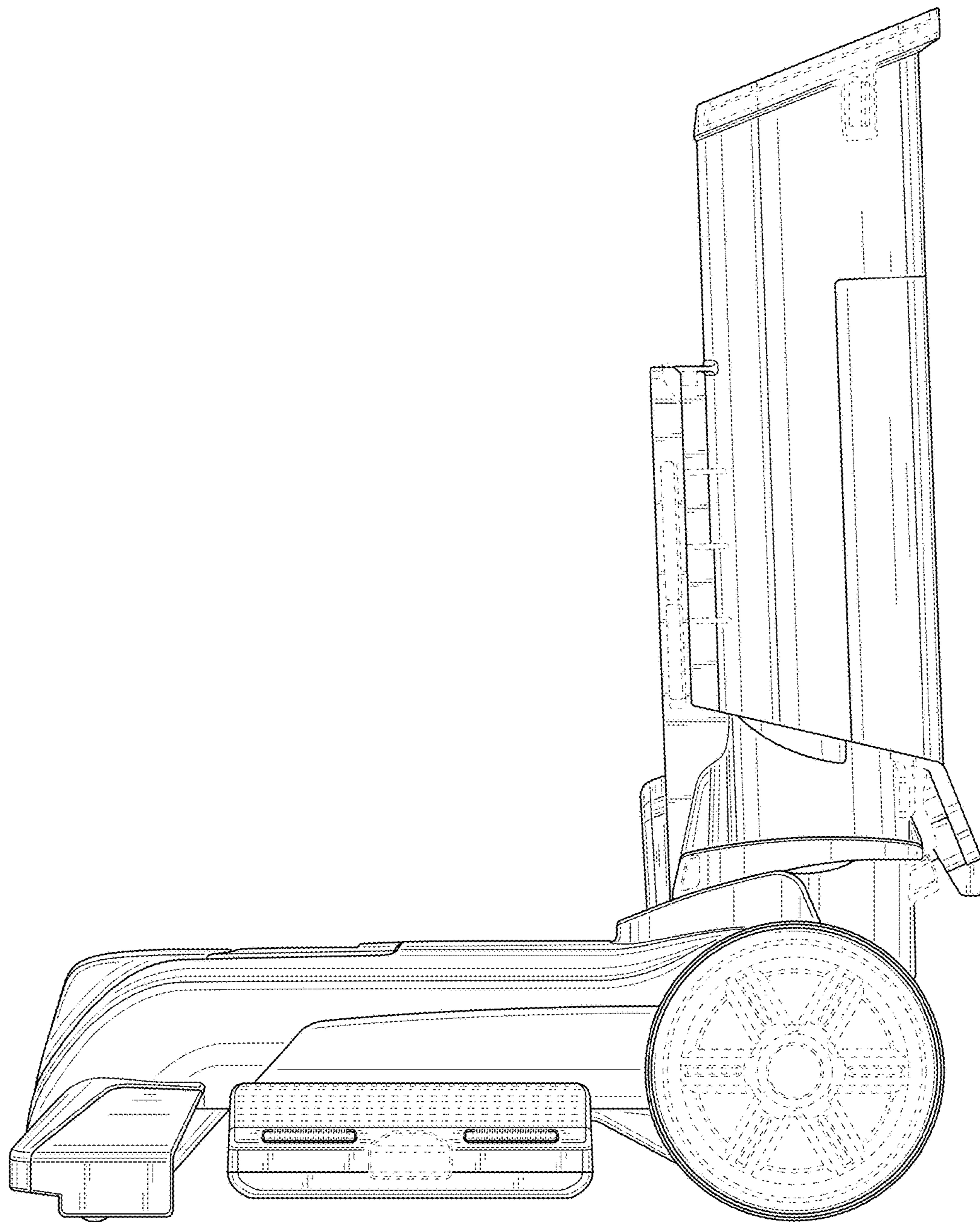


FIG. 5

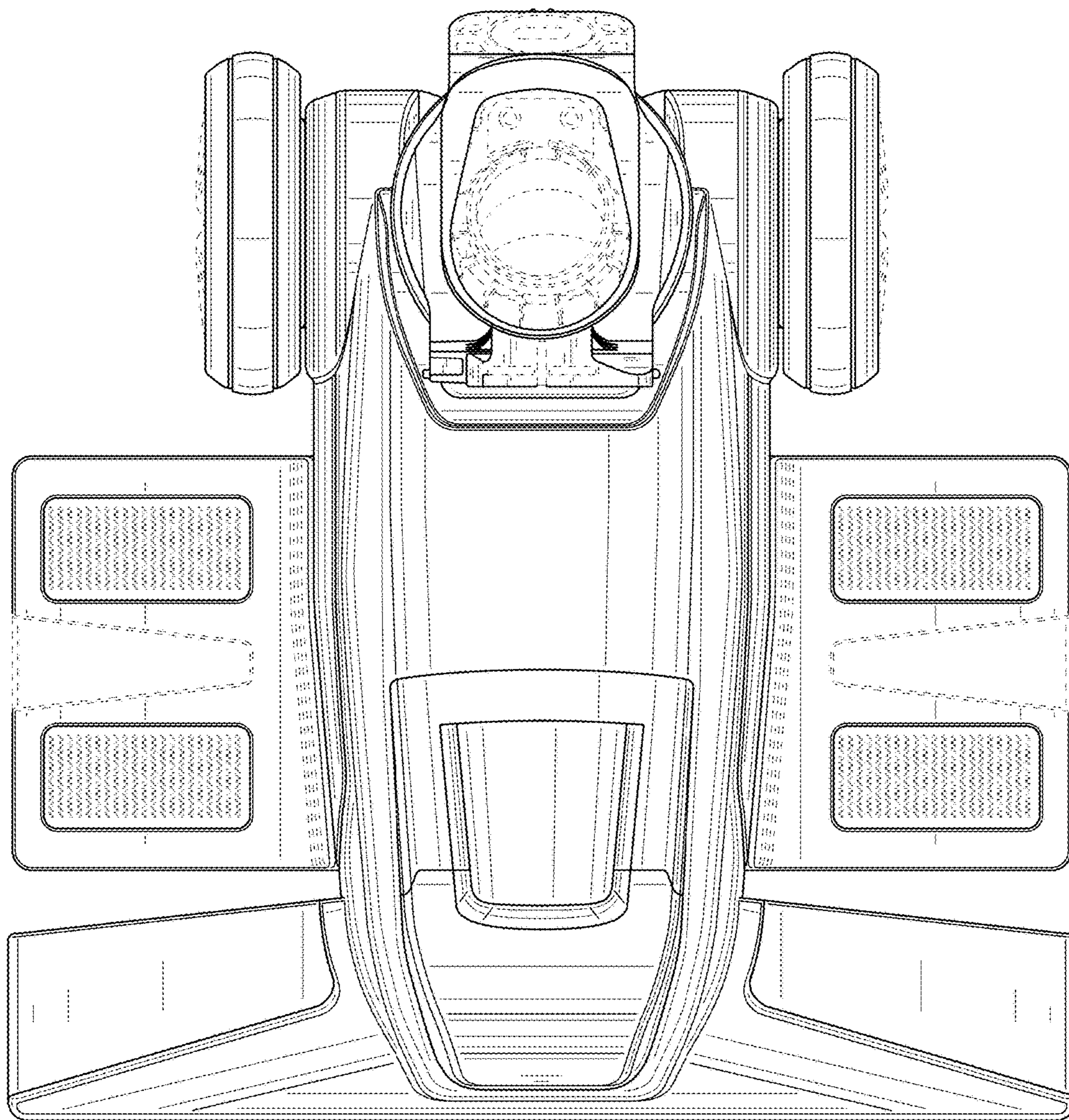


FIG. 6

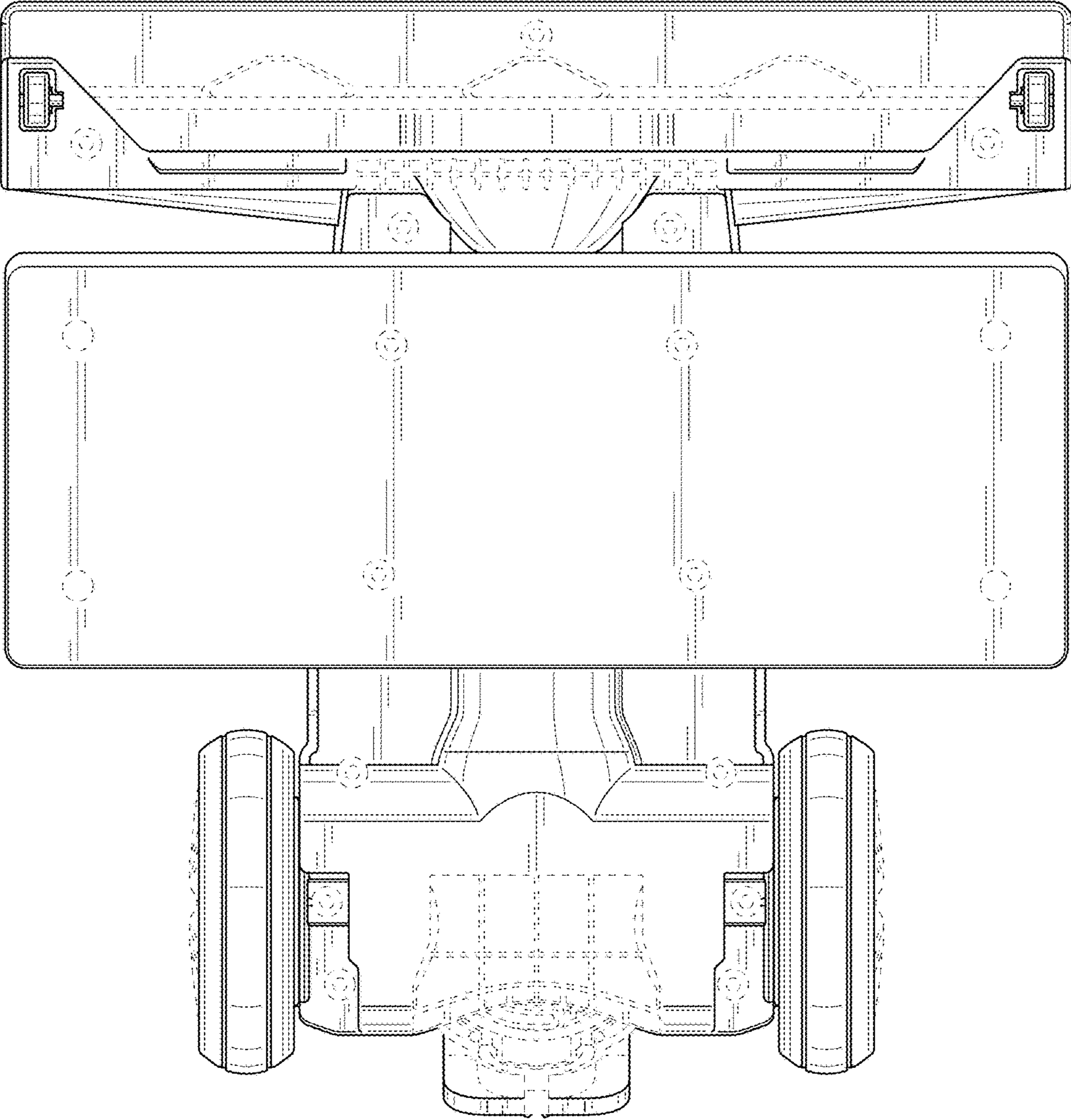


FIG. 7

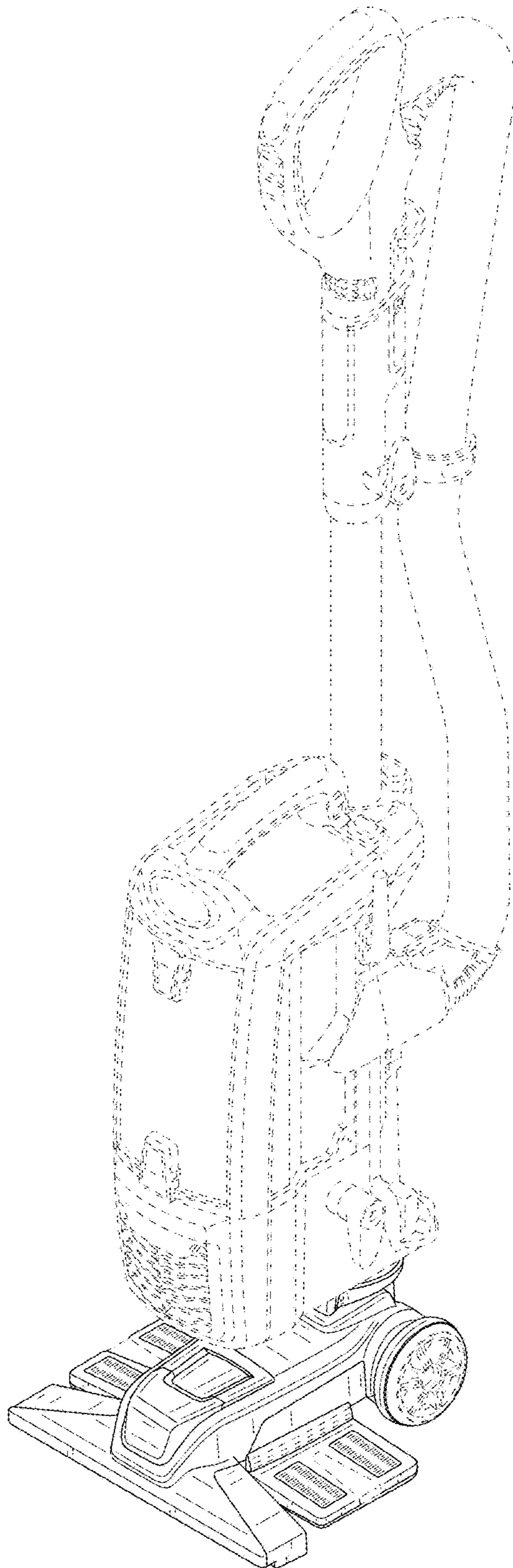


FIG. 8