



US00D773138S

(12) **United States Design Patent**  
**Miller et al.**

(10) **Patent No.:** **US D773,138 S**

(45) **Date of Patent:** **\*\* Nov. 29, 2016**

(54) **SURFACE CLEANER BASE**

(71) Applicant: **BISSELL Homecare, Inc.**, Grand Rapids, MI (US)

(72) Inventors: **David M. Miller**, Zeeland, MI (US);  
**Colin J. Bloemendaal**, Grand Rapids, MI (US)

(73) Assignee: **BISSELL Homecare, Inc.**, Grand Rapids, MI (US)

(\*\*) Term: **14 Years**

(21) Appl. No.: **29/525,980**

(22) Filed: **May 5, 2015**

(51) **LOC (10) Cl.** ..... **15-05**

(52) **U.S. Cl.**  
USPC ..... **D32/32**

(58) **Field of Classification Search**  
USPC ..... D32/25, 31-33  
CPC ..... A47L 9/02; A47L 9/06; A47L 5/28;  
A47L 5/24; A47L 11/4044; E04H 4/1654;  
E04H 4/34  
See application file for complete search history.

(56) **References Cited**

**U.S. PATENT DOCUMENTS**

D427,399 S	*	6/2000	Thur	.....	D32/33
D431,887 S	*	10/2000	Bradd	.....	D32/33
D506,048 S	*	6/2005	Downey	.....	D32/32
D506,586 S	*	6/2005	Carr	.....	D32/32
D513,351 S	*	12/2005	Archer	.....	D32/32

D564,157 S	*	3/2008	Seon	.....	D32/32
D570,568 S	*	6/2008	Paredes	.....	D32/32
D571,066 S	*	6/2008	Luebbering	.....	D32/32
D597,267 S	*	7/2009	Santiago	.....	D32/32
D622,461 S	*	8/2010	Hill	.....	D32/32
D623,368 S	*	9/2010	Benacquisto	.....	D32/32
D685,150 S	*	6/2013	Raven	.....	D32/32
D687,197 S	*	7/2013	Santiago	.....	D32/32
D687,198 S	*	7/2013	Santiago	.....	D32/32
D688,014 S	*	8/2013	Santiago	.....	D32/32
D704,401 S	*	5/2014	Kim	.....	D32/32
D707,903 S	*	6/2014	Raven	.....	D32/32
D720,104 S	*	12/2014	Santiago	.....	D32/32
D738,055 S	*	9/2015	Luedke	.....	D32/32
D751,779 S	*	3/2016	Smith	.....	D32/32

\* cited by examiner

*Primary Examiner* — Ruth McInroy

(74) *Attorney, Agent, or Firm* — McGarry Bair PC

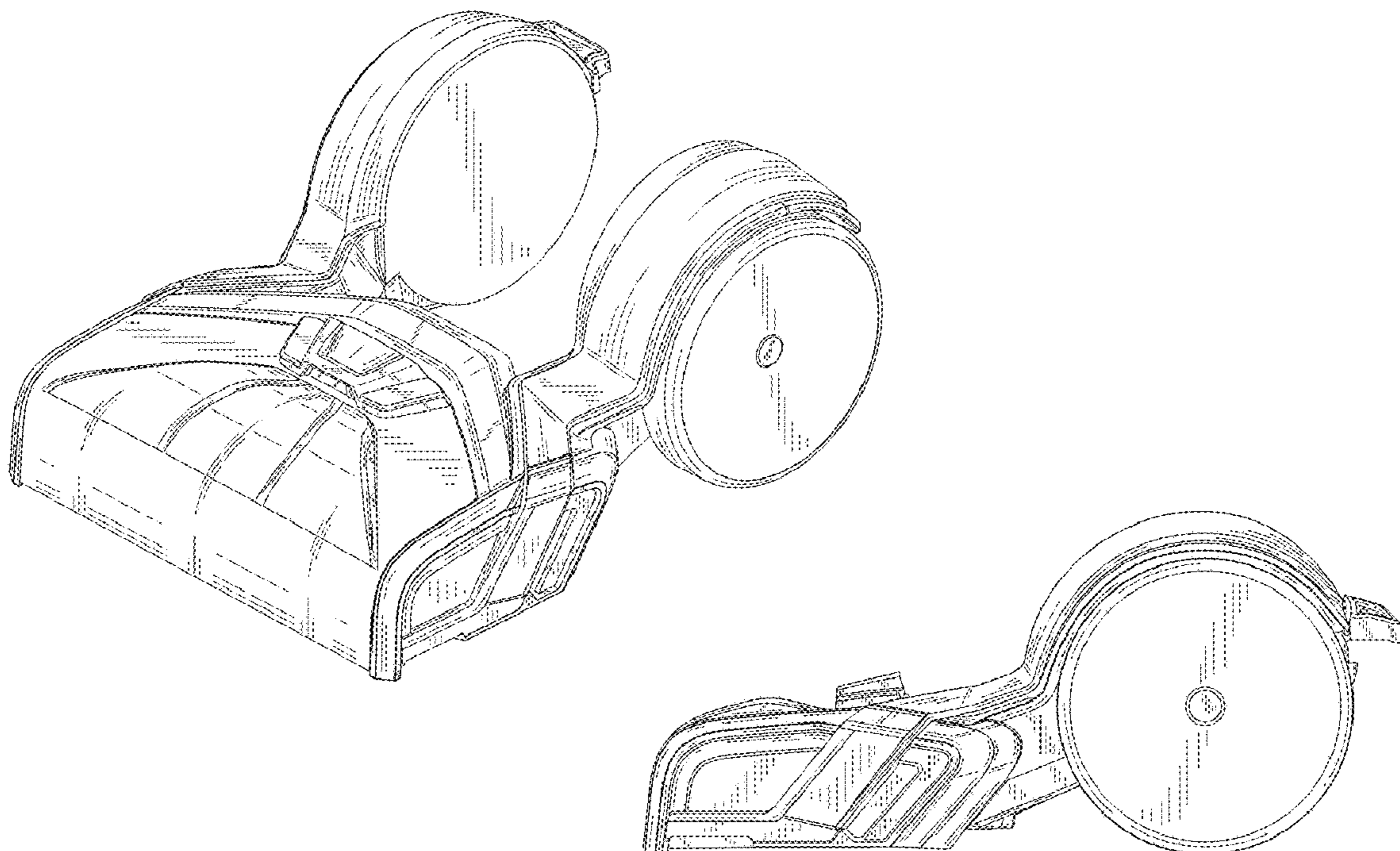
(57) **CLAIM**

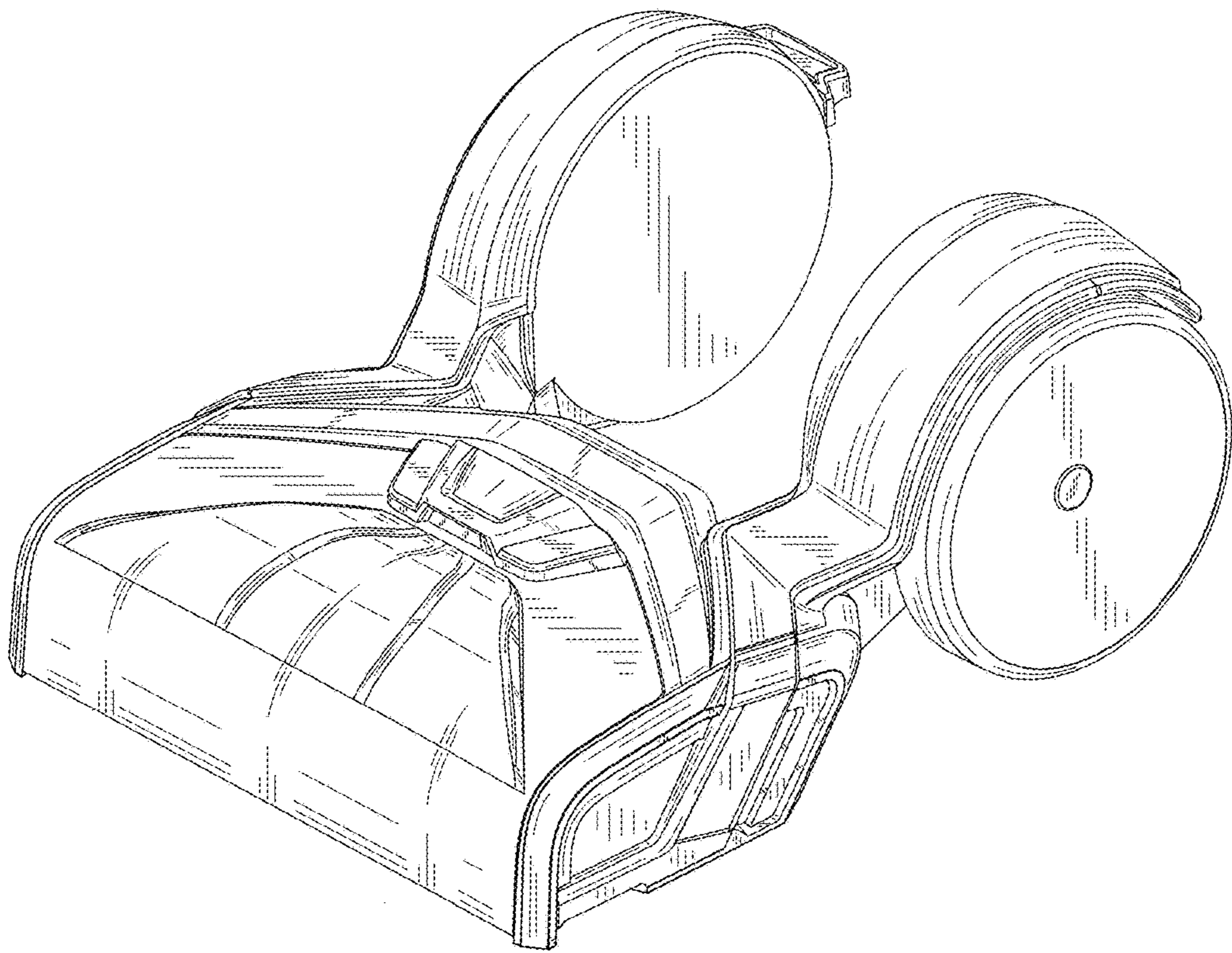
The ornamental design for a surface cleaner base, as shown and described.

**DESCRIPTION**

FIG. 1 is a front, right perspective view of a surface cleaner base showing our new design;  
FIG. 2 is a front view thereof;  
FIG. 3 is a rear view thereof;  
FIG. 4 is a left side view thereof;  
FIG. 5 is a right side view thereof; and,  
FIG. 6 is a top view thereof.  
The detail shown in broken lines in FIG. 3 forms no part of the claimed design.

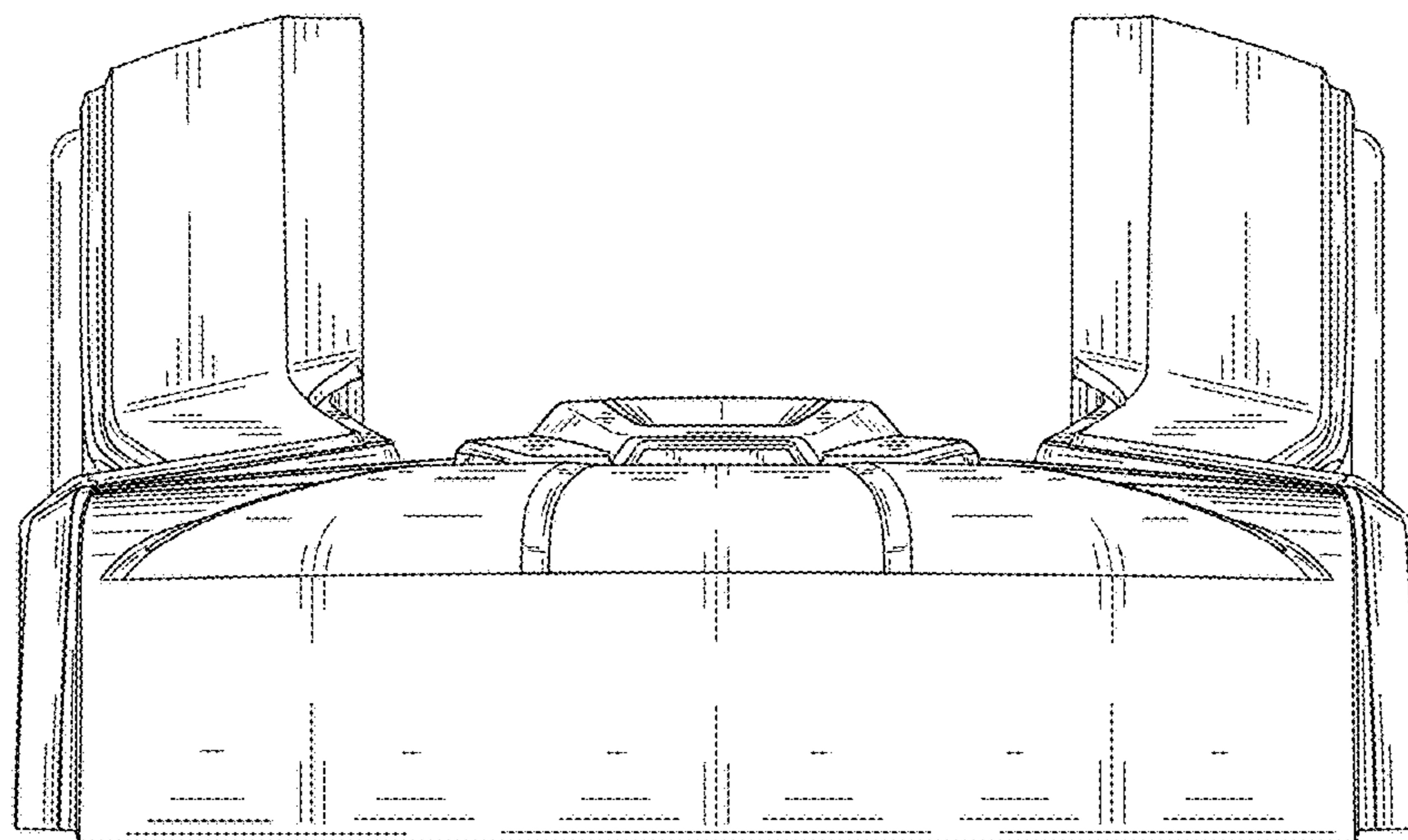
**1 Claim, 4 Drawing Sheets**



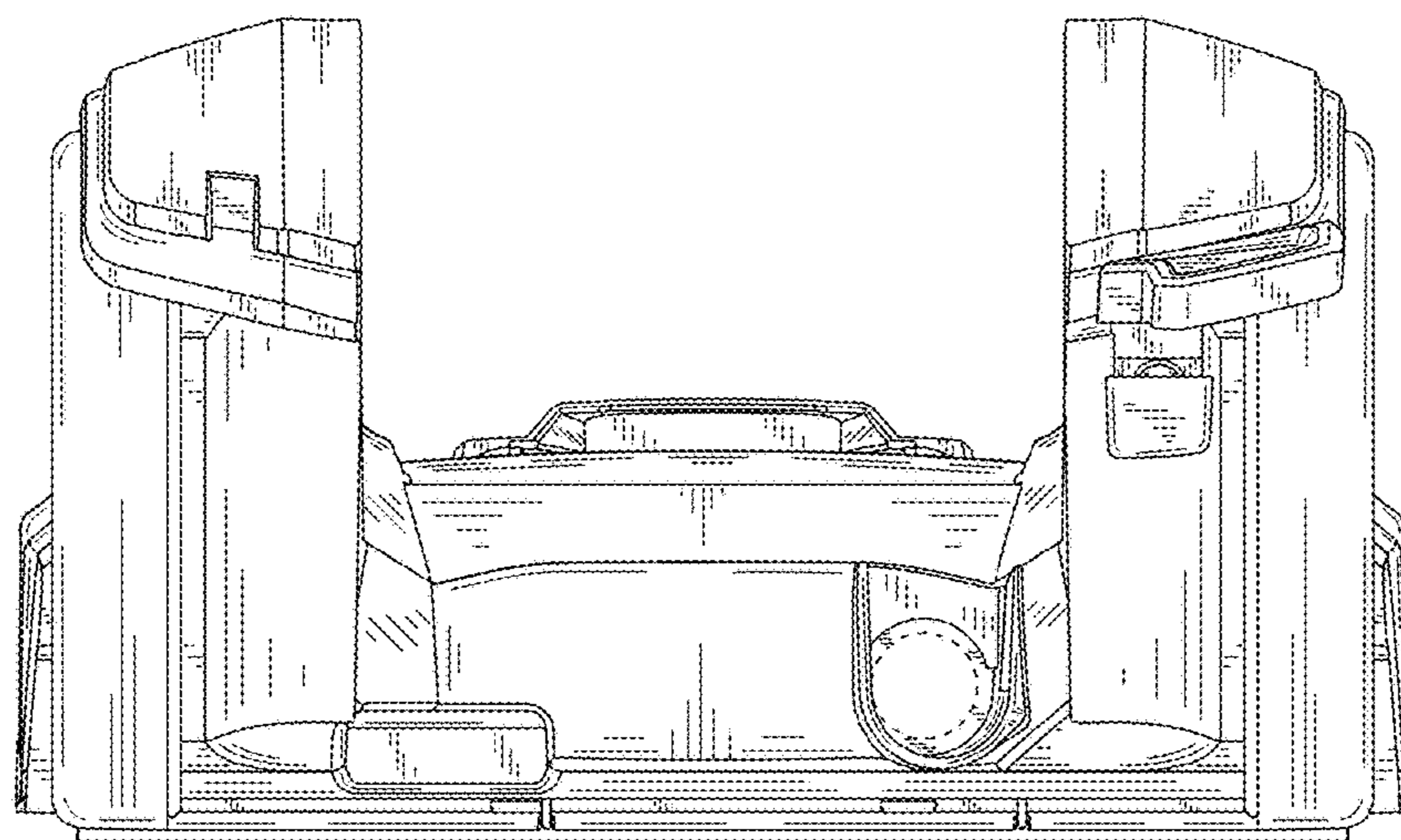


**FIG. 1**

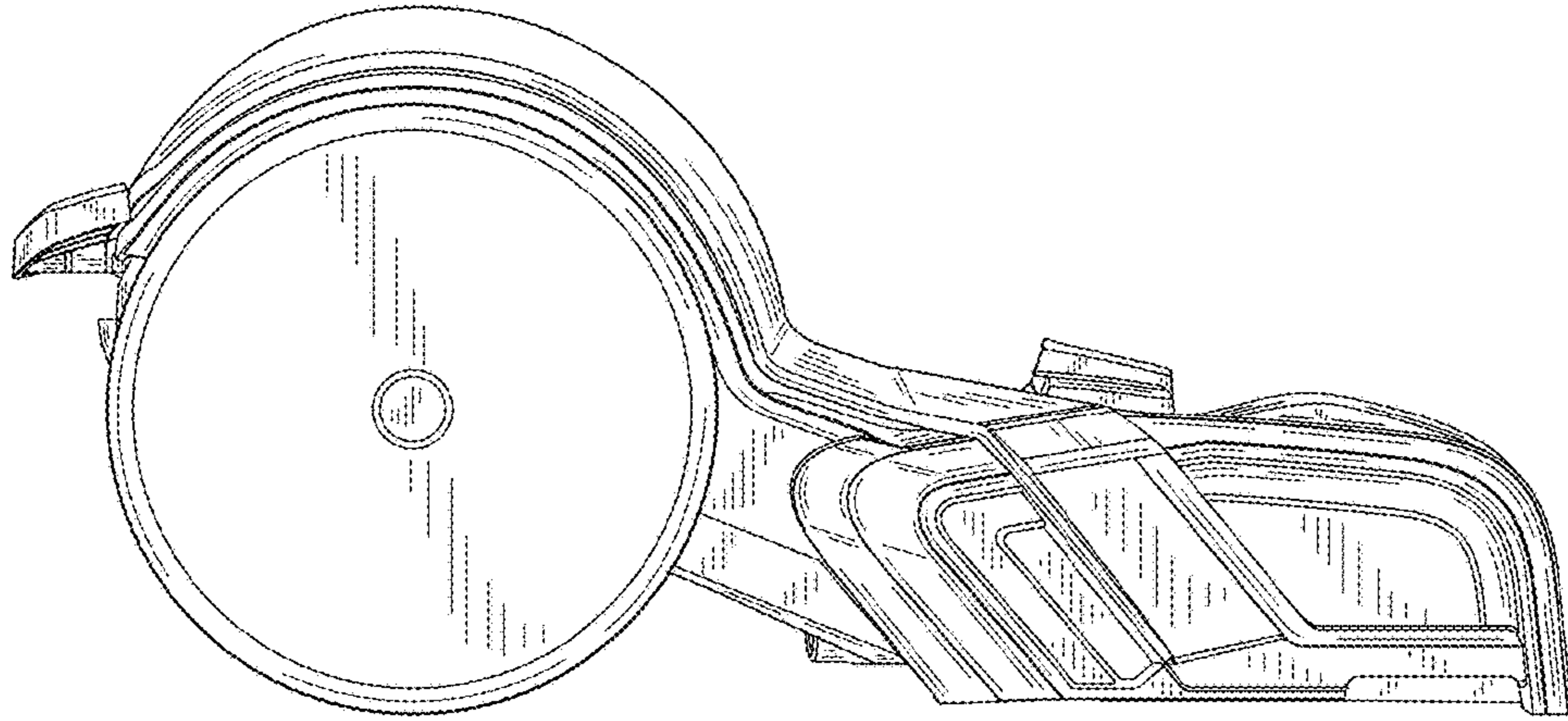




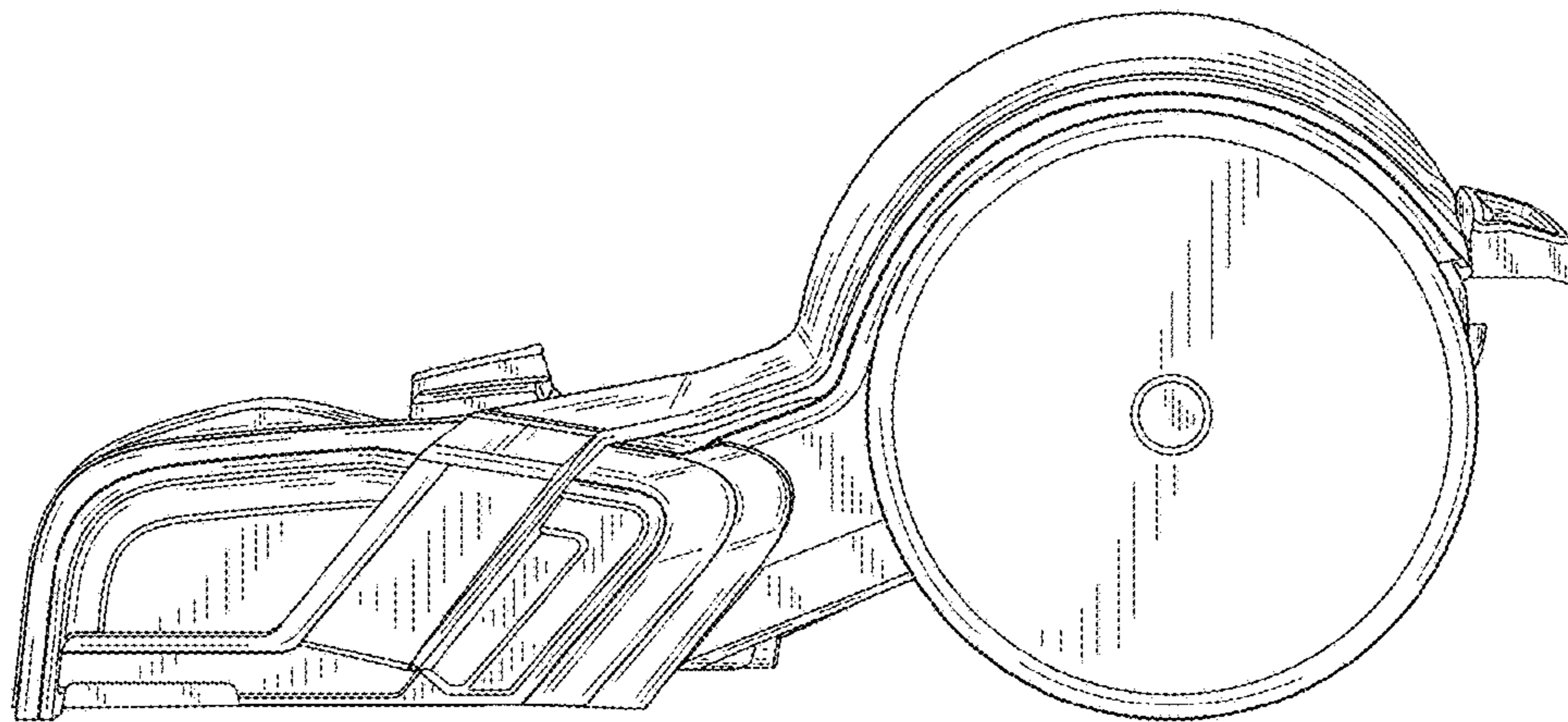
**FIG. 2**



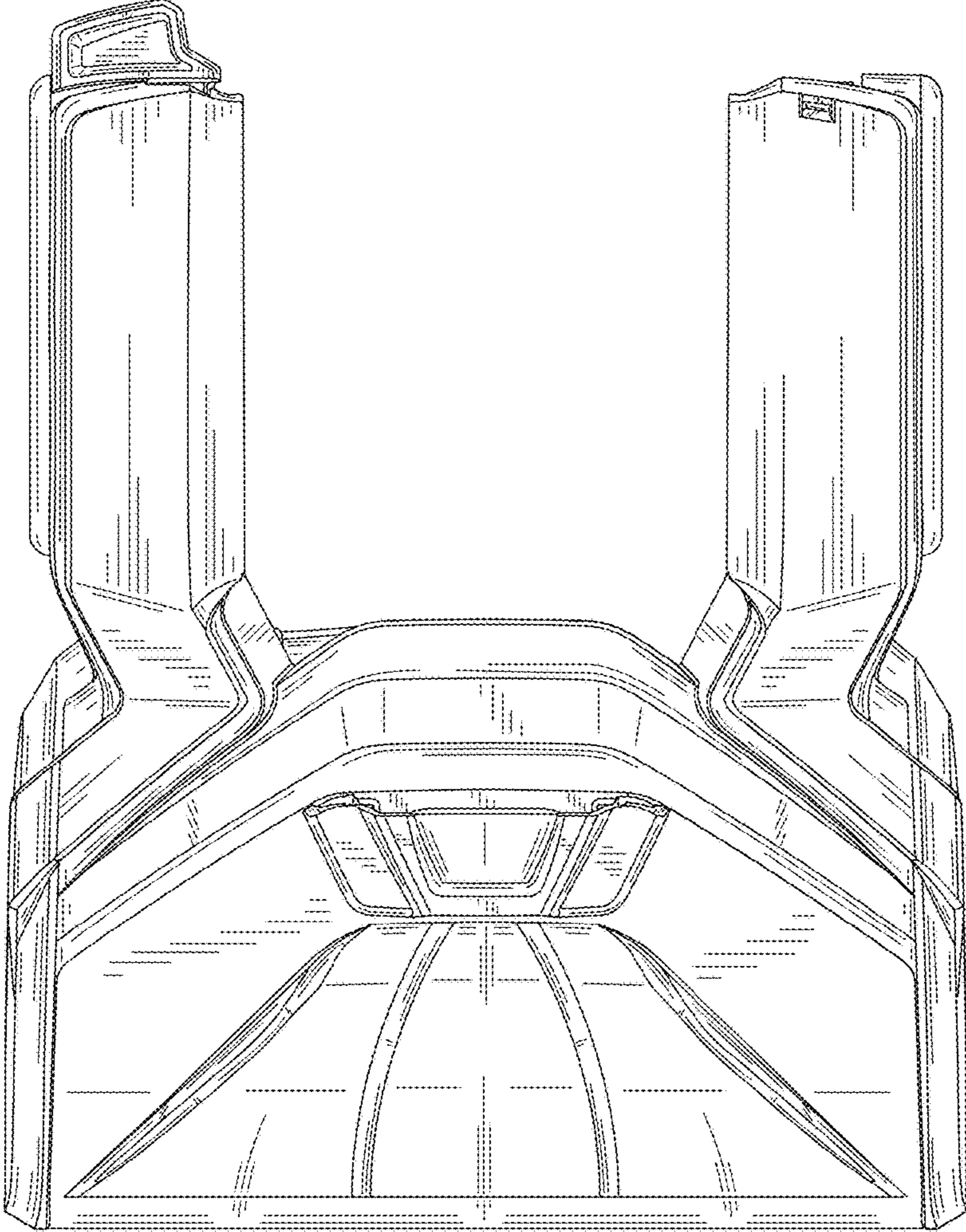
**FIG. 3**



**FIG. 4**



**FIG. 5**



**FIG. 6**