



US00D773137S

(12) **United States Design Patent**
Niedzwecki et al.

(10) **Patent No.:** **US D773,137 S**

(45) **Date of Patent:** **** Nov. 29, 2016**

(54) **HAND TOOL**

(71) Applicant: **SharkNinja Operating LLC**, Newton, MA (US)

(72) Inventors: **Scott Niedzwecki**, East Walpole, MA (US); **Owen Johnson**, Needham, MA (US)

(73) Assignee: **SharkNinja Operating LLC**, Newton, MA (US)

(**) Term: **14 Years**

(21) Appl. No.: **29/496,056**

(22) Filed: **Jul. 9, 2014**

(51) **LOC (10) Cl.** **15-05**

(52) **U.S. Cl.**
USPC **D32/32**

(58) **Field of Classification Search**
USPC D32/31-33, 40, 50, 25
CPC A47L 11/4044; A47L 9/02; A47L 13/12;
A47L 13/20; A47L 1/08; A47K 7/02
See application file for complete search history.

(56) **References Cited**

U.S. PATENT DOCUMENTS

D419,733 S *	1/2000	Medema	D32/32
D515,756 S *	2/2006	Allard	D32/32
D520,695 S *	5/2006	Dyson	D32/33
D537,219 S *	2/2007	Adams	D32/32
D590,112 S *	4/2009	Sun	D32/32
D590,113 S *	4/2009	Benacquisto	D32/32

D602,217 S *	10/2009	Osborn	D32/32
D679,878 S *	4/2013	Chudleigh	D32/33
2010/0223753 A1 *	9/2010	Knox	A47L 9/0477 15/363

* cited by examiner

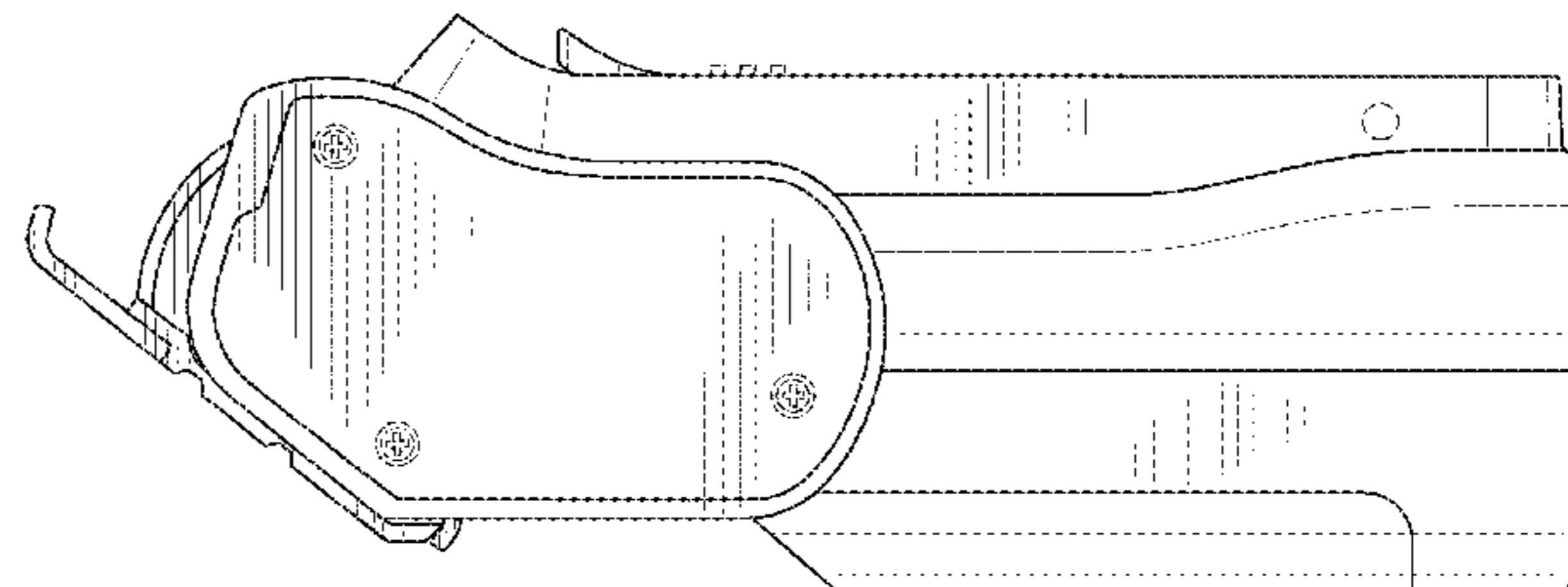
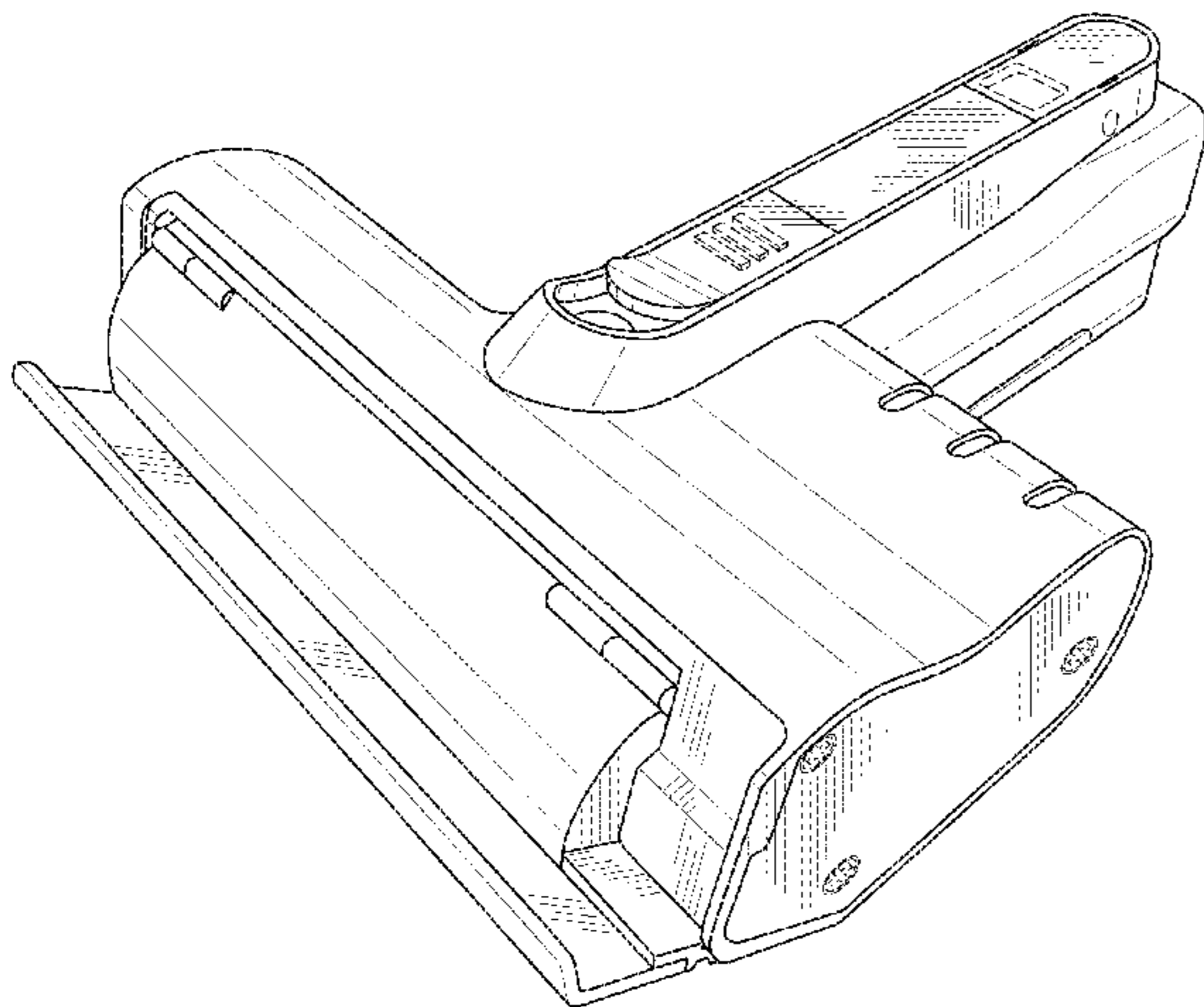
Primary Examiner — Ruth McInroy
(74) *Attorney, Agent, or Firm* — Grossman Tucker Perreault & Pfleger, PLLC

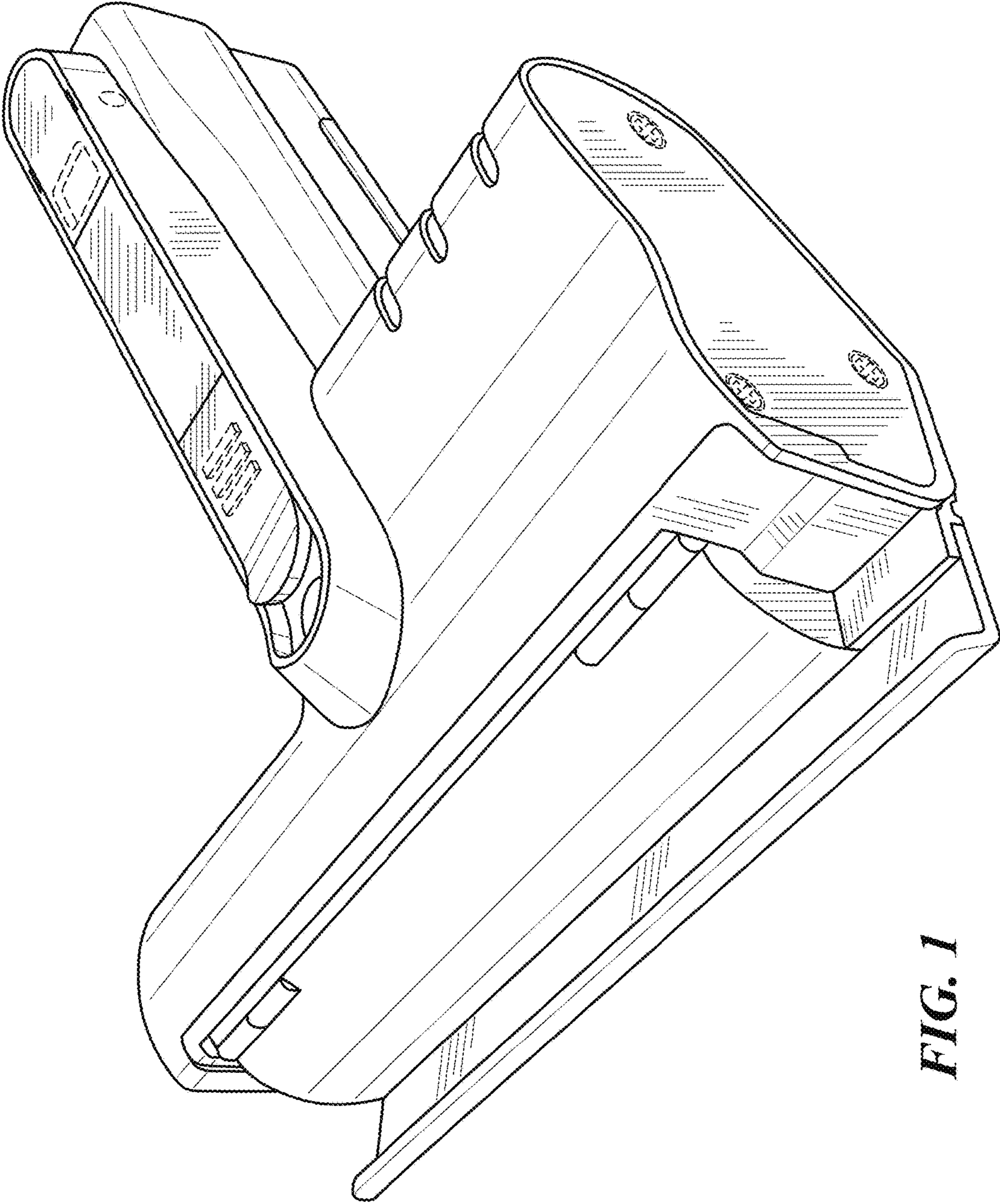
(57) **CLAIM**
The ornamental design for a hand tool, as shown and described.

DESCRIPTION

FIG. 1 is a perspective view of the hand tool of this invention;
FIG. 2 is a top view of the hand tool of this invention;
FIG. 3 is a bottom view of the hand tool of this invention;
FIG. 4 is a view of the right side of the hand tool of this invention;
FIG. 5 is a view of the left side of the hand tool of this invention;
FIG. 6 is a front view of the hand tool of this invention;
FIG. 7 is a rear view of the hand tool of this invention;
FIG. 8 is a perspective view thereof in an alternate position;
FIG. 9 is a top view of FIG. 8;
FIG. 10 is a bottom view of FIG. 8; and
FIG. 11 is a right side view of FIG. 8.
FIG. 12 is a view of the left side of the hand tool of this invention in the alternate configuration;
FIG. 13 is a front view of the hand tool of this invention in the alternate configuration; and,
FIG. 14 is a rear view of the hand tool of this invention in the alternate configuration.
The dashed lines are for illustrative purposes only and form no part of the claimed design.

1 Claim, 12 Drawing Sheets





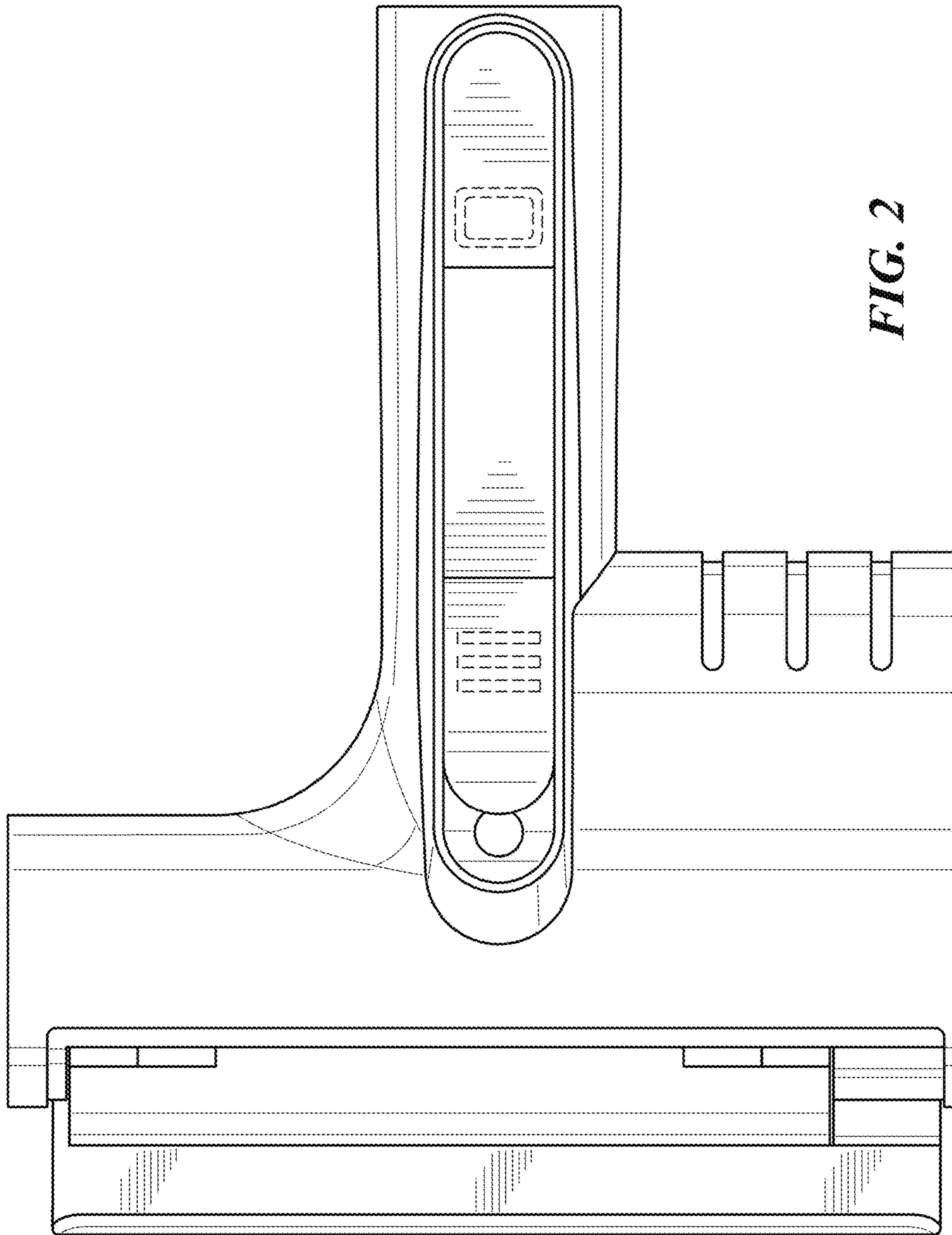
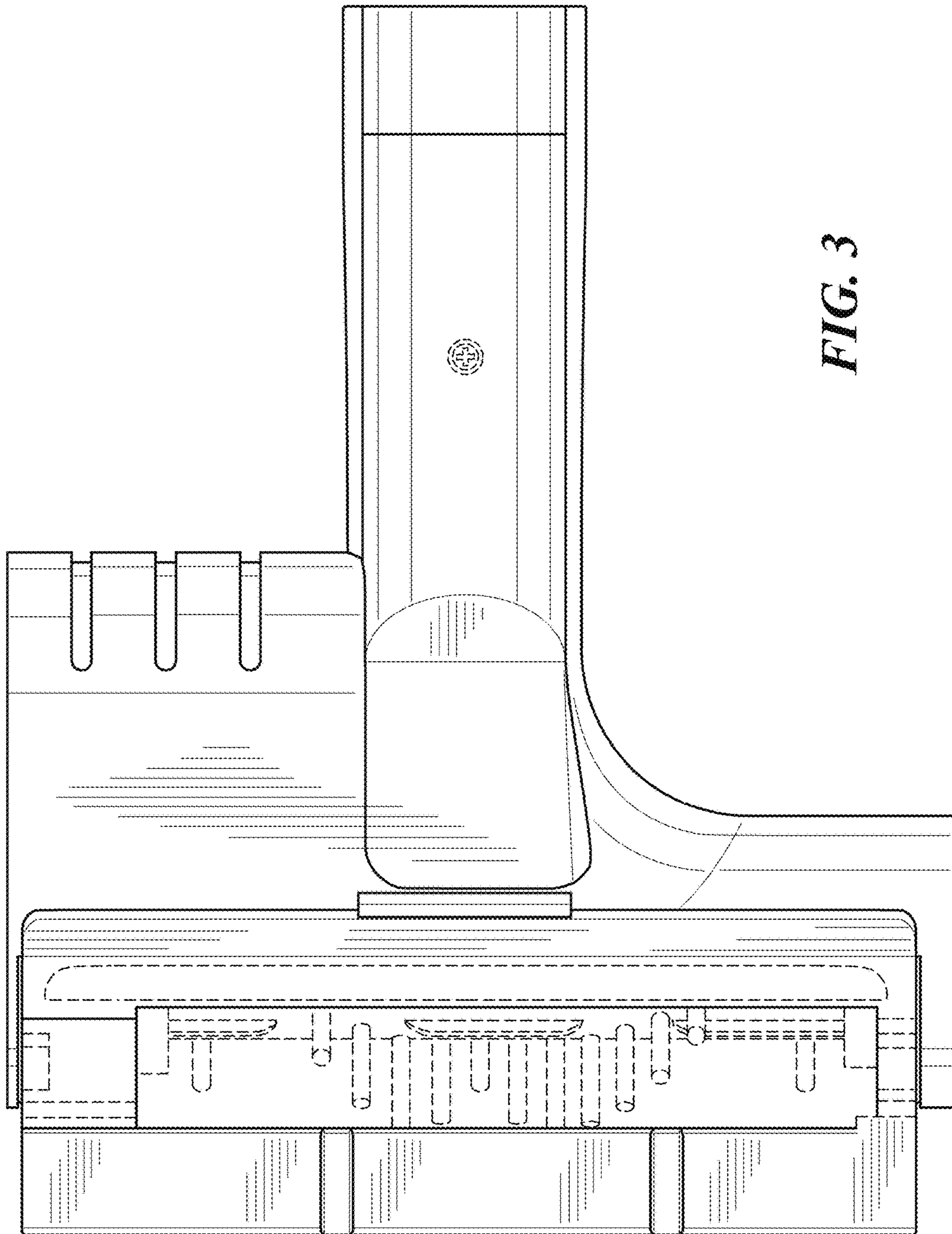


FIG. 2



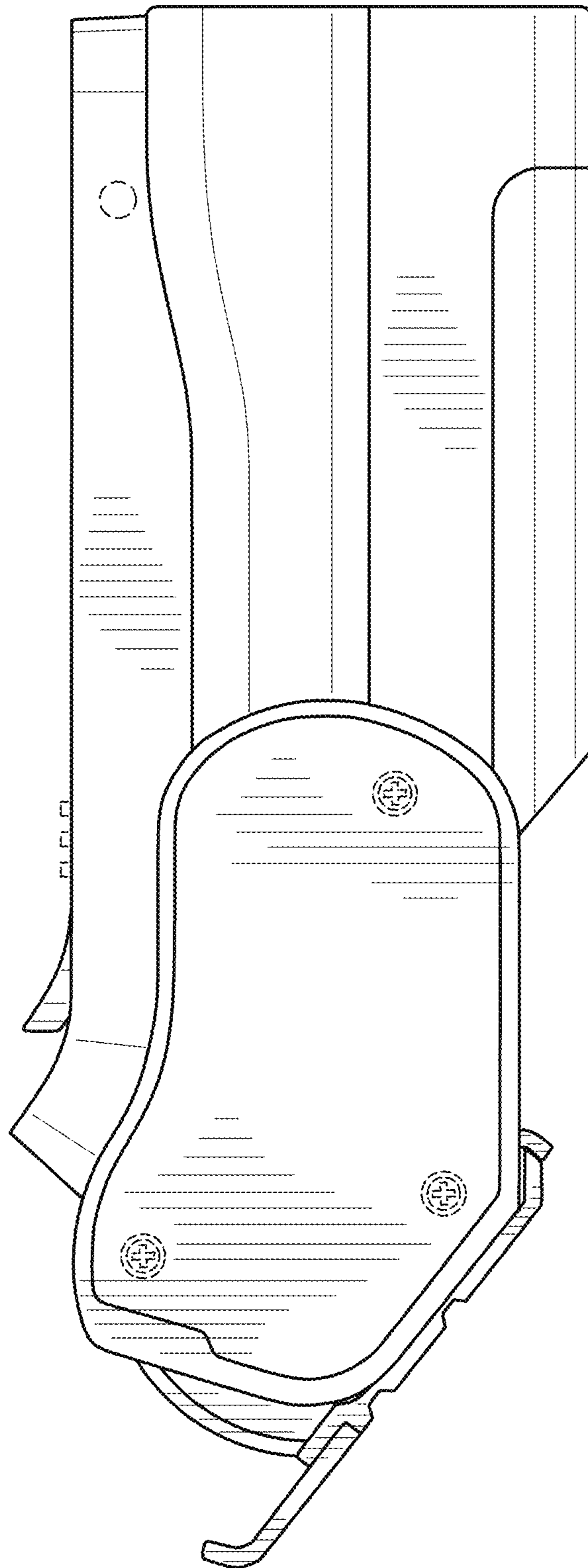


FIG. 4

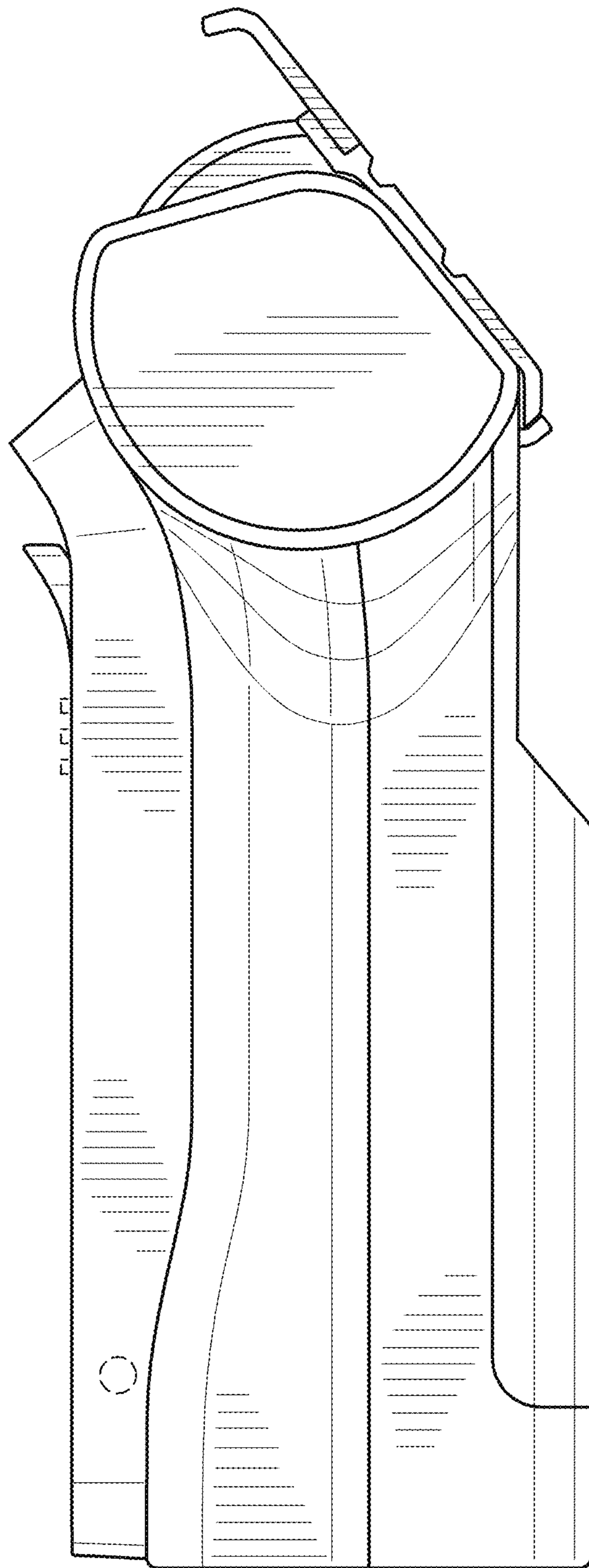


FIG. 5

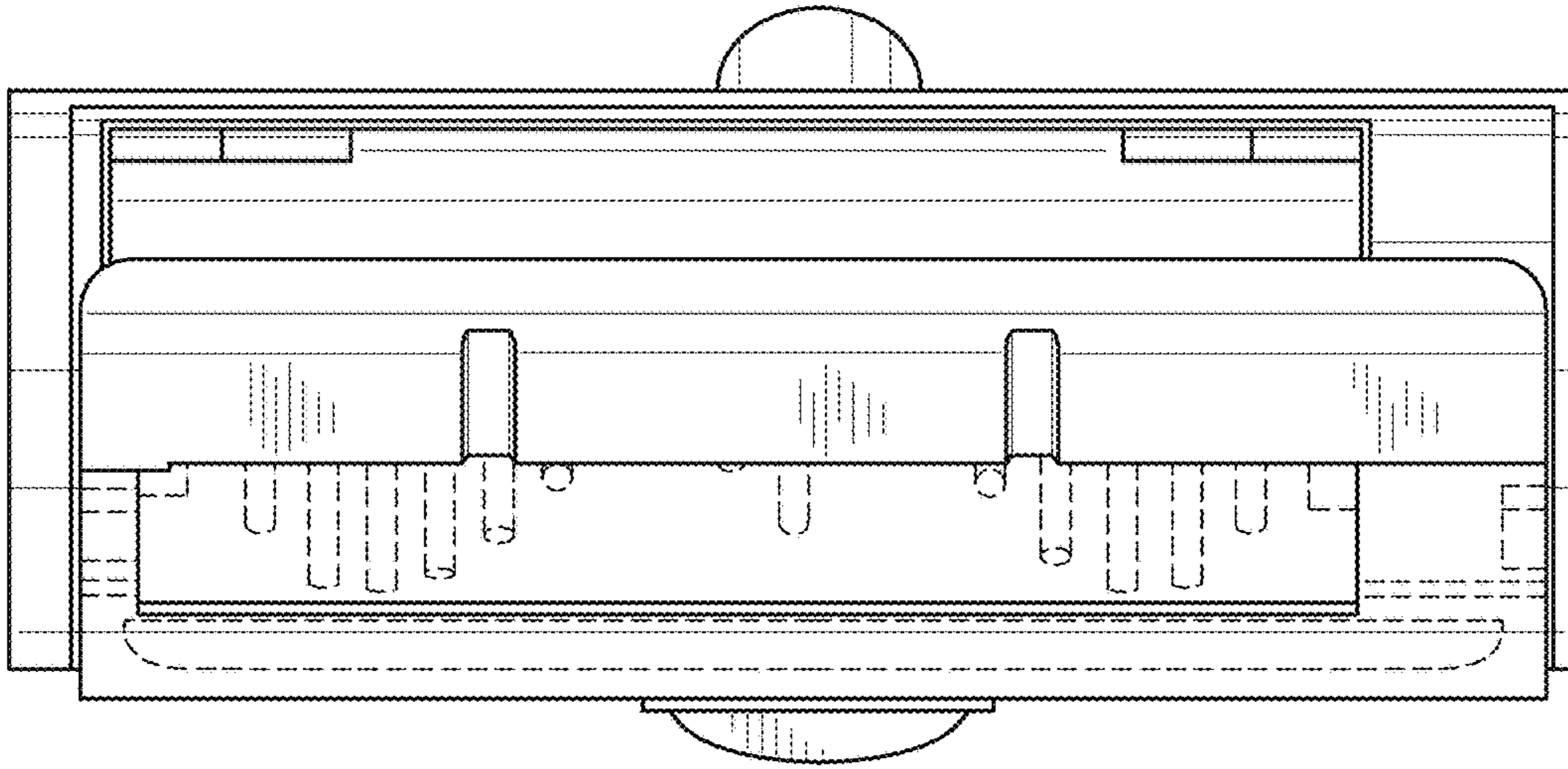


FIG. 6

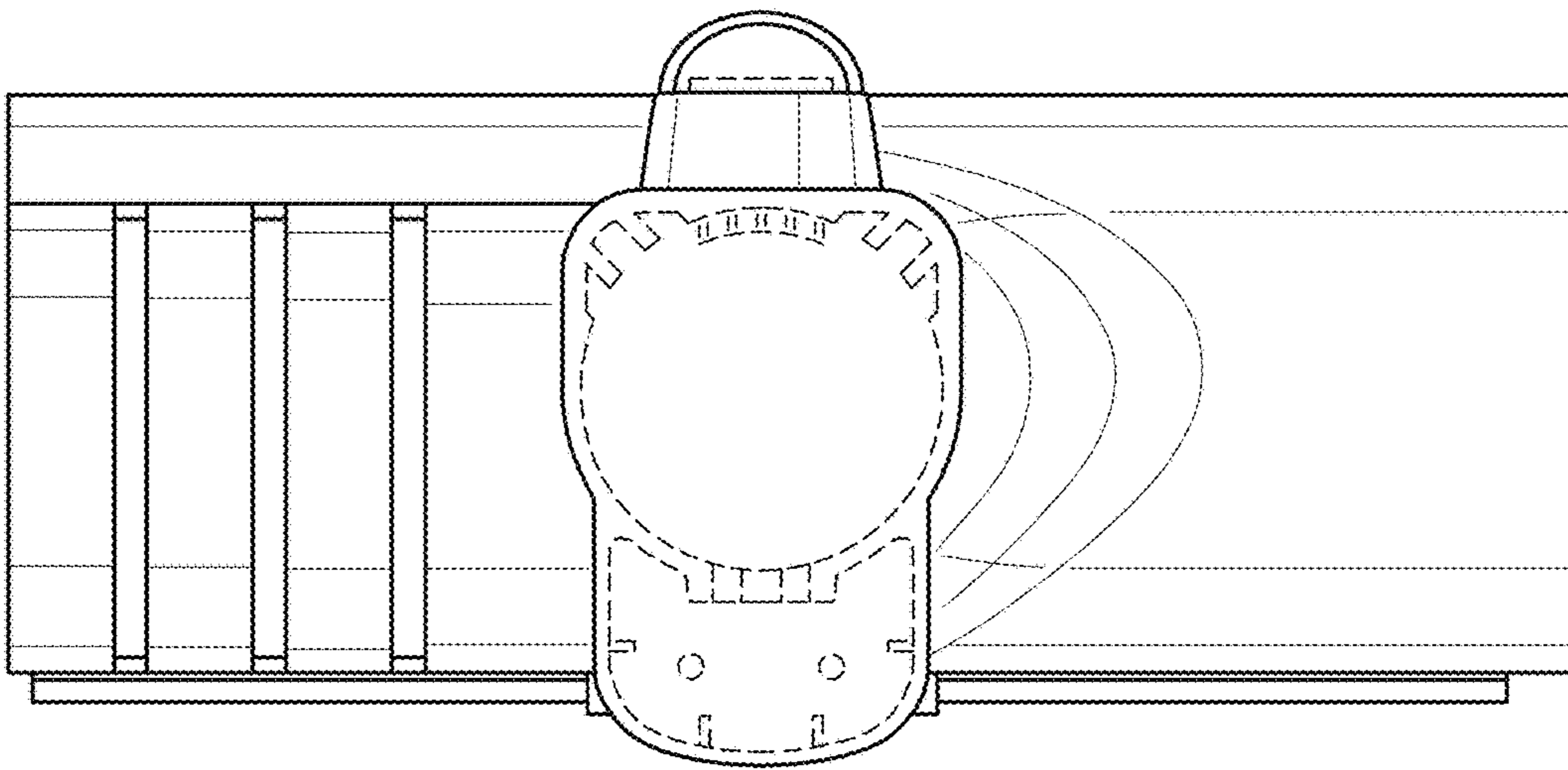


FIG. 7

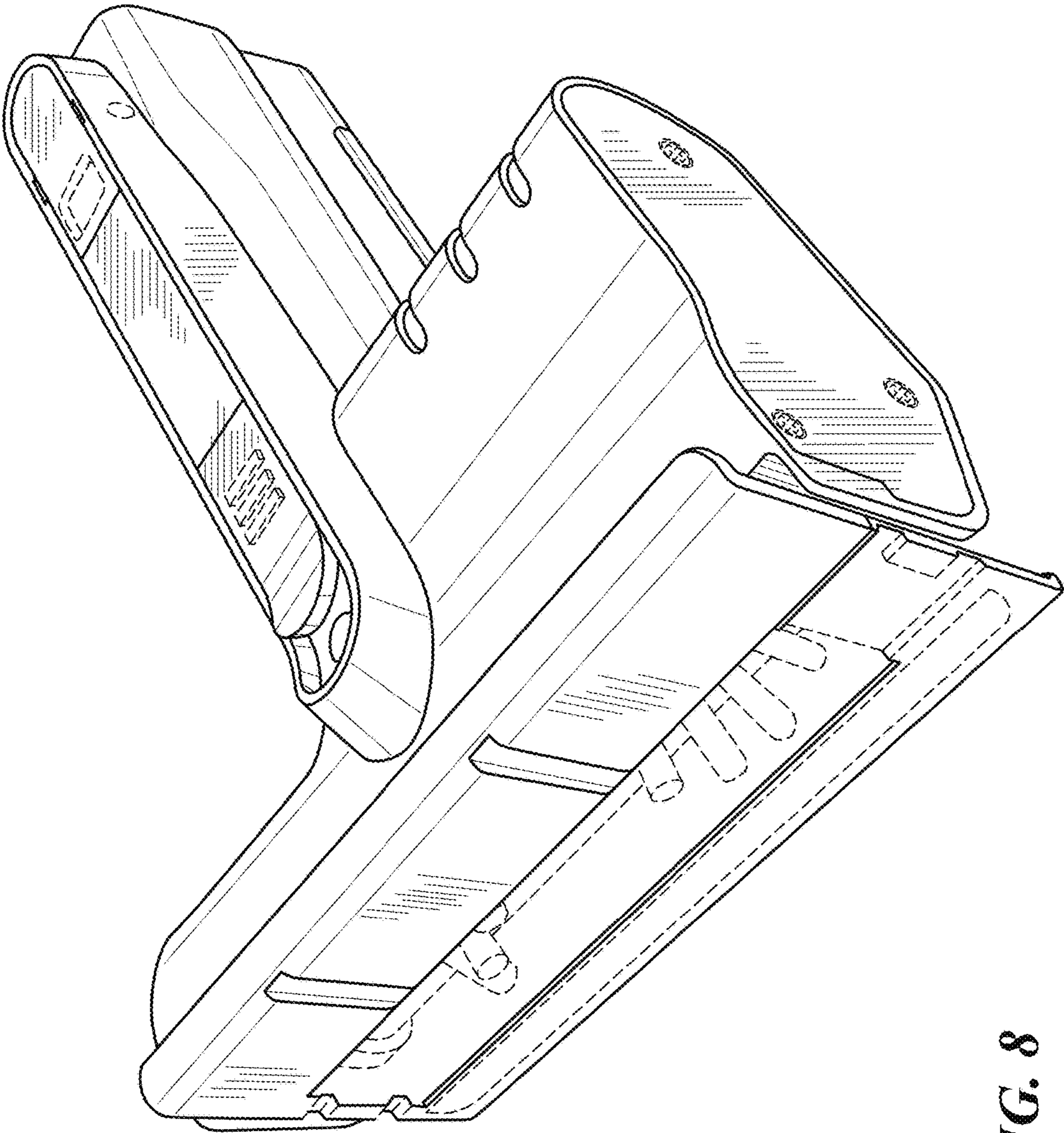


FIG. 8

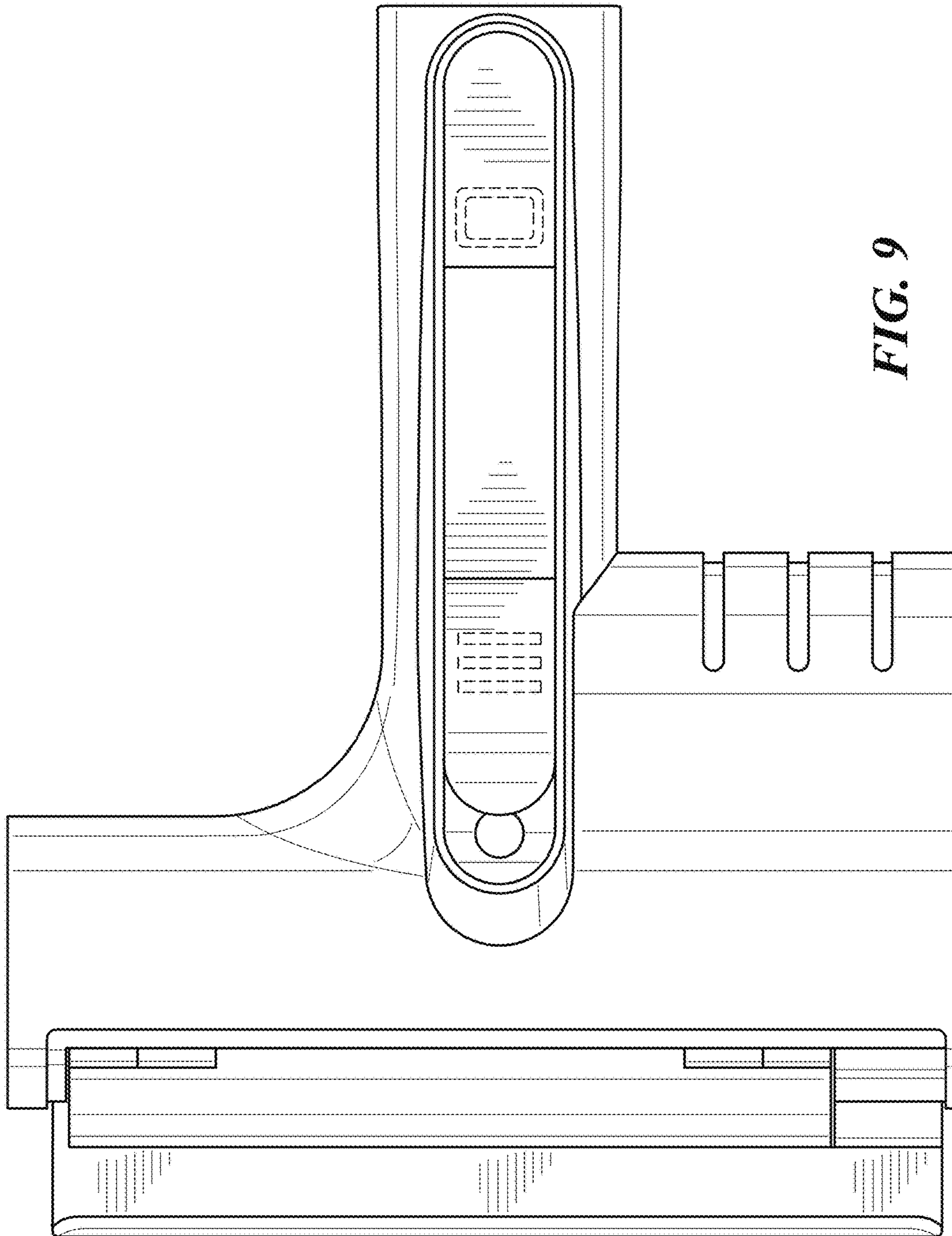


FIG. 9

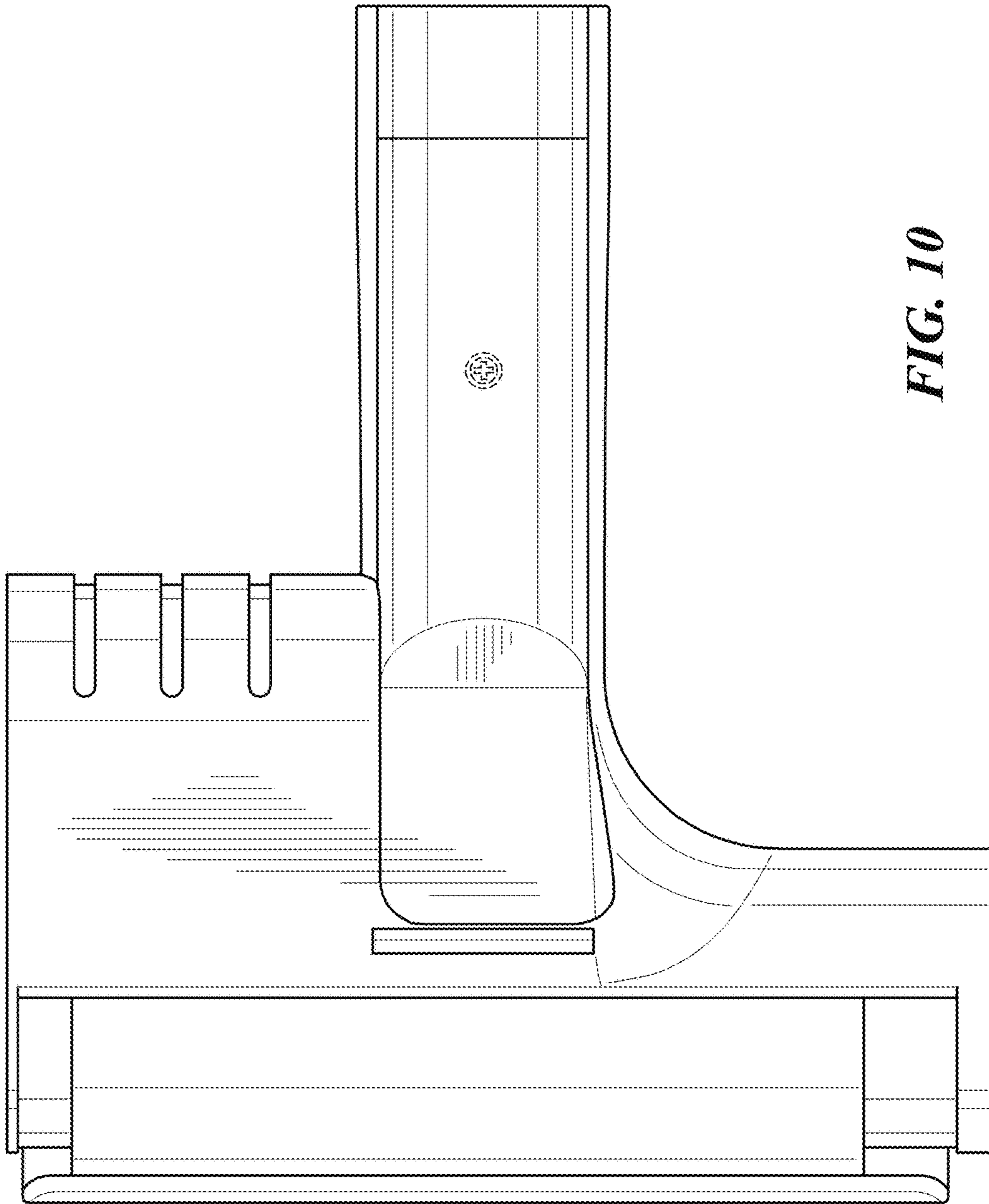


FIG. 10

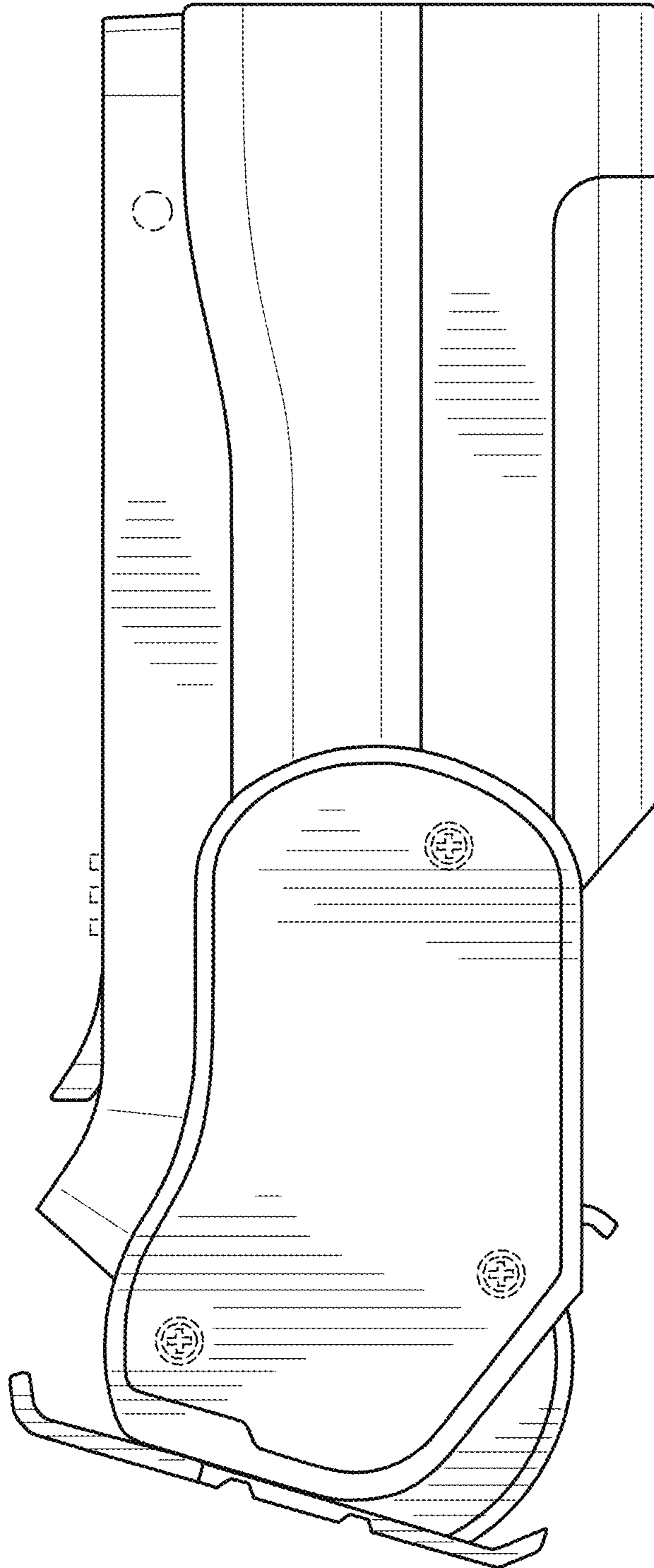


FIG. 11

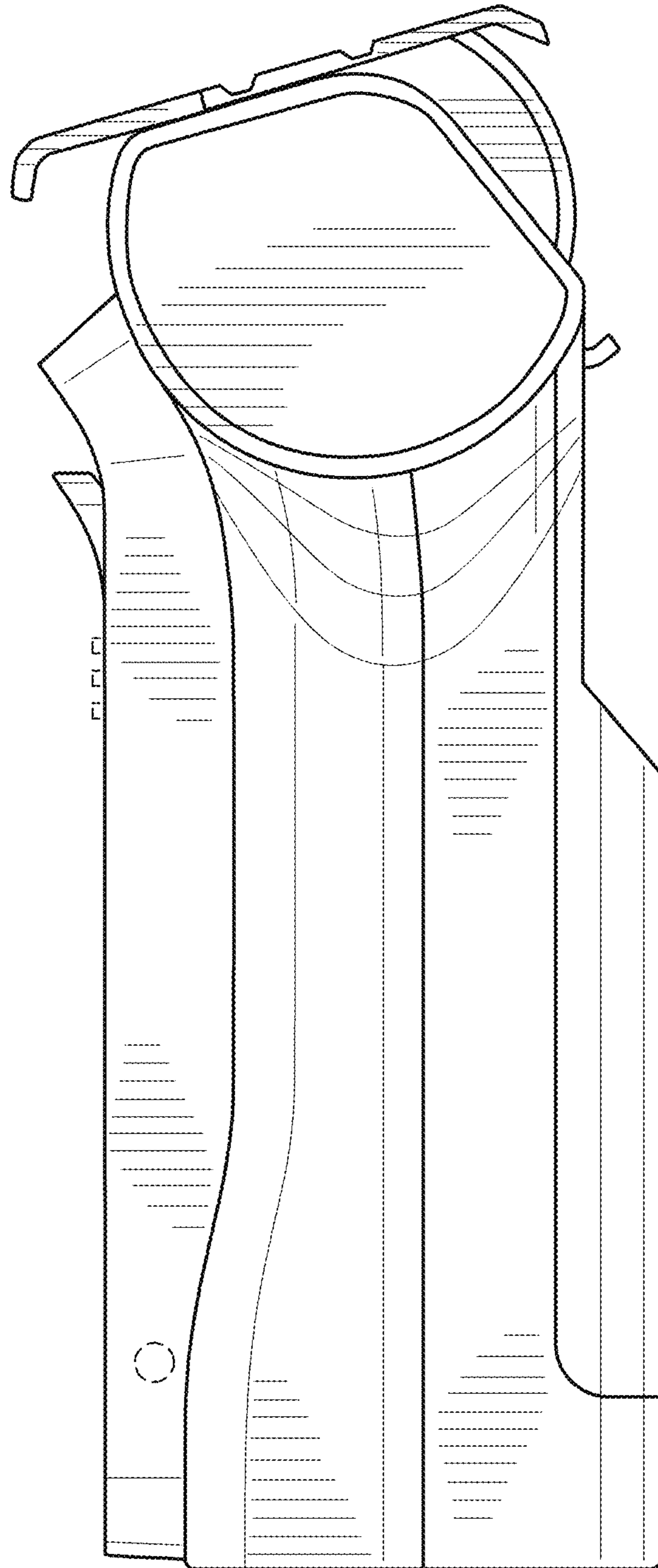


FIG. 12

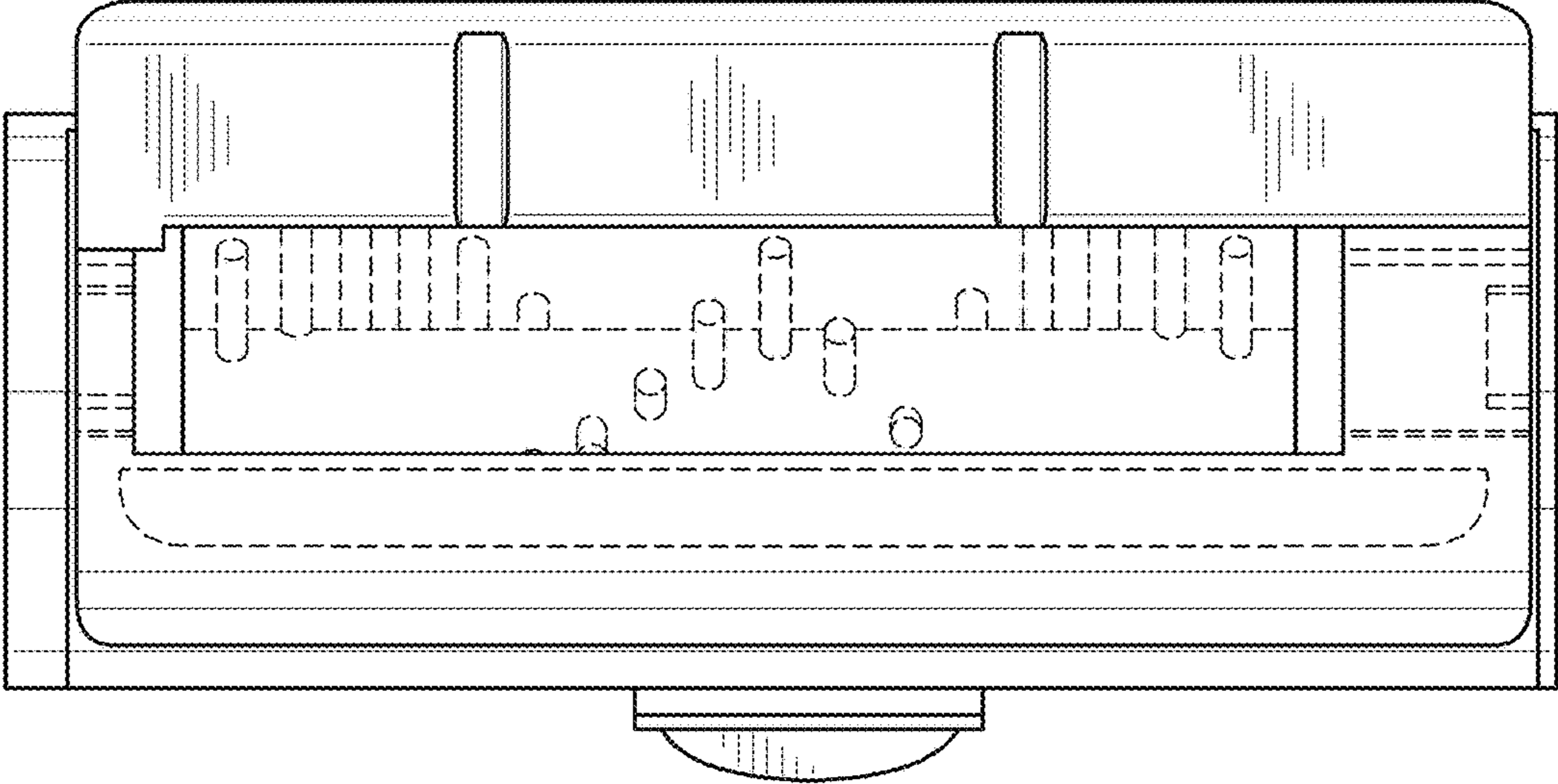


FIG. 13

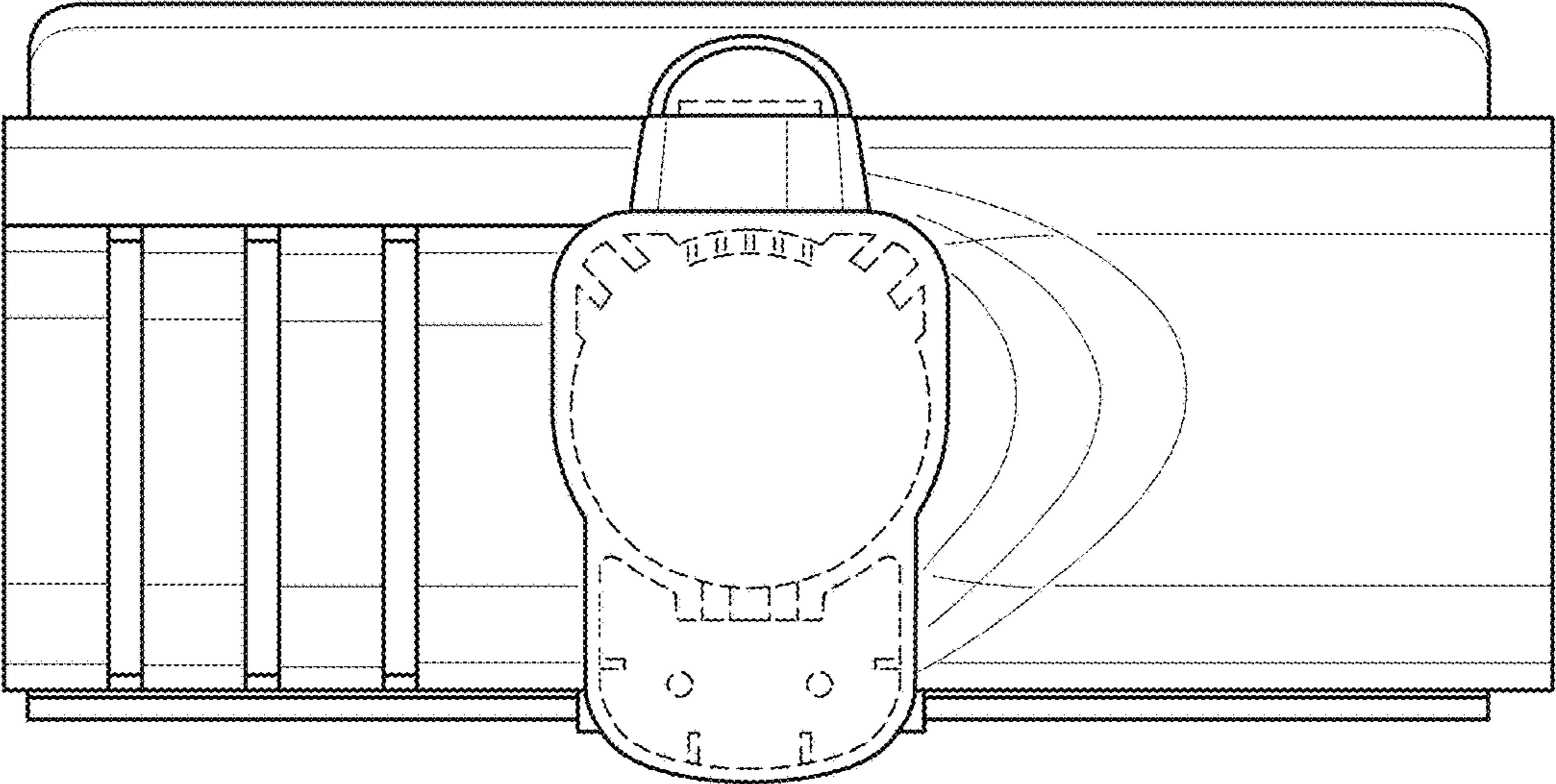


FIG. 14