



US00D773136S

(12) **United States Design Patent** (10) **Patent No.:** **US D773,136 S**
Fuller et al. (45) **Date of Patent:** **** Nov. 29, 2016**

(54) **ARTICULATING VACUUM ATTACHMENT**

(71) Applicant: **Gulfstream Aerospace Corporation**, Savannah, GA (US)

(72) Inventors: **Mark Fuller**, Savannah, GA (US); **Sean Taylor**, Savannah, GA (US)

(73) Assignee: **Gulfstream Aerospace Corporation**, Savannah, GA (US)

(**) Term: **14 Years**

(21) Appl. No.: **29/526,093**

(22) Filed: **May 6, 2015**

(51) **LOC (10) Cl.** **15-05**

(52) **U.S. Cl.**
USPC **D32/31**

(58) **Field of Classification Search**
USPC D32/25, 31-33
CPC A47L 9/02; A47L 9/06; A47L 9/1666;
A47L 5/28; A47L 5/24; A47L 11/4044;
A47L 5/362; E04H 4/1654; E04H 4/34
See application file for complete search history.

(56) **References Cited**

U.S. PATENT DOCUMENTS

D301,177 S *	5/1989	Von Bischoffshausen	...	D32/31
5,056,187 A *	10/1991	Higgins	E04D 13/0765 15/236.04
5,195,209 A *	3/1993	Watkins	A47L 5/36 15/327.5
D368,996 S *	4/1996	Boyer	D32/32
5,586,360 A *	12/1996	Diederiks, Jr.	A47L 9/02 15/410
D384,453 S *	9/1997	Bartz	D32/31
D576,365 S *	9/2008	Wishney	D32/32
D622,016 S *	8/2010	Hofmann-Kay	D32/32
7,917,992 B2 †	4/2011	McIntyre		
D659,922 S *	5/2012	Krohmer	D32/31
D681,895 S *	5/2013	Heffernan	D32/32

2001/0042284 A1 *	11/2001	Gutry	A47L 9/02 15/414
2005/0055794 A1 *	3/2005	Marshall	A47L 5/225 15/353
2008/0022487 A1 *	1/2008	Young	A47L 7/0009 15/414
2009/0188067 A1 *	7/2009	White	A47L 9/02 15/246.2
2010/0088845 A1 *	4/2010	Kwon	A47L 9/248 15/415.1
2011/0131748 A1 *	6/2011	Grottodden	A47L 7/0014 15/246.2
2015/0373922 A1 *	12/2015	Romito	A47L 9/02 15/405

* cited by examiner
† cited by third party

Primary Examiner — Ruth McInroy

(74) *Attorney, Agent, or Firm* — Lorez & Kopf, LLP (LK Global)

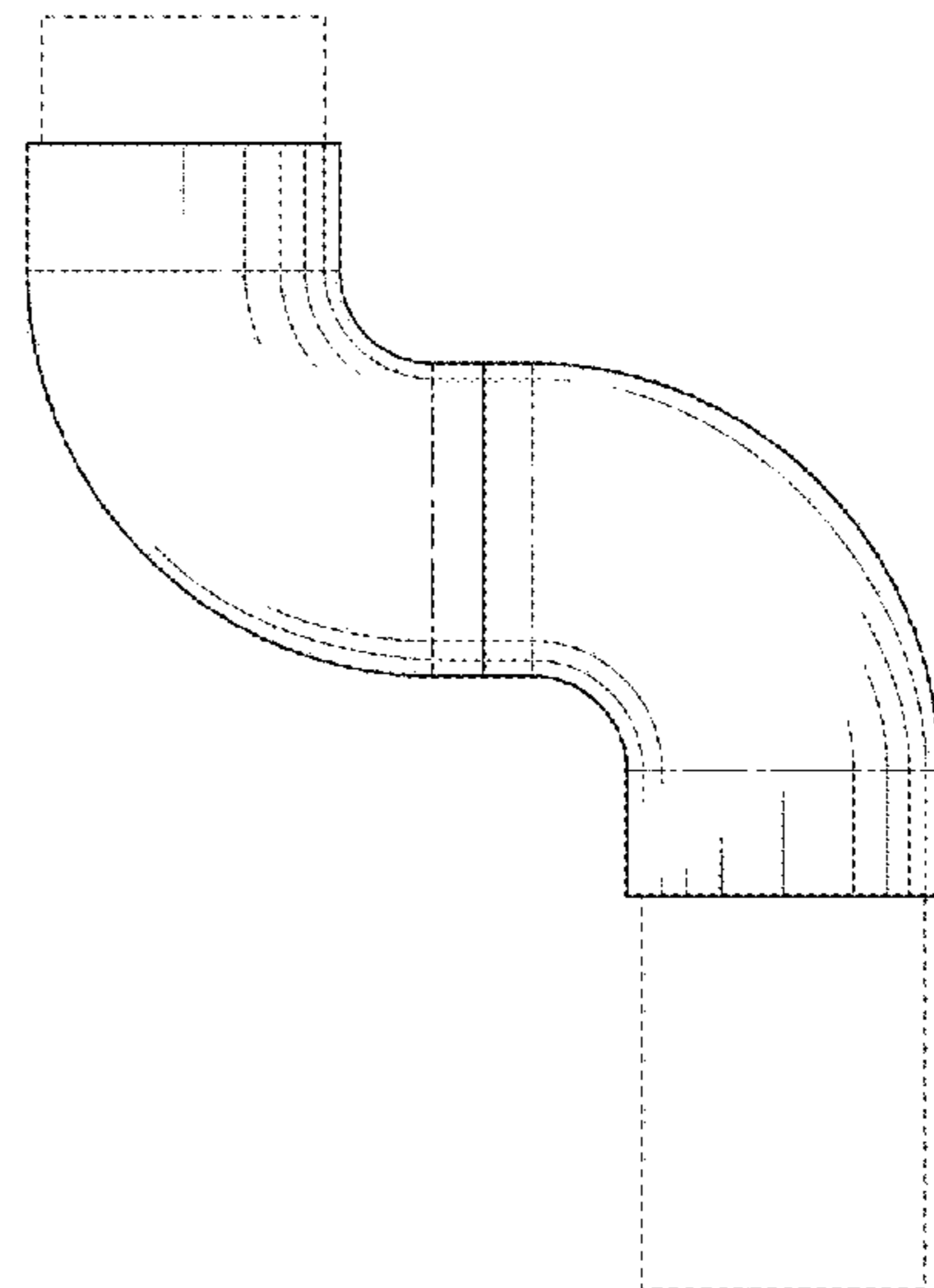
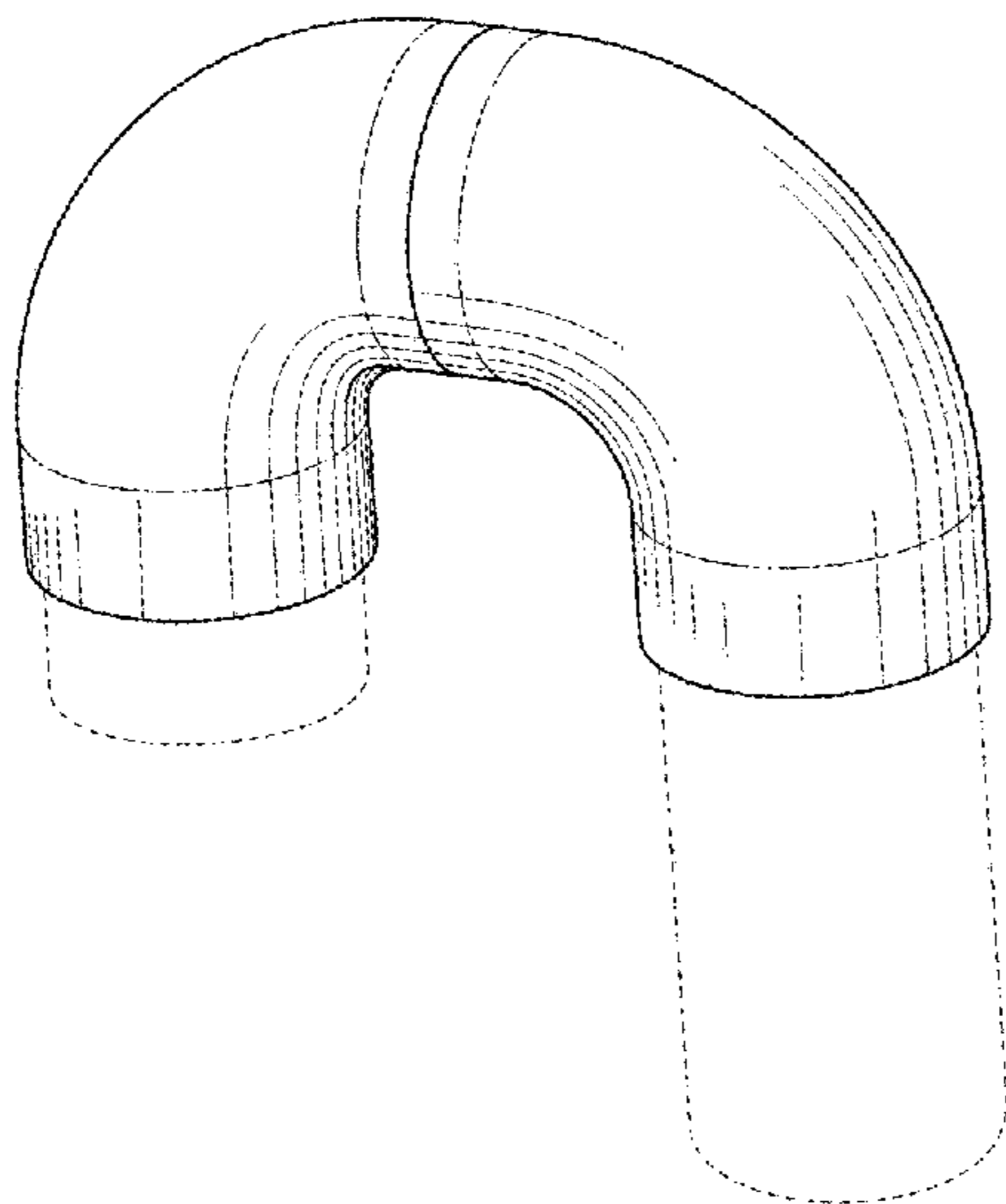
(57) **CLAIM**

The ornamental design for an articulating vacuum attachment, as shown and described.

DESCRIPTION

FIG. 1 is a front perspective view of an articulating vacuum attachment showing our new design; FIG. 2 is a front view thereof; FIG. 3 is a rear view thereof; FIG. 4 is a first side view thereof; FIG. 5 is a second side view thereof; FIG. 6 is a top view thereof; FIG. 7 is a bottom view thereof; FIG. 8 is front view showing the articulating vacuum attachment shown in a first articulated position; and, FIG. 9 is a front perspective view of the articulating vacuum attachment shown in a second articulated position. The two types of broken lines represent structure and environment that form no part of the claimed design.

1 Claim, 4 Drawing Sheets



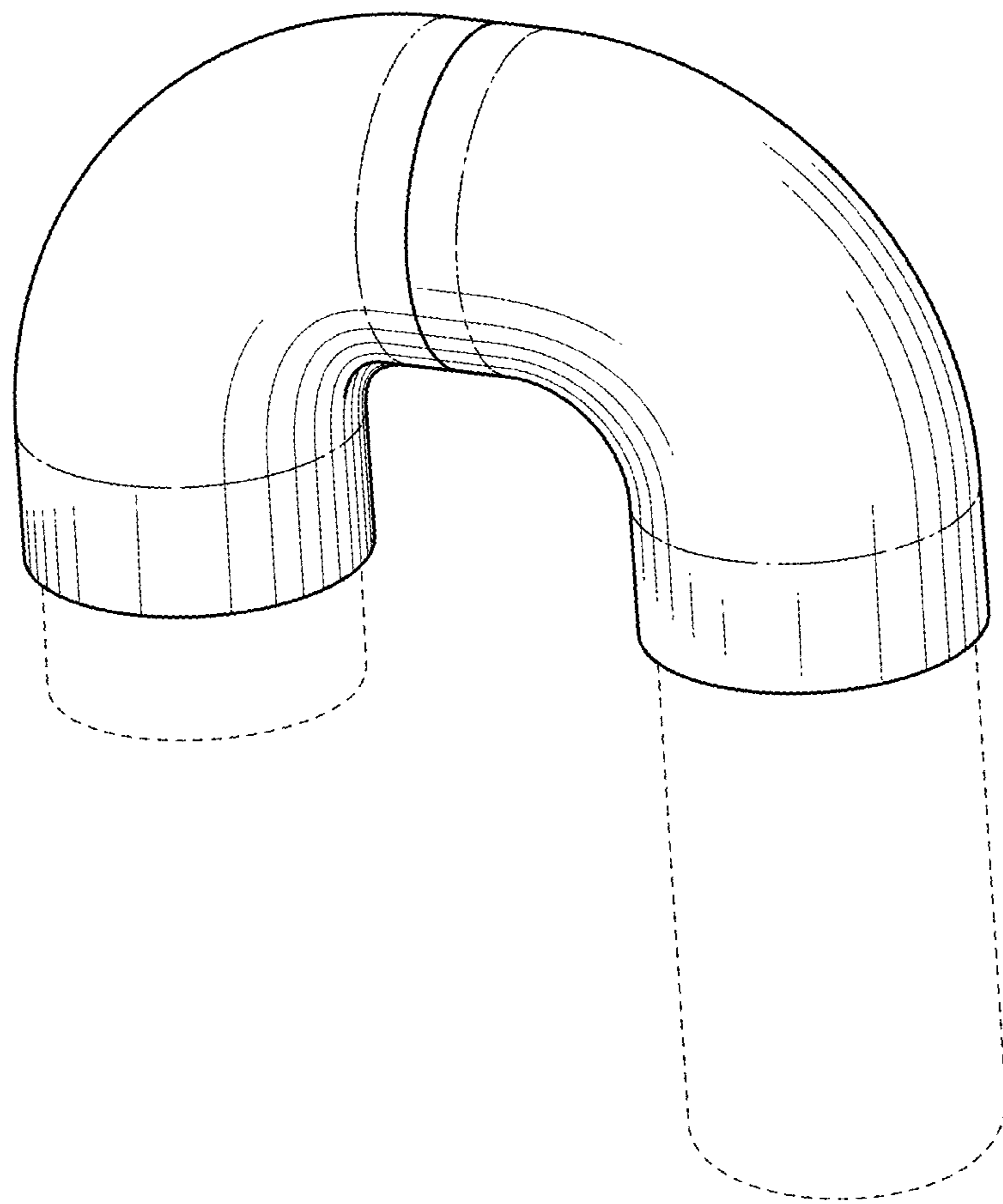


FIG. 1

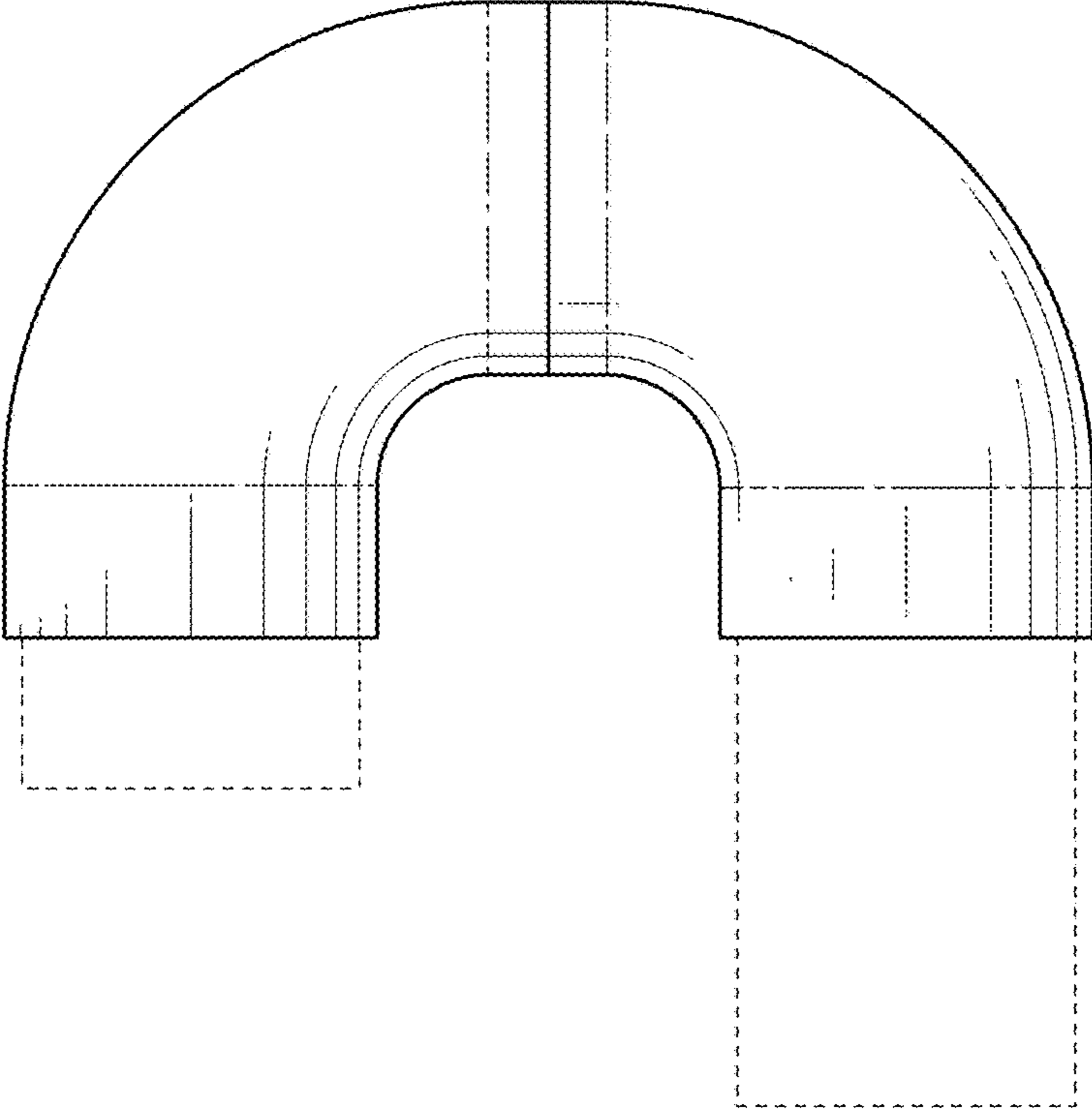


FIG. 2

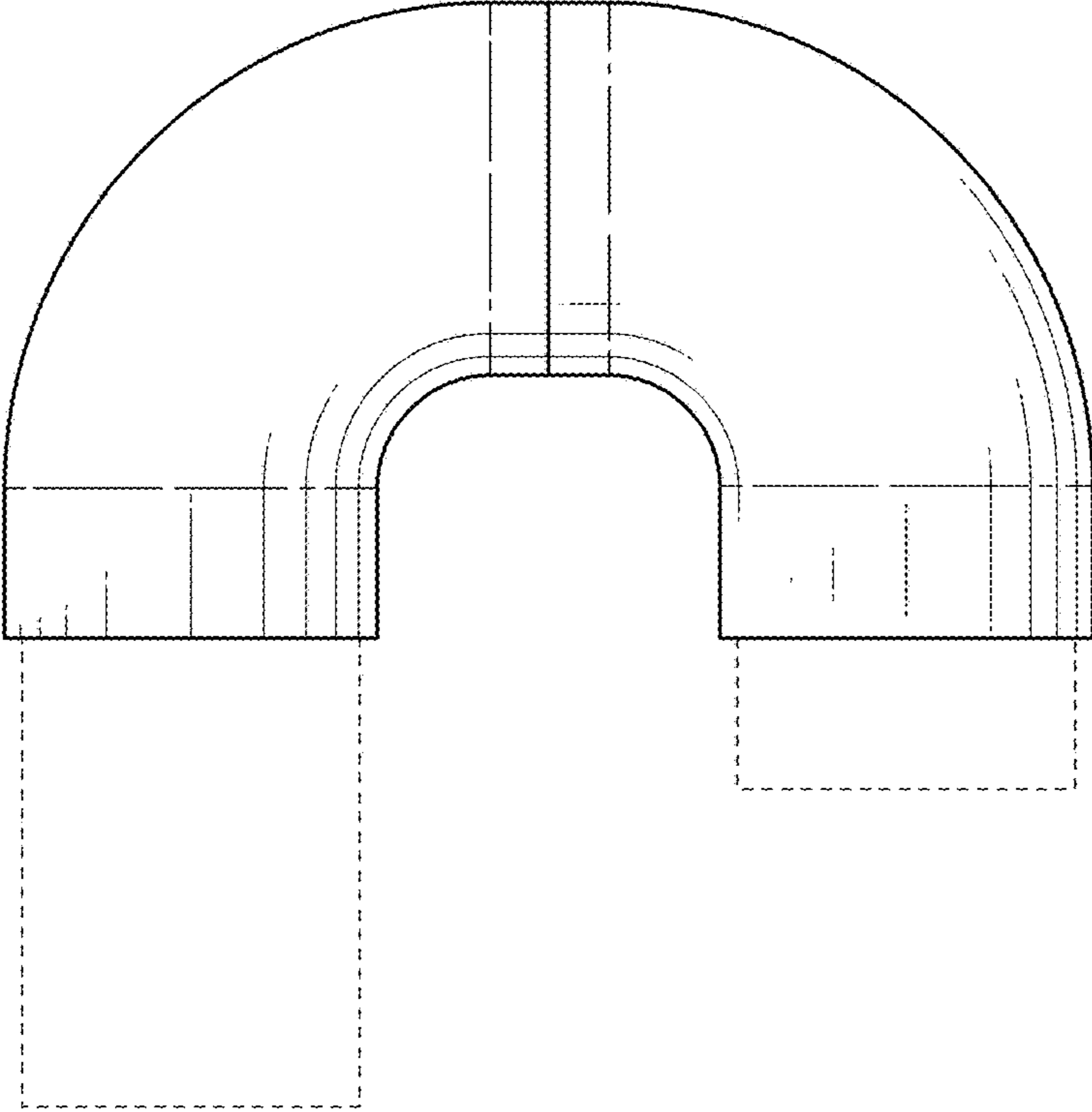


FIG. 3

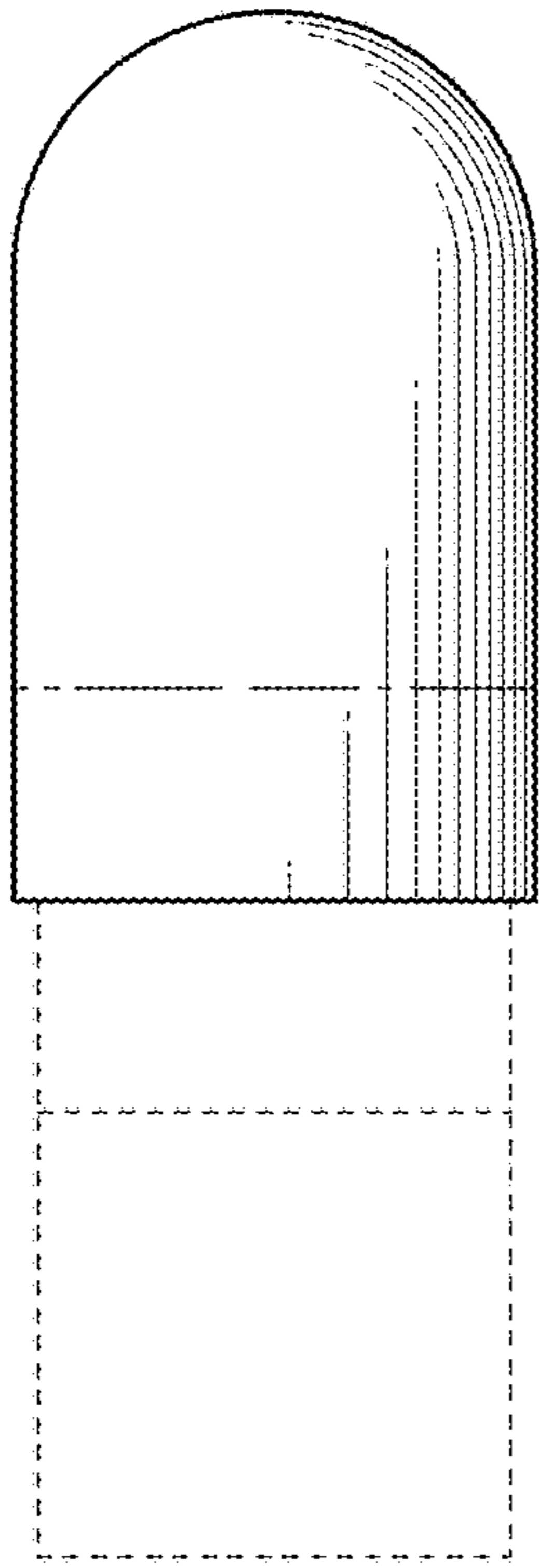


FIG. 4

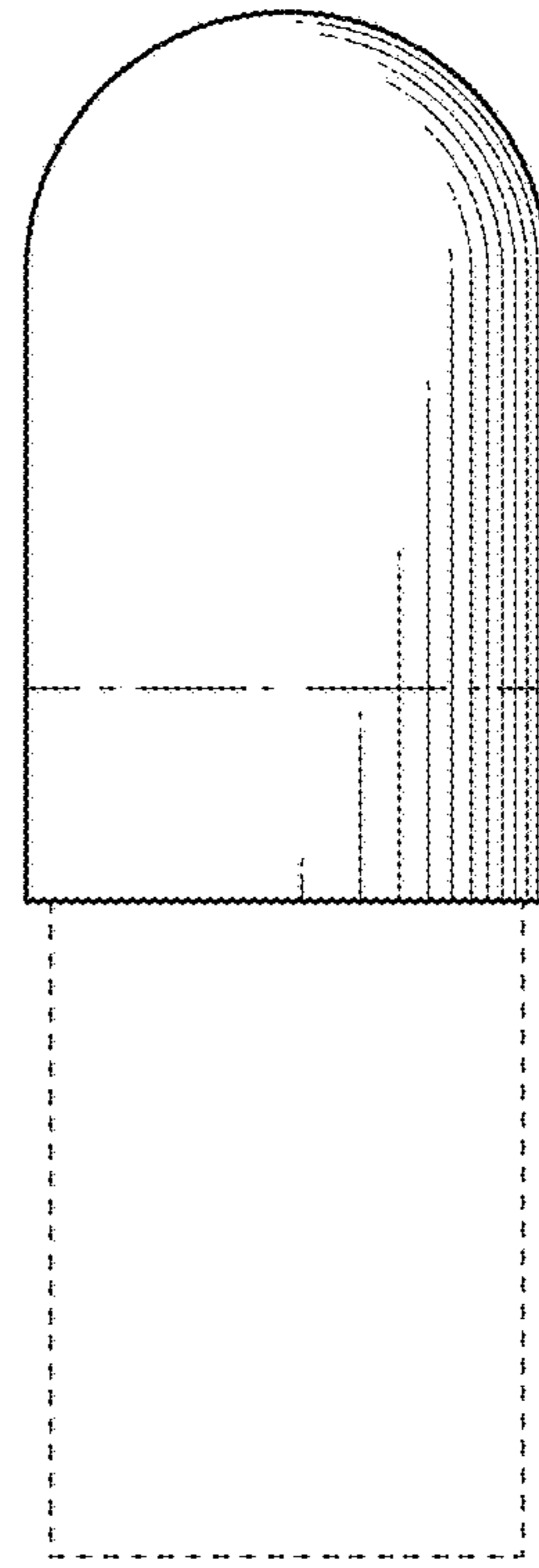


FIG. 5

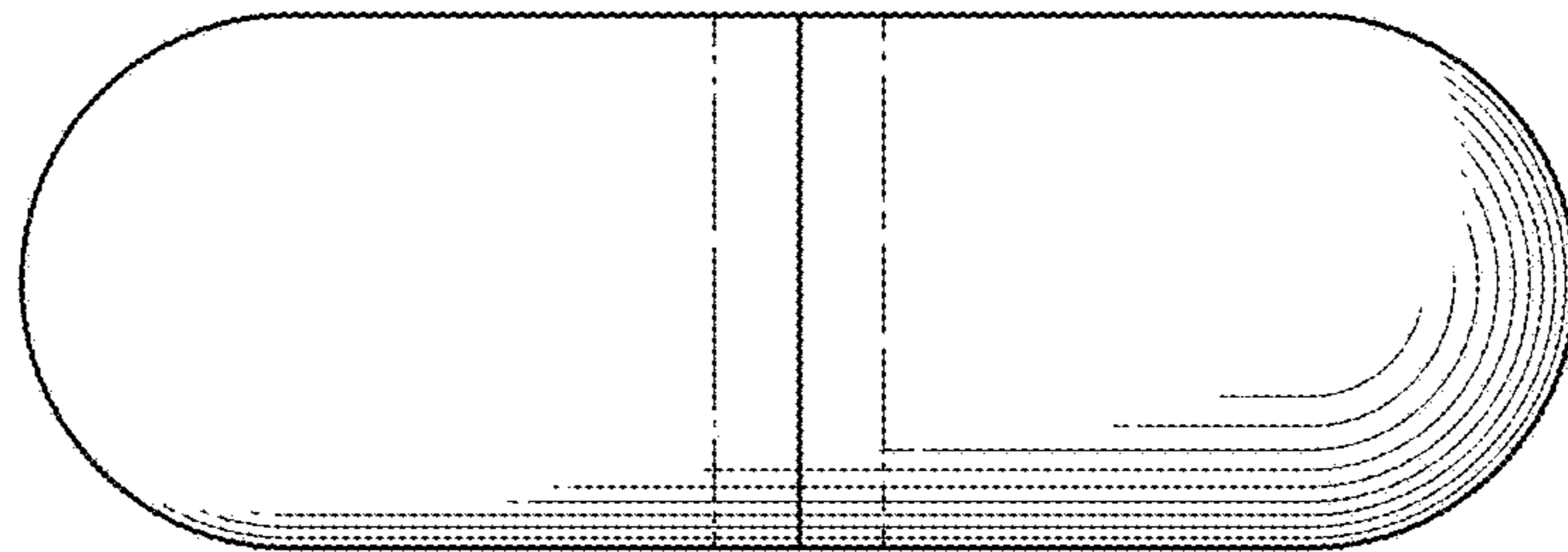


FIG. 6

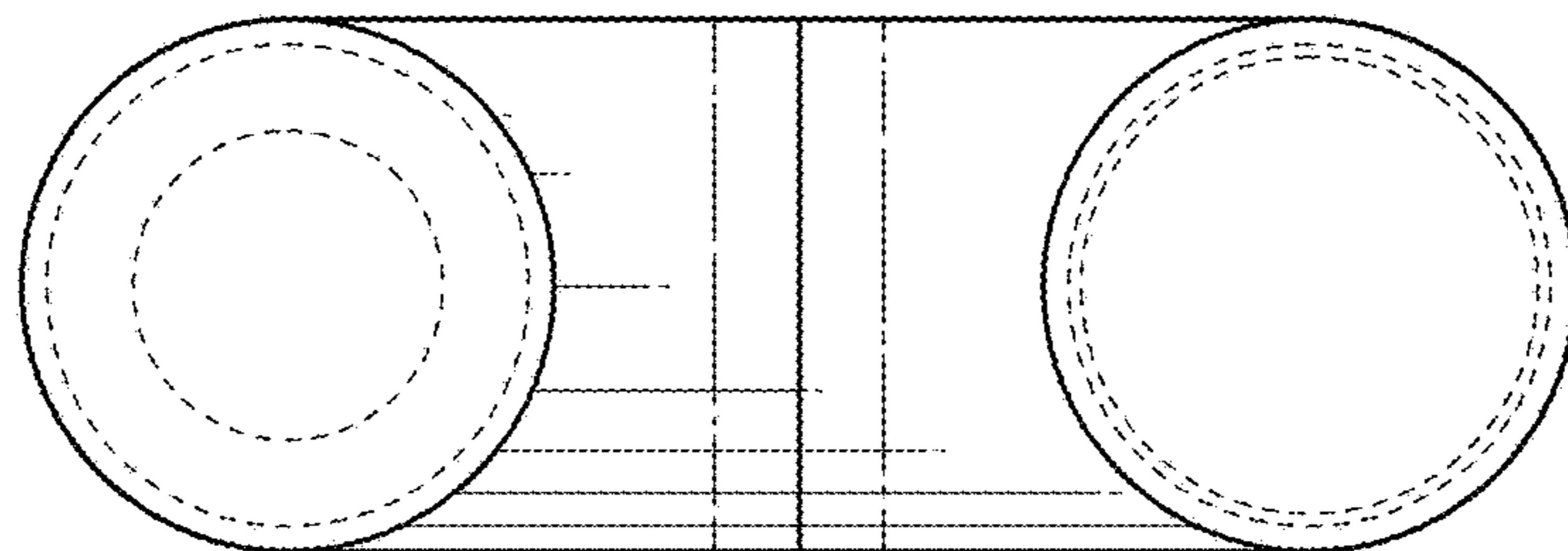


FIG. 7

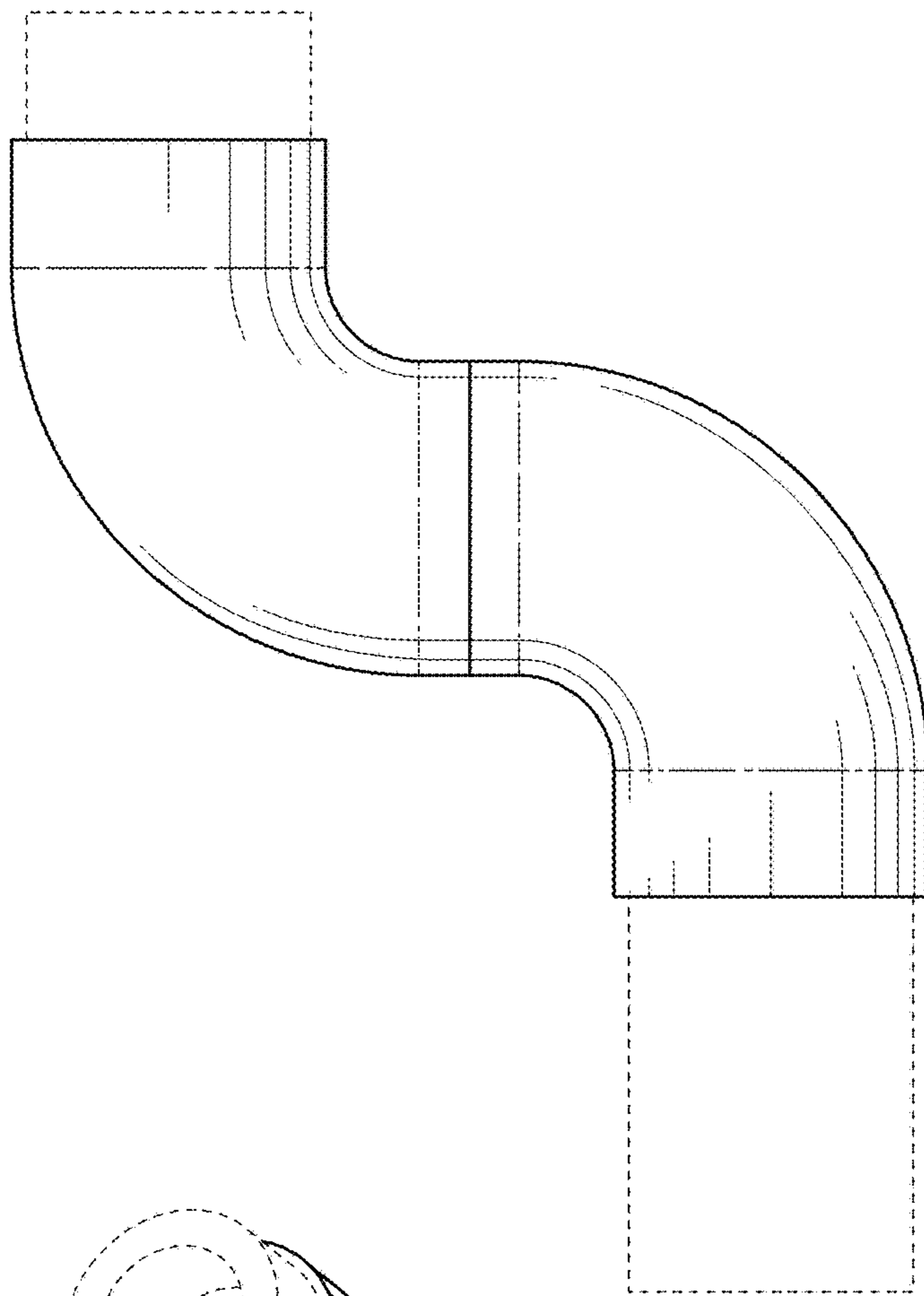


FIG. 8

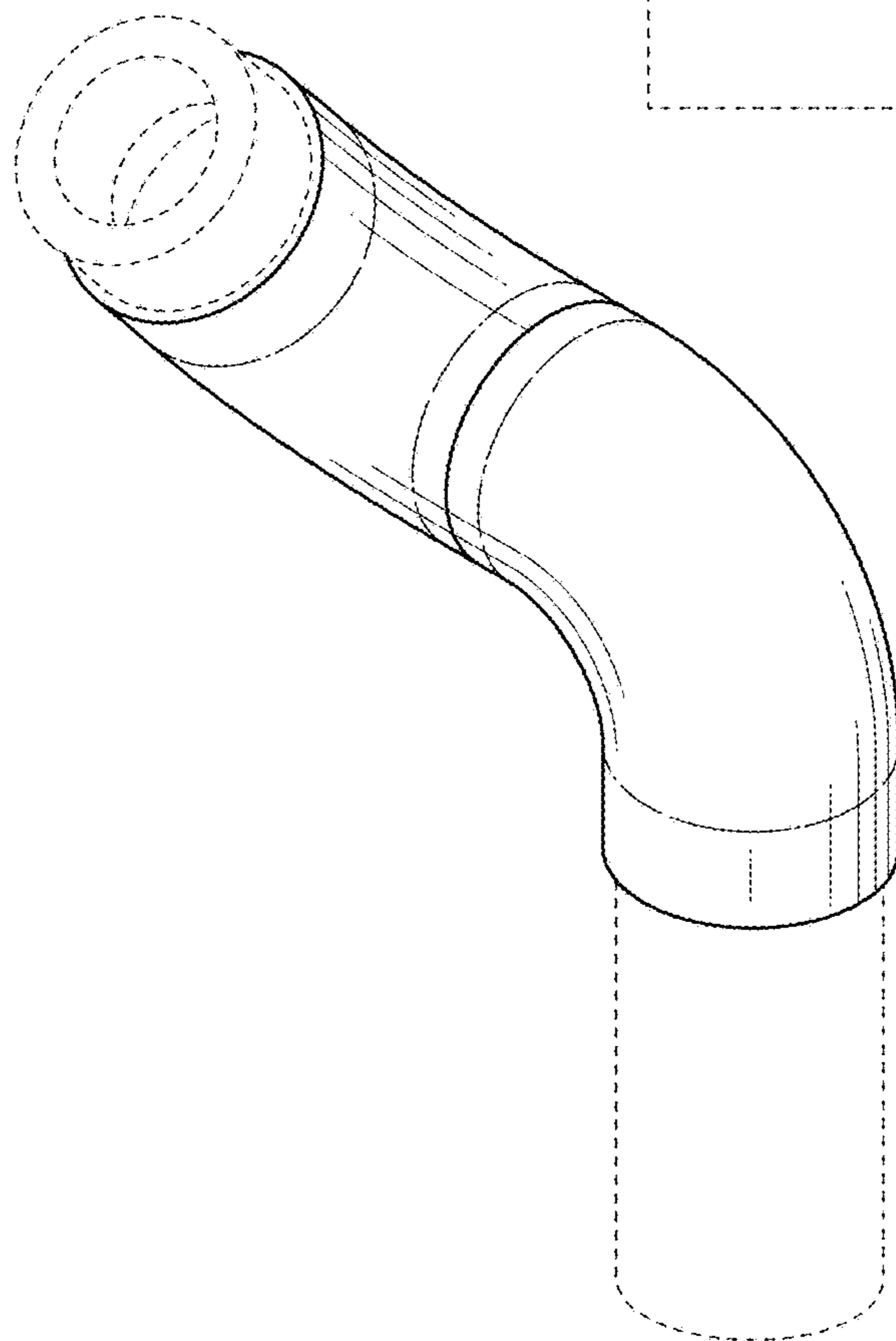


FIG. 9