



US00D773135S

(12) **United States Design Patent**  
**Zhou**

(10) **Patent No.:** **US D773,135 S**

(45) **Date of Patent:** **\*\* Nov. 29, 2016**

(54) **DUST COLLECTING BARREL**

(71) Applicant: **Jiangsu Midea Chunhua Electric Appliance Co., Ltd., Suzhou (CN)**

(72) Inventor: **Liangsheng Zhou, Suzhou (CN)**

(73) Assignee: **Jiangsu Midea Chunhua Electric Appliance Co., Ltd. (CN)**

(\*\*) Term: **14 Years**

(21) Appl. No.: **29/514,563**

(22) Filed: **Jan. 14, 2015**

(30) **Foreign Application Priority Data**

Dec. 16, 2014 (CN) ..... 2014 3 0528912

(51) **LOC (10) Cl.** ..... **15-05**

(52) **U.S. Cl.**  
USPC ..... **D32/31**

(58) **Field of Classification Search**

USPC ..... D32/18, 21, 23, 31

CPC . A47L 9/2842; A47L 9/2857; A47L 9/2836;

A47L 9/2847; A47L 9/2852; A47L 9/16;

G06N 3/008; E04H 4/1654

See application file for complete search history.

(56) **References Cited**

**U.S. PATENT DOCUMENTS**

D494,719 S \* 8/2004 Rosenzweig ..... D32/31

D532,944 S \* 11/2006 Choi ..... D32/22

D609,418 S \* 2/2010 Santiago ..... D32/31

D662,271 S *	6/2012	Conrad	.....	D32/31
D685,961 S *	7/2013	Bilger	.....	D32/31
D686,790 S *	7/2013	Santiago	.....	D32/31
D687,196 S *	7/2013	Raven	.....	D32/31
D693,975 S *	11/2013	Santiago	.....	D32/31
D730,000 S *	5/2015	Cheon	.....	D32/22
D730,001 S *	5/2015	Yun	.....	D32/22
D735,426 S *	7/2015	Yun	.....	D32/22
2005/0241284 A1 *	11/2005	Yoshida	.....	A47L 9/102 55/472
2014/0090341 A1 *	4/2014	Chen	.....	A47L 9/1625 55/346
2014/0101889 A1 *	4/2014	Davidshofer	.....	A47L 9/1608 15/353

\* cited by examiner

*Primary Examiner* — Ruth McInroy

(74) *Attorney, Agent, or Firm* — Lerner, David, Littenberg, Krumholz & Mentlik, LLP

(57) **CLAIM**

The ornamental design for a dust collecting barrel, as shown and described.

**DESCRIPTION**

FIG. 1 is a perspective view of a dust collecting barrel showing my new design;

FIG. 2 is a front view thereof;

FIG. 3 is a back view thereof;

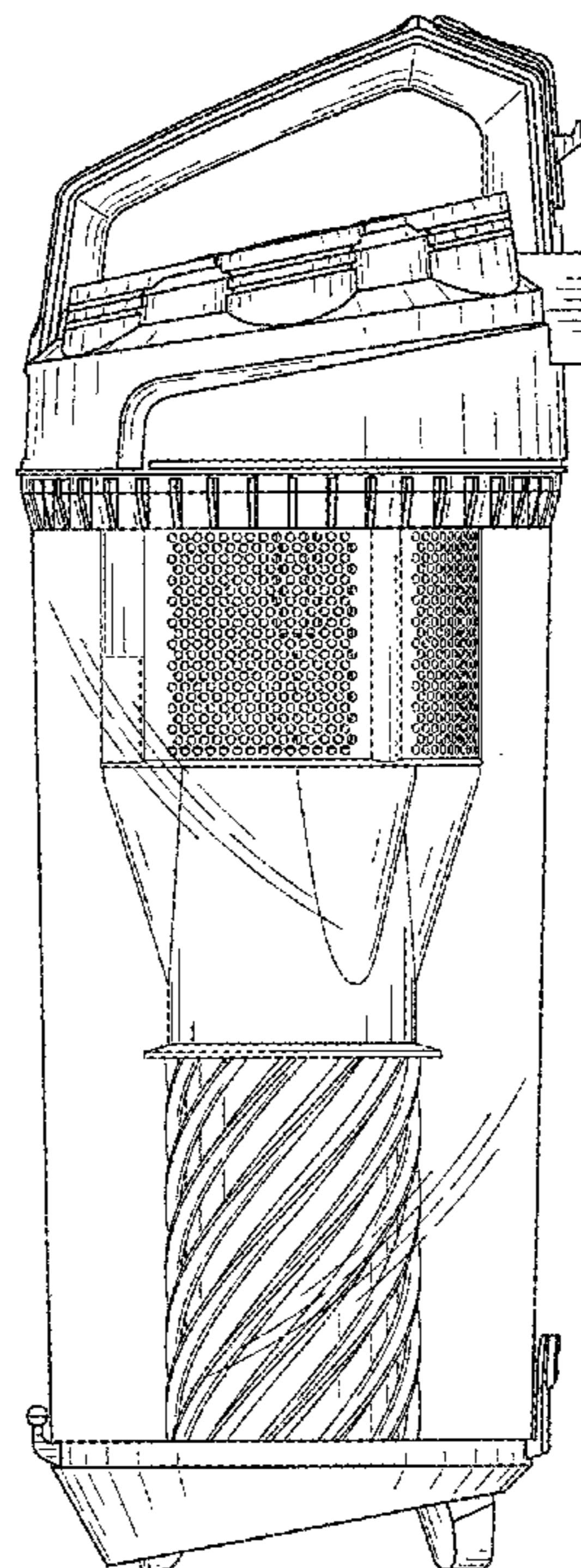
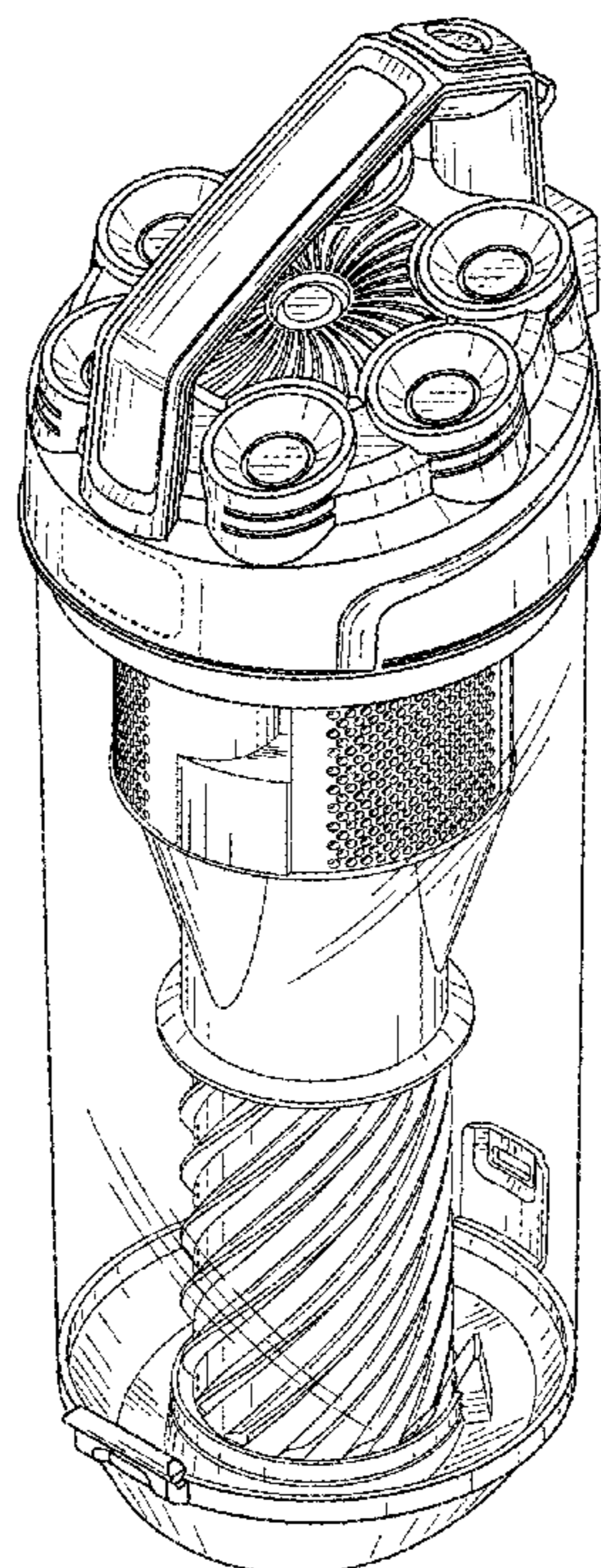
FIG. 4 is a left side view thereof;

FIG. 5 is a right side view thereof; and,

FIG. 6 is a top view thereof.

The environmental details shown in broken lines form no part of the claimed design.

**1 Claim, 6 Drawing Sheets**



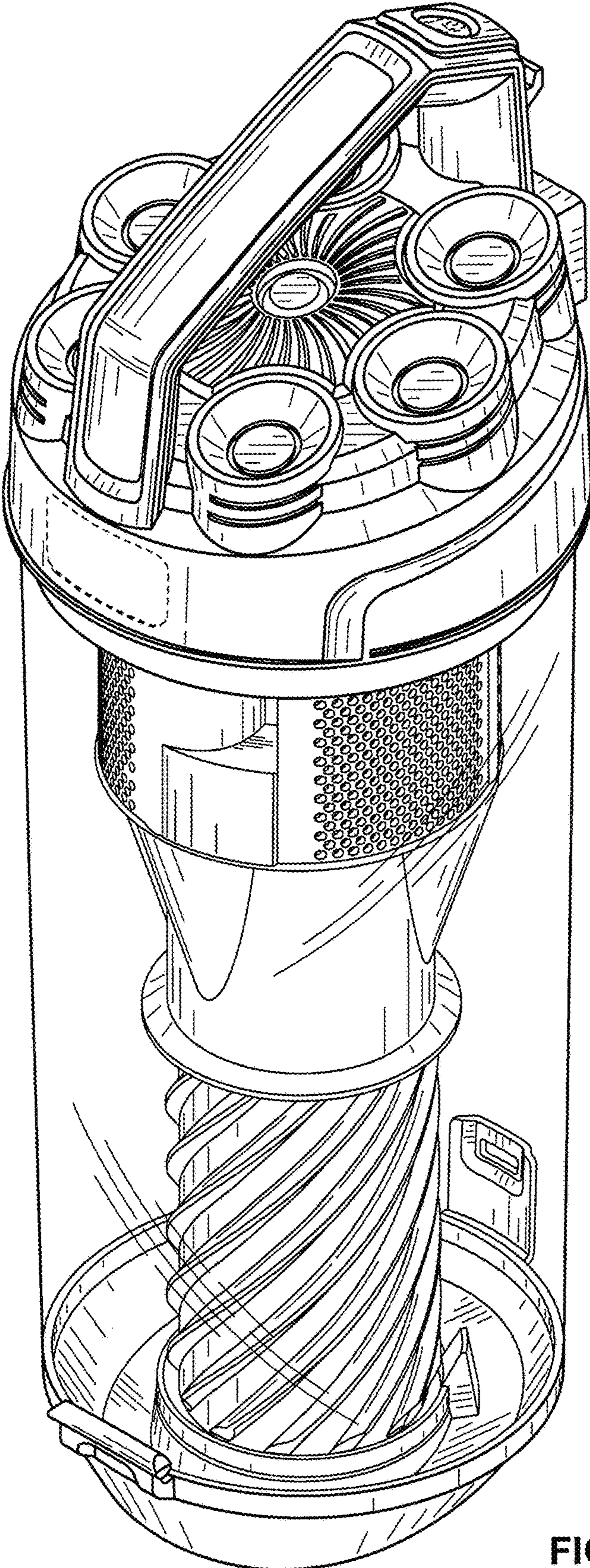


FIG. 1

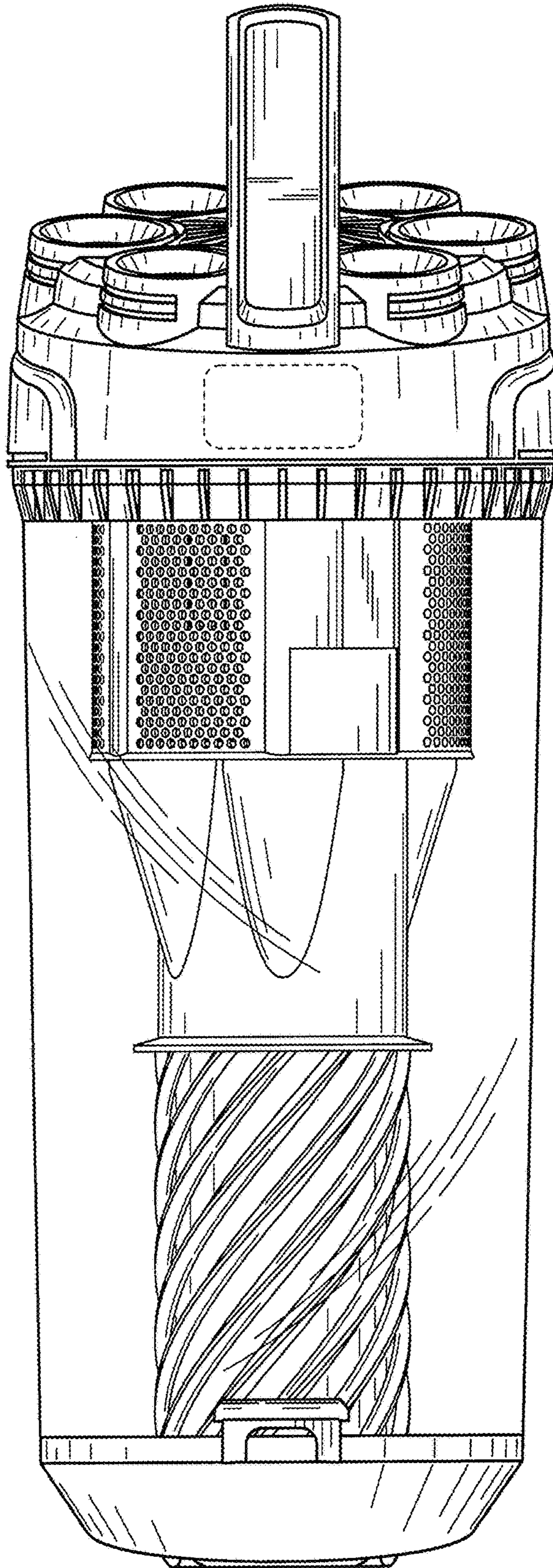


FIG. 2

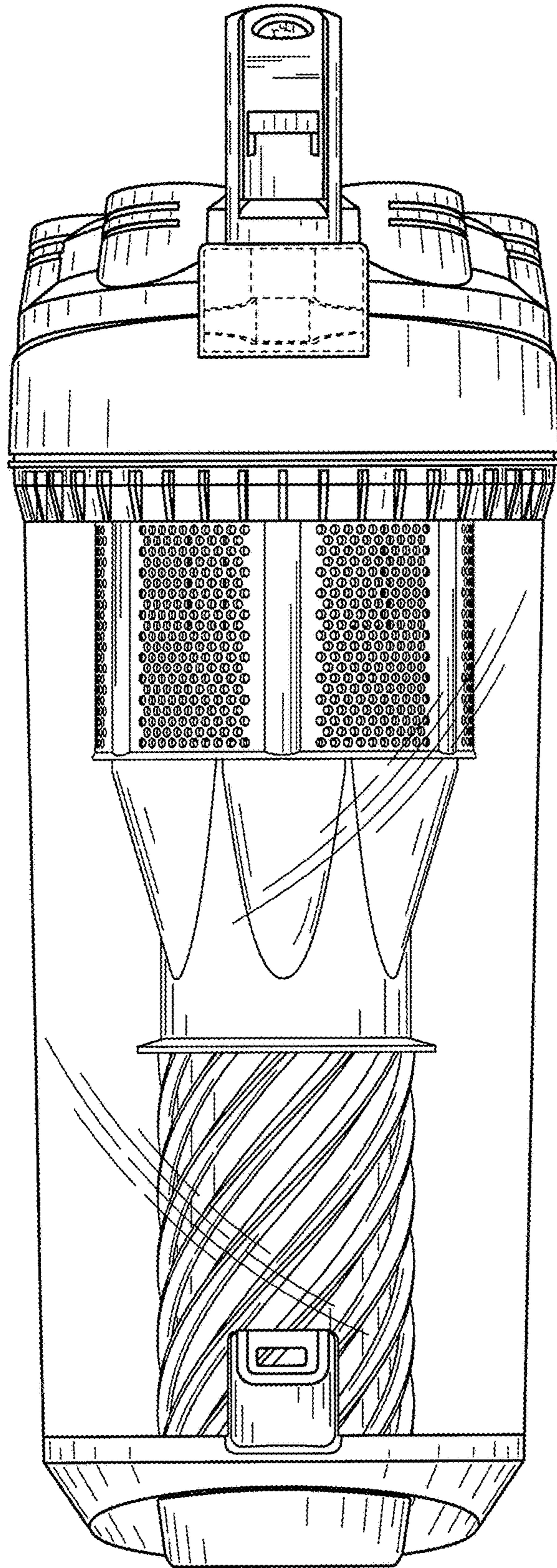


FIG. 3

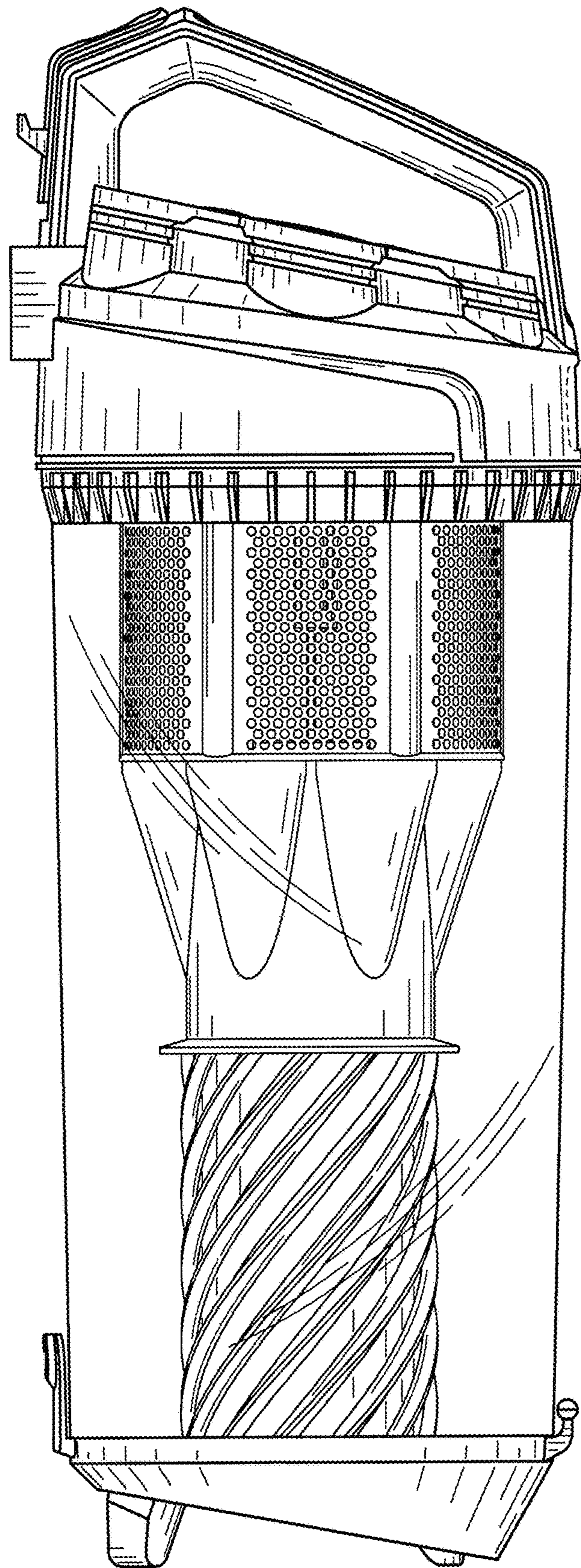


FIG. 4

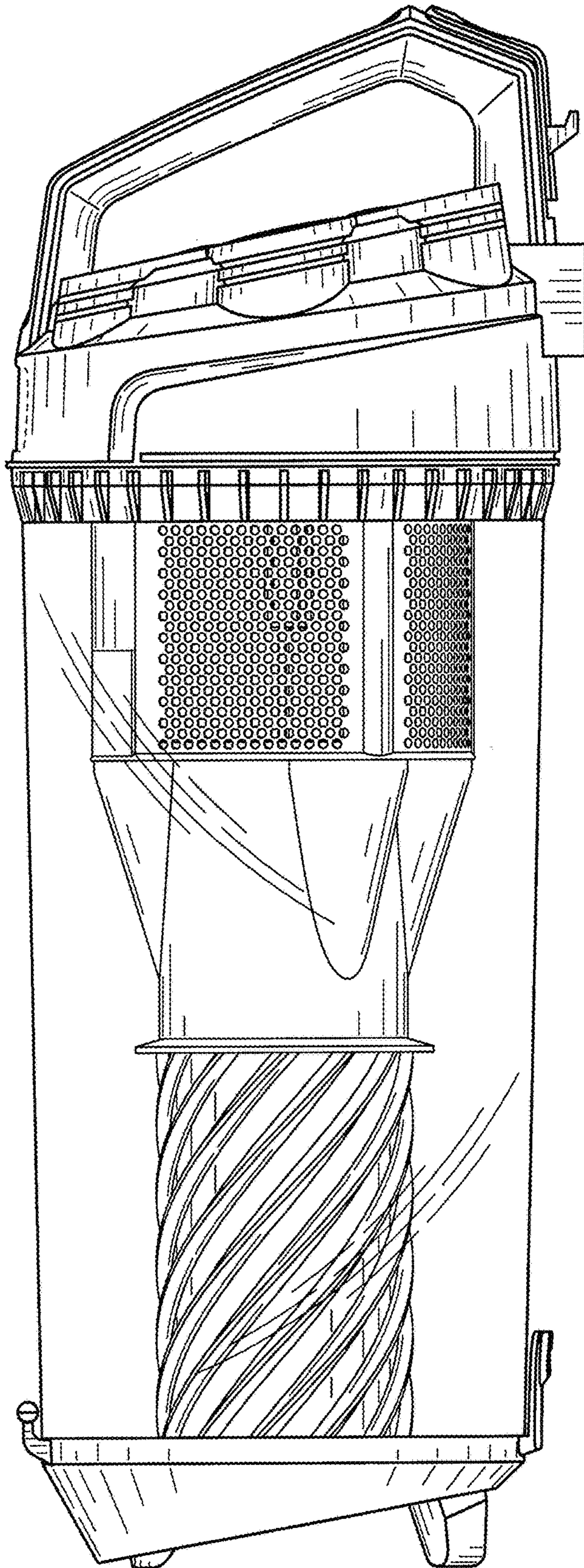


FIG. 5

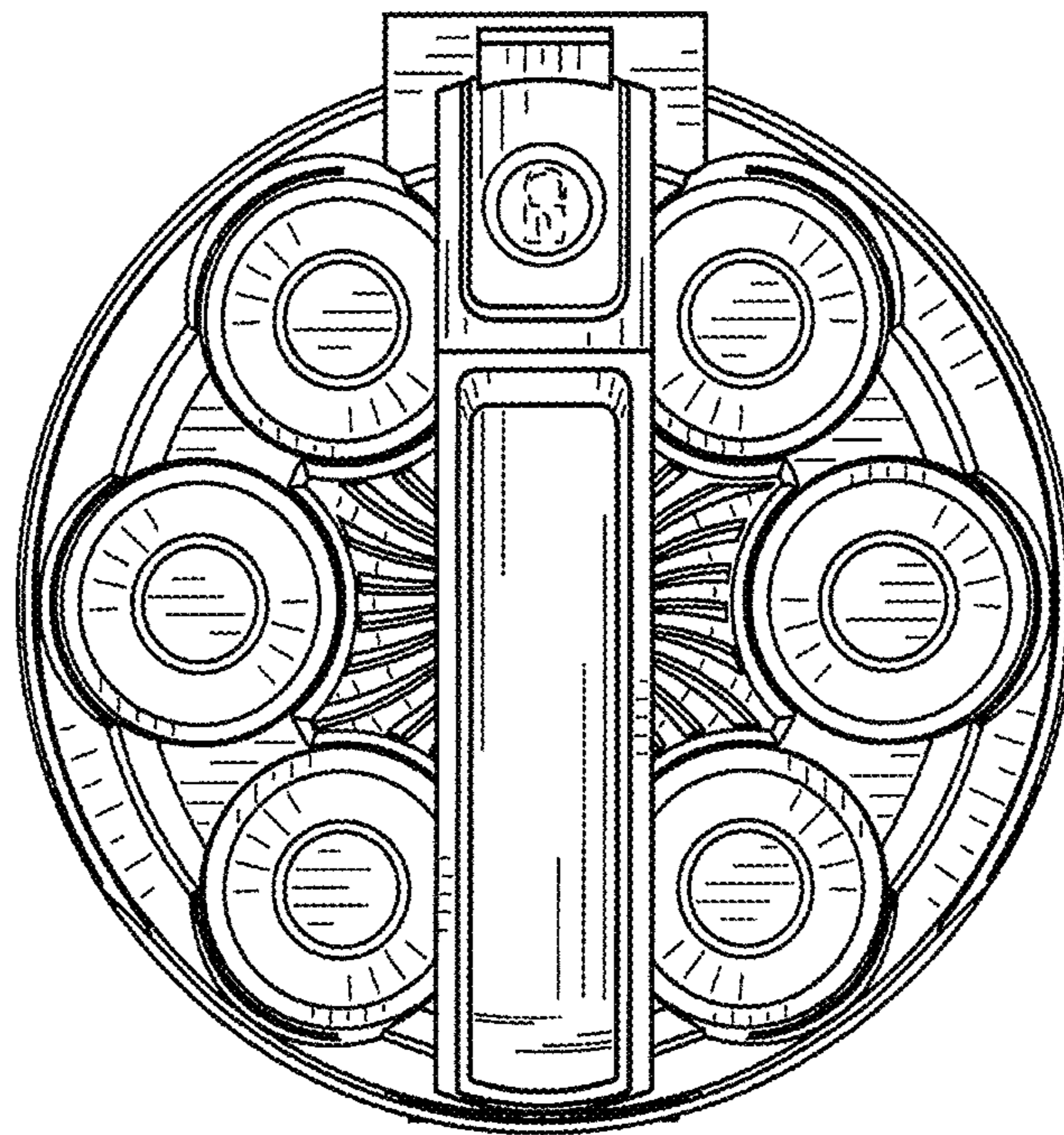


FIG. 6