



US00D773133S

(12) **United States Design Patent**
Ha et al.

(10) **Patent No.:** **US D773,133 S**

(45) **Date of Patent:** **** Nov. 29, 2016**

(54) **WASHING MACHINE**

(71) Applicant: **LG ELECTRONICS INC.**, Seoul (KR)

(72) Inventors: **Youngsoo Ha**, Seoul (KR); **Taewoo Yoo**, Seoul (KR); **Jonghee Han**, Seoul (KR); **Eunyoung Chee**, Seoul (KR); **Seungho Oh**, Seoul (KR); **Jeaseok Seong**, Seoul (KR)

(73) Assignee: **LG ELECTRONICS INC.**, Seoul (KR)

(**) Term: **15 Years**

(21) Appl. No.: **29/538,386**

(22) Filed: **Sep. 3, 2015**

(30) **Foreign Application Priority Data**

Mar. 4, 2015 (KR) 30-2015-0011092

(51) **LOC (10) Cl.** **15-05**

(52) **U.S. Cl.**
USPC **D32/25**

(58) **Field of Classification Search**
USPC D32/1, 5, 6, 8, 10, 25, 28, 29.1
CPC D06F 39/022; D06F 39/028; D06F 39/14;
D06F 37/28; D06F 33/02; D06F 58/00;
D06F 58/02
See application file for complete search history.

(56) **References Cited**

U.S. PATENT DOCUMENTS

- 2,180,151 A * 11/1939 Koeller A45C 15/06
132/287
- D466,725 S * 12/2002 Masciale D32/25
- D549,408 S * 8/2007 Lee D32/25
- D569,065 S * 5/2008 Ritterling D32/25
- D577,870 S * 9/2008 Kim D32/6
- D595,464 S * 6/2009 Nam D32/25
- D617,512 S * 6/2010 DeSalvo D32/25

- D617,965 S * 6/2010 Grutzke D32/25
- D620,211 S * 7/2010 Shail D32/25
- D633,670 S * 3/2011 Grutzke D32/25
- D642,752 S * 8/2011 Kim D32/6
- D645,623 S * 9/2011 Helot D32/25
- D665,544 S * 8/2012 Jeon D32/6
- D667,179 S * 9/2012 Jeon D32/6
- D701,657 S * 3/2014 Chung D32/6
- D701,658 S * 3/2014 Chung D32/6
- D704,909 S * 5/2014 Jeon D32/25
- 8,950,831 B2 * 2/2015 Kim D06F 29/00
312/228
- D739,097 S * 9/2015 Qin D32/6
- D739,098 S * 9/2015 Qin D32/6
- D764,123 S * 8/2016 Kim D32/6
- D767,837 * 9/2016 Chee D32/25

(Continued)

Primary Examiner — Michael A. Pratt

Assistant Examiner — Michelle E Wilson

(74) *Attorney, Agent, or Firm* — KED & Associates, LLP

(57) **CLAIM**

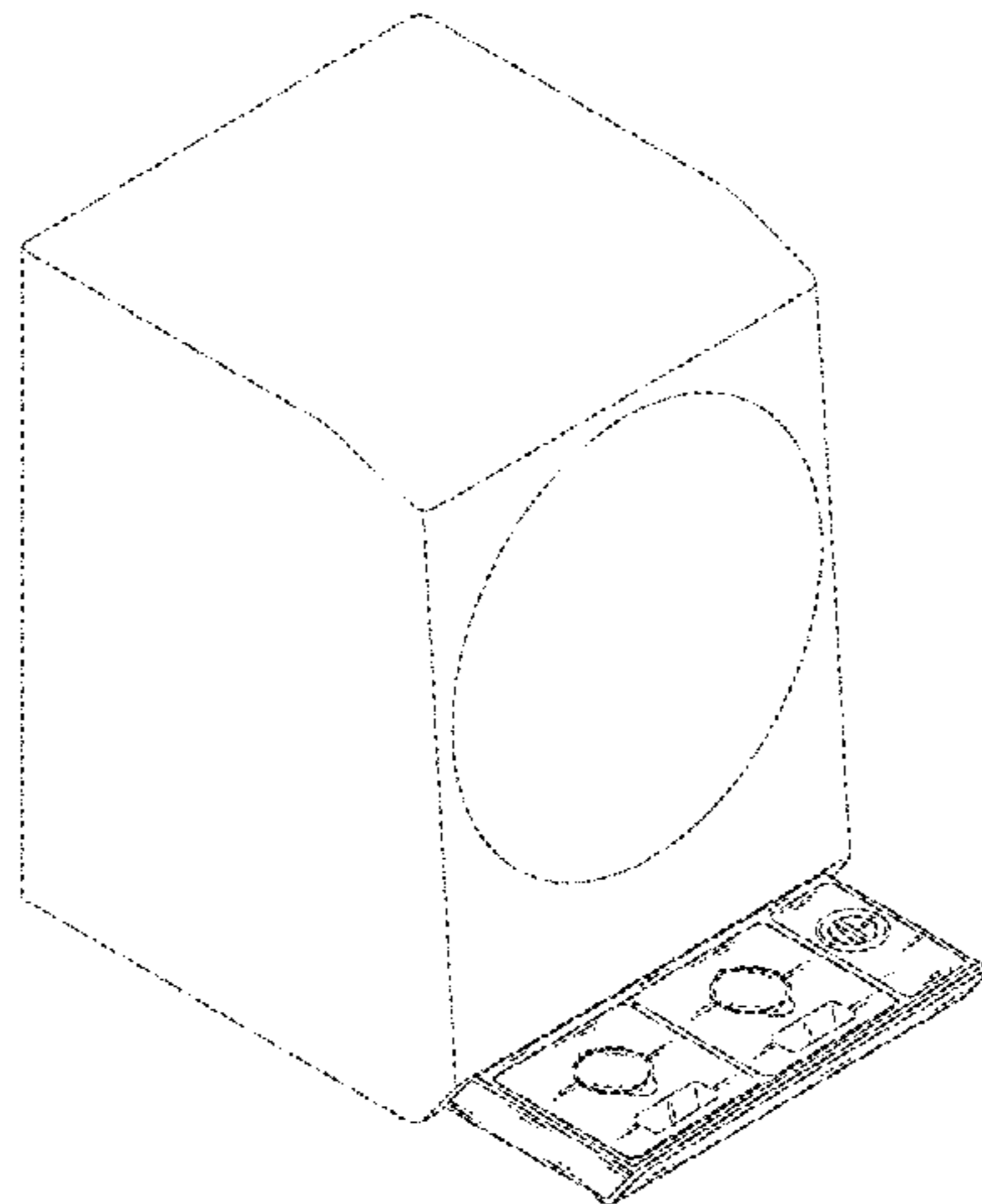
We claim the ornamental design for a washing machine, as shown and described.

DESCRIPTION

FIG. 1 is a perspective view of a washing machine showing our new design with its detergent dispenser fully pulled out; FIG. 2 is a front elevation view thereof; FIG. 3 is a rear elevation view thereof; FIG. 4 is a left-side elevation view thereof; FIG. 5 is a right-side elevation view thereof; FIG. 6 is a top plan view thereof; FIG. 7 is a bottom plan view thereof; FIG. 8 is a perspective view thereof with its detergent dispenser closed fully pushed in; FIG. 9 is a front elevation view thereof; FIG. 10 is a left-side elevation view thereof; and, FIG. 11 is a top plan view thereof.

The broken lines in the drawing figures are included for the purpose of illustrating environment and form no part of the claimed design.

1 Claim, 8 Drawing Sheets



(56)

References Cited

U.S. PATENT DOCUMENTS

2011/0099835 A1*	5/2011	Kim	D06F 39/125
			34/132
2013/0047677 A1*	2/2013	Han	D06F 39/14
			68/27
2005/0241344 A1*	11/2005	Graute	D06F 95/002
			68/3 R
2009/0126123 A1*	5/2009	Kim	D06F 33/02
			8/137

* cited by examiner

FIG. 1

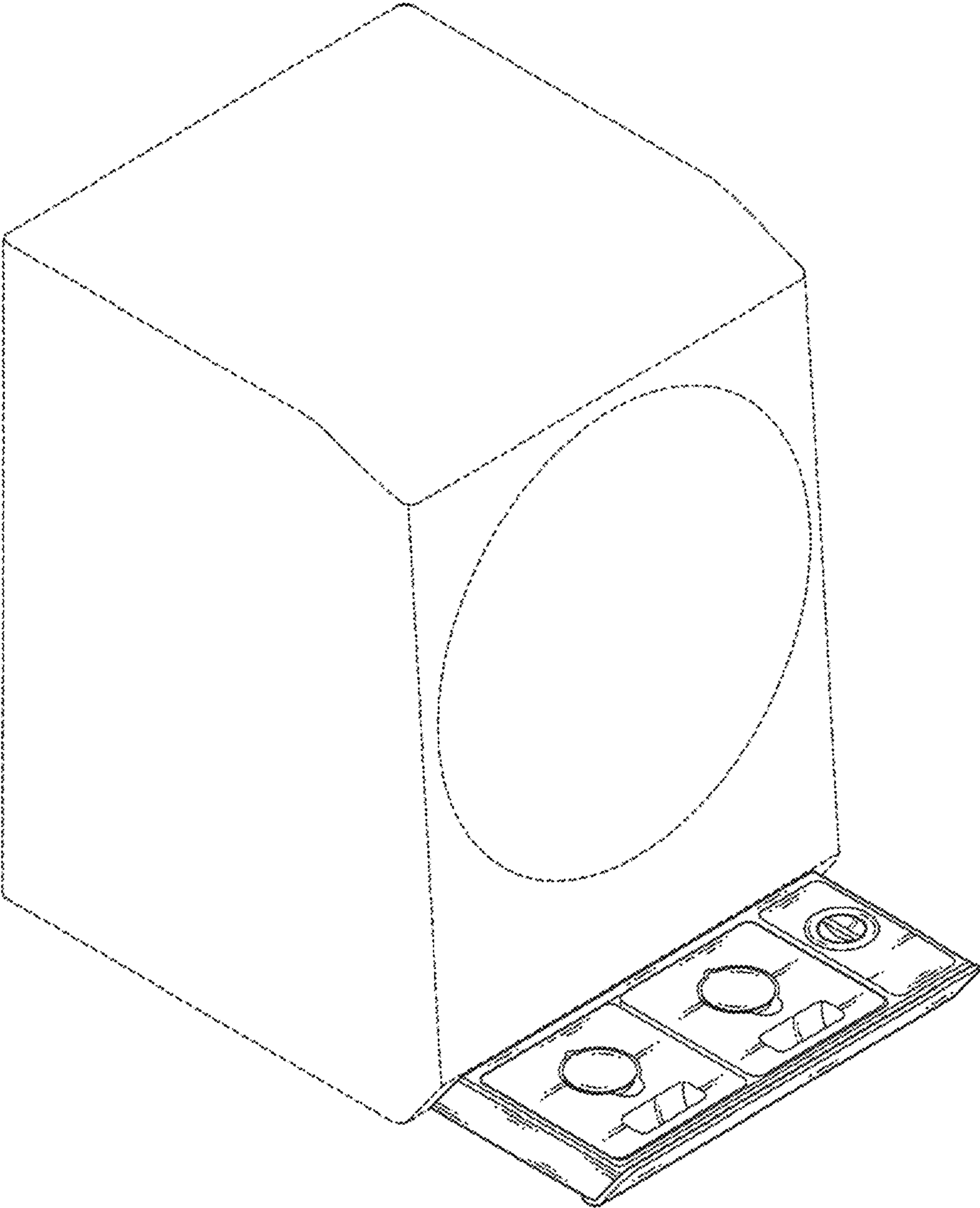


FIG. 2

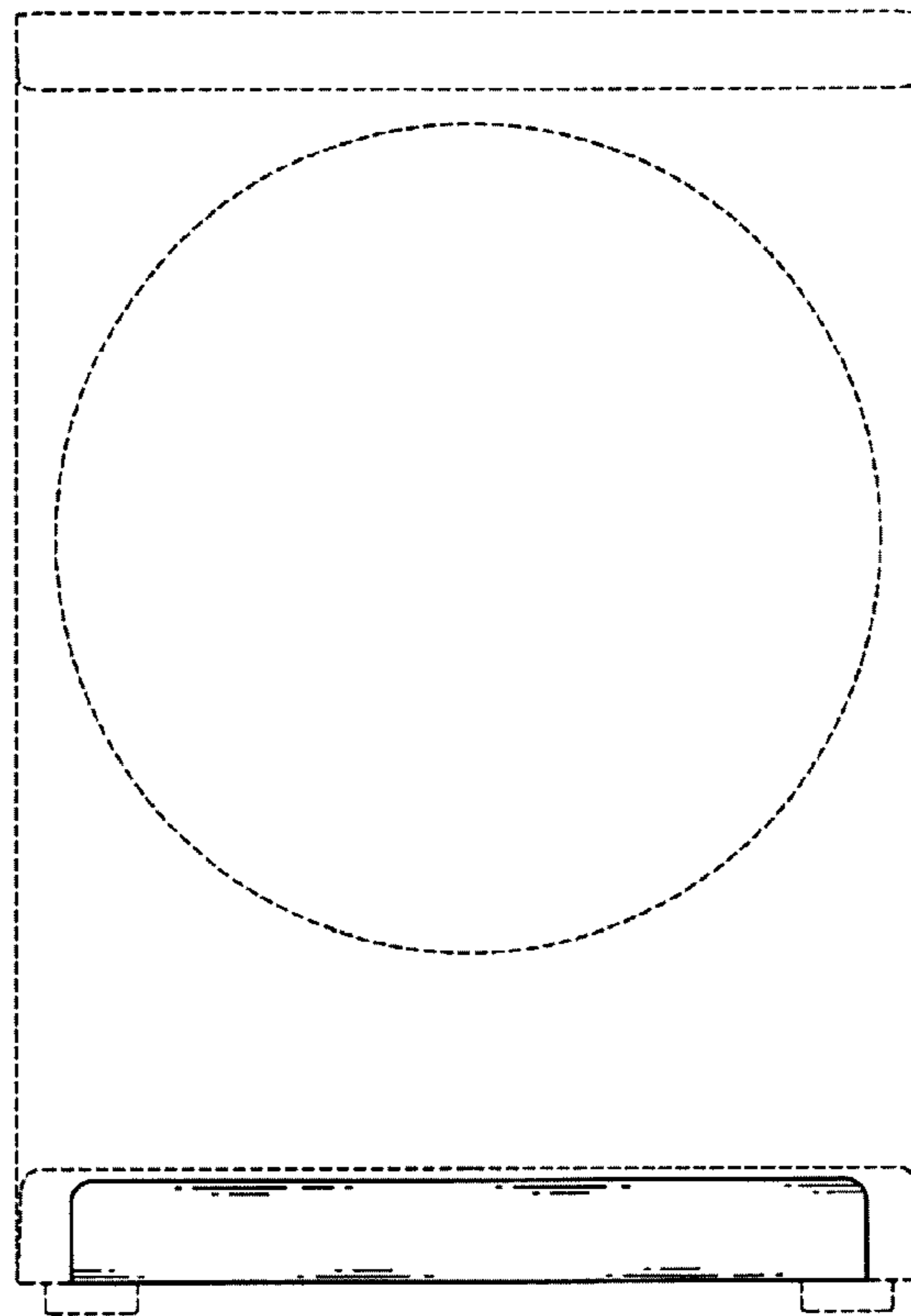


FIG. 3

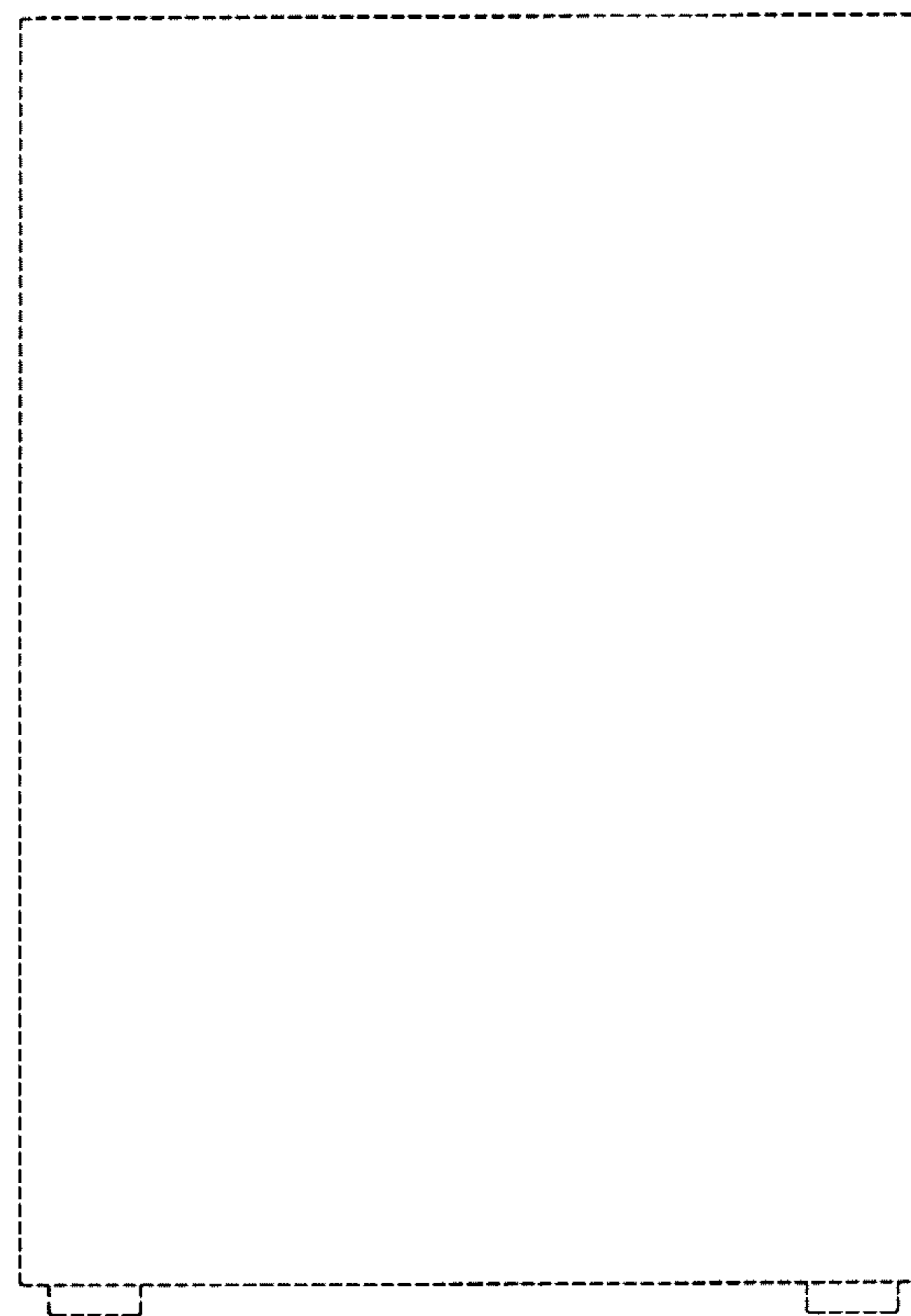


FIG.4

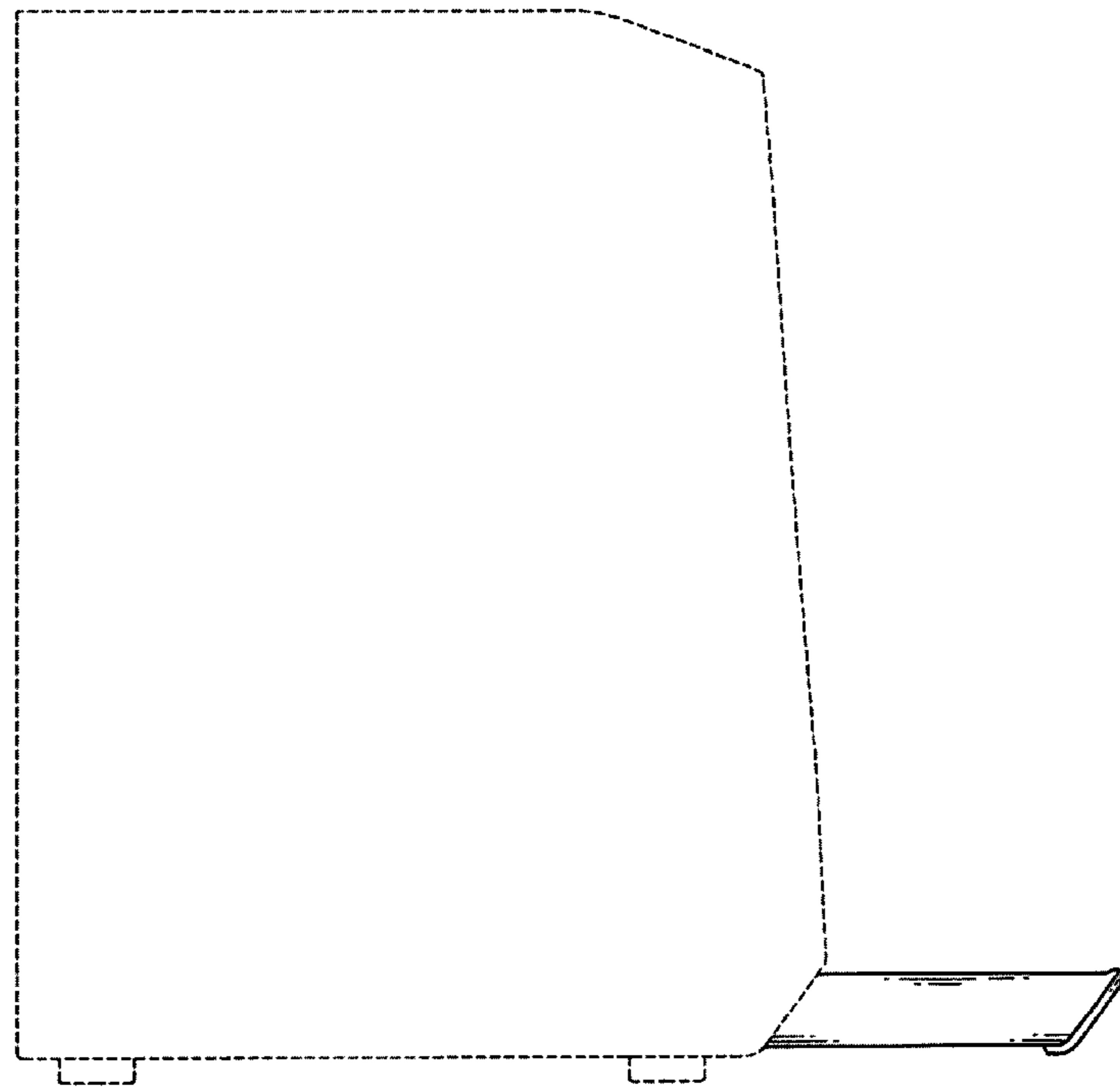


FIG.5

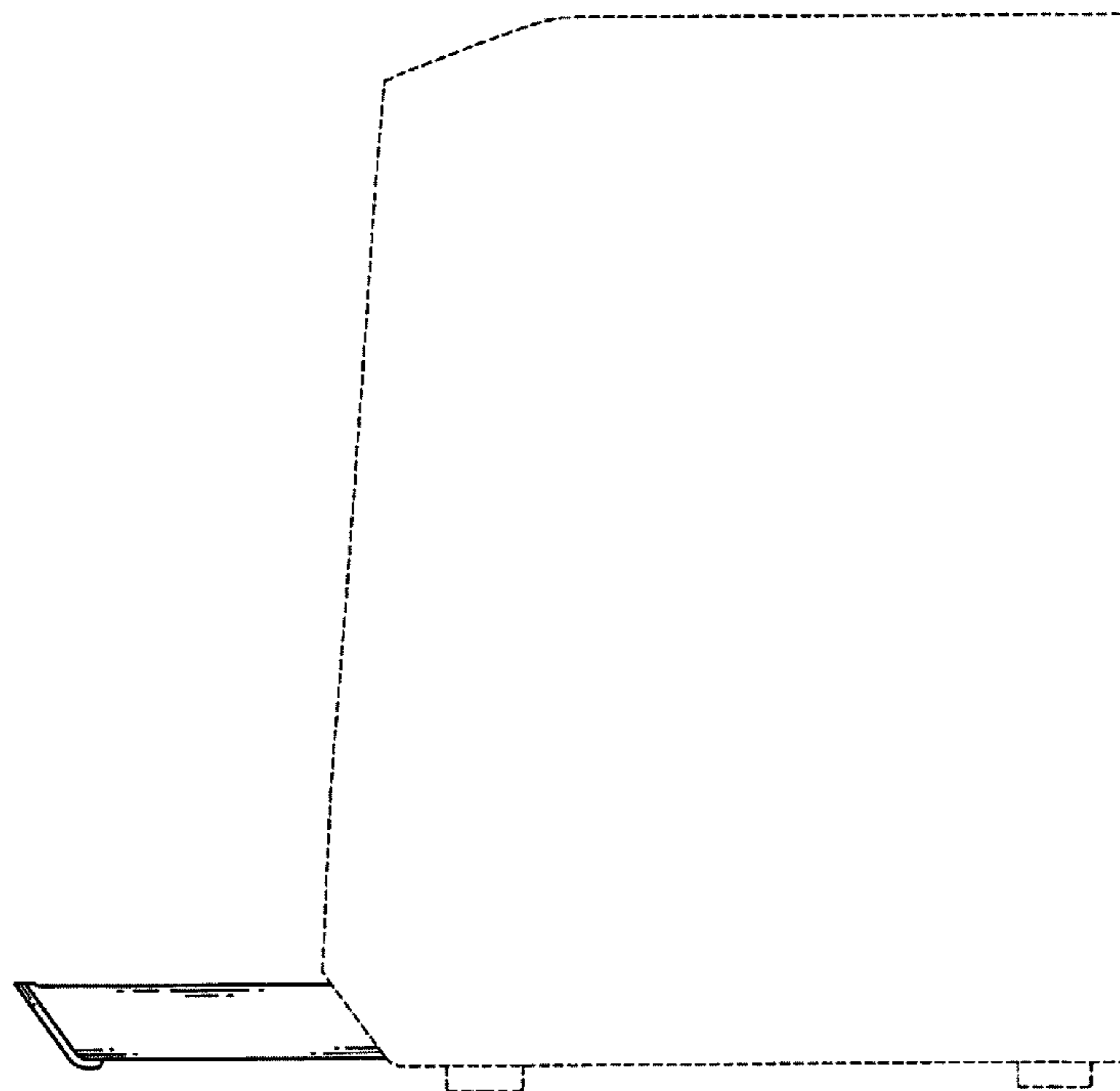


FIG.6

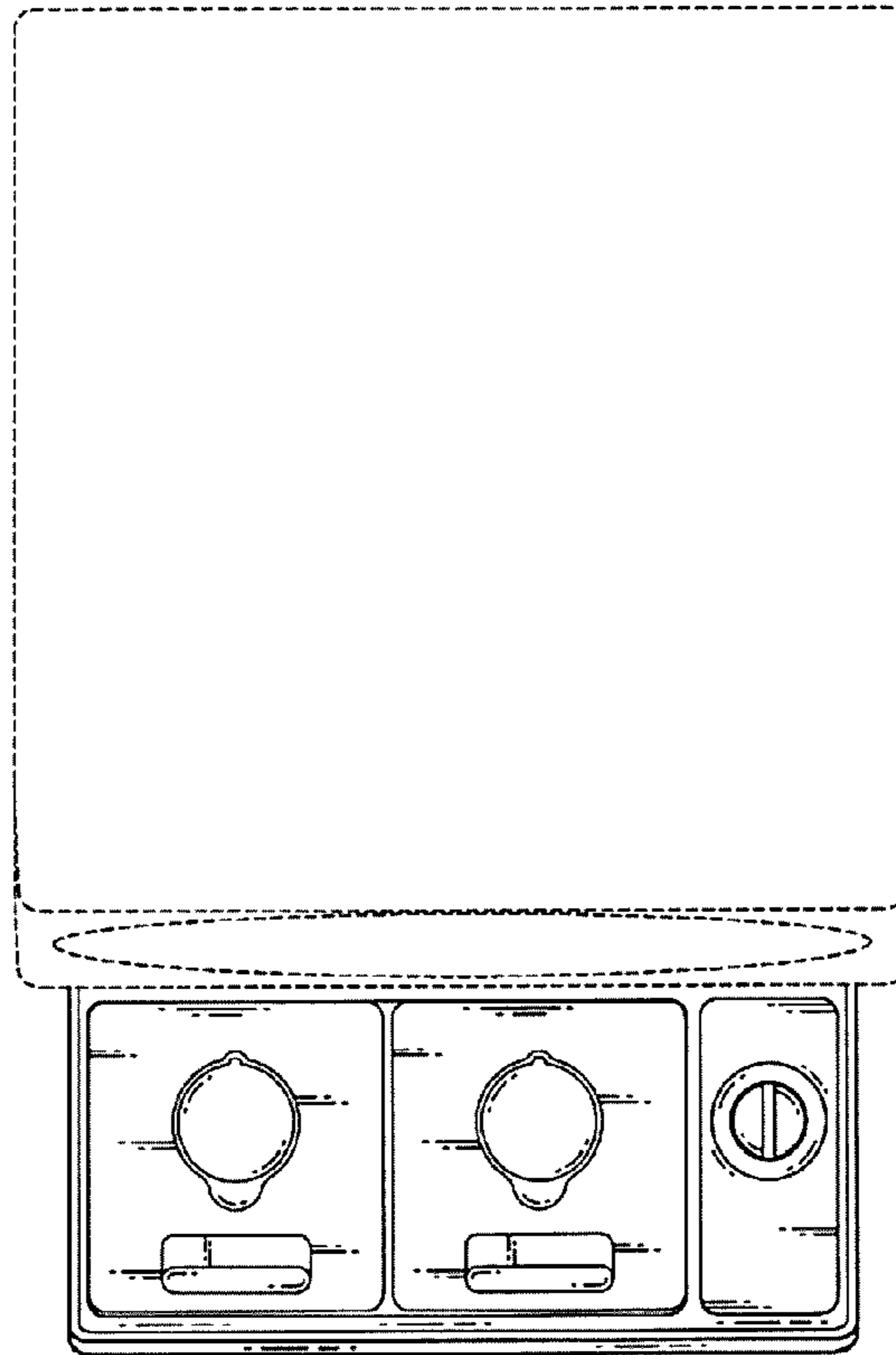


FIG.7

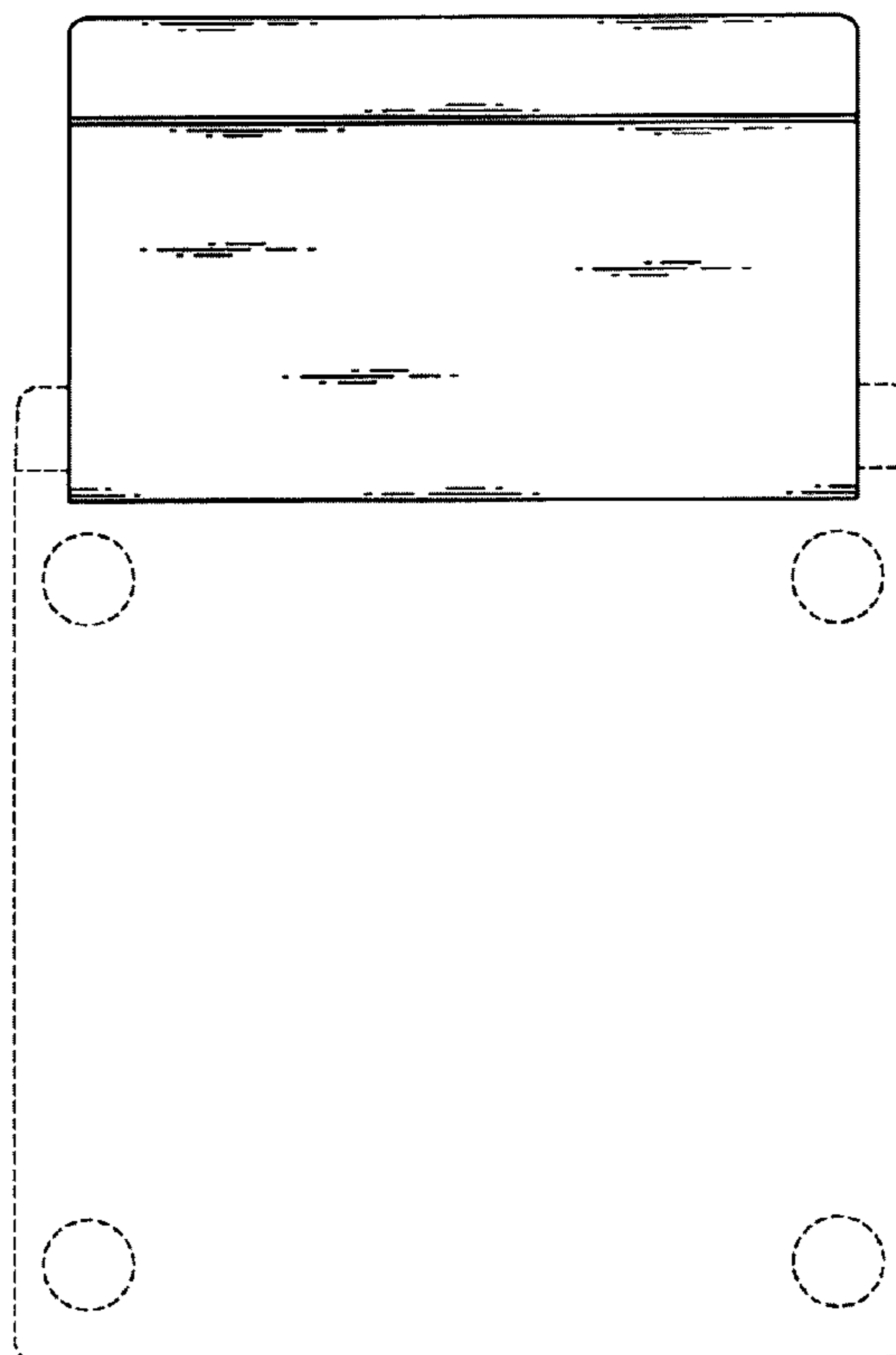


FIG. 8

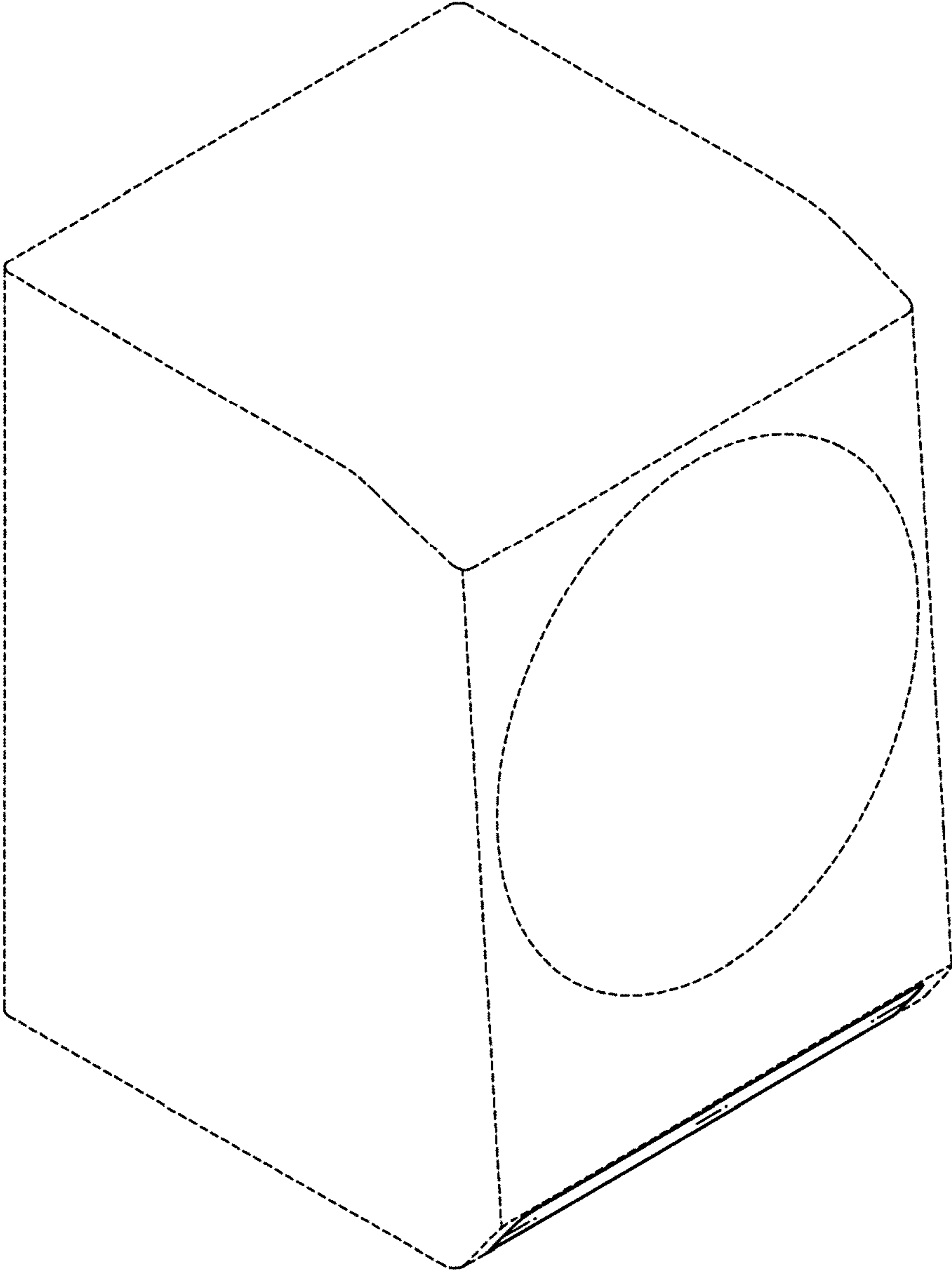


FIG. 9

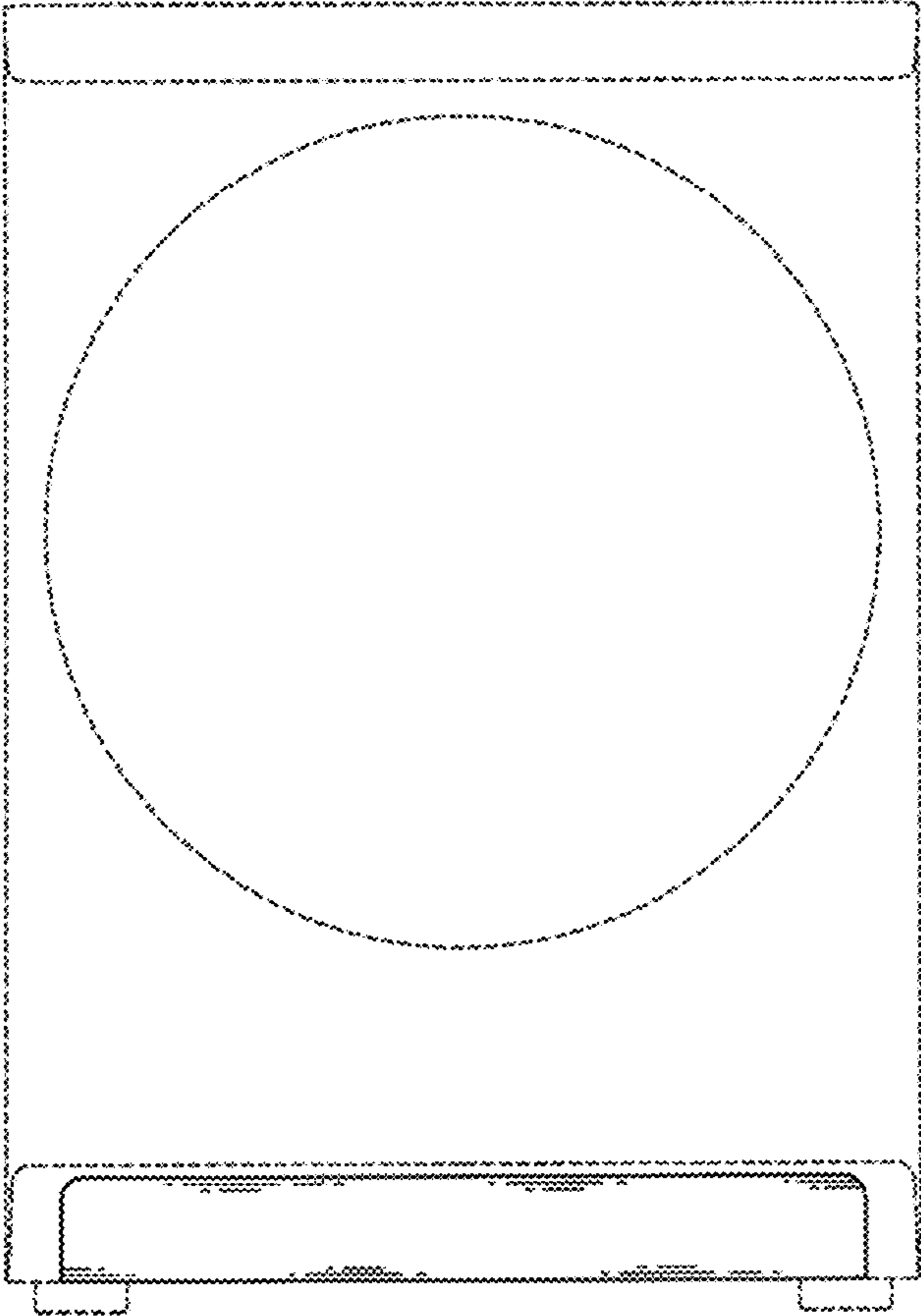


FIG. 10

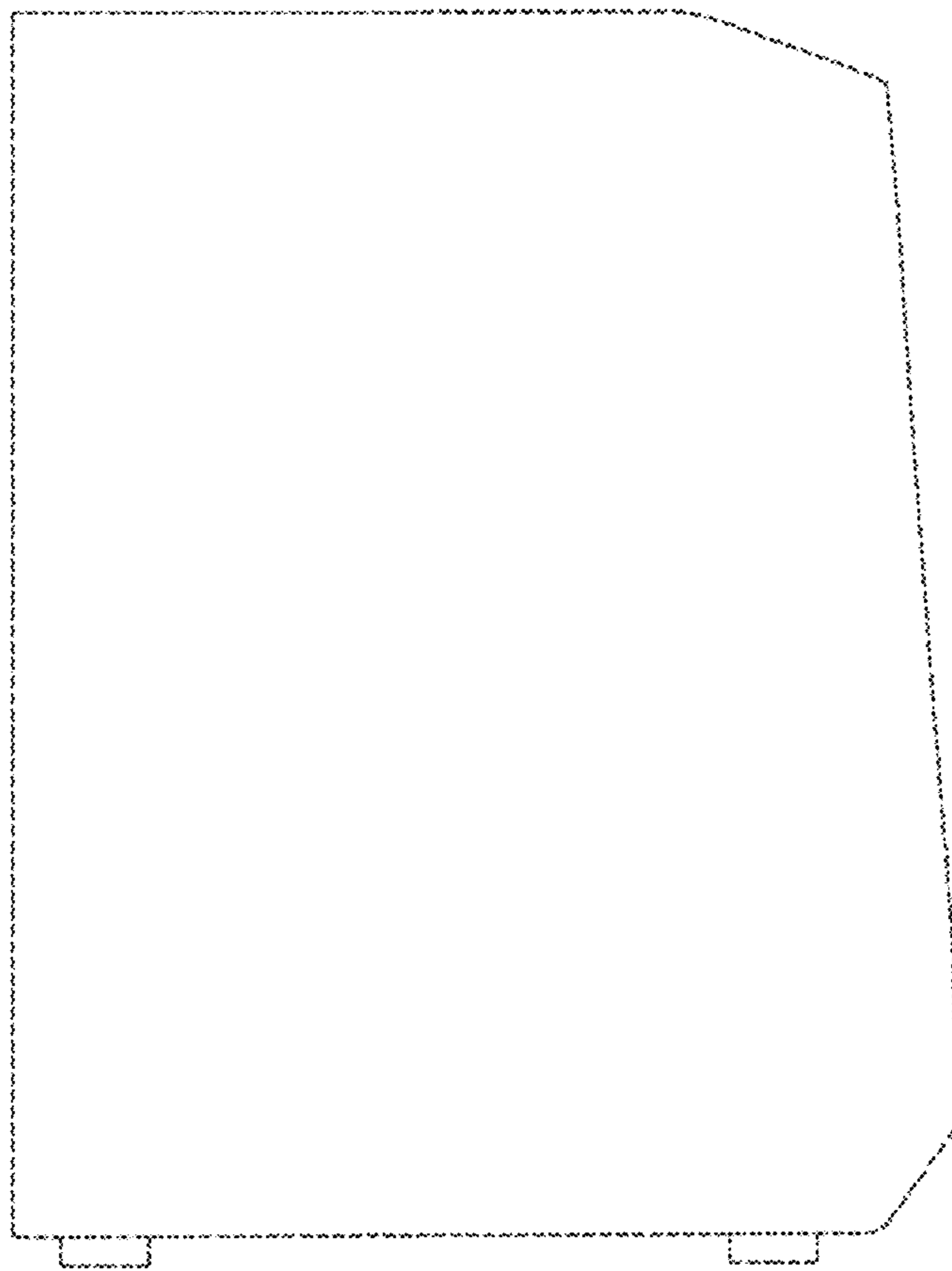


FIG. 11

