



US00D773131S

(12) **United States Design Patent**
Kim et al.

(10) **Patent No.:** **US D773,131 S**

(45) **Date of Patent:** **** Nov. 29, 2016**

(54) **CLEANER**

(71) Applicant: **Samsung Electronics Co., Ltd.**,
Suwon-si, Gyeonggi-do (KR)

(72) Inventors: **Kyung-Tae Kim**, Seoul (KR);
Min-Hyouk Bu, Seoul (KR);
Kyung-Soo Sun, Seoul (KR); **Kio Lee**,
Seoul (KR)

(73) Assignee: **SAMSUNG ELECTRONICS CO.,
LTD.** (KR)

(**) Term: **14 Years**

(21) Appl. No.: **29/503,239**

(22) Filed: **Sep. 24, 2014**

(30) **Foreign Application Priority Data**

Mar. 24, 2014 (KR) 30-2014-0014507

(51) **LOC (10) Cl.** **15-05**

(52) **U.S. Cl.**
USPC **D32/21**

(58) **Field of Classification Search**
USPC D32/17-18, 21-24, 31
CPC A47L 9/2842; A47L 9/08; A47L 9/20;
A47L 5/24; A47L 5/362; A47L 5/14; A47L
5/28; A47L 5/34; A47L 7/0038; E04H
4/1654; B62D 57/032
See application file for complete search history.

(56) **References Cited**

U.S. PATENT DOCUMENTS

D527,854 S * 9/2006 Marzynski D15/199
D548,411 S * 8/2007 Schroter D32/21

D569,563 S * 5/2008 Shin D32/18
D589,218 S * 3/2009 Shin D32/18
D611,209 S * 3/2010 Shin D32/18
D644,799 S * 9/2011 Bruneel D32/21
D659,920 S * 5/2012 Lee D32/21
D660,526 S * 5/2012 Erlich D32/18
D725,327 S * 3/2015 Houghton D32/18
D725,852 S * 3/2015 Houghton D32/18
D726,383 S * 4/2015 Milligan D32/18
D743,646 S * 11/2015 Fjellman D32/21
D747,578 S * 1/2016 Kim D32/31

* cited by examiner

Primary Examiner — Ruth McInroy

(74) *Attorney, Agent, or Firm* — Cantor Colburn LLP

(57) **CLAIM**

The ornamental design for a cleaner, as shown and described.

DESCRIPTION

FIG. 1 is a perspective view of a cleaner, showing our new design;
FIG. 2 is a front view thereof;
FIG. 3 is a rear view thereof;
FIG. 4 is a side view thereof;
FIG. 5 is another side view thereof;
FIG. 6 is a top view thereof;
FIG. 7 is a bottom view thereof;
FIG. 8 is a perspective view in an alternate position;
FIG. 9 is a front view of FIG. 8; and,
FIG. 10 is a bottom perspective view of FIG. 1.
The broken lines are for environmental purpose only and form no part of the claimed design.

1 Claim, 10 Drawing Sheets

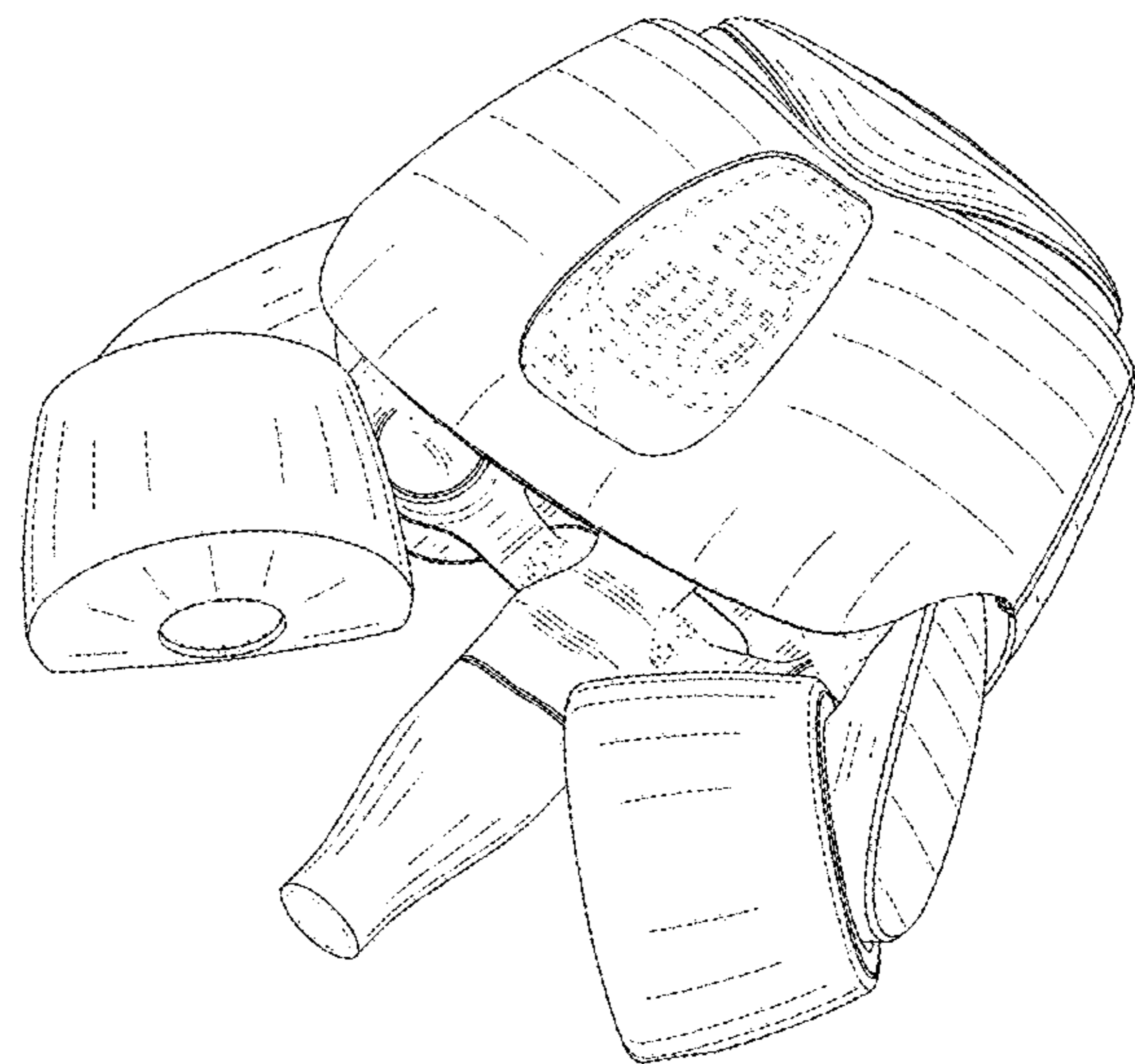
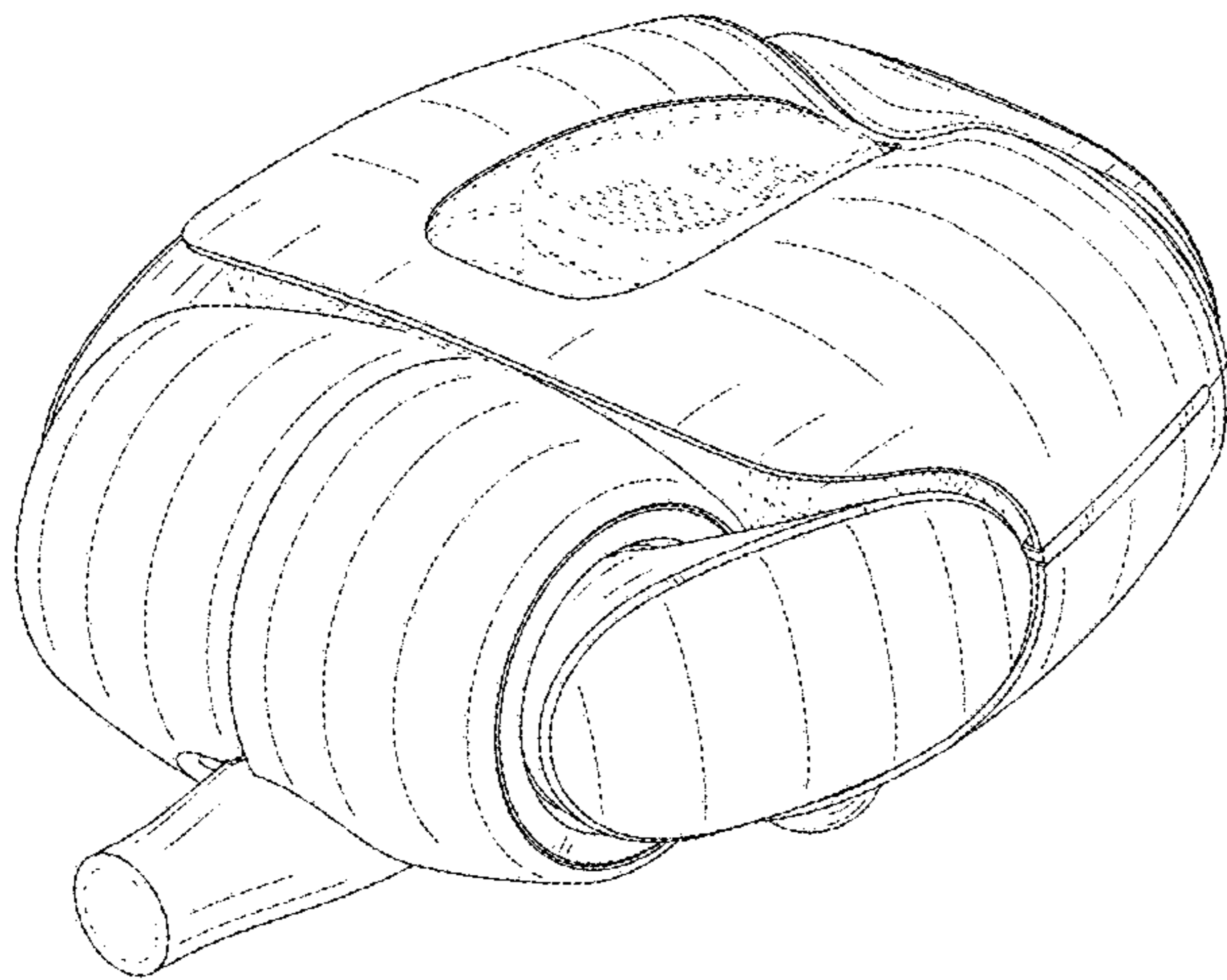


FIG. 1

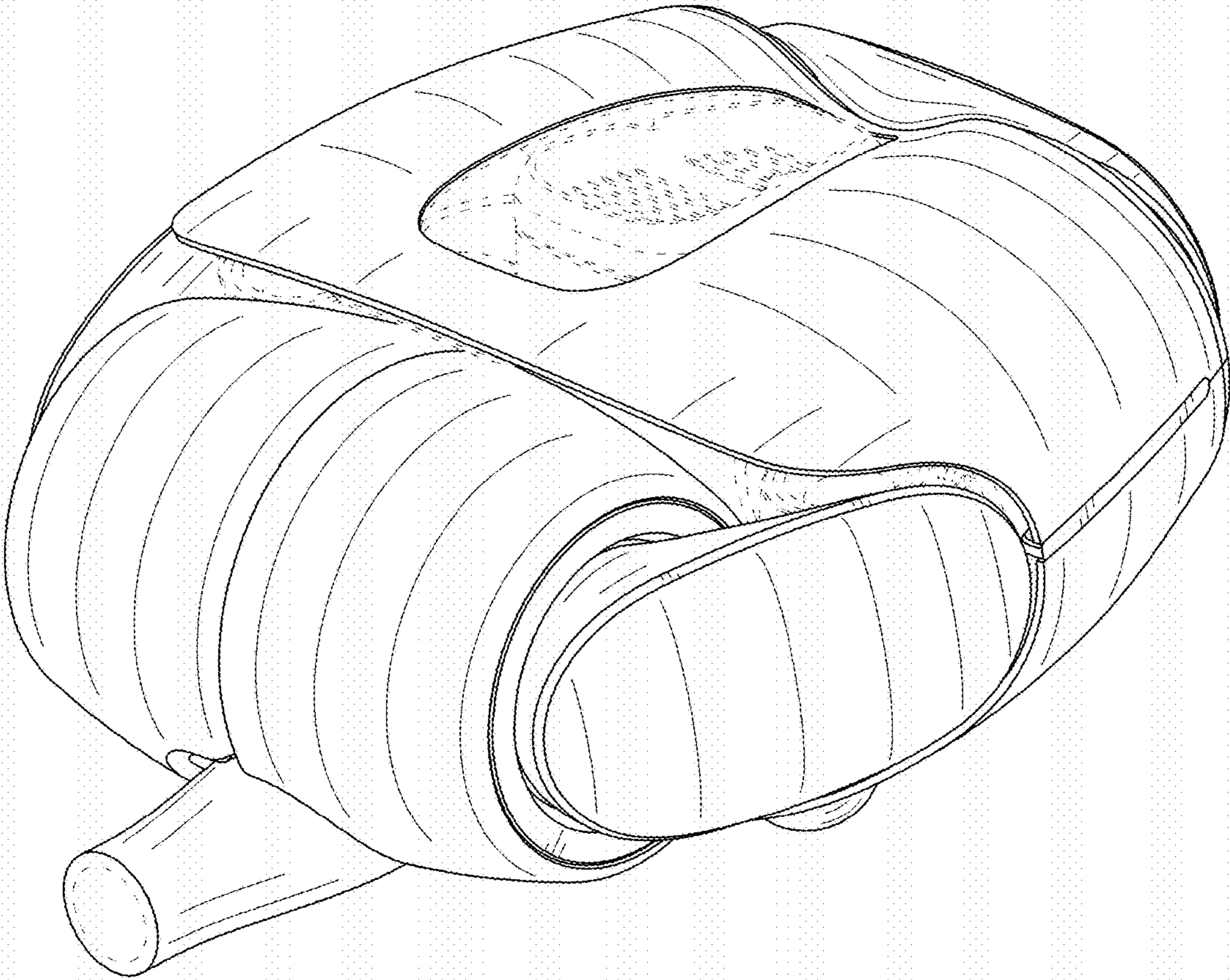


FIG. 2

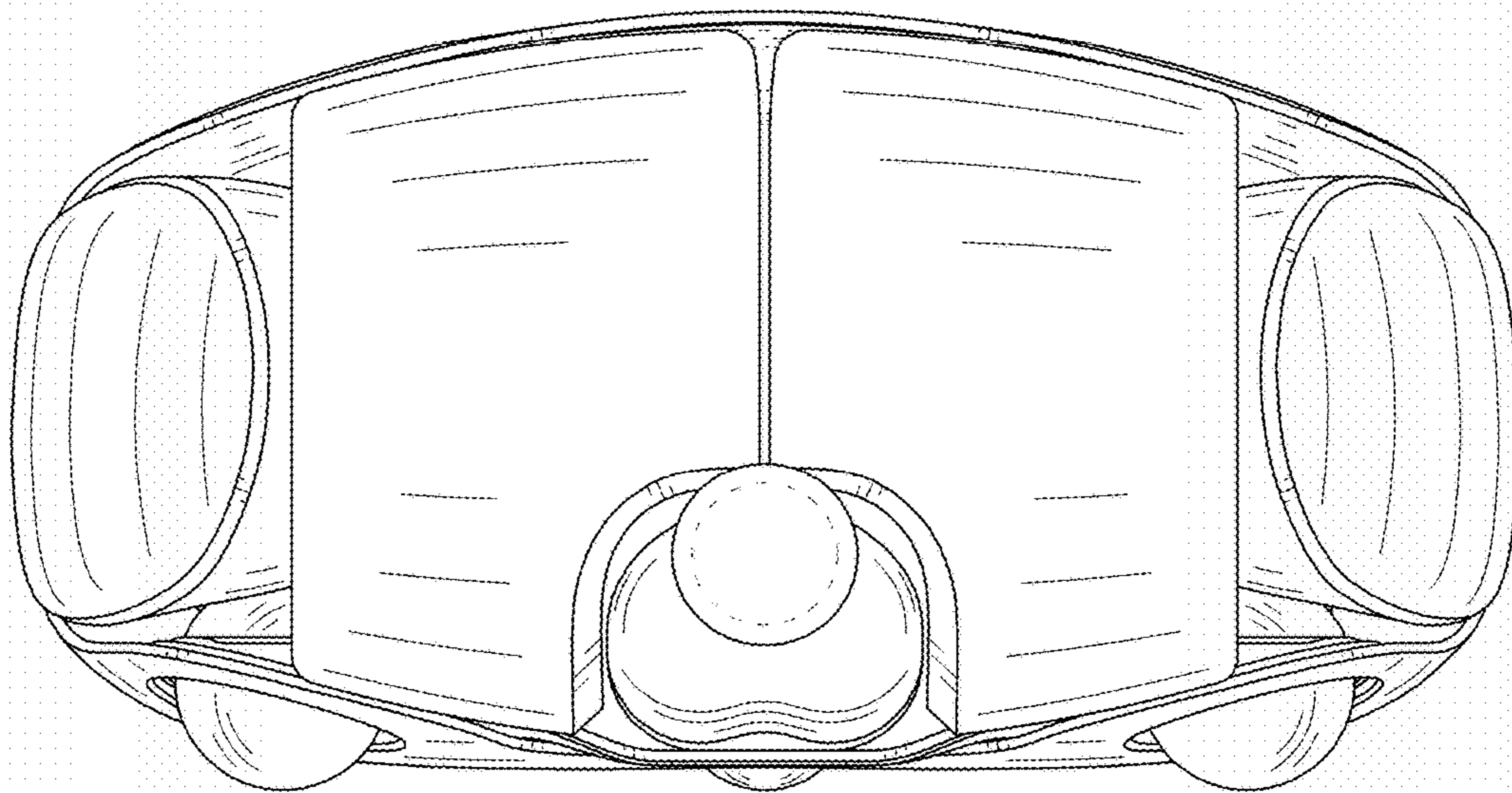


FIG. 3

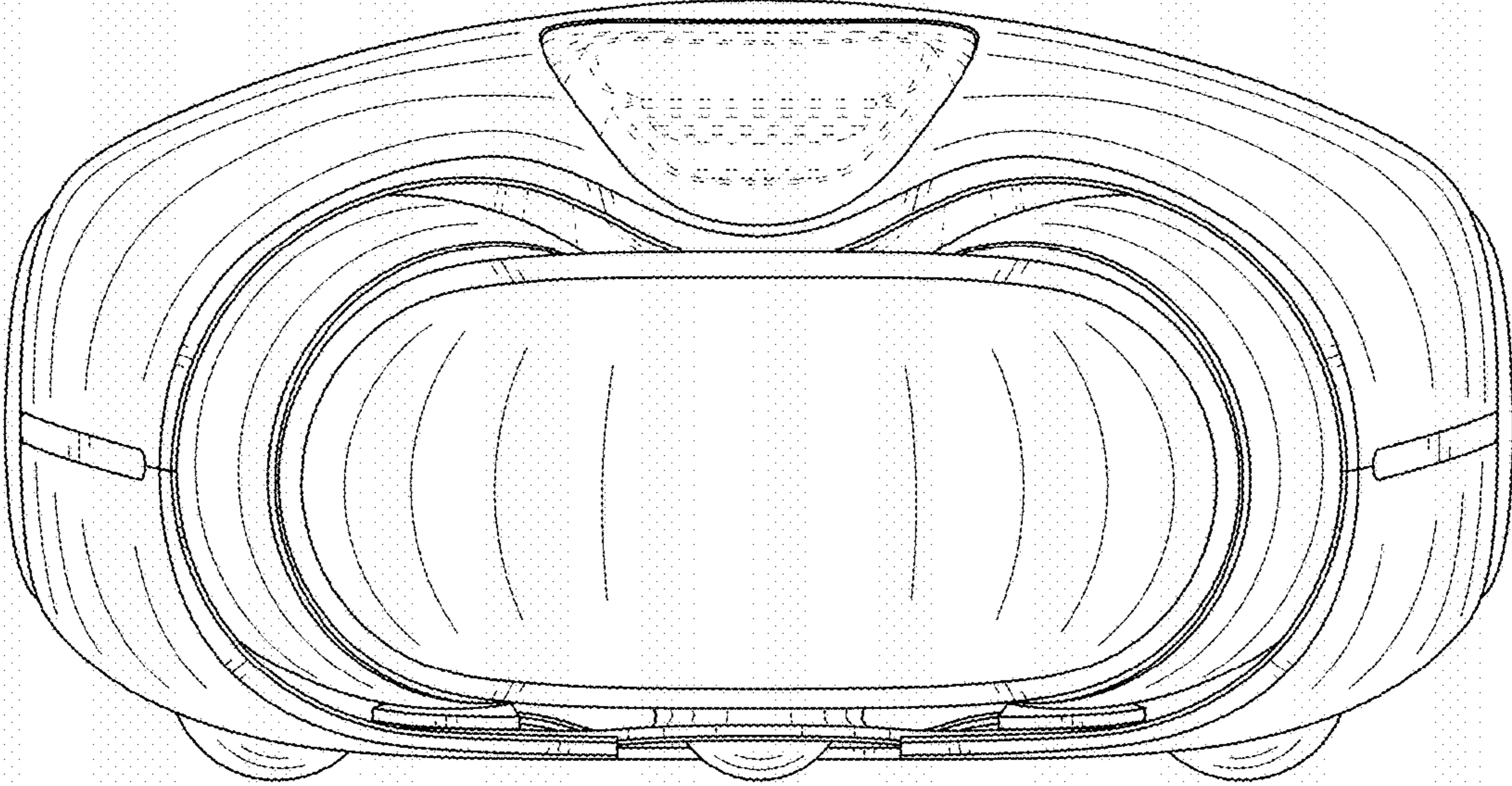


FIG. 4

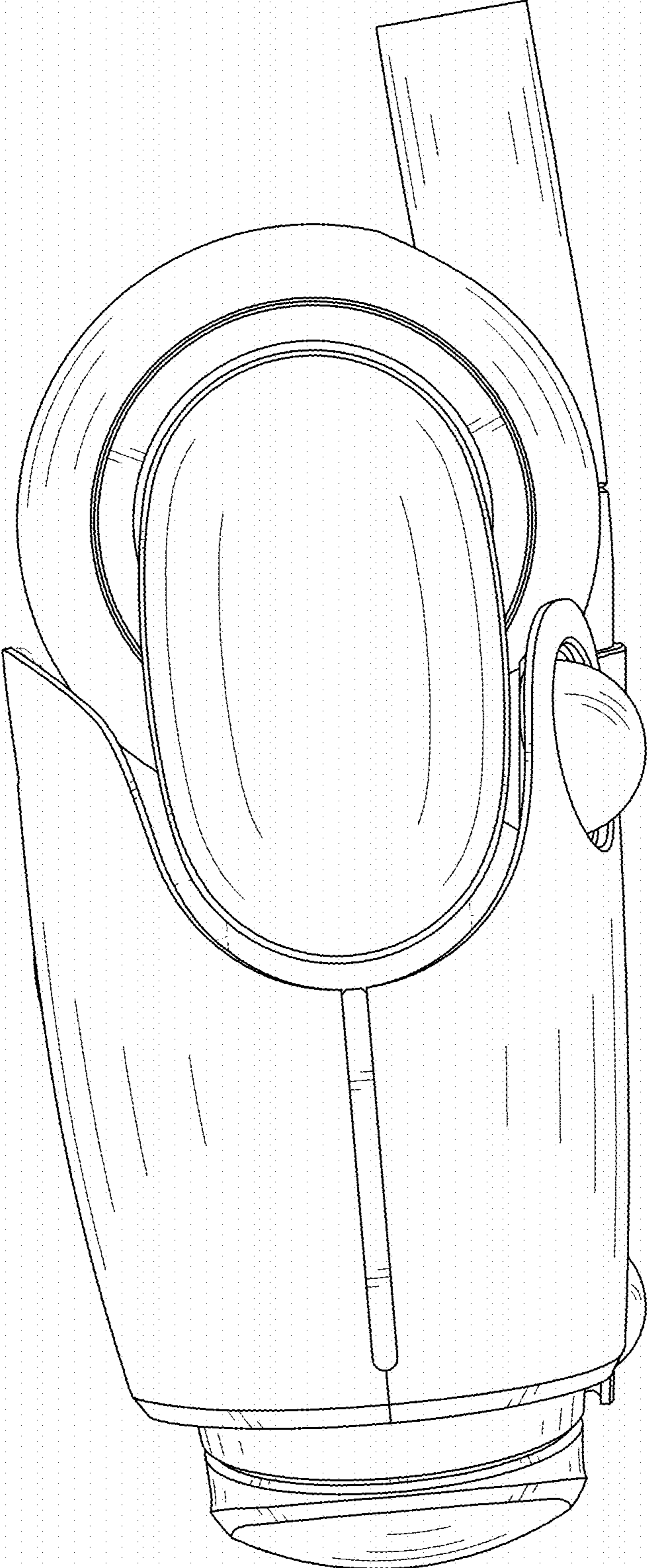


FIG. 5

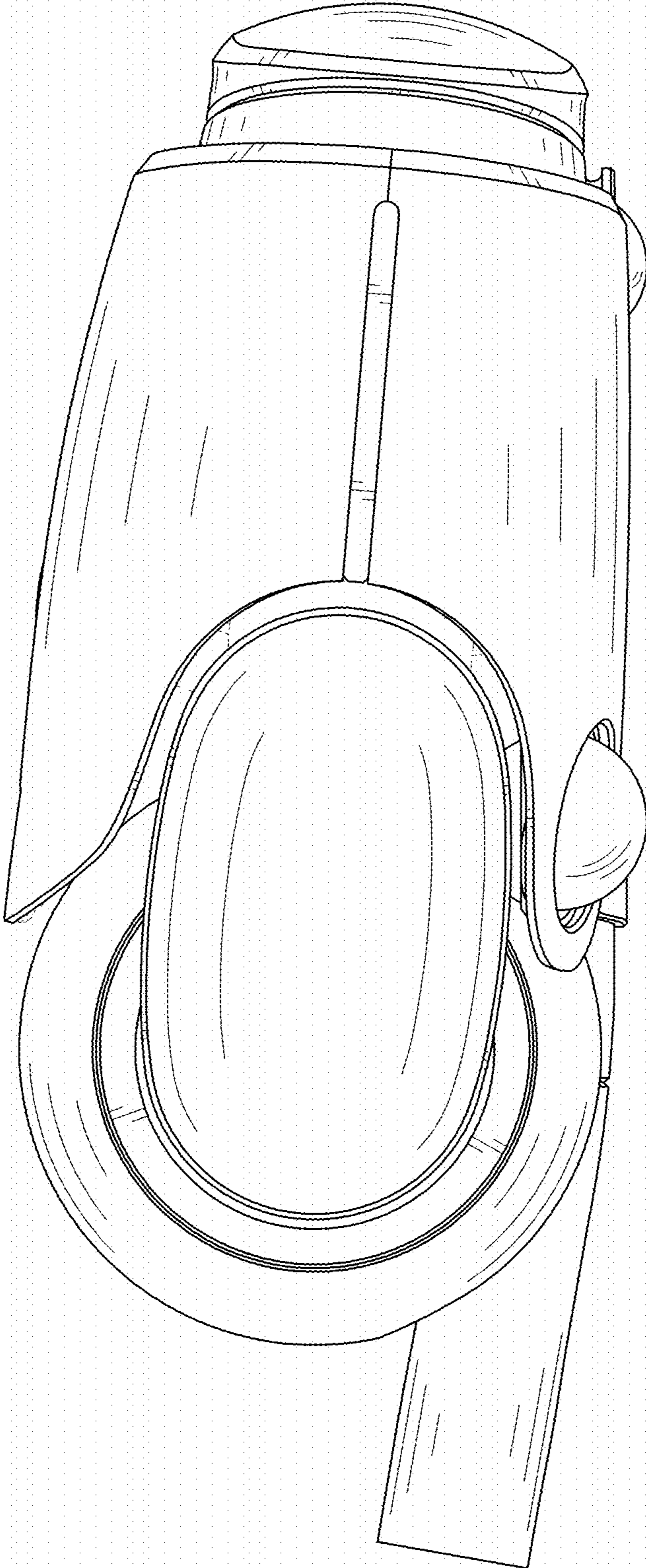


FIG. 6

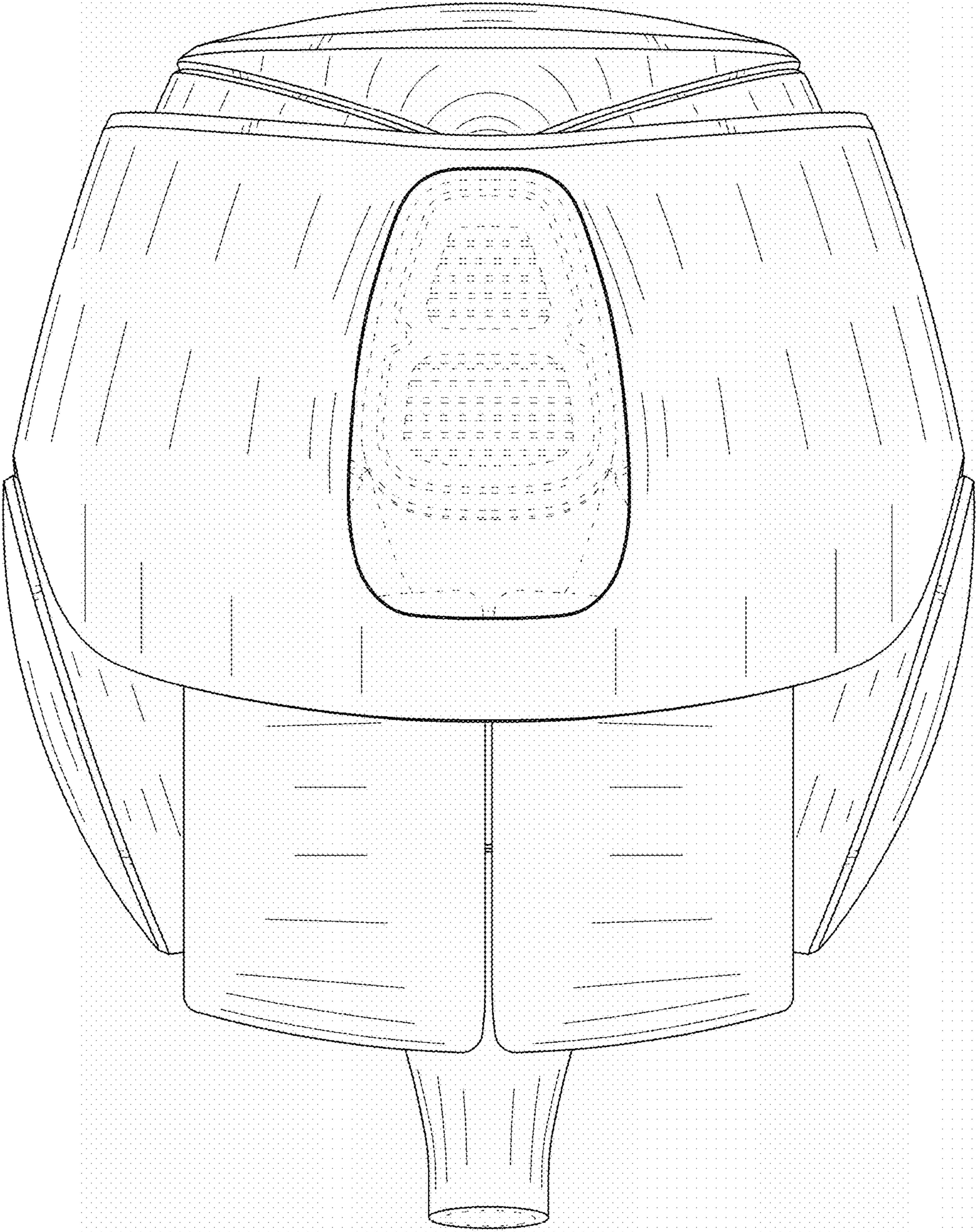


FIG. 7

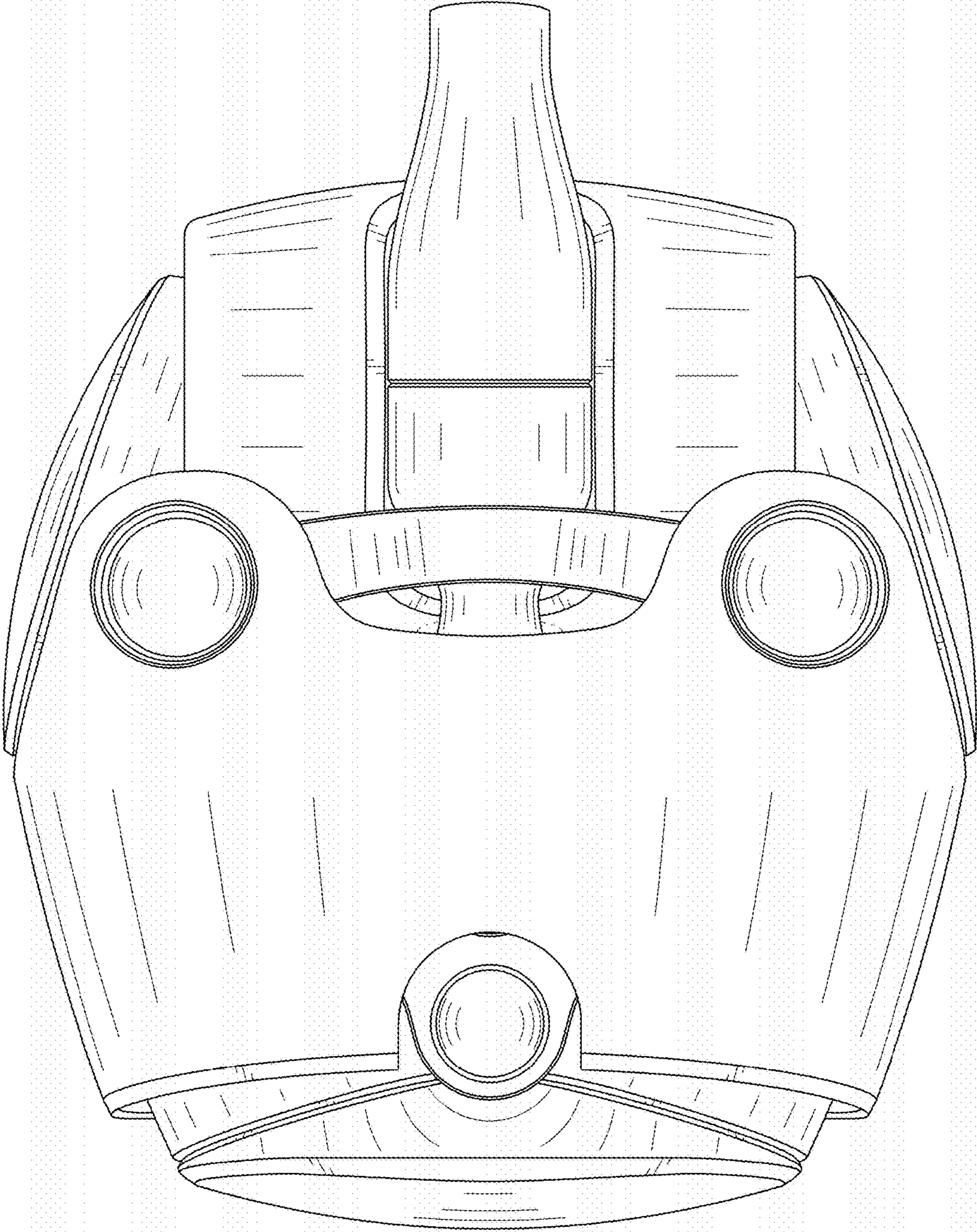


FIG. 8

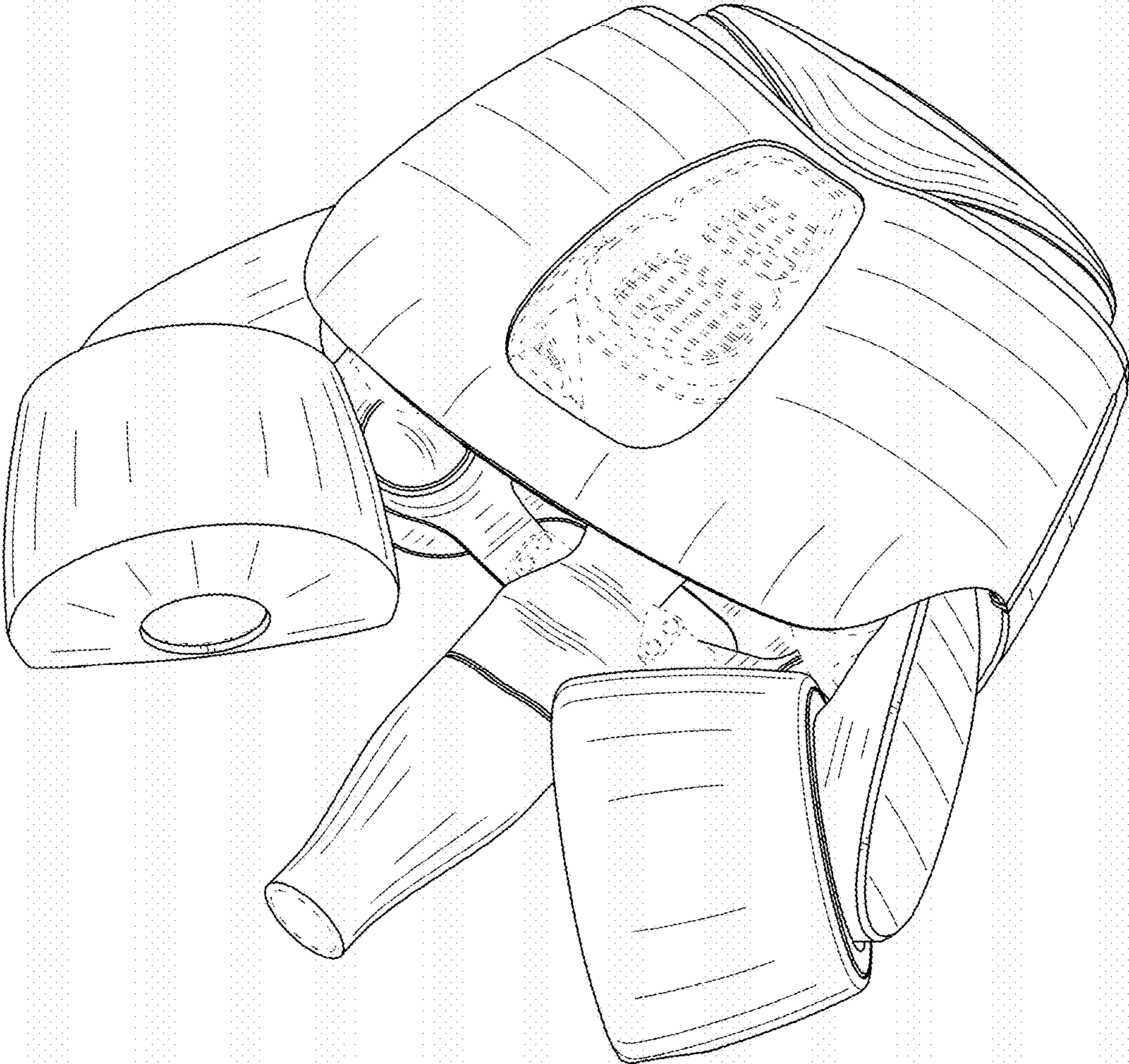


FIG. 9

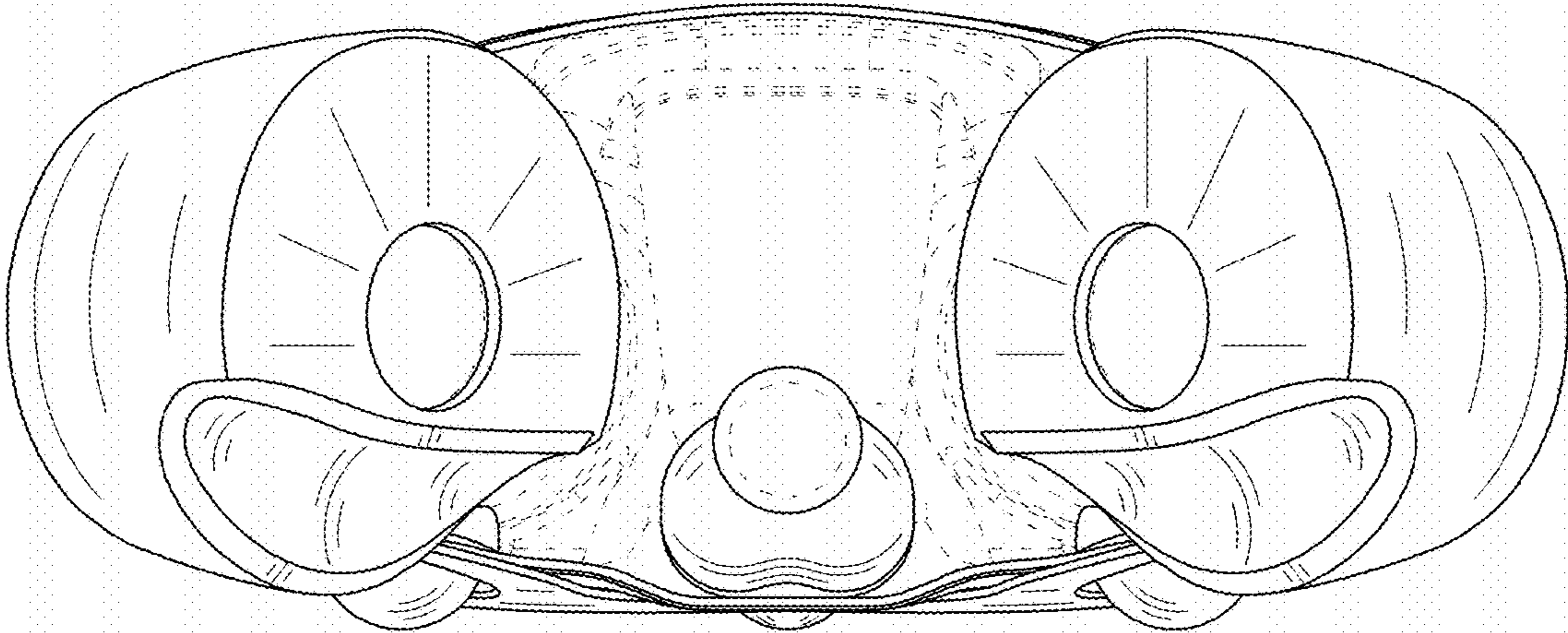


FIG. 10

