



US00D773129S

(12) **United States Design Patent** (10) **Patent No.:** **US D773,129 S**
Yun et al. (45) **Date of Patent:** **** Nov. 29, 2016**

(54) **WASHING MACHINE**

(71) Applicant: **Samsung Electronics Co., Ltd.**,
Suwon-si (KR)

(72) Inventors: **Deoksang Yun**, Uiwang-si (KR);
Junghoon Hwang, Yongin-si (KR)

(73) Assignee: **Samsung Electronics Co., Ltd.**,
Suwon-si (KR)

(**) Term: **15 Years**

(21) Appl. No.: **29/534,706**

(22) Filed: **Jul. 30, 2015**

(30) **Foreign Application Priority Data**

Apr. 29, 2015 (KR) 30-2015-0022215

(51) **LOC (10) Cl.** **15-05**

(52) **U.S. Cl.**
USPC **D32/6**

(58) **Field of Classification Search**

USPC D32/1, 5, 6, 8, 12, 25, 28, 29
CPC .. D06F 33/02; D06F 39/02; D06F 2204/065;
D06F 25/00; D06F 35/006; D06F 58/00;
D06F 58/02; D06F 58/04; D06F 58/20;
D06F 23/04; G05B 19/042

See application file for complete search history.

(56) **References Cited**

U.S. PATENT DOCUMENTS

5,687,590 A * 11/1997 Borroni D06F 39/028
68/17 R
D495,775 S * 9/2004 Sagawa D32/5
D618,864 S * 6/2010 Jeon D32/6
D625,476 S * 10/2010 Lee D32/6
D625,889 S * 10/2010 Lee D32/6
D627,115 S * 11/2010 Jeon D32/6
D631,623 S * 1/2011 Chung D32/6
D631,624 S * 1/2011 Chung D32/6

D634,492 S * 3/2011 Chung D32/6
D635,313 S * 3/2011 Jeon D32/6
D636,953 S * 4/2011 Lee D32/6
D659,307 S * 5/2012 Geyer D32/6
D665,543 S * 8/2012 Kim D32/6
D675,793 S * 2/2013 Geyer D32/6
D688,013 S * 8/2013 Kim D32/6
8,516,860 B2 * 8/2013 Persson 68/19
D690,061 S * 9/2013 Kim D32/6
D693,973 S * 11/2013 Geyer D32/6
D694,966 S * 12/2013 Borjesson D32/6
D697,678 S * 1/2014 Jeon D32/6

(Continued)

Primary Examiner — T. Chase Nelson

Assistant Examiner — Michelle E Wilson

(74) *Attorney, Agent, or Firm* — NSIP Law

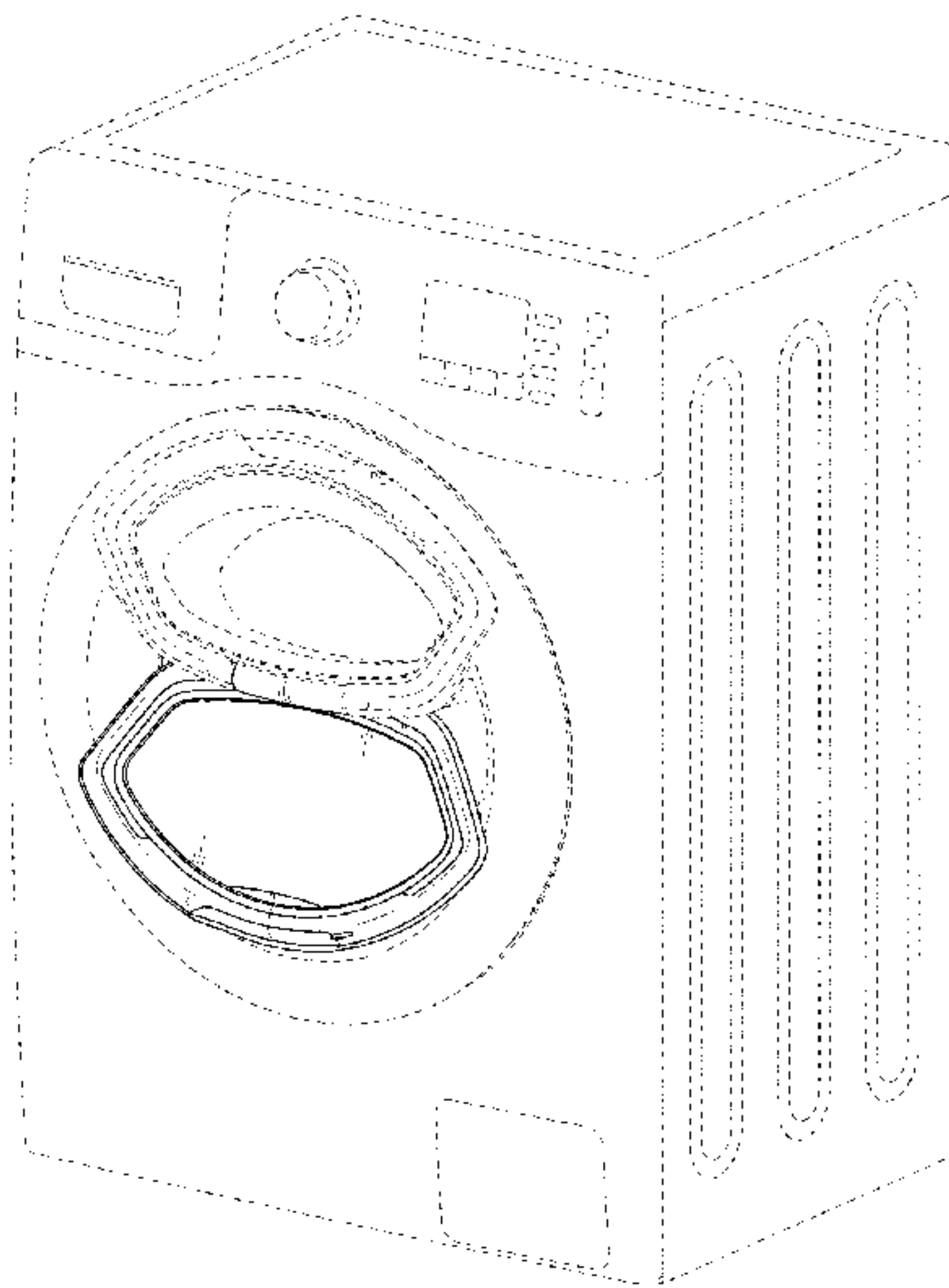
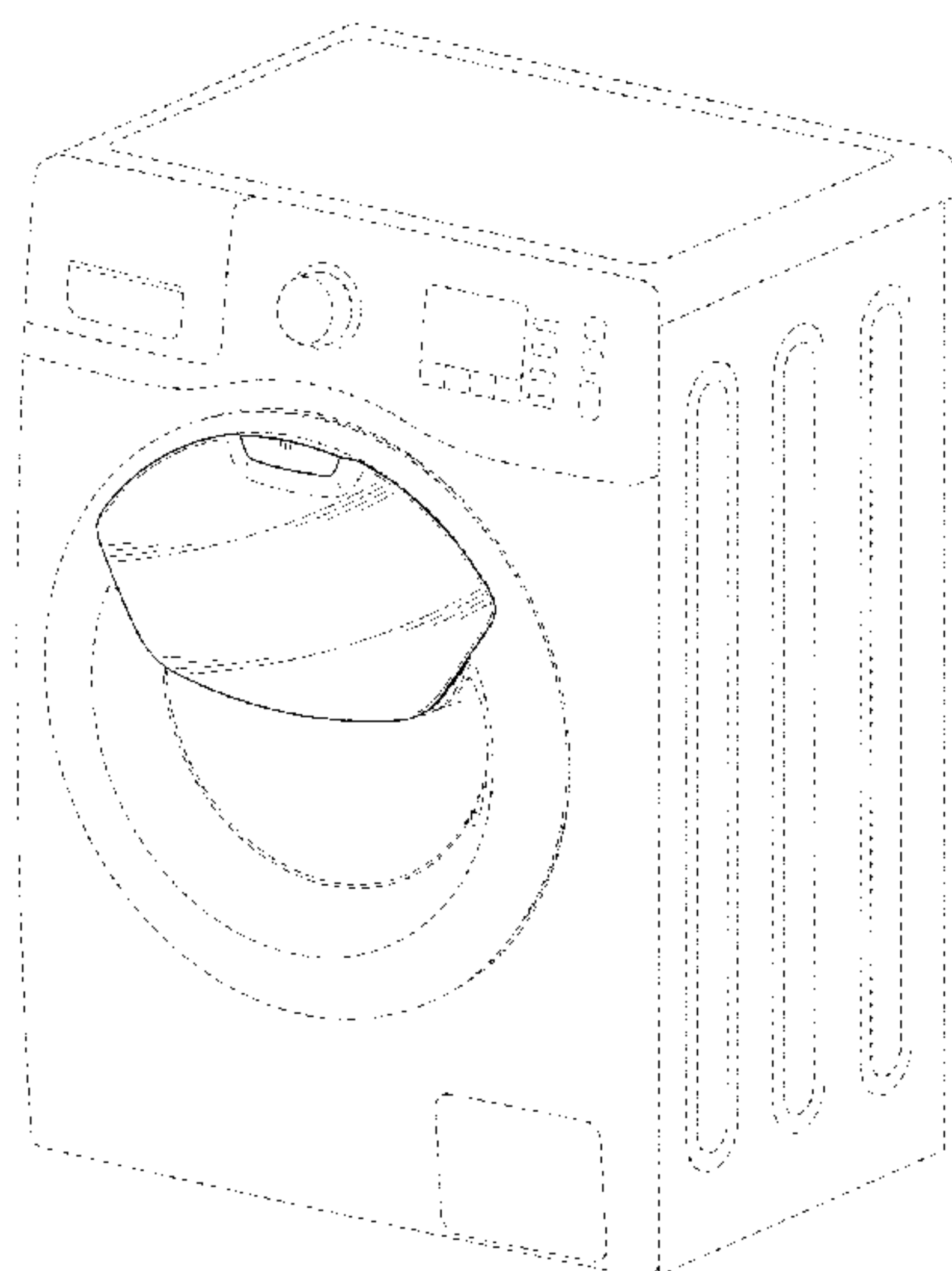
(57) **CLAIM**

We claim the ornamental design for a washing machine, as shown and described.

DESCRIPTION

FIG. 1 is a front perspective view of a washing machine showing our new design;
 FIG. 2 is a front view thereof;
 FIG. 3 is a rear view thereof;
 FIG. 4 is a left-side view thereof;
 FIG. 5 is a right-side view thereof;
 FIG. 6 is a top view thereof;
 FIG. 7 is a bottom view thereof;
 FIG. 8 is a front perspective view of the washing machine shown in an alternate position;
 FIG. 9 is a front view thereof;
 FIG. 10 is a rear view thereof;
 FIG. 11 is a left-side view thereof;
 FIG. 12 is a right-side view thereof;
 FIG. 13 is a top view thereof; and,
 FIG. 14 is a bottom view thereof.
 The broken lines in the figures show portions of the washing machine which form no part of the claimed design.

1 Claim, 14 Drawing Sheets



(56)

References Cited

U.S. PATENT DOCUMENTS

D700,409 S * 2/2014 Takahashi D32/25
8,713,976 B2 * 5/2014 Hoppe 68/12.04
D706,999 S * 6/2014 Cho D32/6
D708,799 S * 7/2014 Choi D32/6
D708,800 S * 7/2014 Choi D32/6
D714,502 S * 9/2014 Jeon D32/25
D729,996 S * 5/2015 Hwang D32/6
D729,997 S * 5/2015 Hwang D32/6
D730,596 S * 5/2015 Kim D32/6
D730,601 S * 5/2015 Jinnam D32/25
D730,602 S * 5/2015 Choi D32/25
D731,126 S * 6/2015 Ha D32/6

D731,127 S * 6/2015 Ha D32/6
D731,128 S * 6/2015 Ha D32/6
D731,129 S * 6/2015 Ha D32/6
D731,131 S * 6/2015 Ha D32/25
D732,250 S * 6/2015 Borjesson D32/6
D732,763 S * 6/2015 Hwang D32/6
D732,767 S * 6/2015 Ha D32/25
D732,768 S * 6/2015 Choi D32/25
D733,371 S * 6/2015 Chung D32/6
D747,575 S * 1/2016 Choi D32/28
D749,804 S * 2/2016 Ha D32/6
D749,806 S * 2/2016 Hwang D32/25
D758,681 S * 6/2016 Park D32/25
D758,682 S * 6/2016 Kim D32/25

* cited by examiner

FIG. 1

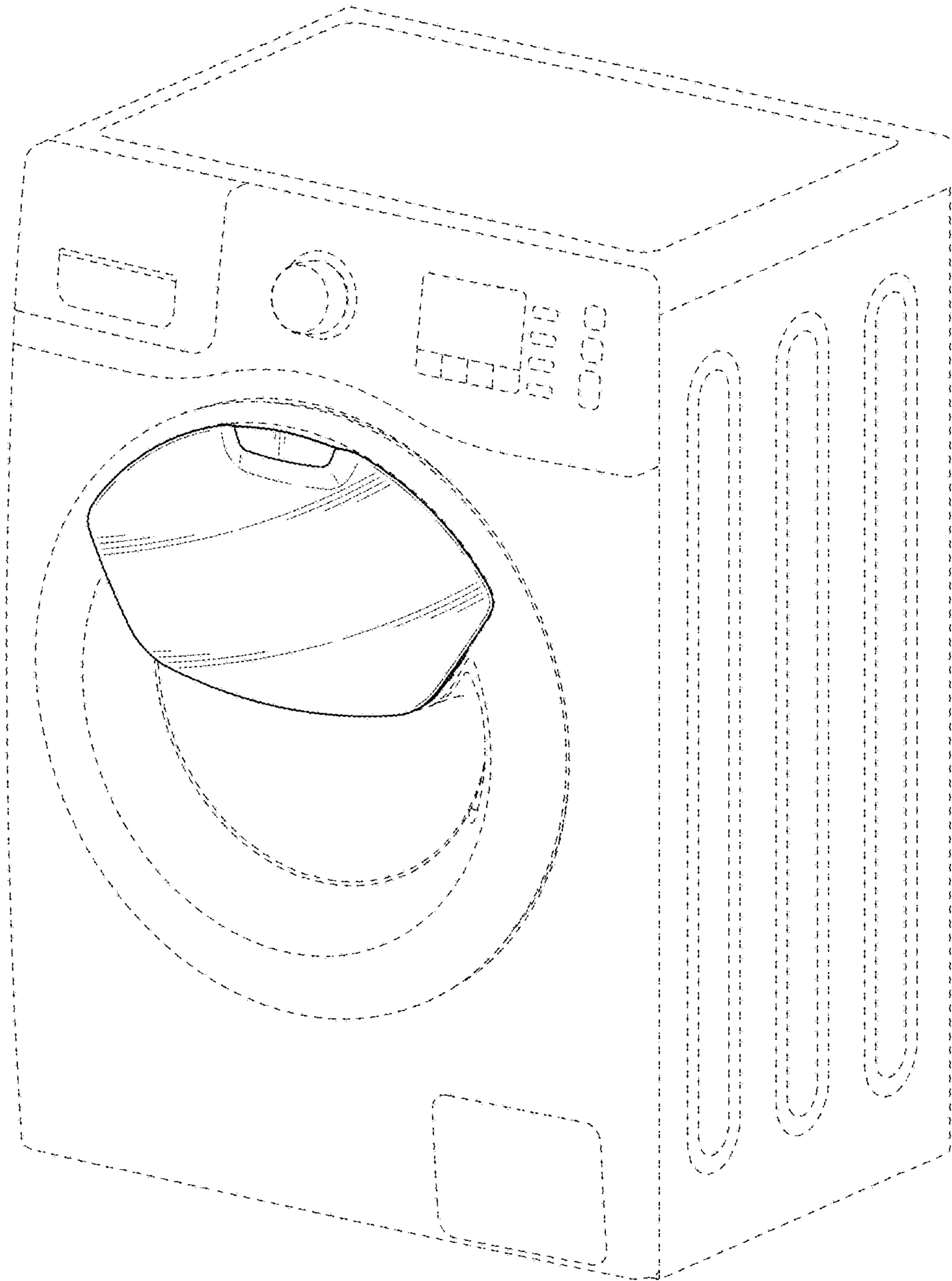


FIG. 2

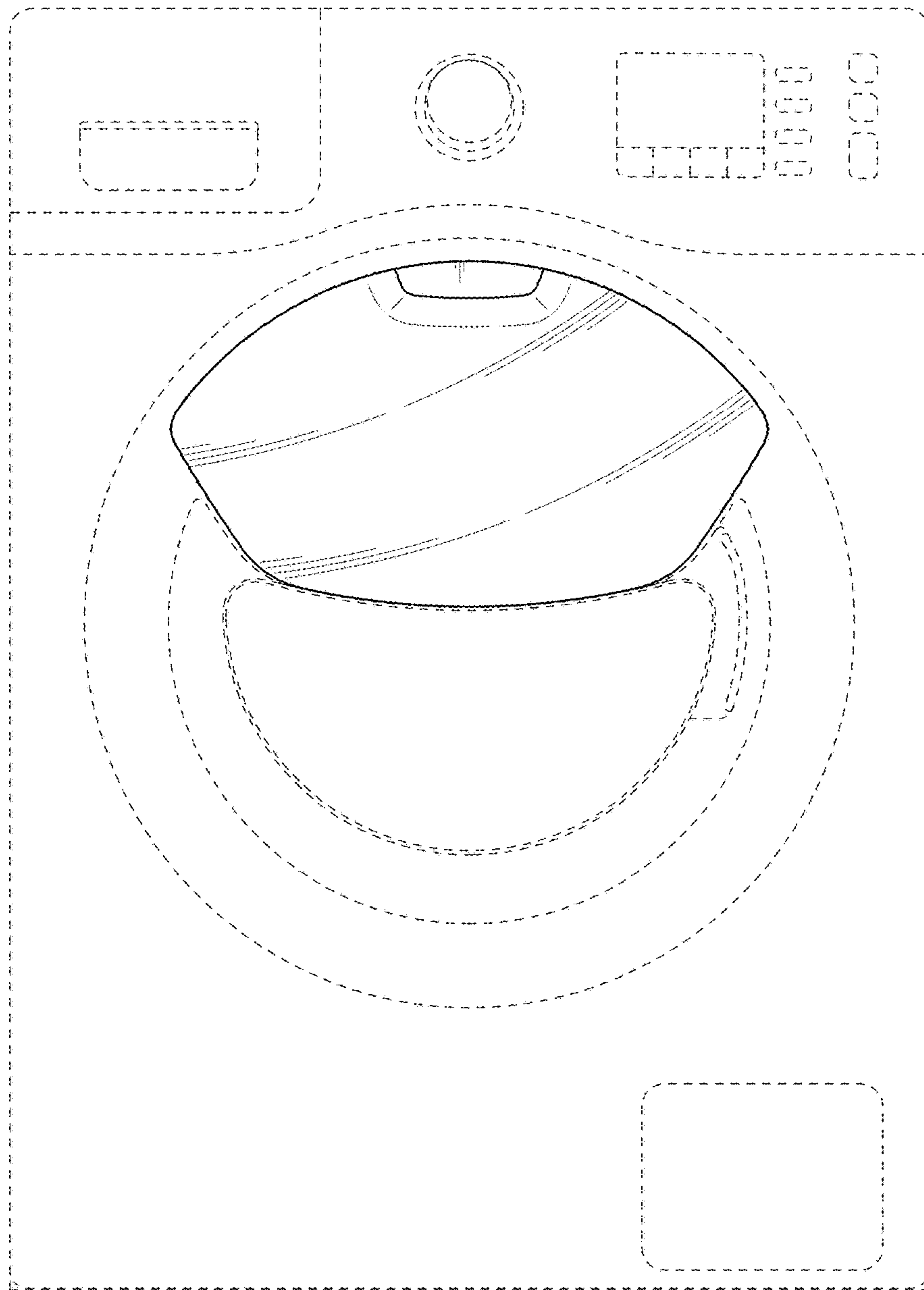


FIG. 3

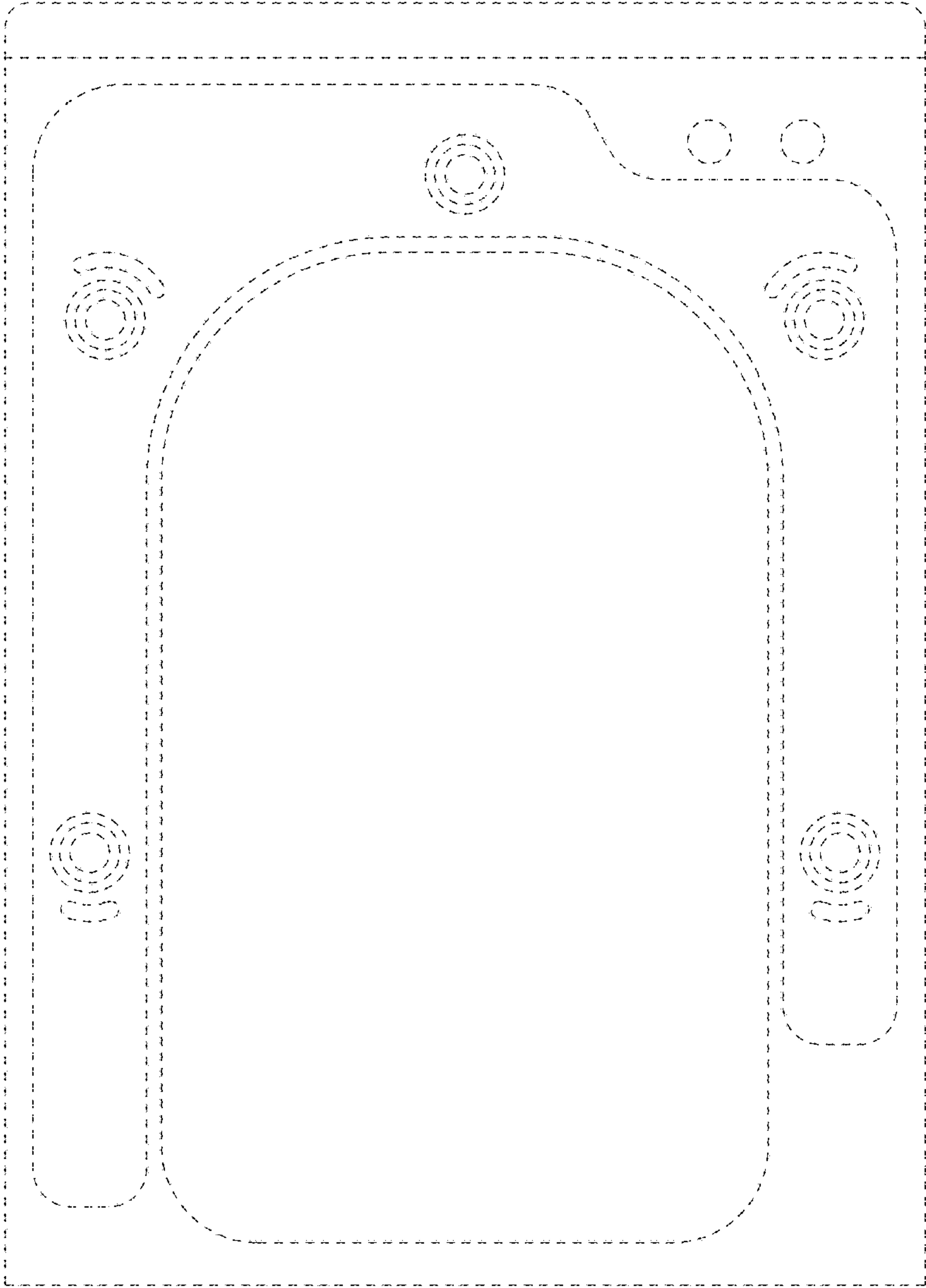


FIG. 4

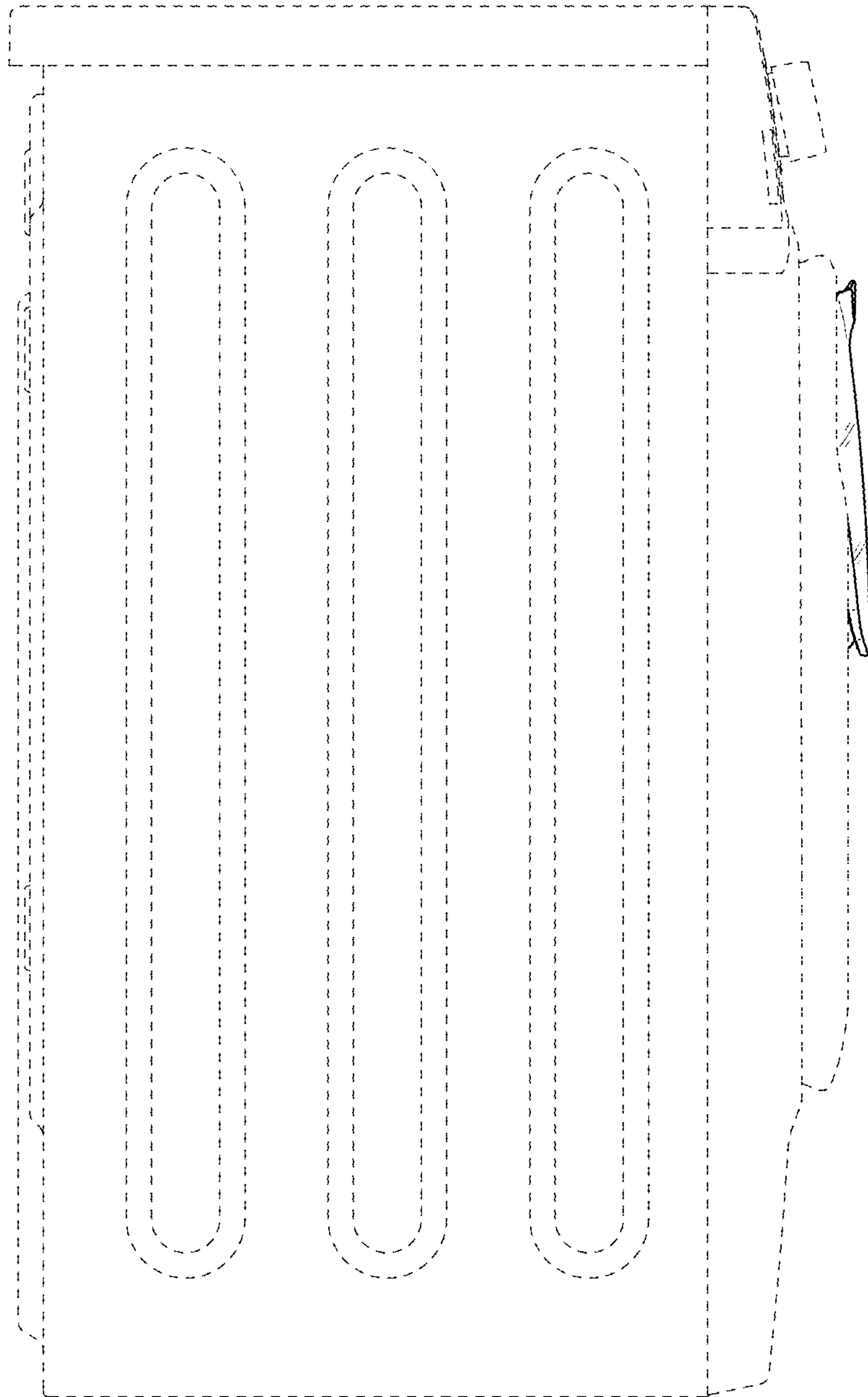


FIG. 5

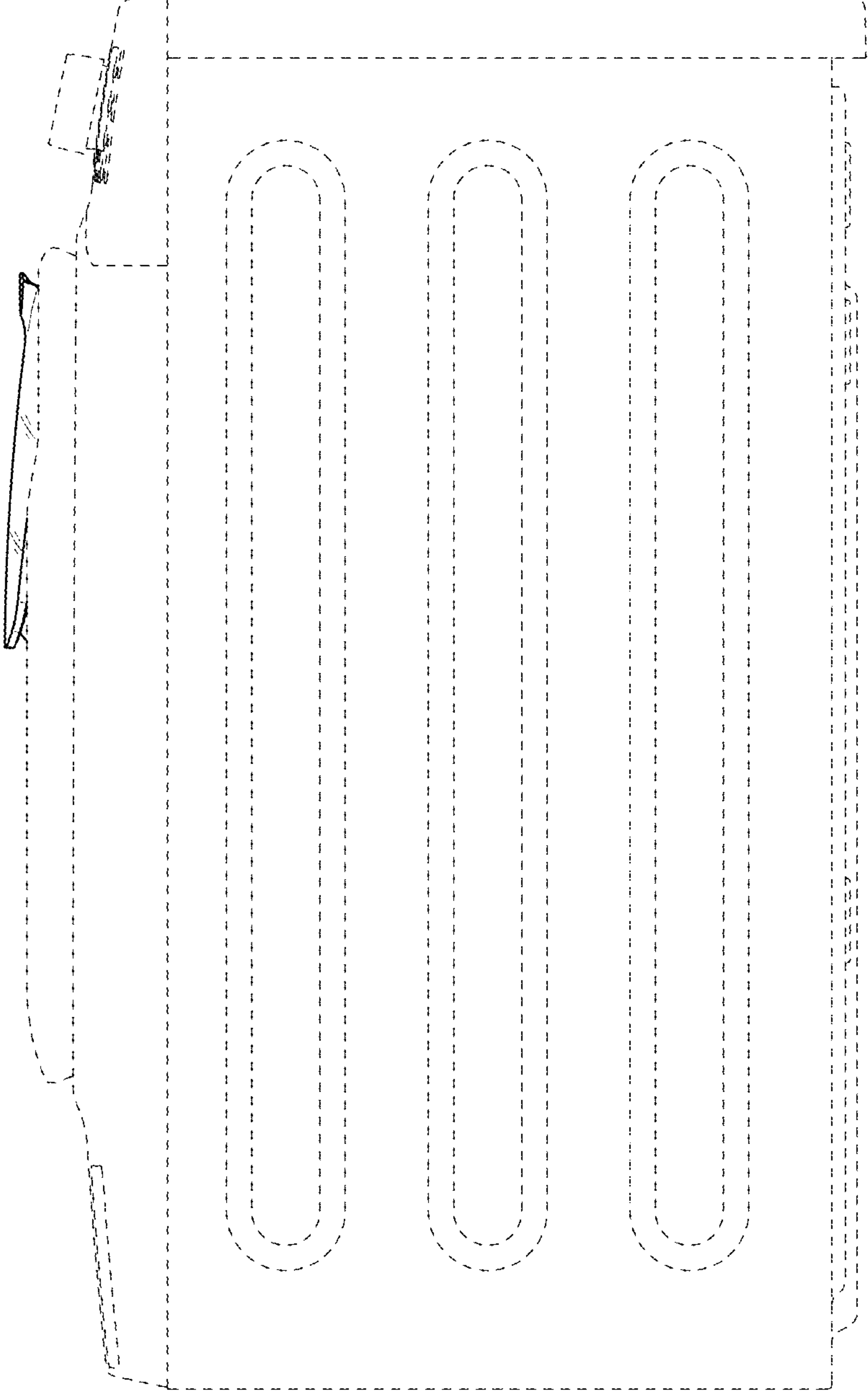


FIG. 6

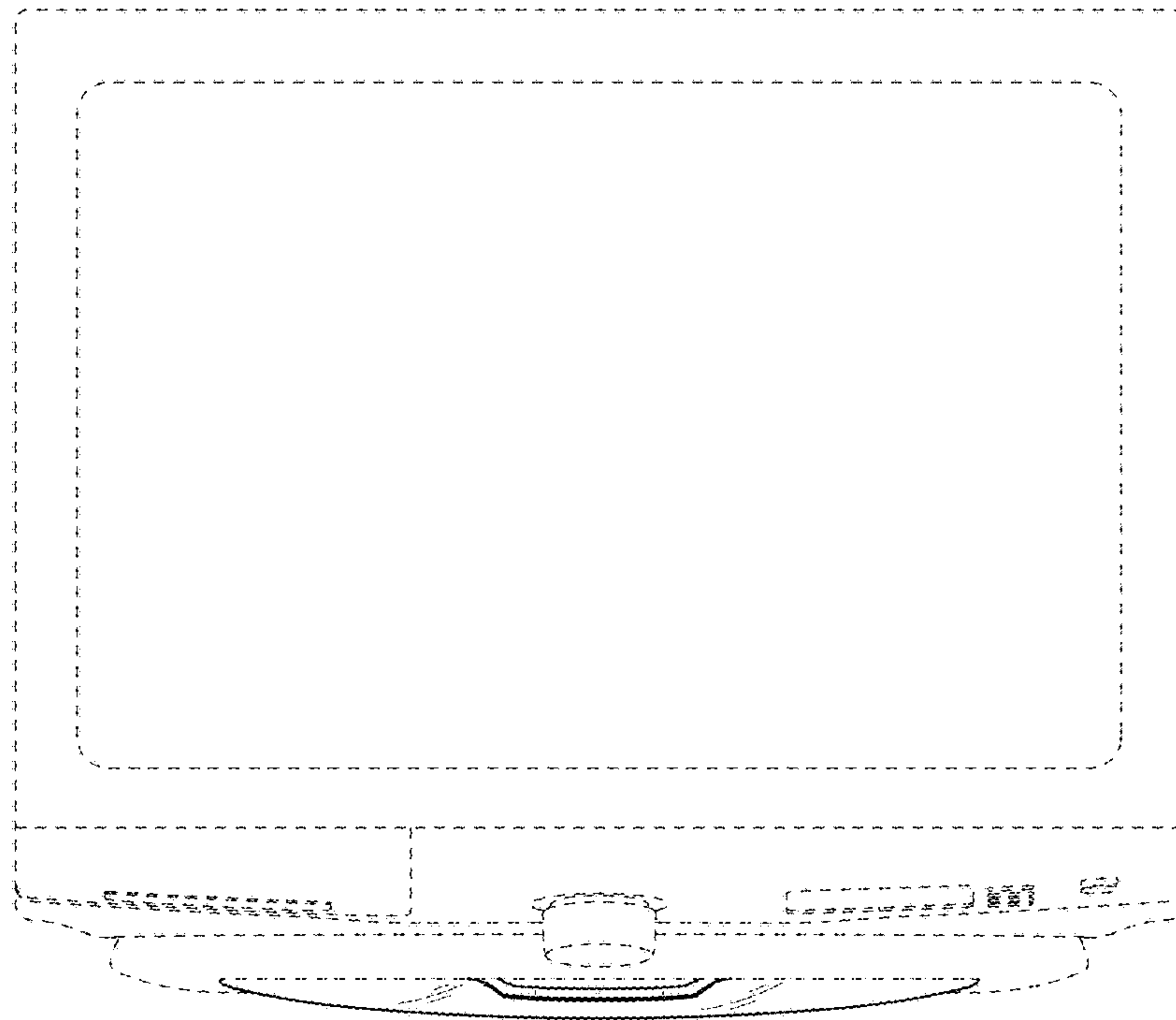


FIG. 7

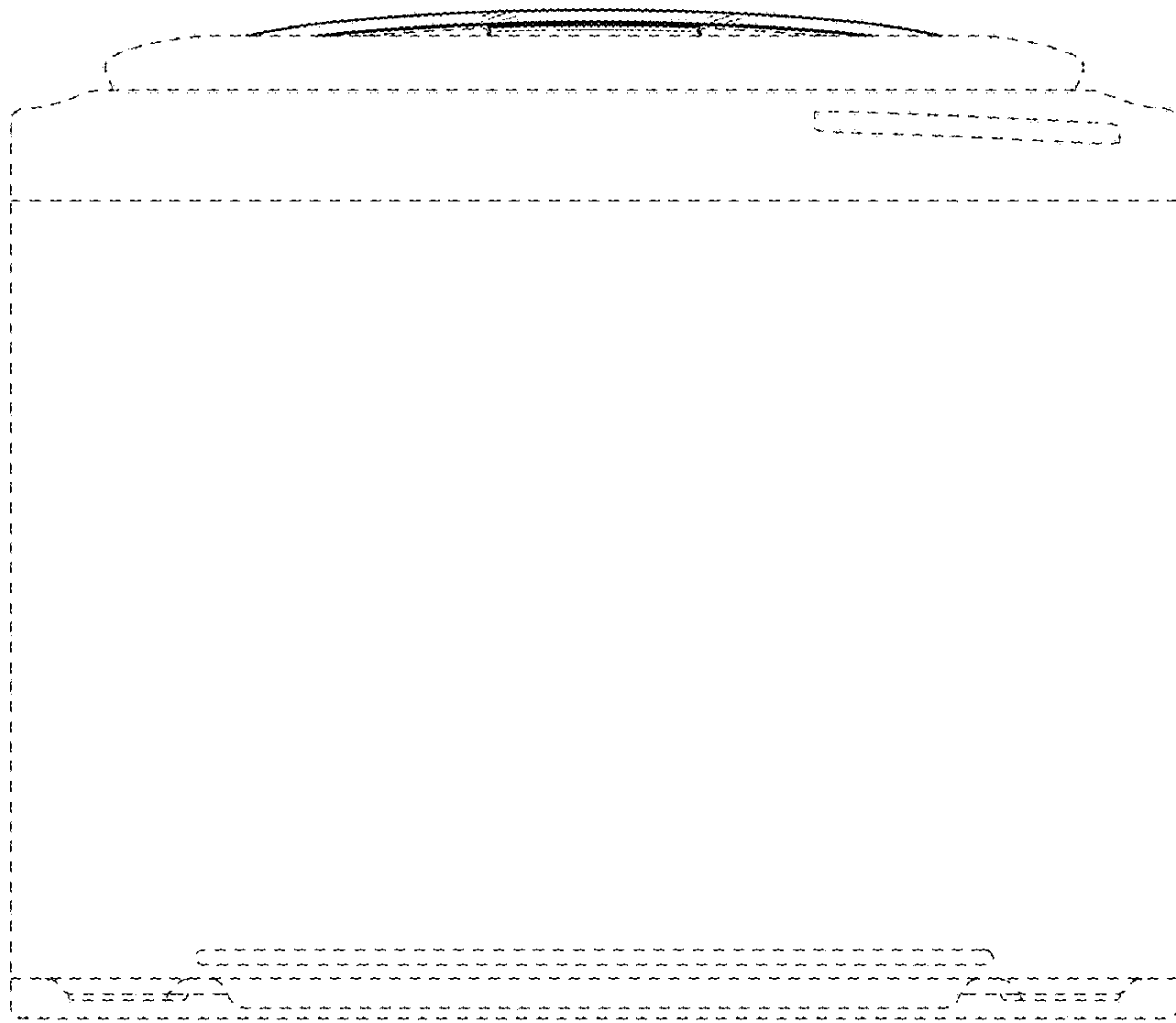


FIG. 8

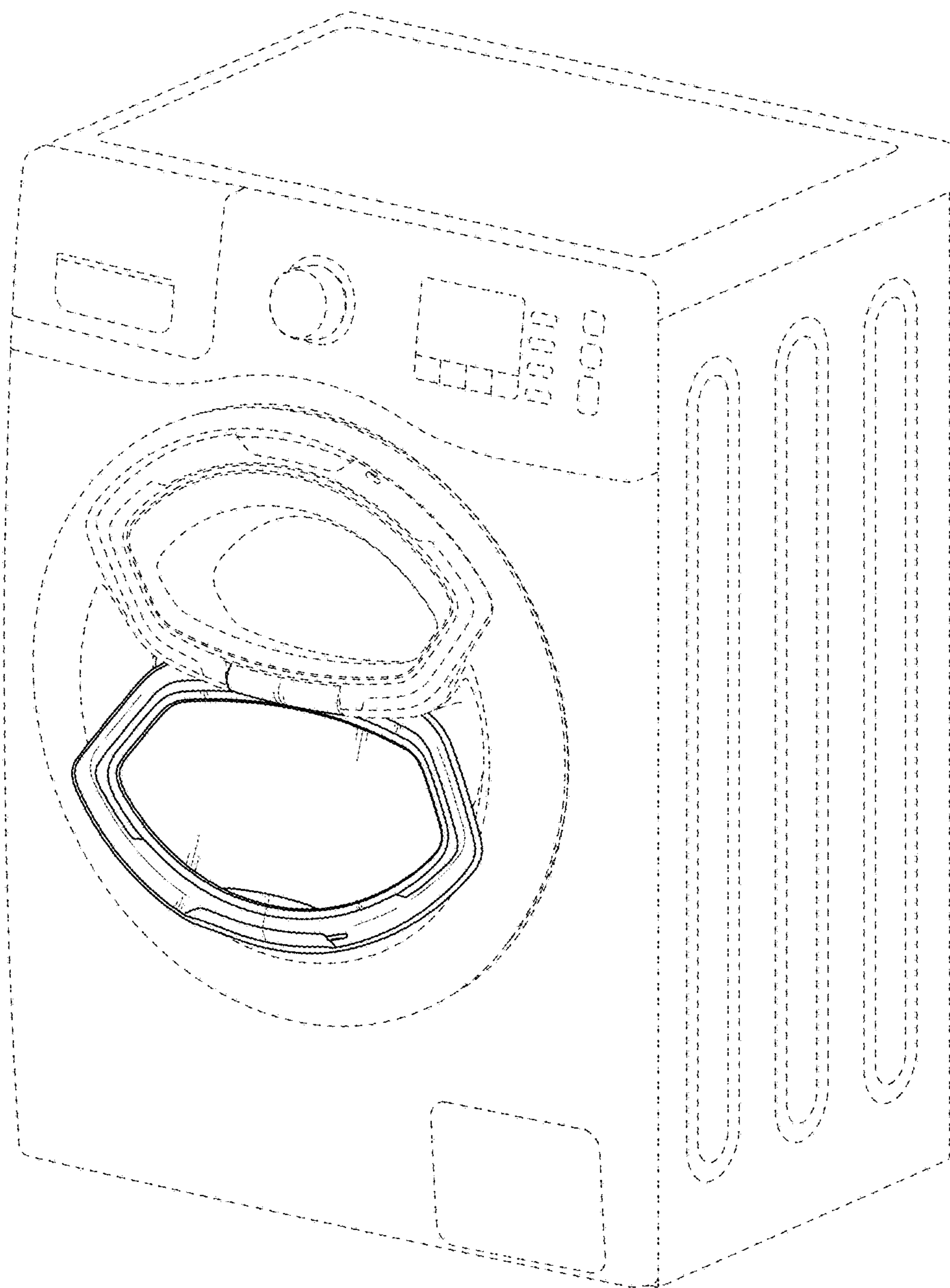


FIG. 9

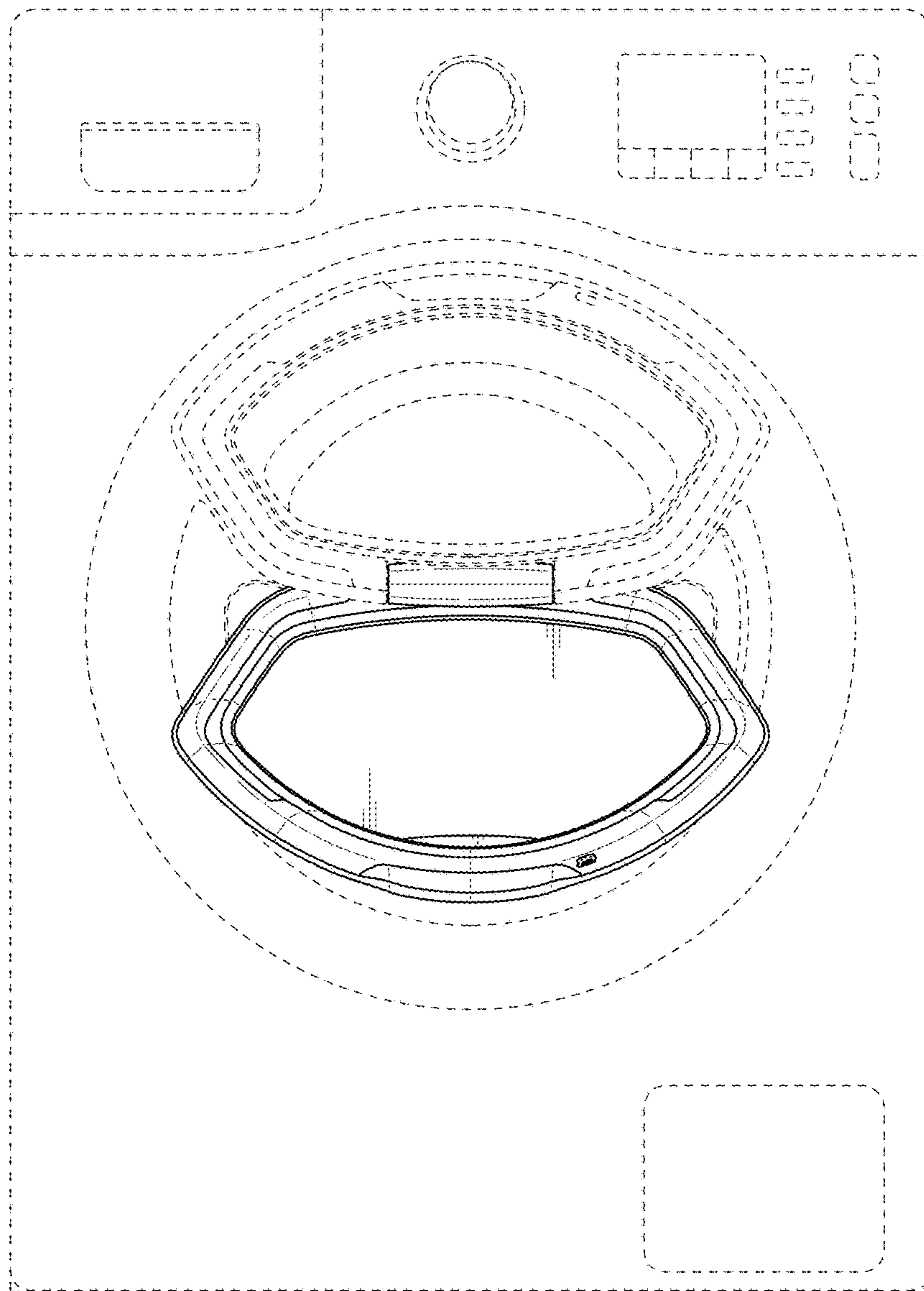


FIG. 10

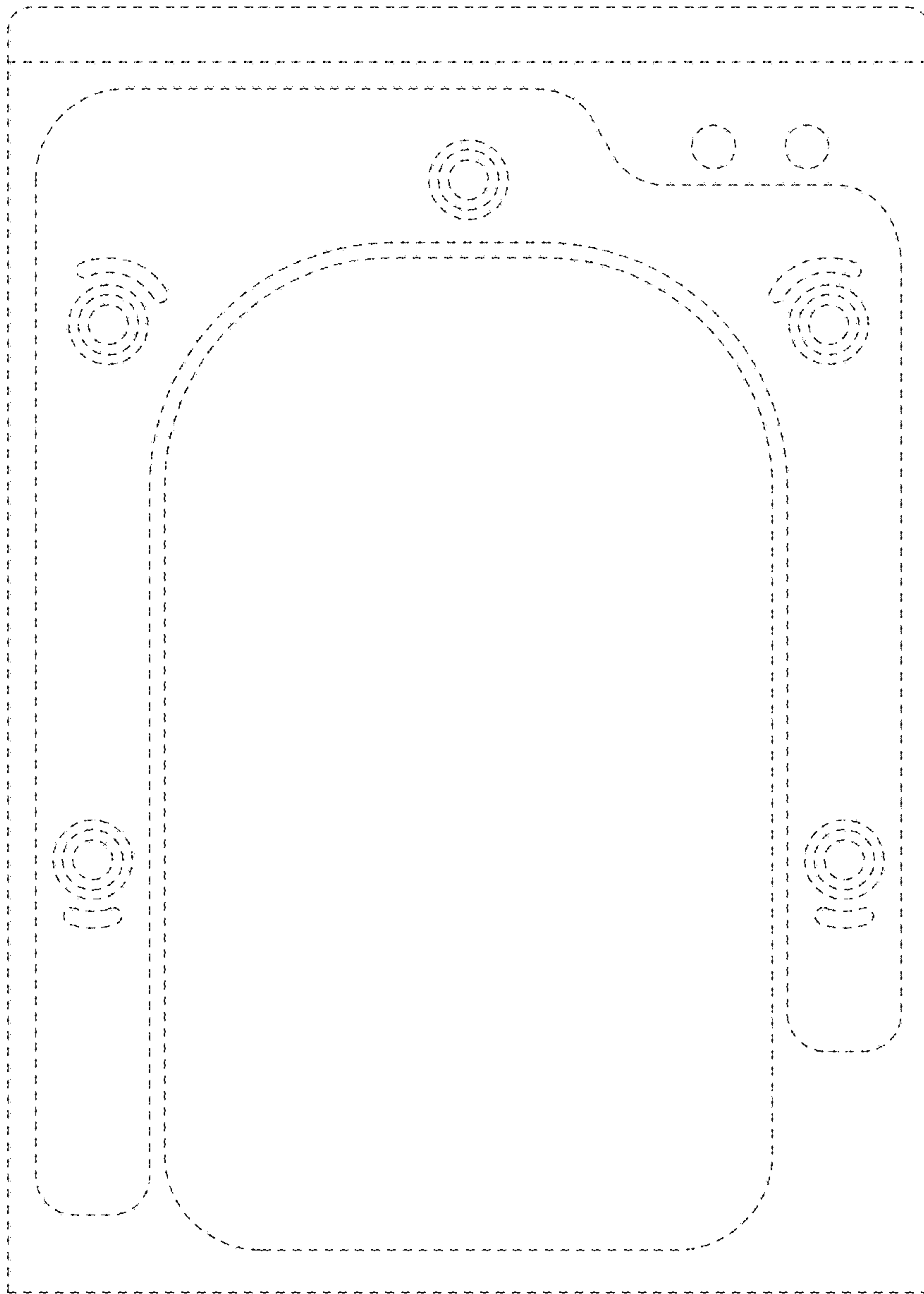


FIG. 11

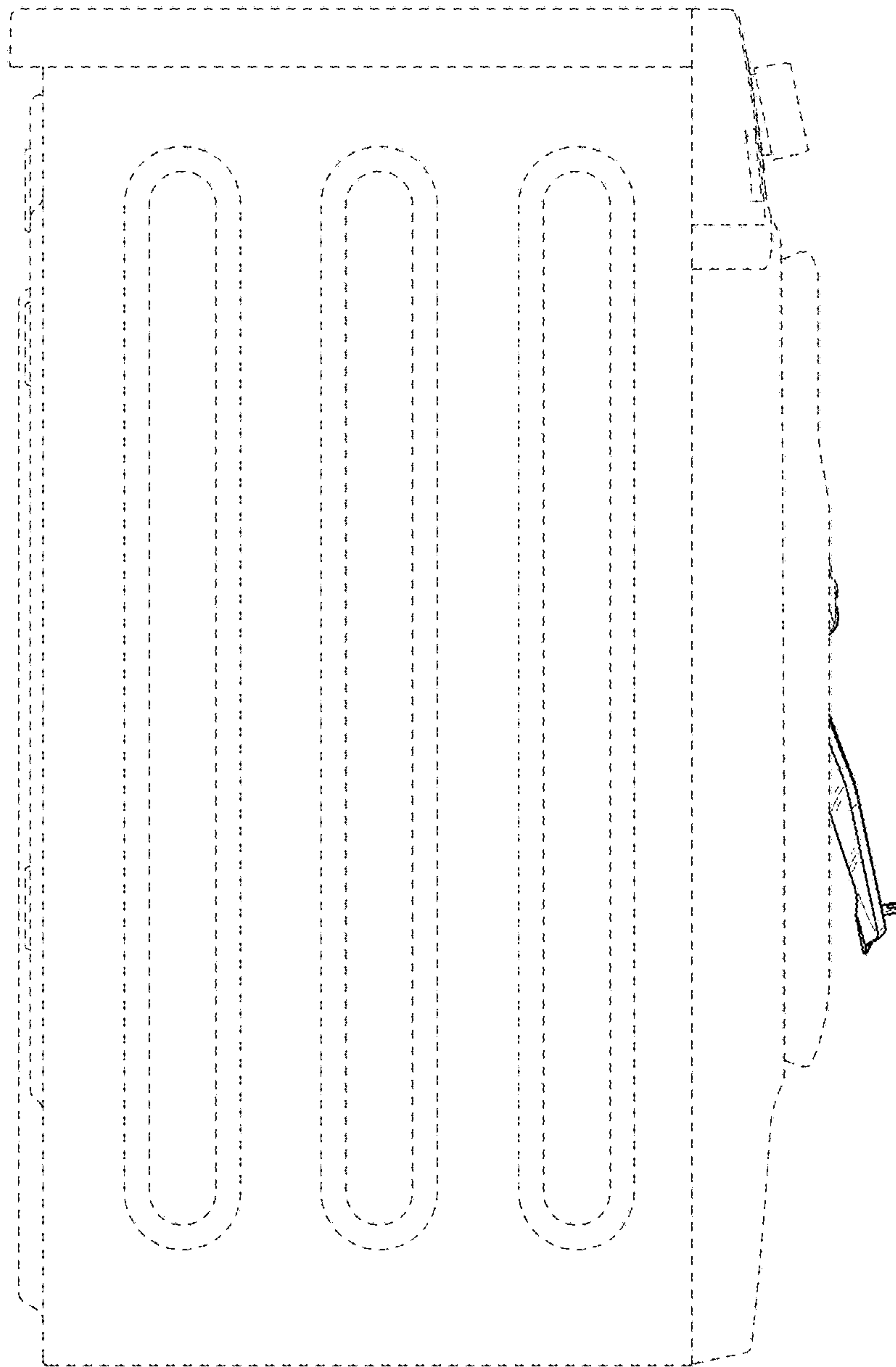


FIG. 12

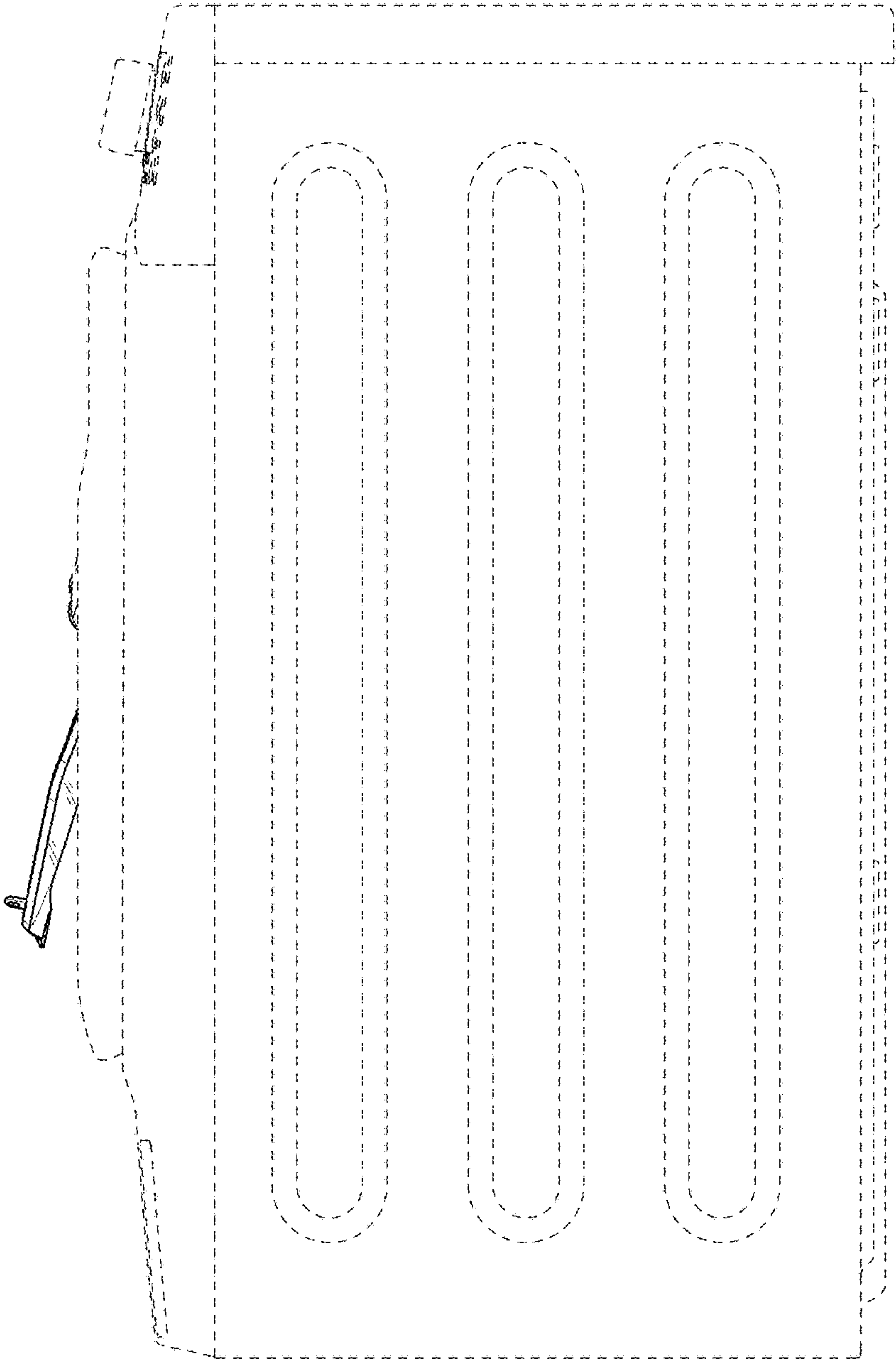


FIG. 13

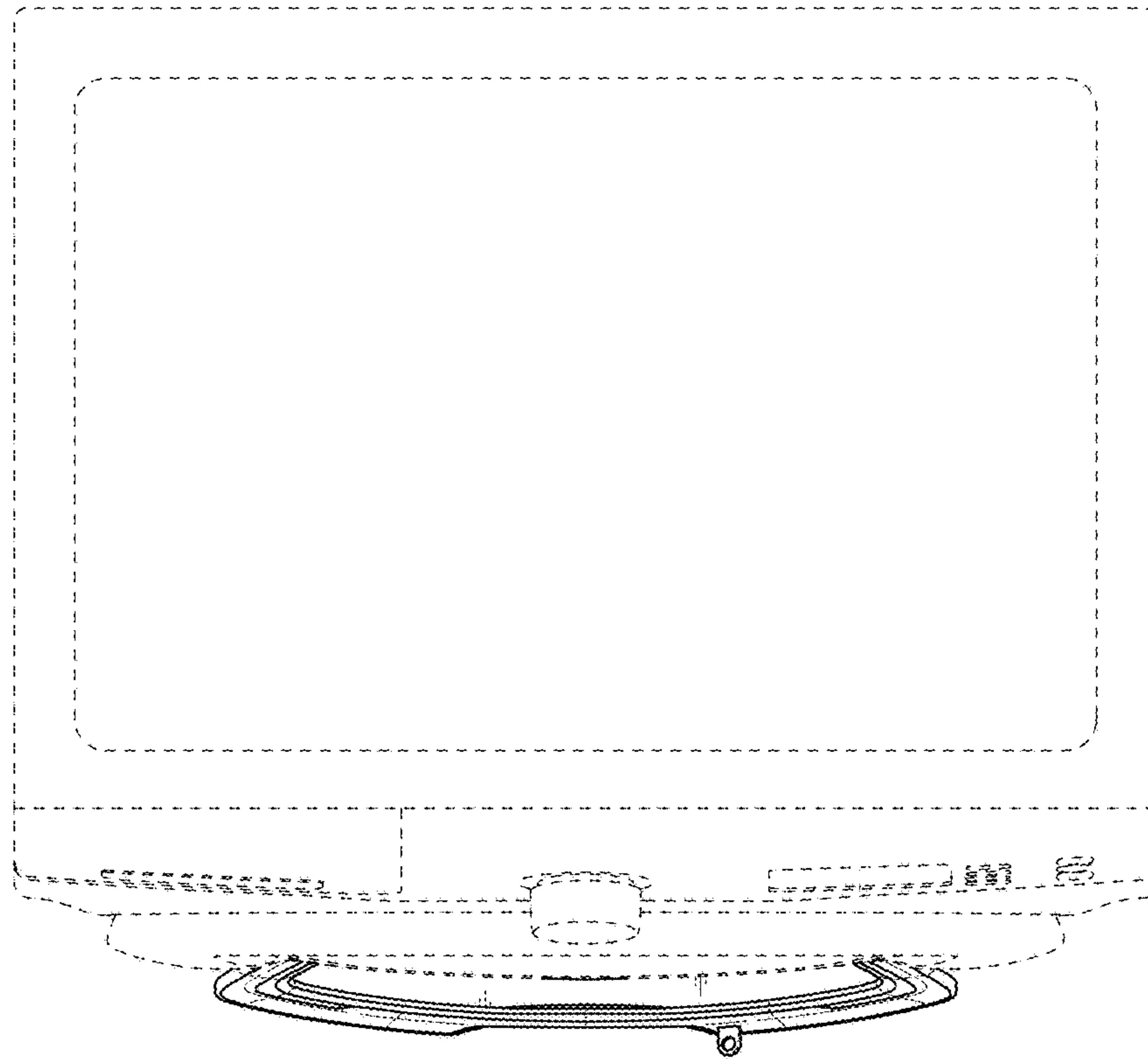


FIG. 14

