



US00D773121S

(12) **United States Design Patent**  
**Yuan**

(10) **Patent No.:** **US D773,121 S**

(45) **Date of Patent:** **\*\* Nov. 29, 2016**

(54) **MASK**

(71) Applicant: **Binhua Yuan**, Shenzhen (CN)

(72) Inventor: **Binhua Yuan**, Shenzhen (CN)

(\*\*) Term: **14 Years**

(21) Appl. No.: **29/506,446**

(22) Filed: **Oct. 15, 2014**

(30) **Foreign Application Priority Data**

Apr. 30, 2014 (CN) ..... 2014 3 0114052

(51) **LOC (10) Cl.** ..... **29-02**

(52) **U.S. Cl.**  
USPC ..... **D29/108**

(58) **Field of Classification Search**  
USPC ..... D29/100, 102, 105, 106, 107, 110, 122;  
D2/878, 880, 881; D24/110.1; 2/455,  
2/456, 410, 423, 424, 425.9, 171, 173,  
2/206, 207, 906; 128/857, 858, 201.22,  
128/201.24, 206.21  
CPC ..... A42B 3/18; A42B 3/185; A42B 3/20;  
A42B 3/32; A42B 3/322; A42B 3/00; A63B  
71/10; A63B 2071/105; A61F 9/04; A61F  
9/045; A61F 9/06  
See application file for complete search history.

(56) **References Cited**

**U.S. PATENT DOCUMENTS**

D229,127 S \* 11/1973 Franklin ..... D29/108  
D267,985 S \* 2/1983 Huber ..... D24/110.1  
4,384,577 A \* 5/1983 Huber ..... A41D 13/1146  
128/206.19  
4,488,547 A \* 12/1984 Mason ..... A41D 13/11  
116/206  
D285,374 S \* 8/1986 Huber ..... D24/110.1  
D285,733 S \* 9/1986 Cooper ..... D24/110.1  
D383,537 S \* 9/1997 Lunden ..... D24/110.1  
5,819,731 A \* 10/1998 Dyrud ..... A41D 13/1161  
128/206.12  
5,842,470 A \* 12/1998 Ruben ..... A41D 13/1115  
128/206.19

5,848,589 A \* 12/1998 Welnetz ..... A62B 99/00  
128/200.24  
D429,385 S \* 8/2000 Lee ..... D29/108  
D430,361 S \* 8/2000 Smith ..... D29/108  
D434,879 S \* 12/2000 Cole ..... D29/108  
D440,302 S \* 4/2001 Wolfe ..... D24/110.1  
D636,128 S \* 4/2011 Hancock ..... D29/108  
D636,537 S \* 4/2011 Ladua ..... D29/108  
D638,171 S \* 5/2011 Goranov ..... D29/108  
D640,011 S \* 6/2011 Teng ..... D29/108  
D658,334 S \* 4/2012 Goranov ..... D29/108  
D666,364 S \* 8/2012 Votel ..... D29/108  
D668,395 S \* 10/2012 Smith ..... D29/108  
D671,688 S \* 11/2012 Sullivan, II ..... A41D 13/1146  
D29/108  
D686,372 S \* 7/2013 Smith ..... D29/108  
D698,498 S \* 1/2014 Fleming ..... D29/108  
2003/0154984 A1 \* 8/2003 Fernandes ..... A41D 13/1146  
D24/110.1  
2004/0173216 A1 \* 9/2004 Park ..... A41D 13/1161  
128/206.12  
2008/0295843 A1 \* 12/2008 Haas ..... A41D 13/1192  
128/205.27  
2009/0320849 A1 \* 12/2009 Biedermann ..... A41D 13/1192  
128/206.28  
2010/0218774 A1 \* 9/2010 Flaherty ..... A41D 13/1138  
128/863

\* cited by examiner

*Primary Examiner* — Elizabeth J Oswecki

(74) *Attorney, Agent, or Firm* — Chen Yoshimura LLP

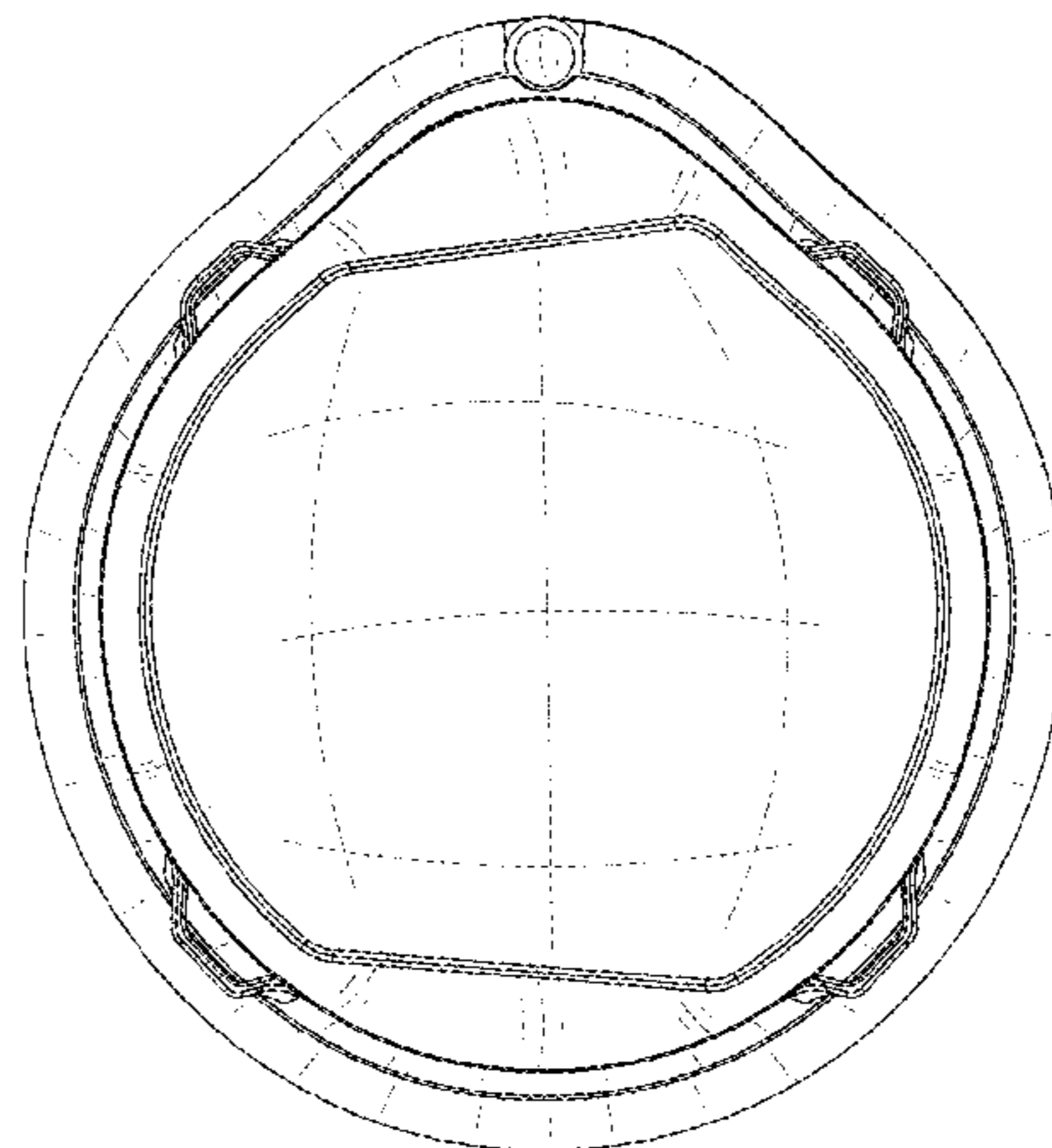
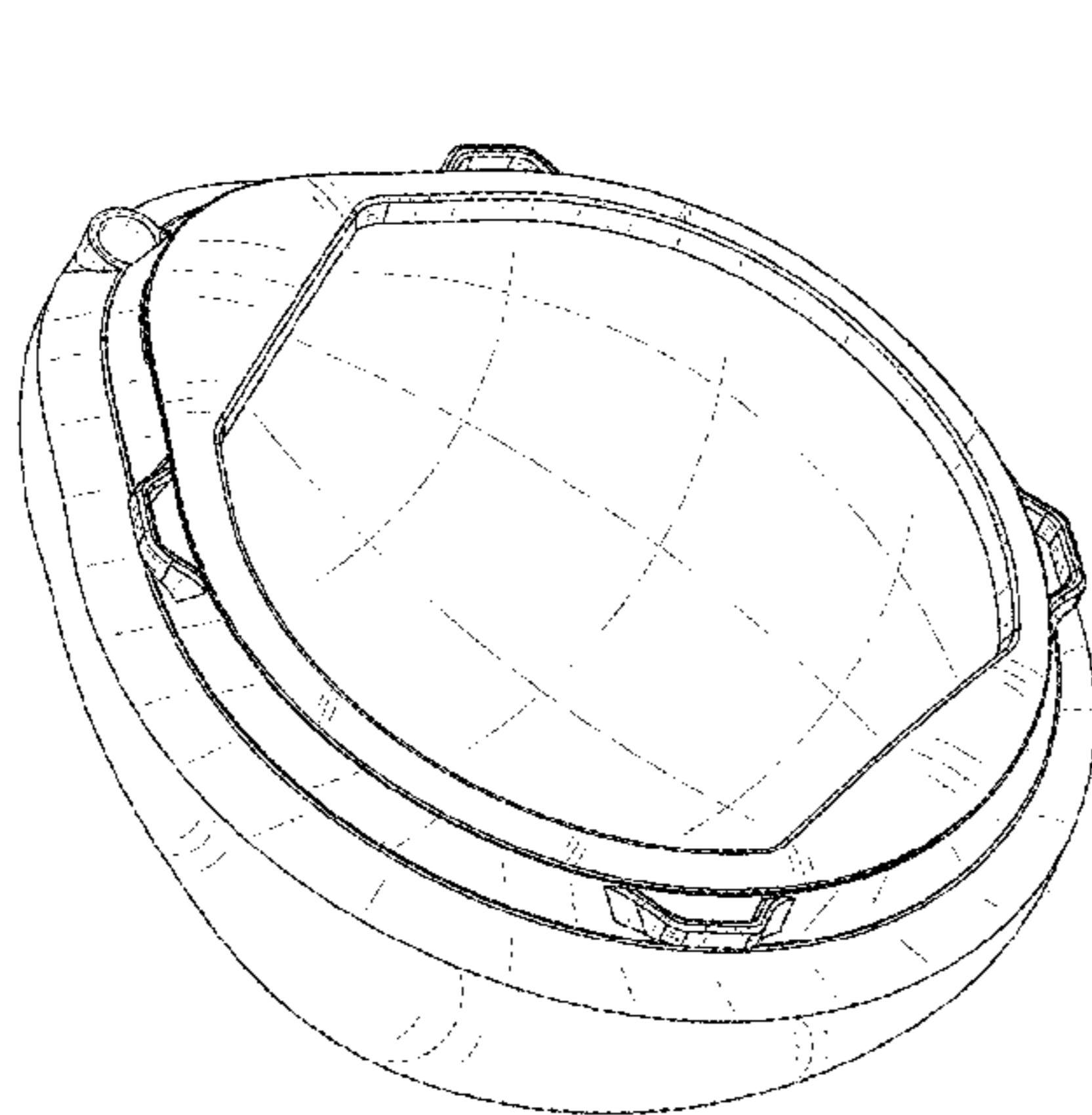
(57) **CLAIM**

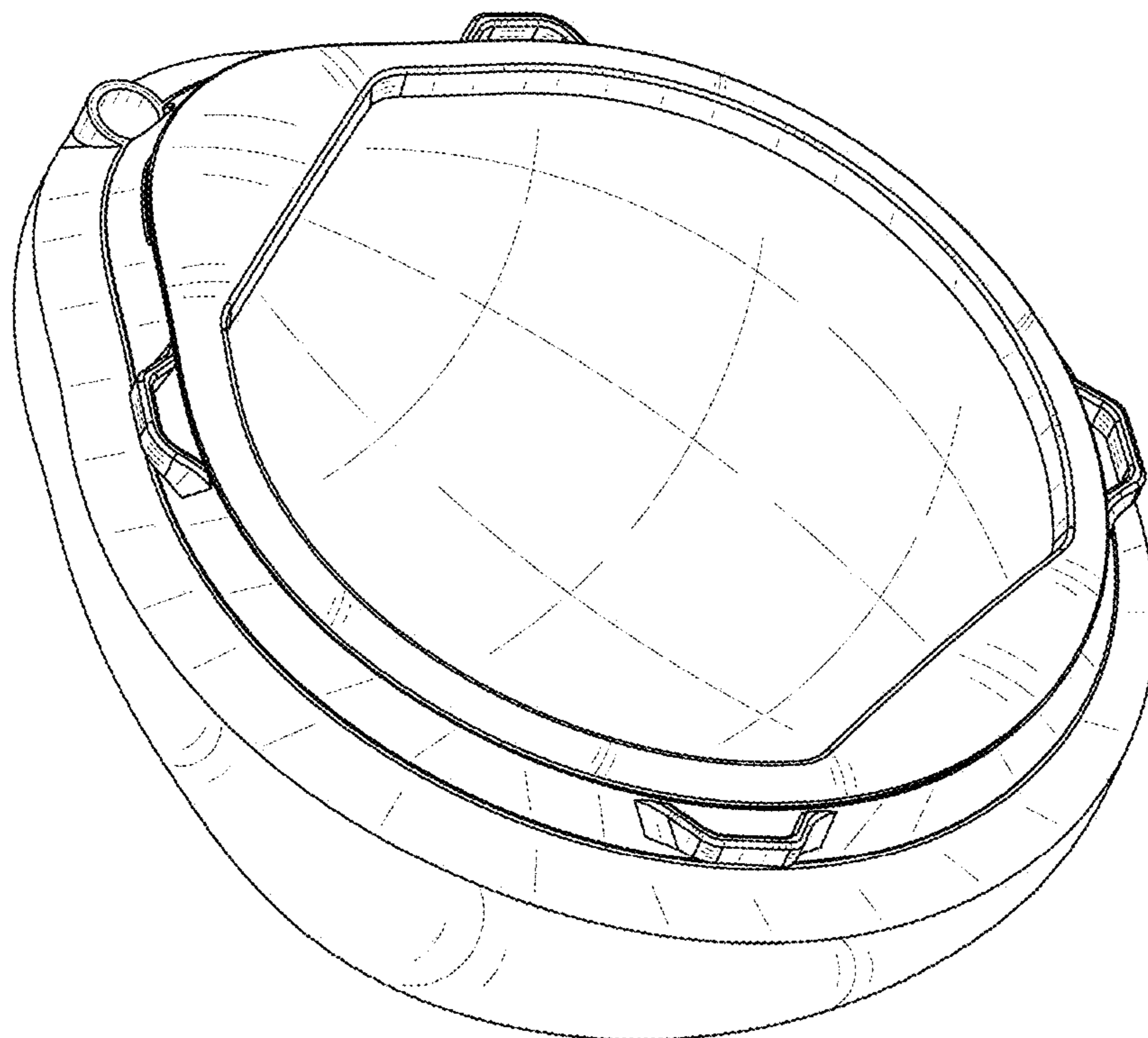
The ornamental design for a mask, as shown and described.

**DESCRIPTION**

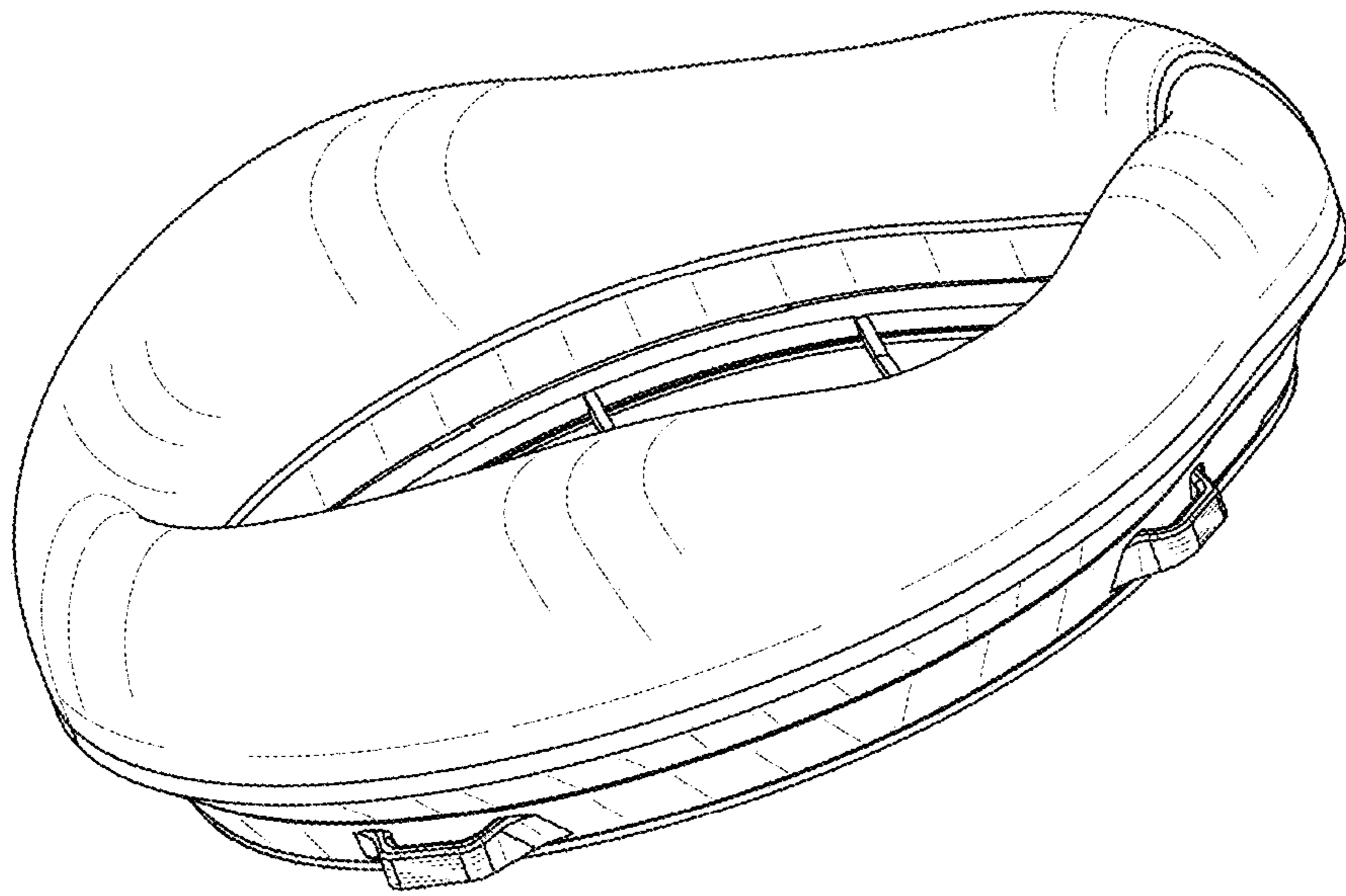
FIG. 1 is a front perspective view of a mask showing my new design;  
FIG. 2 is a rear perspective view thereof;  
FIG. 3 is a front elevational view thereof;  
FIG. 4 is a rear elevational view thereof;  
FIG. 5 is a left side elevational view thereof;  
FIG. 6 is a right side elevational view thereof;  
FIG. 7 is a top plan view thereof; and,  
FIG. 8 is a bottom plan view thereof.

**1 Claim, 8 Drawing Sheets**

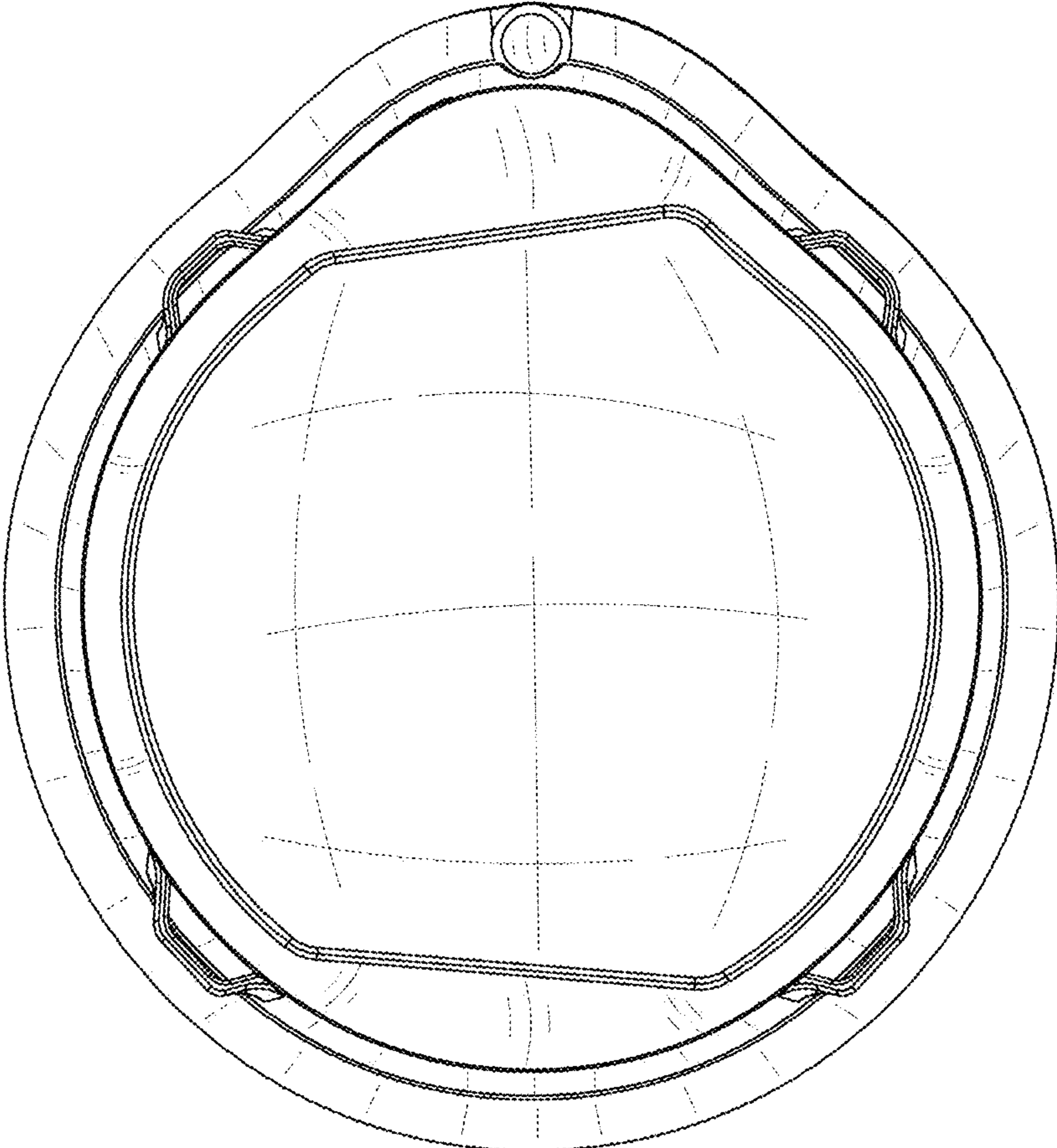




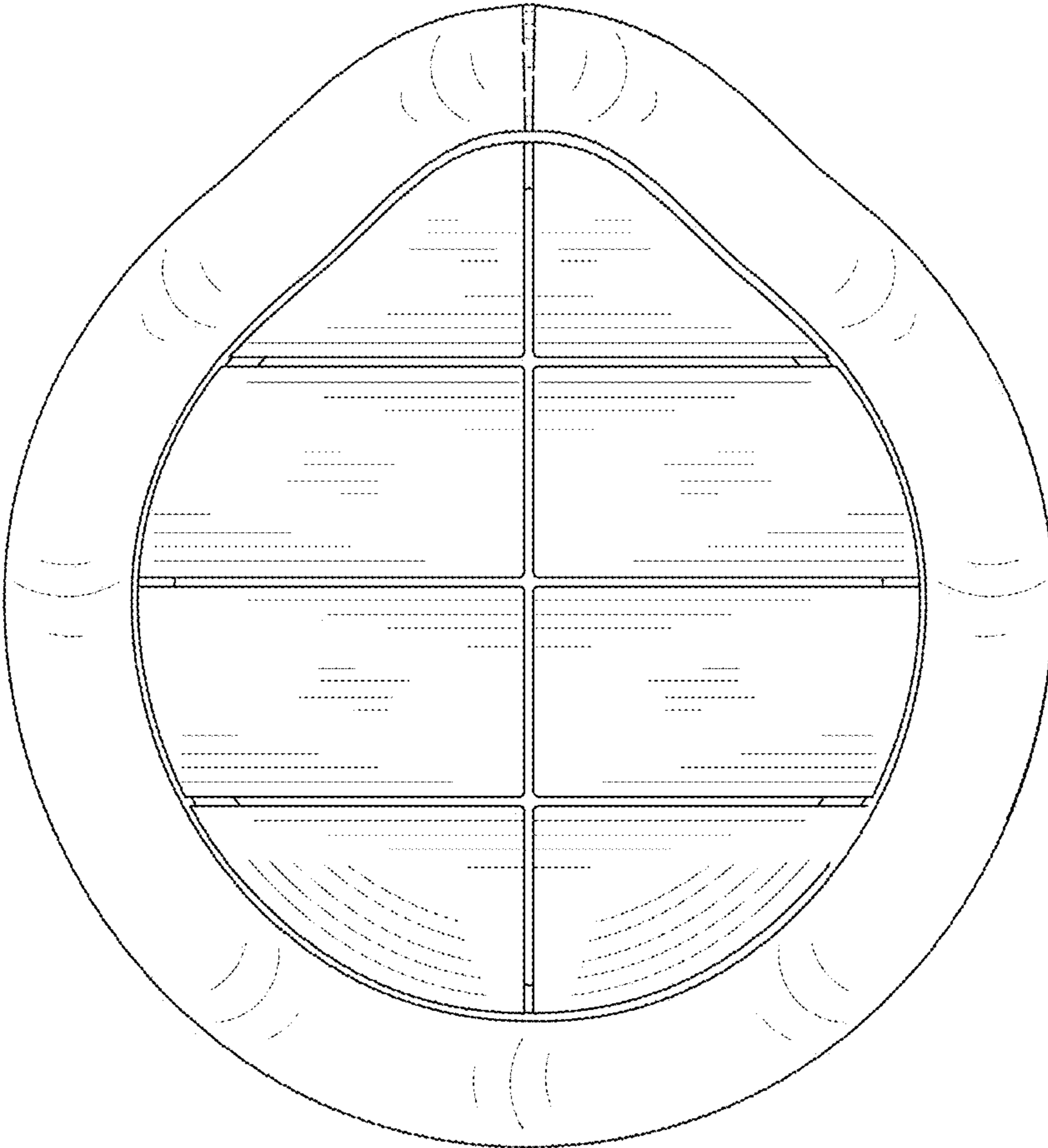
*Fig. 1*



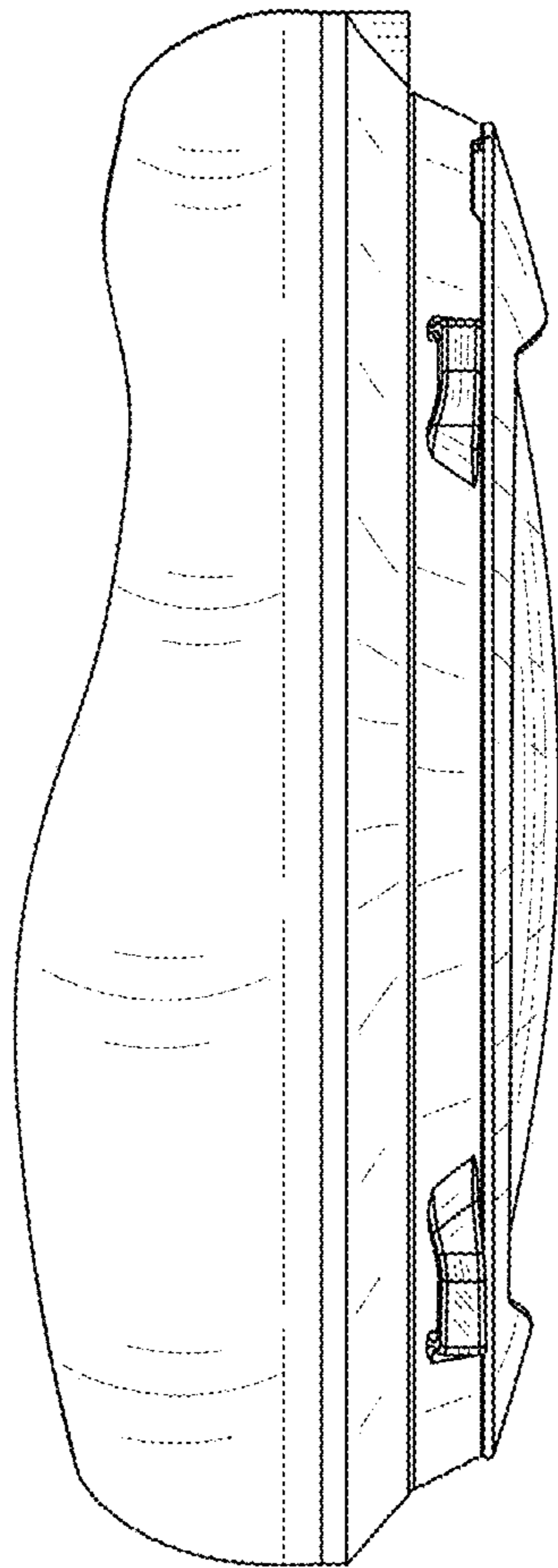
*Fig. 2*



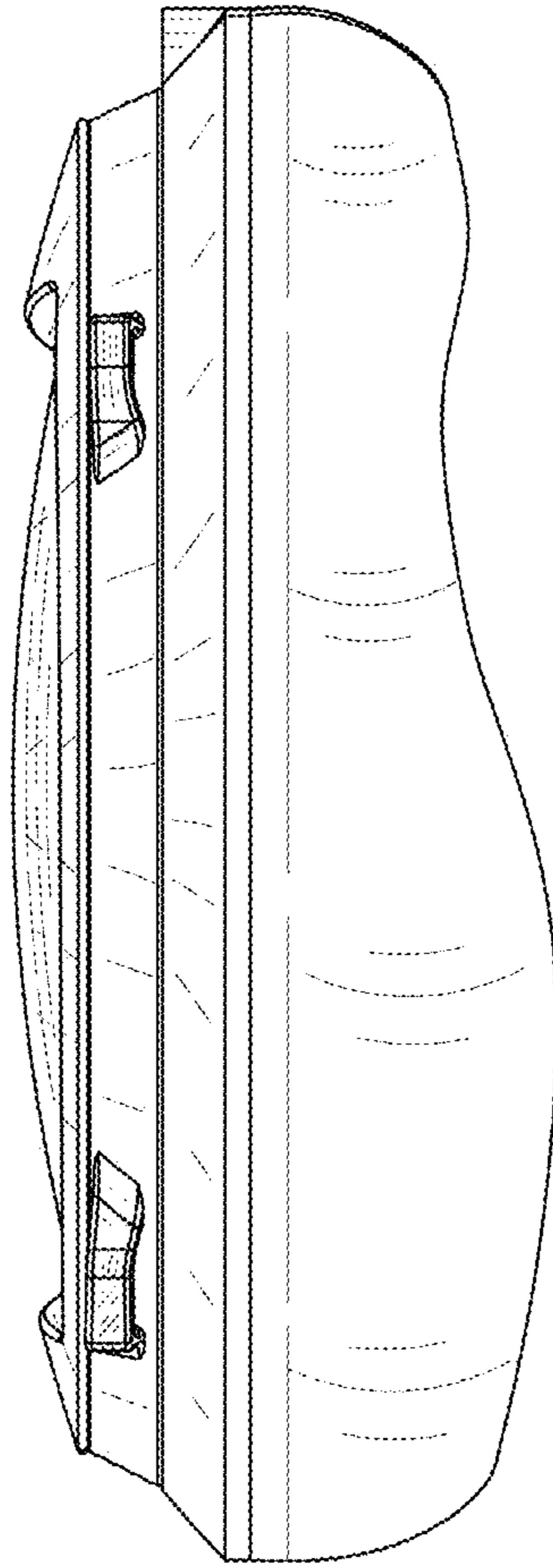
*Fig. 3*



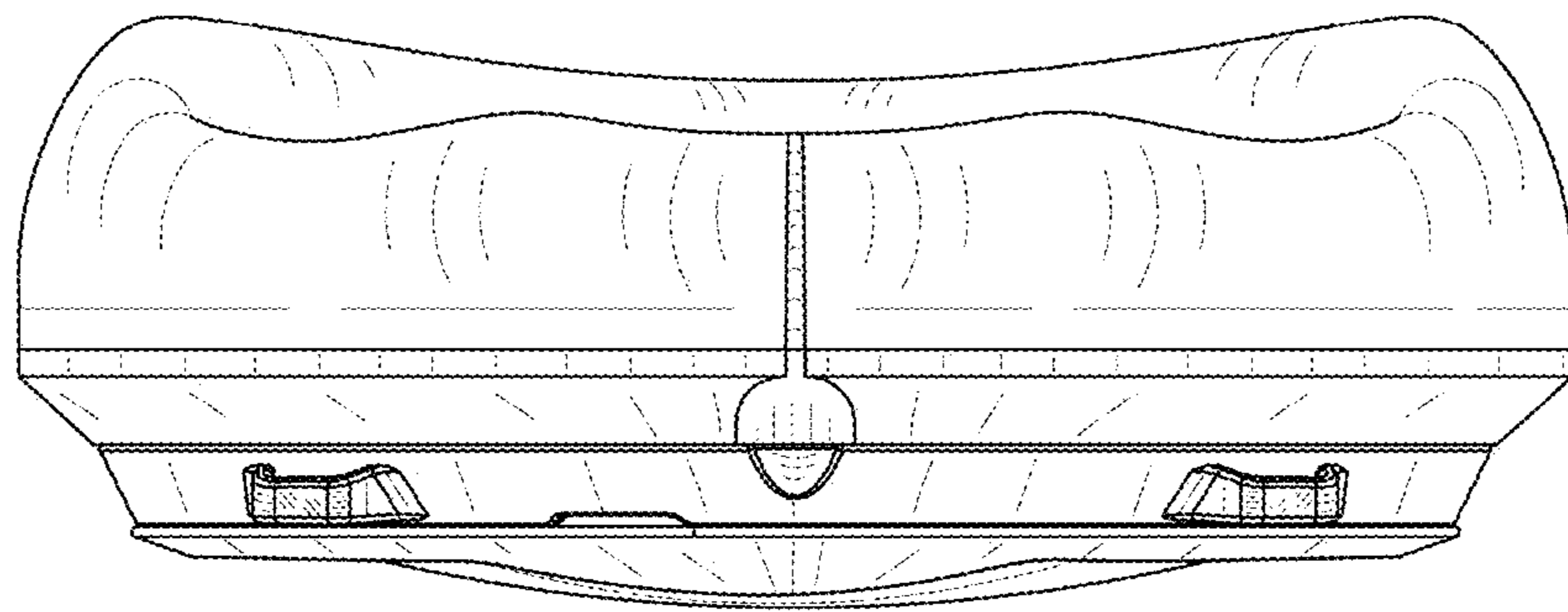
*Fig. 4*



*Fig. 5*

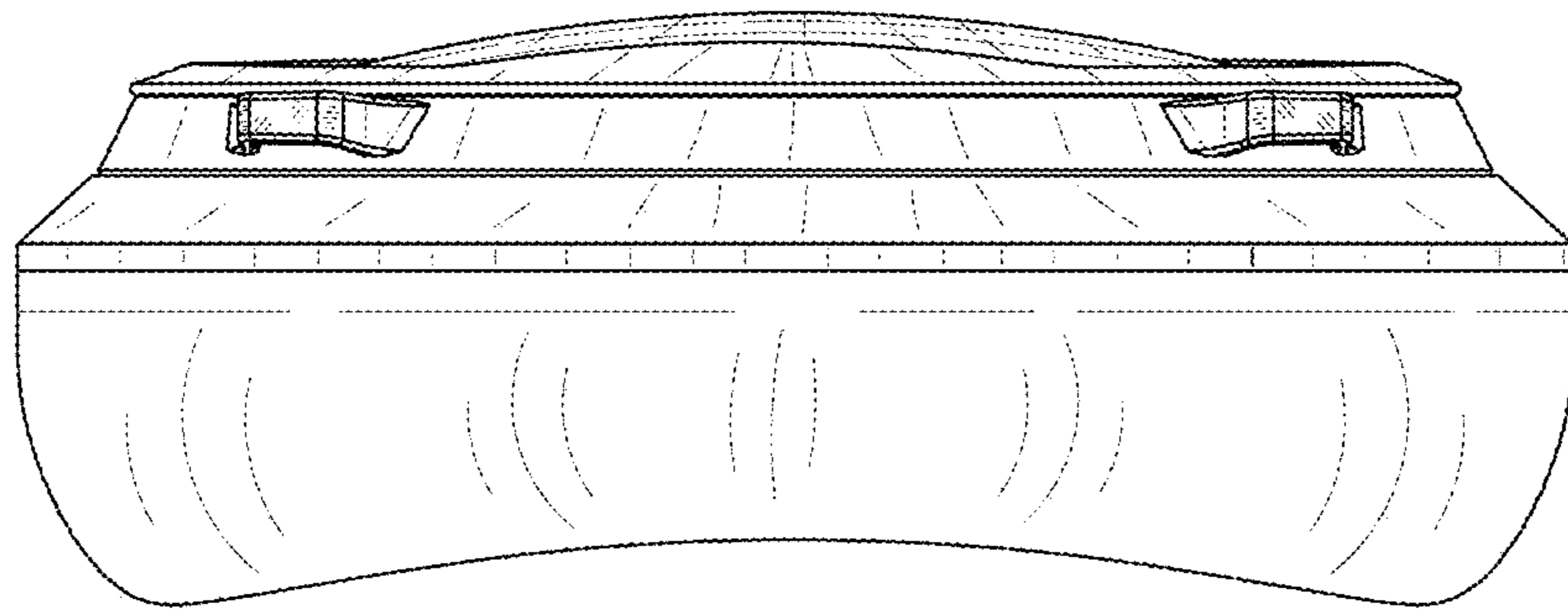


*Fig. 6*



*Fig. 7*





*Fig. 8*