



US00D773119S

(12) **United States Design Patent** (10) **Patent No.:** **US D773,119 S**  
**Yue et al.** (45) **Date of Patent:** **\*\* Nov. 29, 2016**

(54) **HAIR WAVING APPARATUS**

(71) Applicant: **Conair Corporation**, Stamford, CT (US)

(72) Inventors: **Po Kwan Brenda Yue**, Hong Kong (CN); **Man Kit Siu**, Hong Kong (CN)

(73) Assignee: **CONAIR CORPORATION**, Stamford, CT (US)

(\*\*) Term: **15 Years**

(21) Appl. No.: **29/544,895**

(22) Filed: **Nov. 6, 2015**

(51) **LOC (10) Cl.** ..... **28-03**

(52) **U.S. Cl.**  
USPC ..... **D28/35**

(58) **Field of Classification Search**  
USPC ..... D28/35, 10  
CPC A45D 1/00-1/28; A45D 2/00; A45D 2/001;  
A45D 2/002; A45D 2/02; A45D 2/04;  
A45D 2/06; A45D 2/08; A45D 2/10; A45D  
2/12-2/22; A45D 2/24-2/34; A45D  
2/36-2/367; A45D 2/38-2/44  
See application file for complete search history.

(56) **References Cited**

**U.S. PATENT DOCUMENTS**

5,671,759	A	9/1997	Chung et al.
5,765,572	A	6/1998	Paget et al.
6,109,275	A	8/2000	Mendezmonsanto
6,318,378	B1	11/2001	Kennedy et al.
6,499,491	B2	12/2002	Kennedy et al.
6,615,846	B1	9/2003	Leason et al.
6,637,441	B2	10/2003	Kennedy et al.
6,662,808	B2	12/2003	Leason et al.
6,682,776	B2	1/2004	Araki et al.
D491,310	S	6/2004	Glucksman et al.
D502,288	S	2/2005	Longoria

(Continued)

*Primary Examiner* — Jennifer Rivard

(74) *Attorney, Agent, or Firm* — Carter, DeLuca, Farrell & Schmidt, LLP; Joseph W. Schmidt

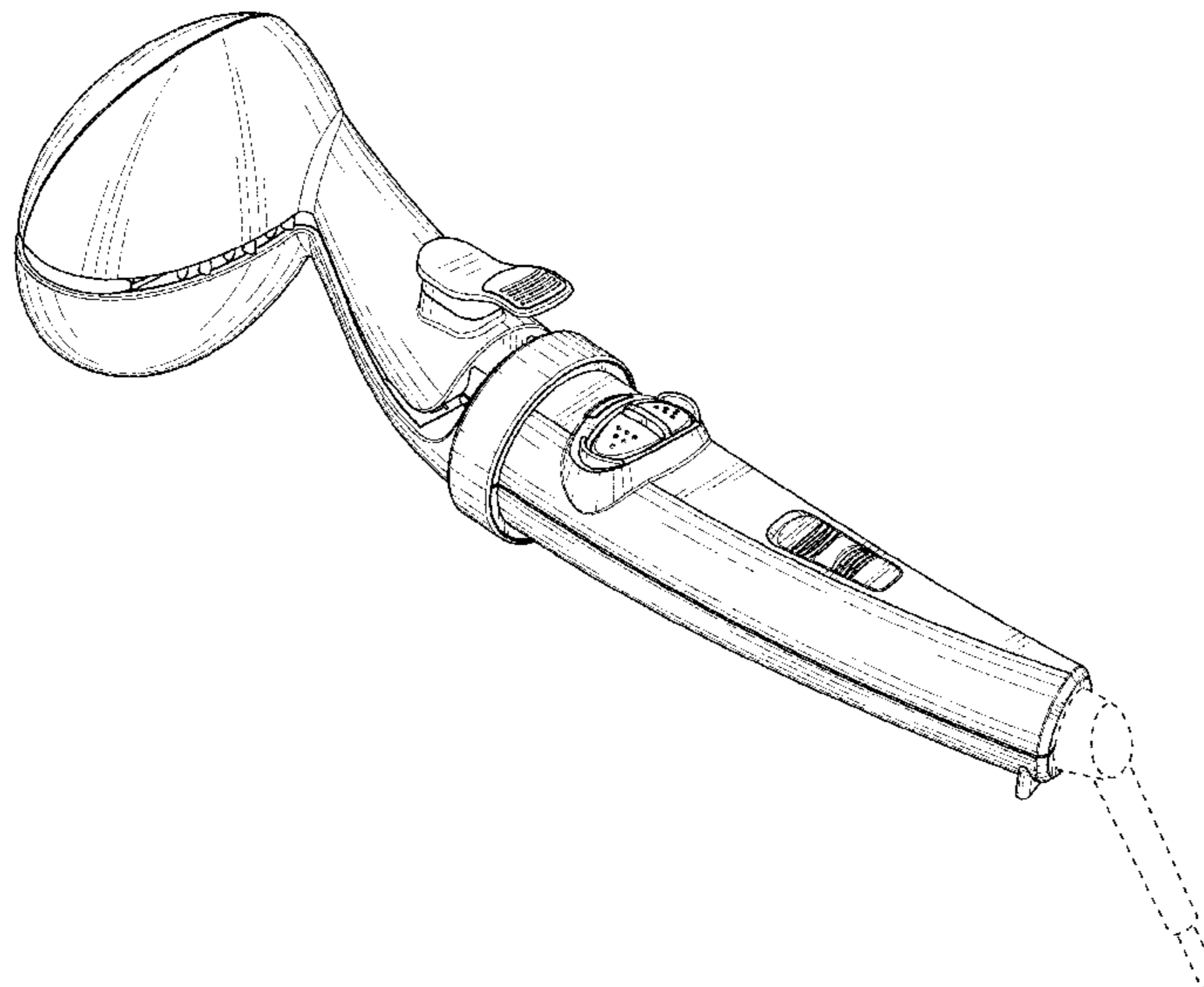
(57) **CLAIM**

The ornamental design for a hair waving apparatus, as shown and described.

**DESCRIPTION**

FIG. 1 is a perspective view of the hair waving apparatus in accordance with the principles of the present disclosure; FIG. 2 is a left side elevation view of the hair waving apparatus; FIG. 3 is a right side elevation view of the hair waving apparatus; FIG. 4 is a top plan view of the hair waving apparatus; FIG. 5 is a bottom plan view of the hair waving apparatus; FIG. 6 is a front elevation view of the hair waving apparatus; FIG. 7 is a rear elevation view of the hair waving apparatus; FIG. 8 is a perspective view of an alternate embodiment of the hair waving apparatus; FIG. 9 is a left side elevation view of the embodiment of the hair waving apparatus of FIG. 8; FIG. 10 is a right side elevation view of the embodiment of the hair waving apparatus of FIG. 8; FIG. 11 is a top plan view of the embodiment of the hair waving apparatus of FIG. 8; FIG. 12 is a bottom plan view of the embodiment of the hair waving apparatus of FIG. 8; FIG. 13 is a front elevation view of the embodiment of the hair waving apparatus of FIG. 8; and, FIG. 14 is a rear elevation view of the embodiment of the hair waving apparatus of FIG. 8. The broken lines shown in the drawings illustrate portions of the hair waving apparatus and form no part of the claimed design.

**1 Claim, 8 Drawing Sheets**



(56)

References Cited

U.S. PATENT DOCUMENTS

7,271,368 B2	9/2007	Yeung	8,869,808 B2	10/2014	De Benedictis	
7,341,064 B2	3/2008	Habibi	D717,000 S	11/2014	Julemont	
7,481,228 B2	1/2009	Ragosta et al.	8,955,526 B2	2/2015	Smith	
7,631,646 B2	12/2009	Ragosta et al.	D724,784 S	3/2015	Richmond et al.	
RE41,321 E	5/2010	Okumoto et al.	9,027,570 B2	5/2015	De Benedictis et al.	
8,013,274 B2	9/2011	Suzuki et al.	D732,738 S	6/2015	Richmond et al.	
8,232,505 B2	7/2012	Hottenrott et al.	9,060,582 B2	6/2015	Longoria et al.	
8,237,089 B2	8/2012	Legrain et al.	D735,410 S	7/2015	Richmond et al.	
8,342,191 B2	1/2013	Ragosta et al.	2003/0131867 A2*	7/2003	Kennedy .....	A45D 2/00 132/200
8,360,076 B2	1/2013	Ragosta et al.	2004/0237991 A1	12/2004	Glucksman et al.	
8,539,964 B2	9/2013	Rong	2008/0173322 A1*	7/2008	Leung .....	A45D 1/04 132/232
8,539,965 B2	9/2013	Ragosta et al.	2012/0325262 A1	12/2012	Sansole et al.	
8,541,715 B2	9/2013	Overend et al.	2013/0319450 A1	12/2013	Ragosta et al.	
8,567,416 B2	10/2013	Ragosta et al.	2014/0238432 A1	8/2014	Deng	
D696,456 S	12/2013	Julemont	2015/0000689 A1	1/2015	De Benedictis	
8,607,804 B2	12/2013	De Benedictis	2015/0114425 A1	4/2015	Park	
8,651,118 B2	2/2014	De Benedictis et al.	2015/0128985 A1	5/2015	Lee	
8,733,374 B2	5/2014	De Benedictis et al.	2015/0128987 A1	5/2015	De Benedictis et al.	

\* cited by examiner

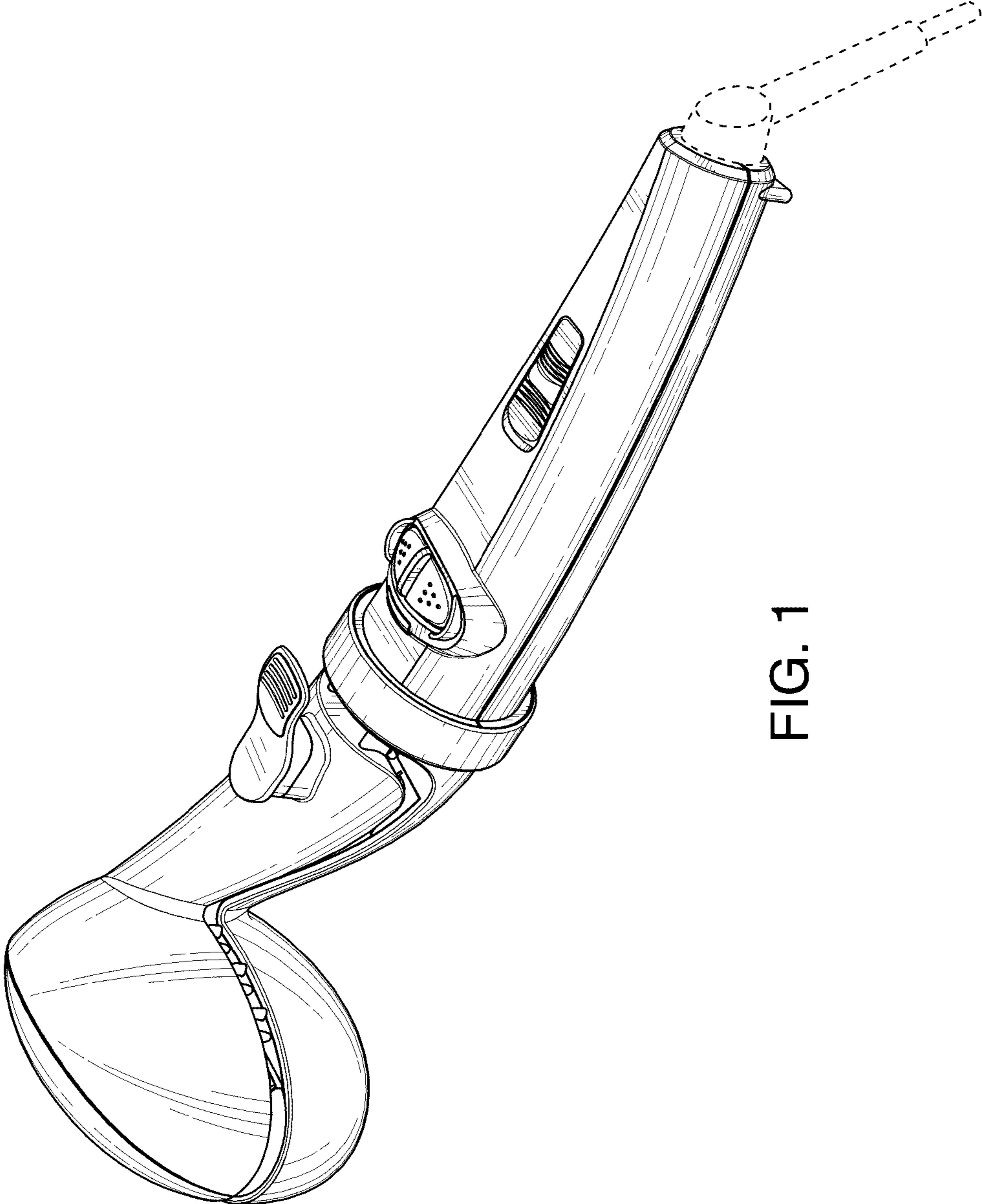


FIG. 1

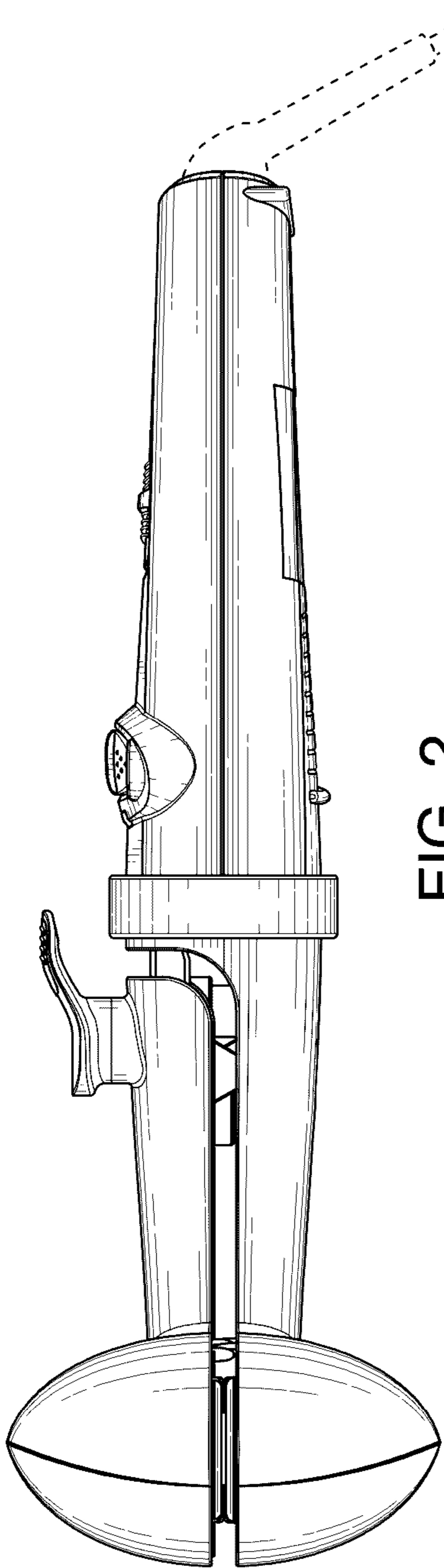


FIG. 2

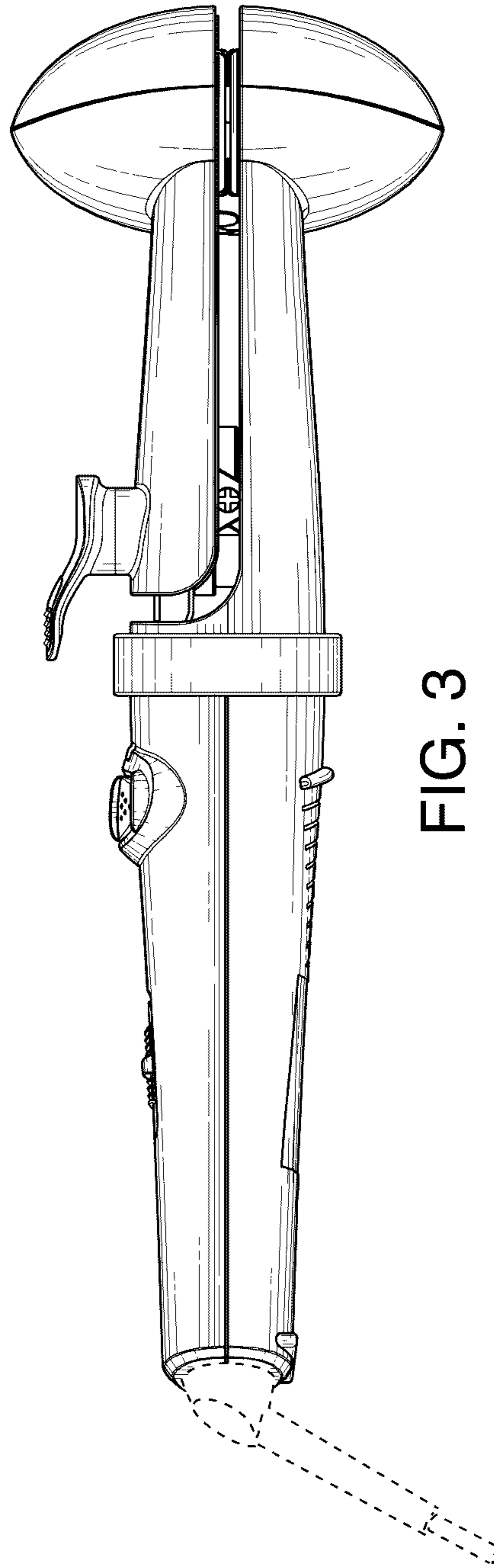
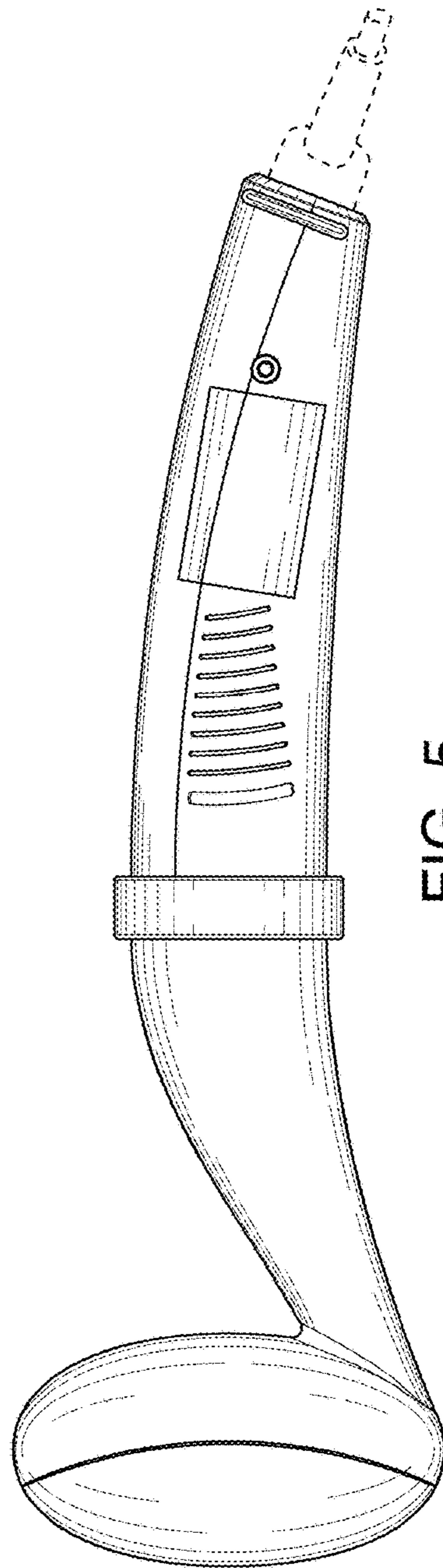
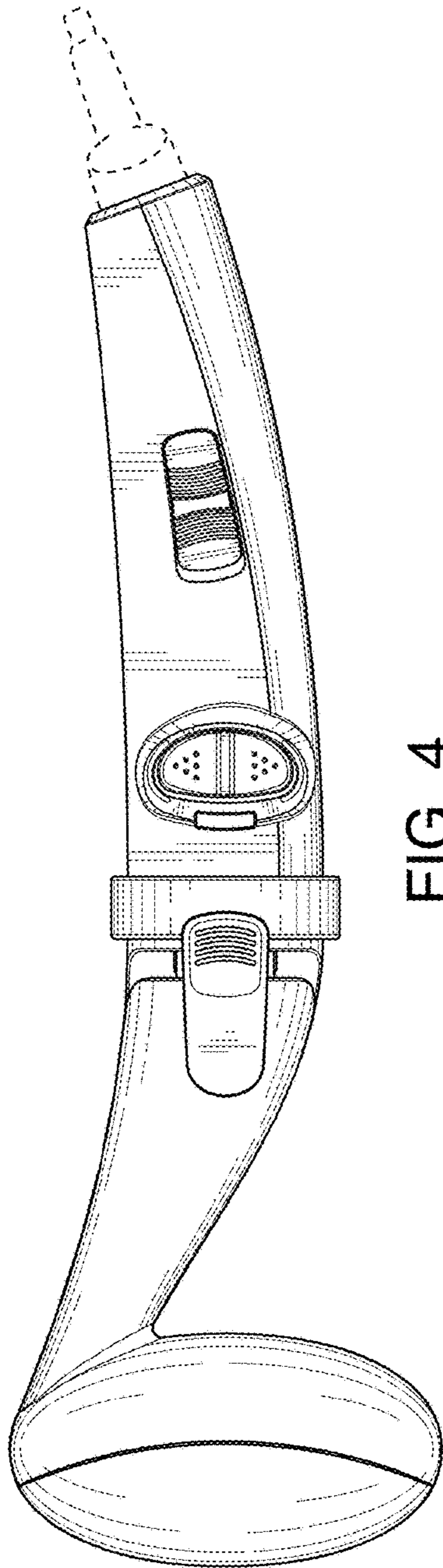


FIG. 3



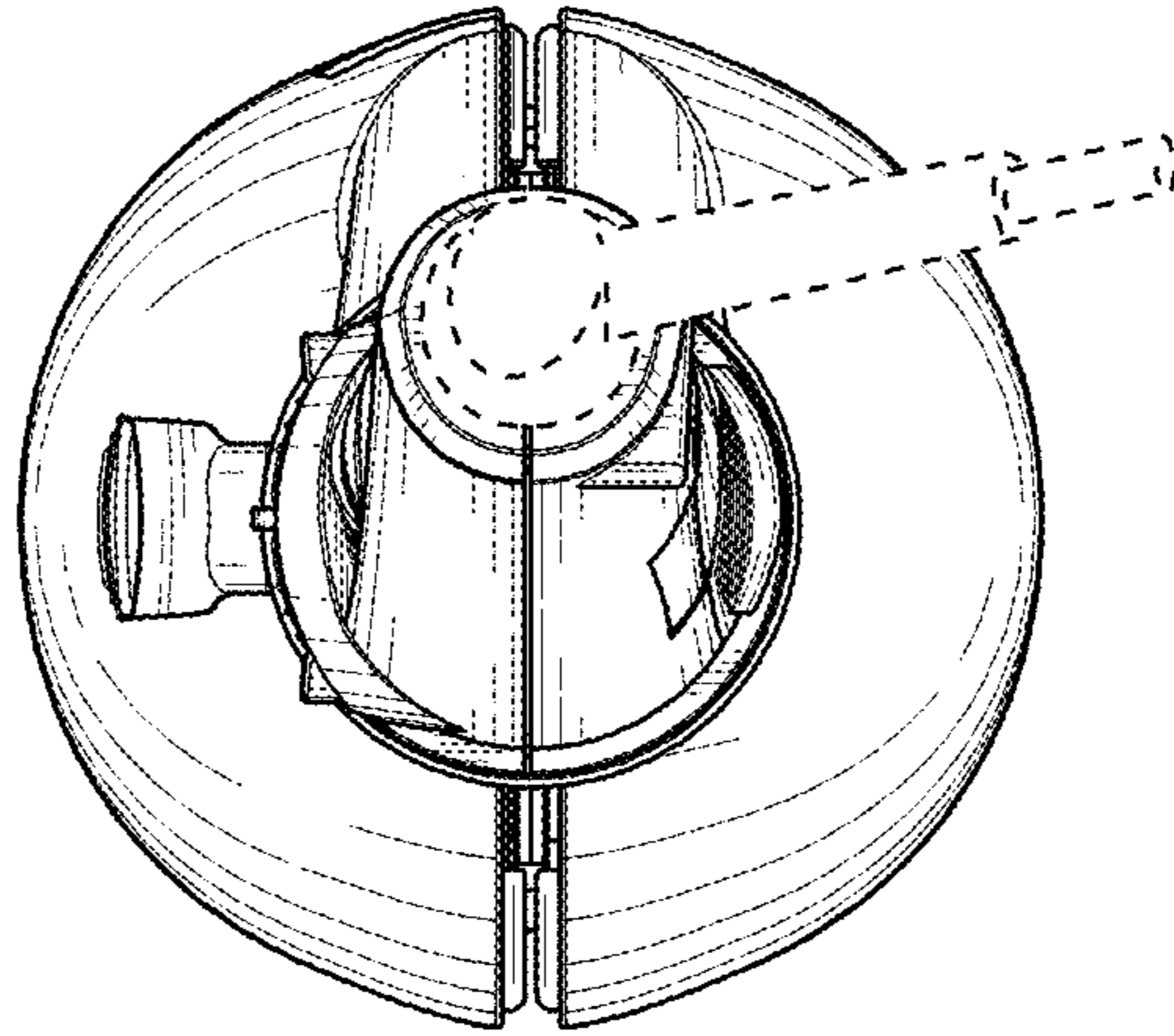


FIG. 7

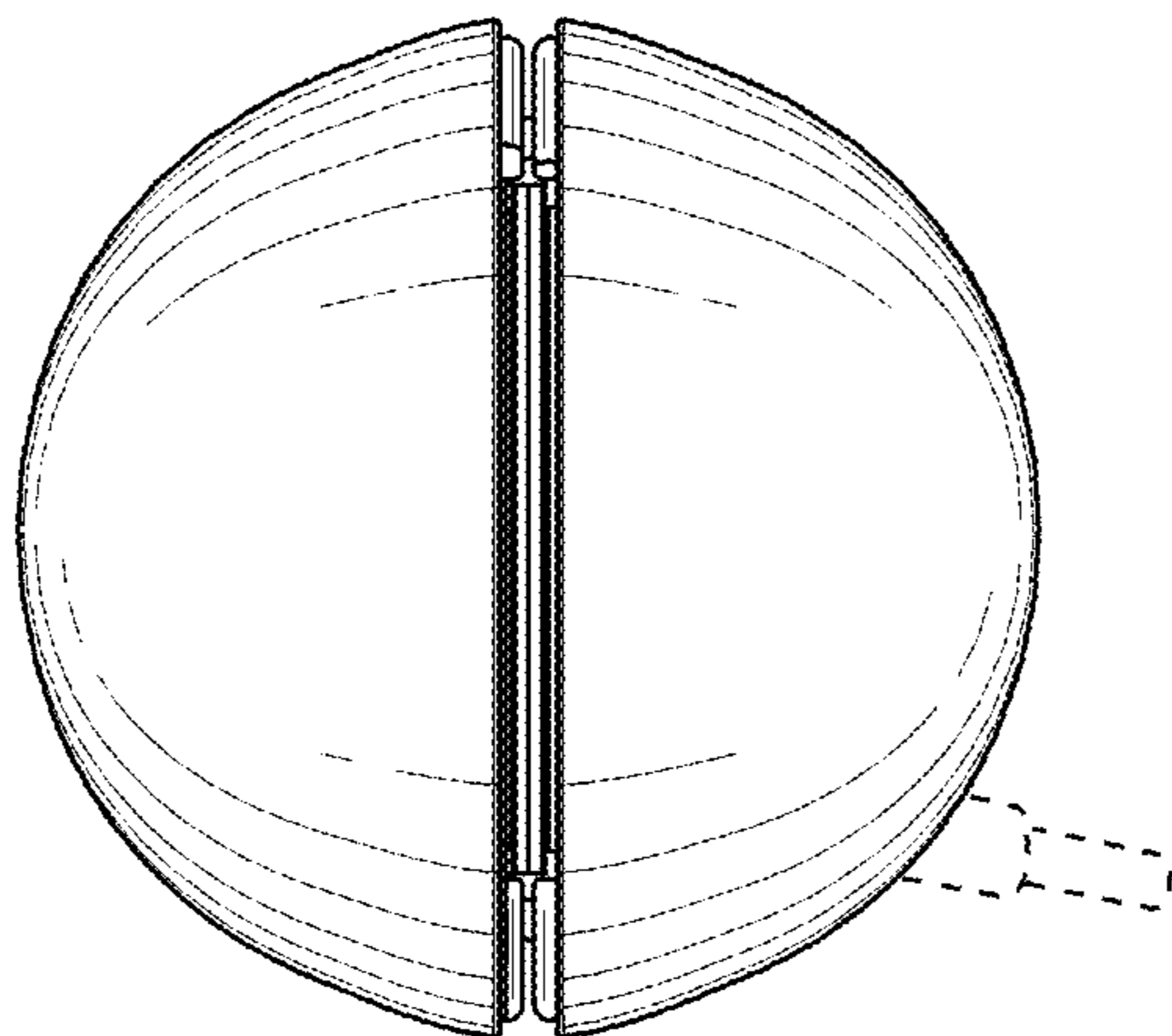


FIG. 6

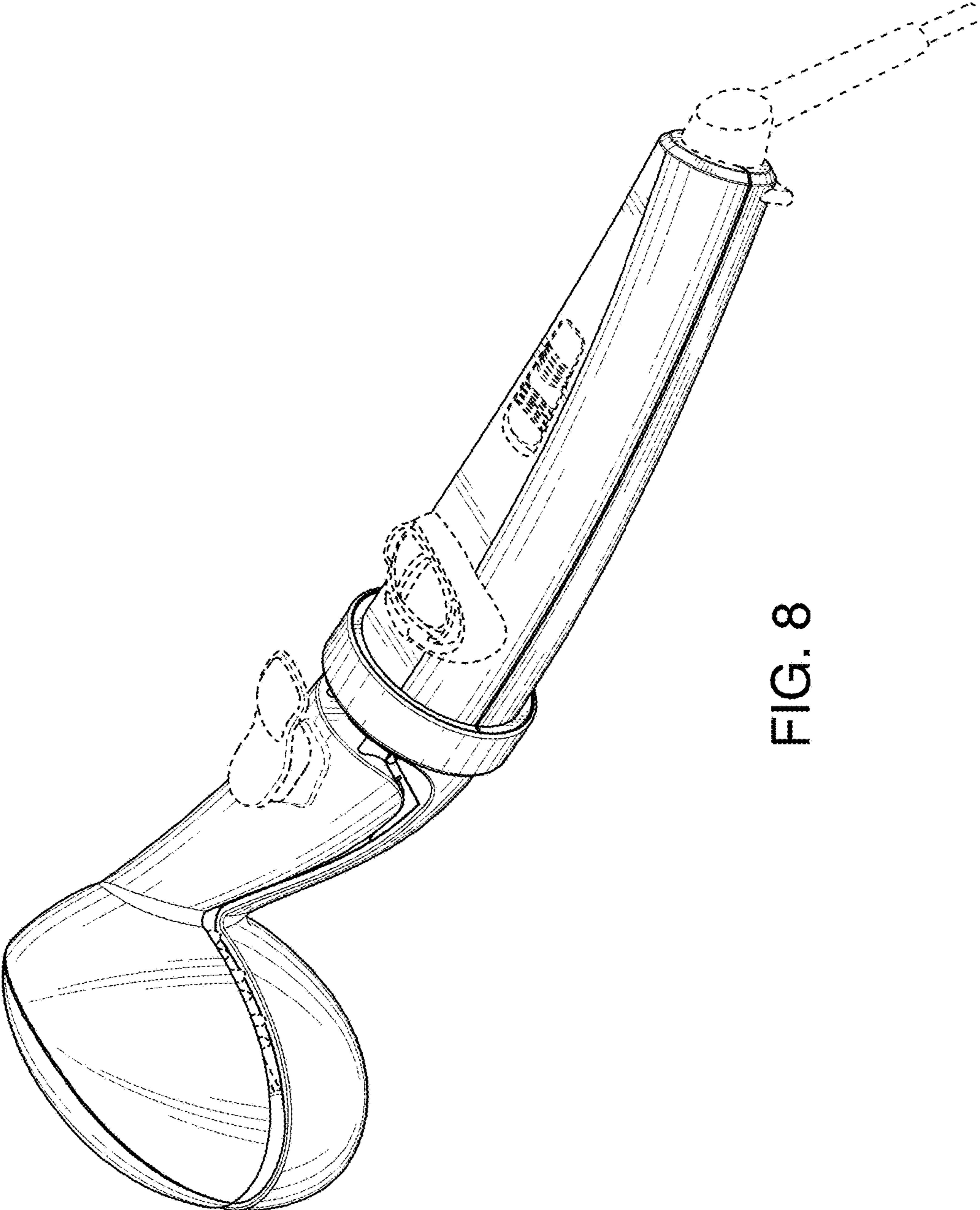


FIG. 8

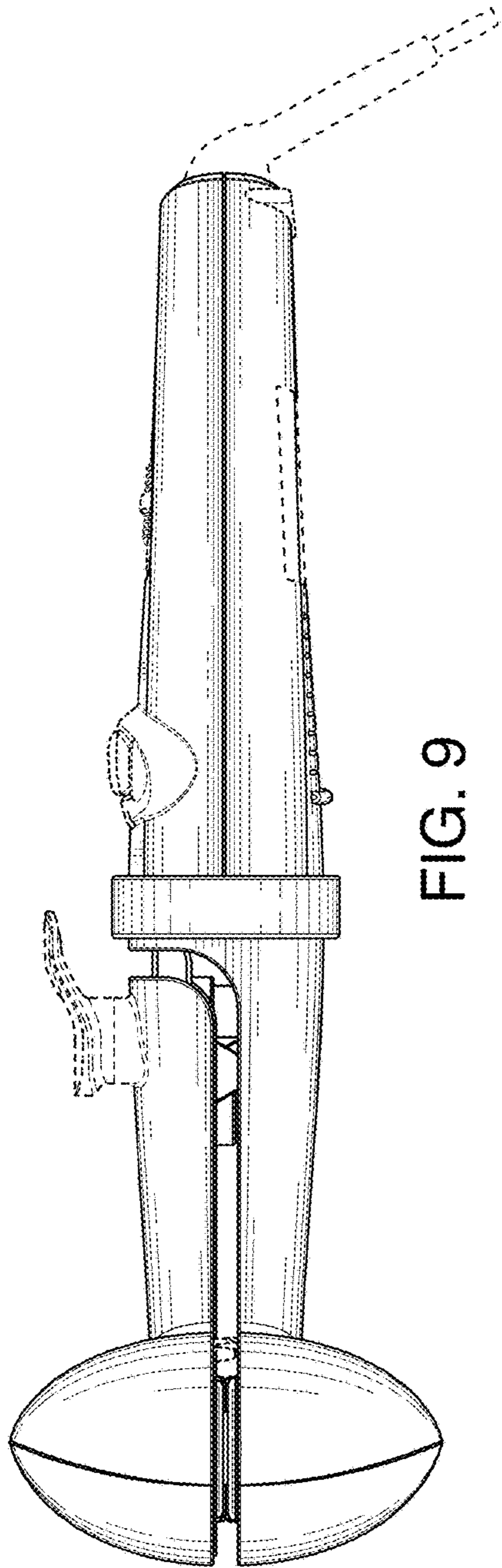


FIG. 9

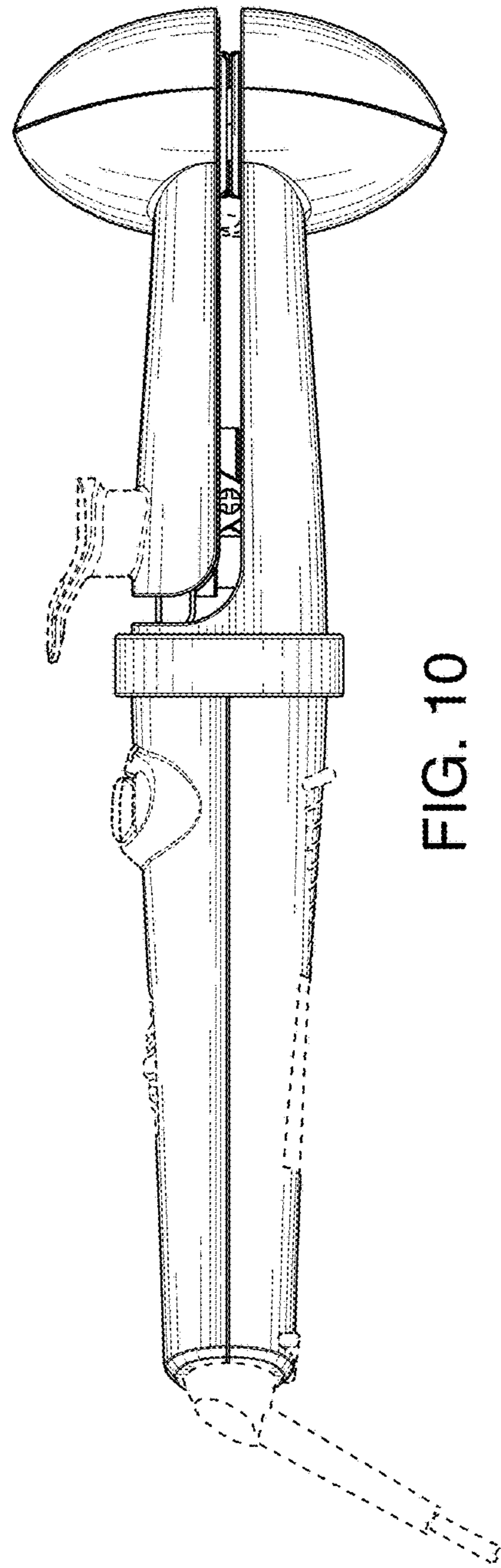


FIG. 10



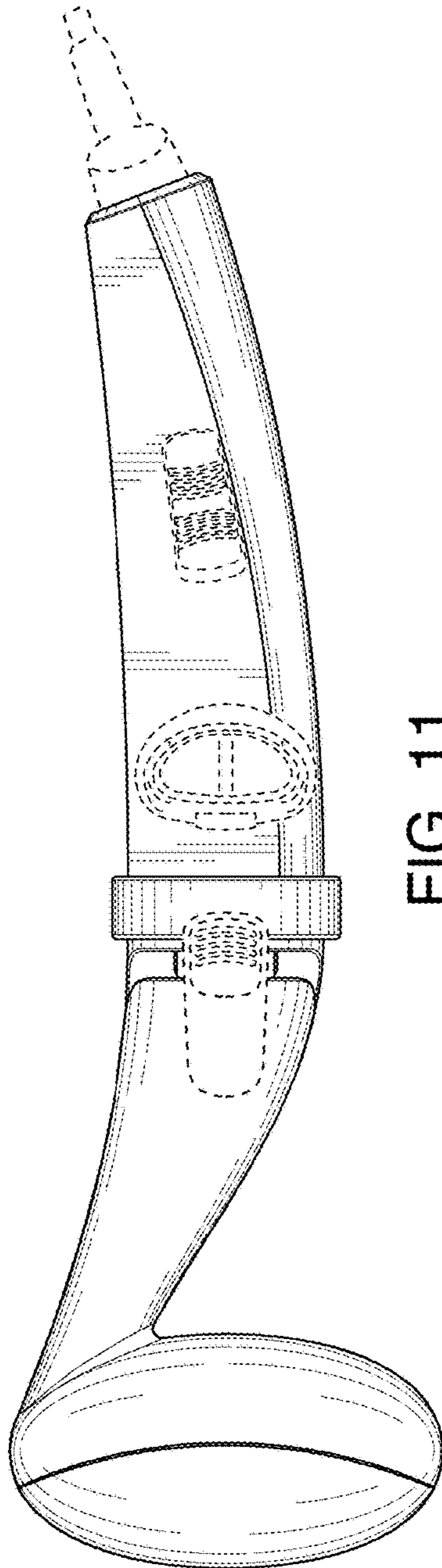


FIG. 11

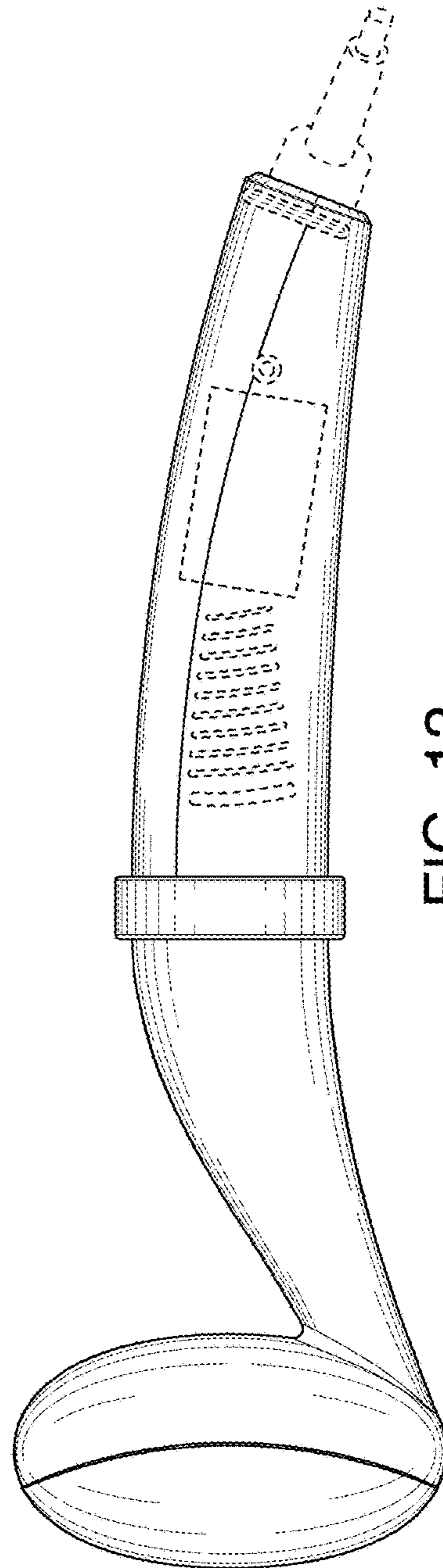


FIG. 12

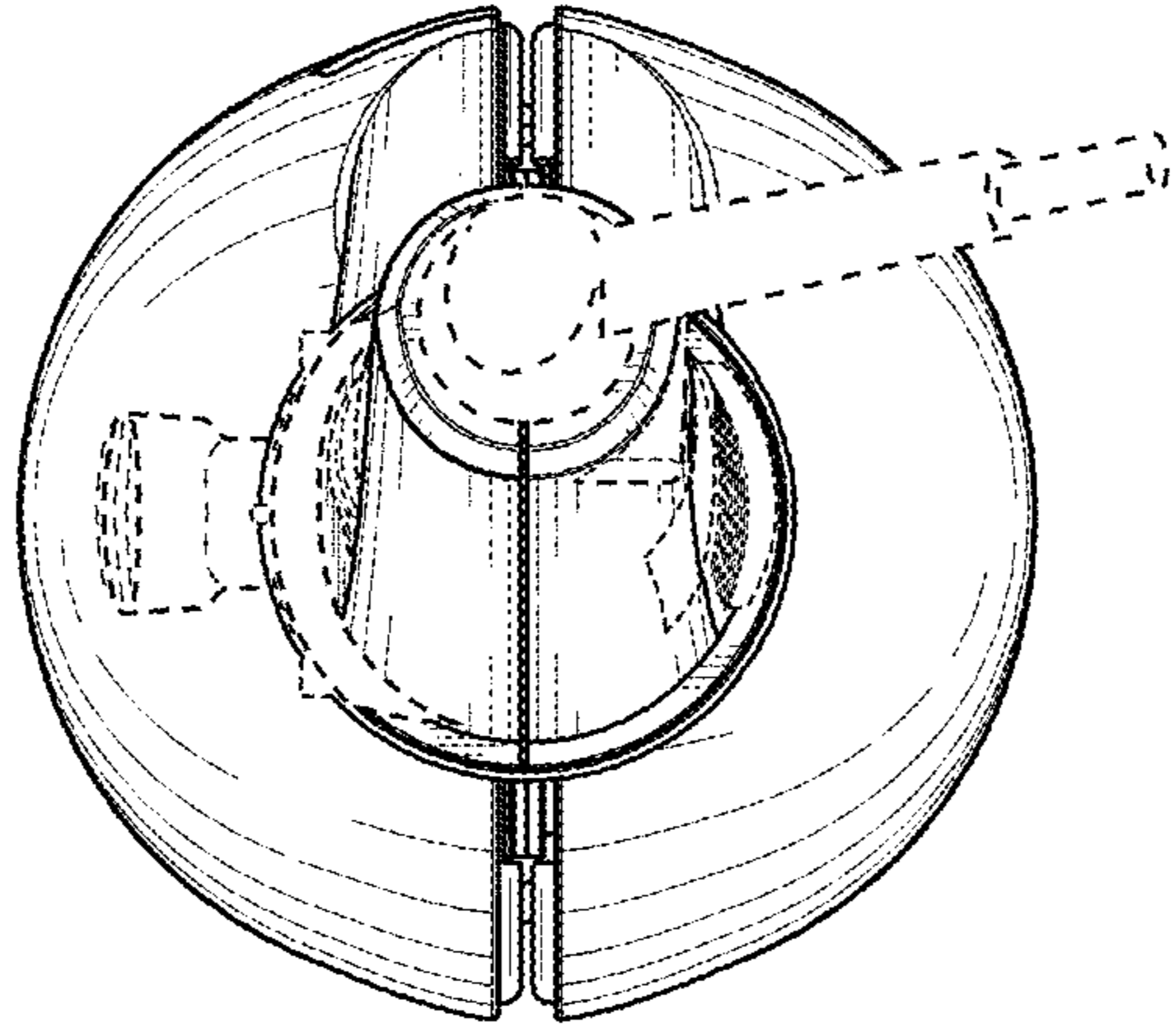


FIG. 14

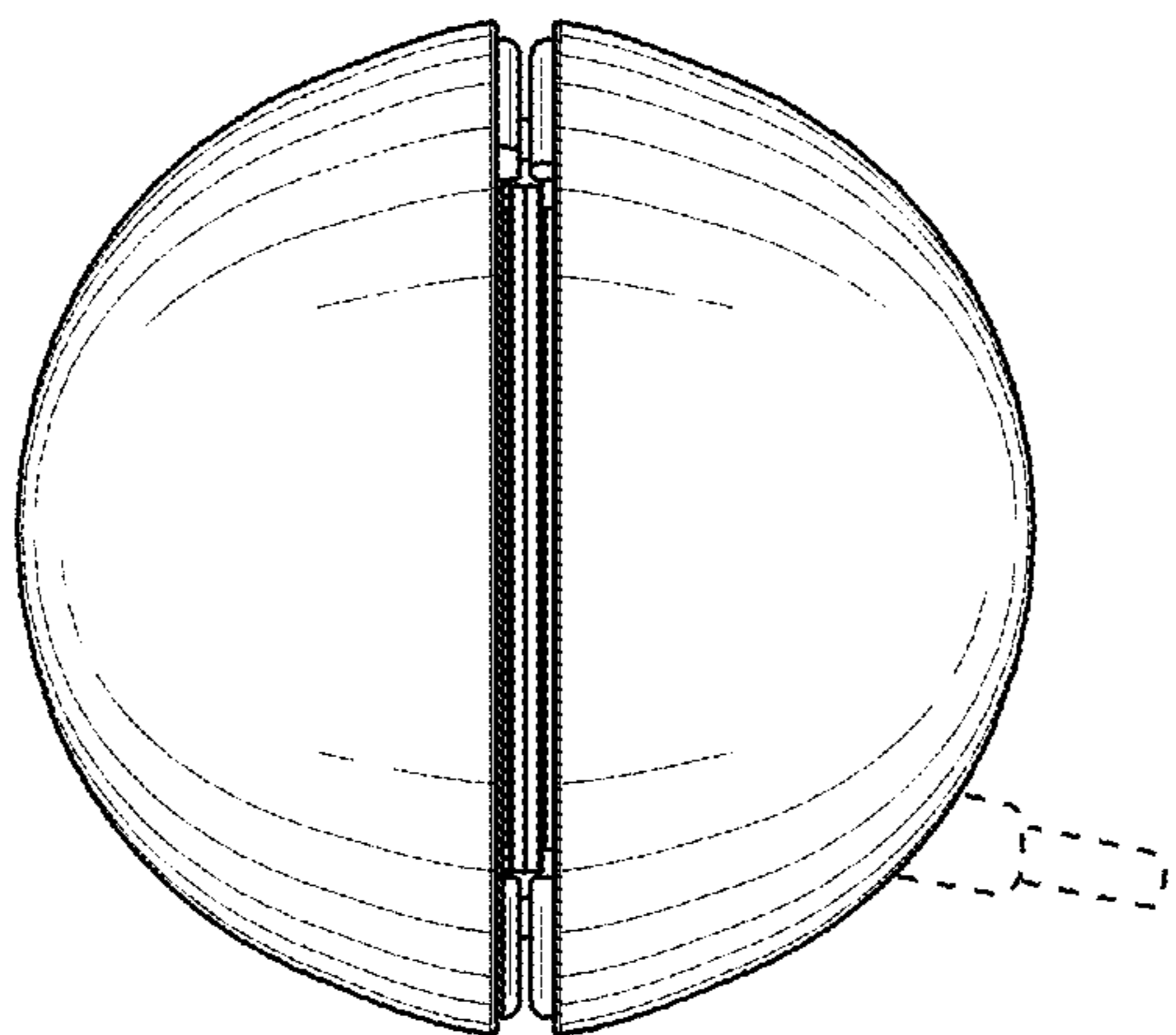


FIG. 13