



US00D773118S

(12) **United States Design Patent**
Soresina et al.

(10) **Patent No.:** **US D773,118 S**

(45) **Date of Patent:** **** Nov. 29, 2016**

(54) **HAIR DRYER**

D603,094 S * 10/2009 Piard D28/13
D681,274 S * 4/2013 Huang D28/13
D681,275 S * 4/2013 Huang D28/13

(71) Applicants: **Claudio Soresina**, Morbio Inferiore
(CH); **Flavio Soresina**, Mendrisio (CH)

* cited by examiner

(72) Inventors: **Claudio Soresina**, Morbio Inferiore
(CH); **Flavio Soresina**, Mendrisio (CH)

Primary Examiner — Zenia Bennett
(74) *Attorney, Agent, or Firm* — Young & Thompson

(**) Term: **14 Years**

(57) **CLAIM**
The ornamental design for a hair dryer, as shown and described.

(21) Appl. No.: **29/514,739**

DESCRIPTION

(22) Filed: **Jan. 15, 2015**

(30) **Foreign Application Priority Data**

Sep. 16, 2014 (WO) DM/084423

(51) **LOC (10) Cl.** **28-03**

(52) **U.S. Cl.**
USPC **D28/13**

(58) **Field of Classification Search**
USPC D28/12-19; 34/96-101; 392/380-385;
219/222

CPC A45D 20/12; A45D 20/00
See application file for complete search history.

FIG. 1 is a left side elevation view of a hair dryer showing the new design;
FIG. 2 is a right side elevation view thereof;
FIG. 3 is a front elevation view thereof;
FIG. 4 is a top plan view thereof;
FIG. 5 is a rear elevation view thereof;
FIG. 6 is a left side, front, and bottom perspective view thereof;
FIG. 7 is a left side elevation view of an alternate embodiment thereof;
FIG. 8 is a right side elevation view thereof;
FIG. 9 is a front elevation view thereof;
FIG. 10 is a rear elevation view thereof;
FIG. 11 is a top plan view thereof; and,
FIG. 12 is a left side, front, and bottom perspective view thereof.

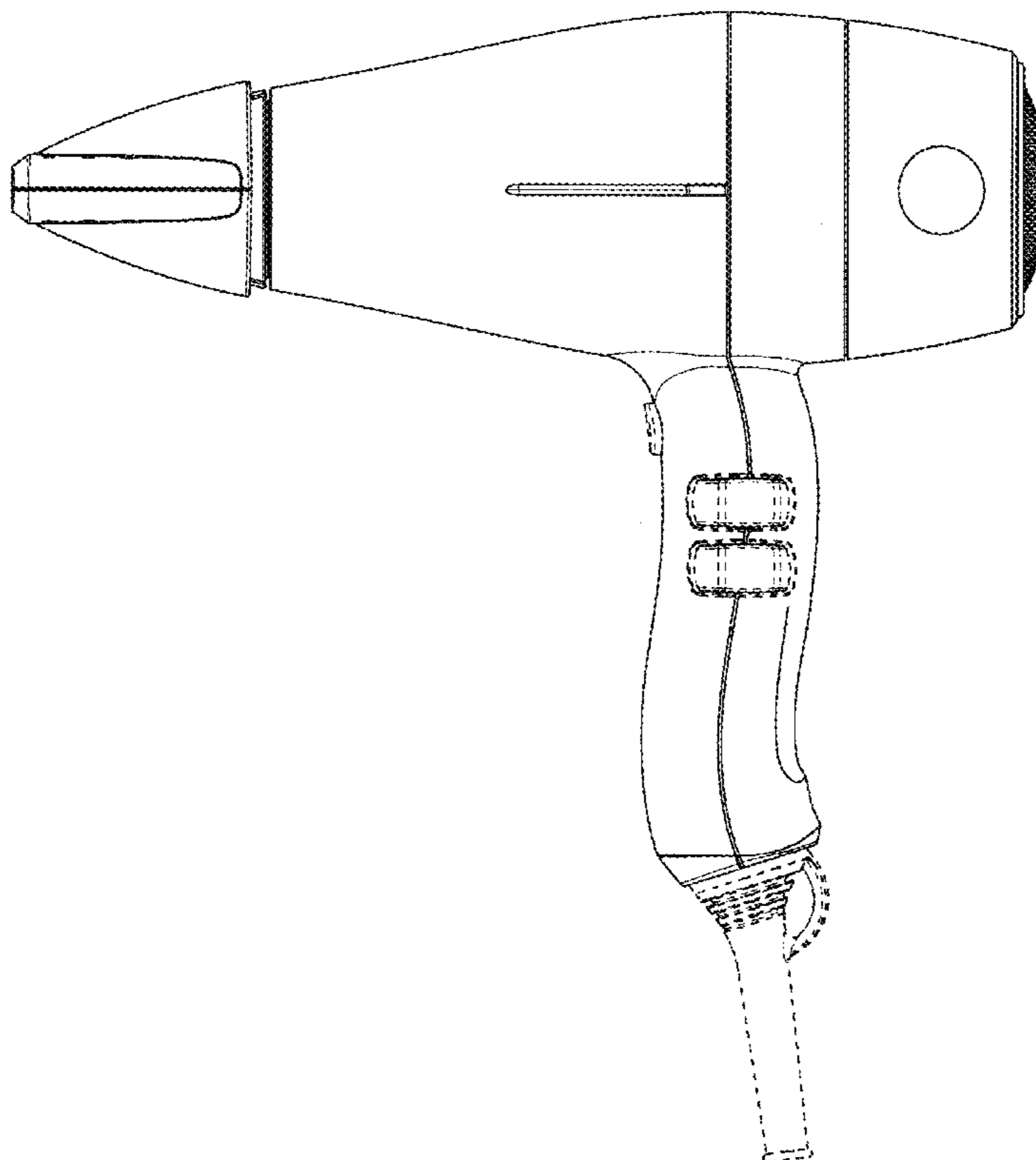
The portions of the design shown in broken lines show unclaimed subject matter.

(56) **References Cited**

U.S. PATENT DOCUMENTS

D543,313 S * 5/2007 Petruccelli, Jr. D28/13
D544,998 S * 6/2007 Petruccelli D28/13

1 Claim, 12 Drawing Sheets



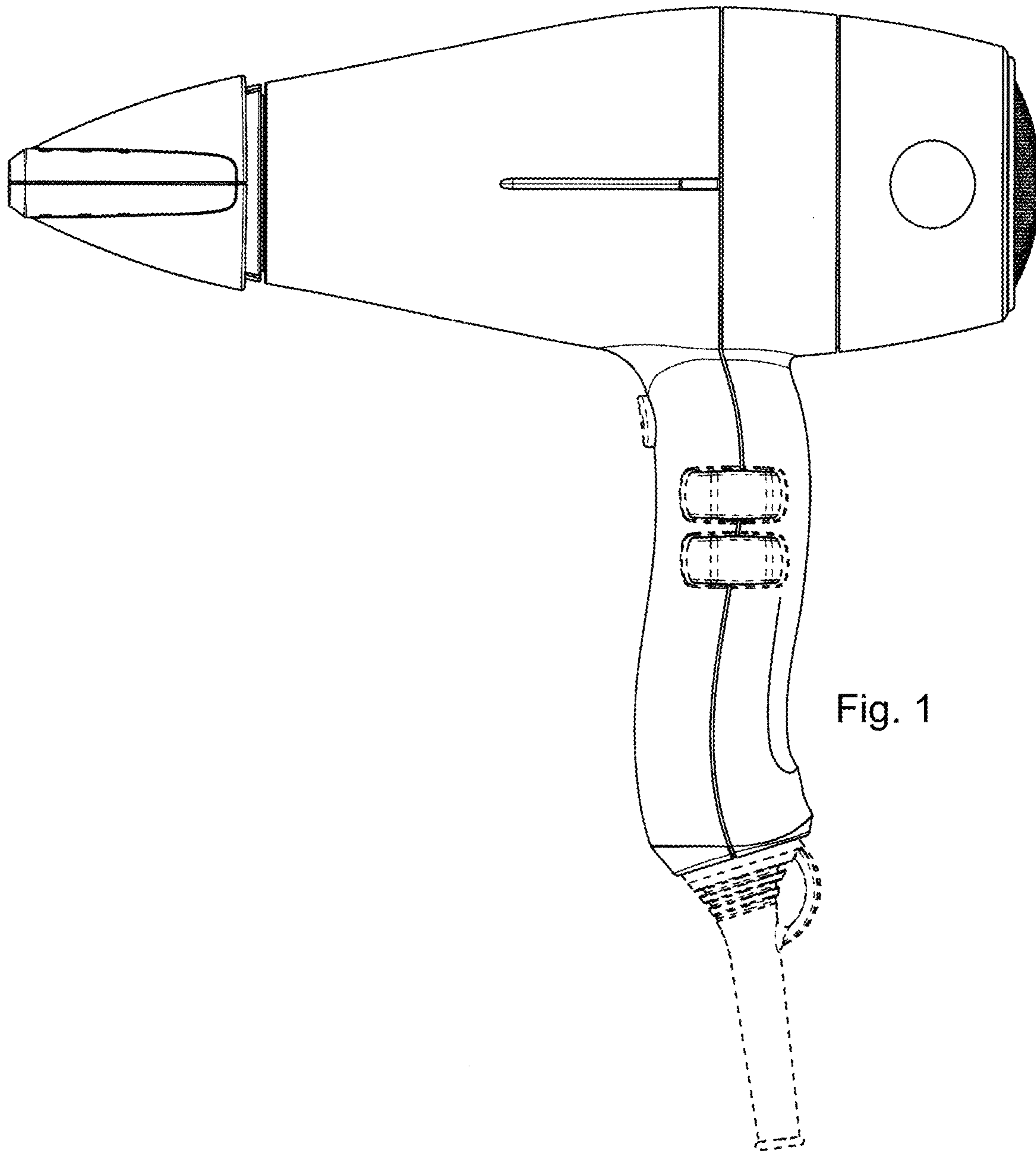


Fig. 1

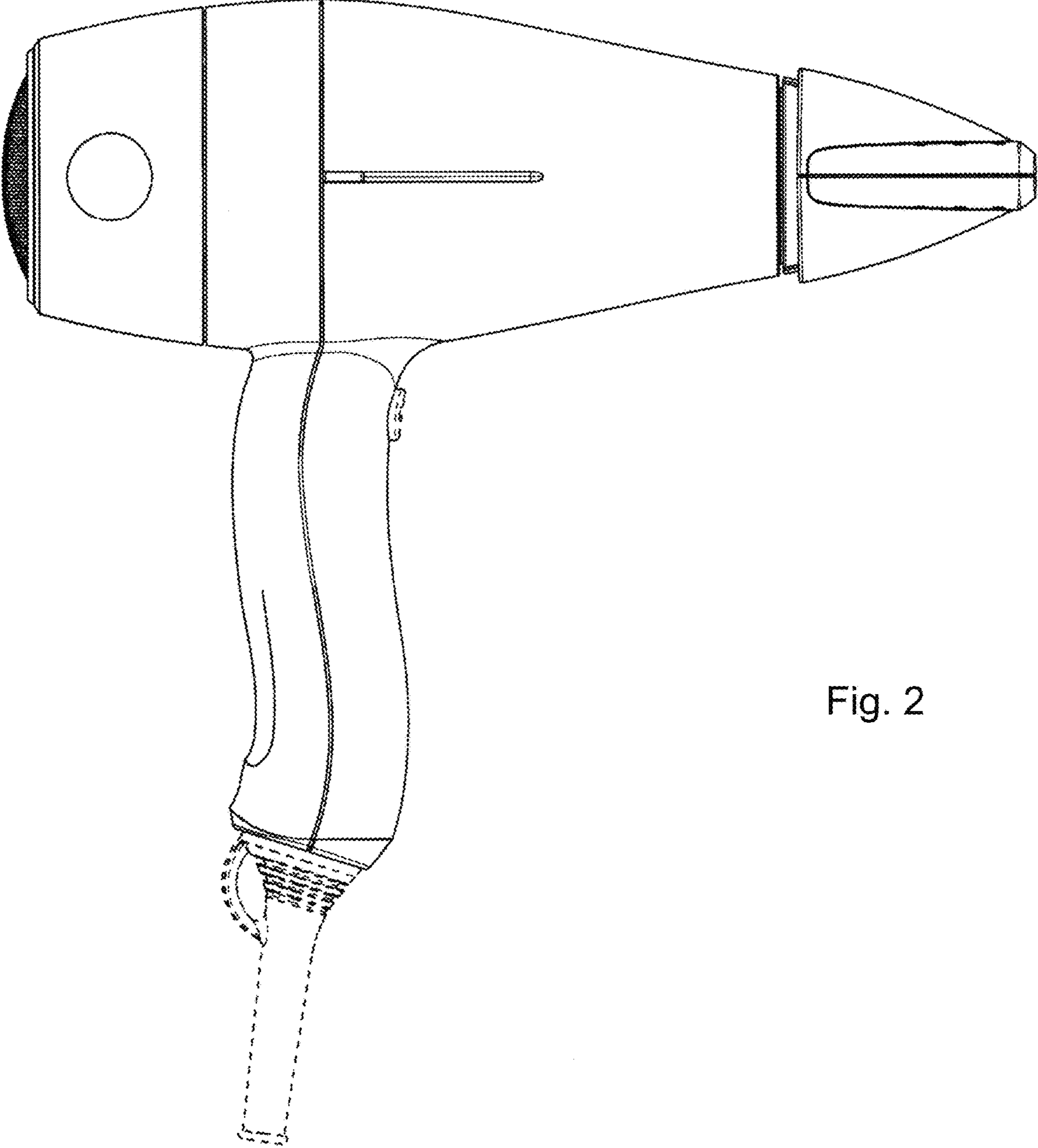


Fig. 2

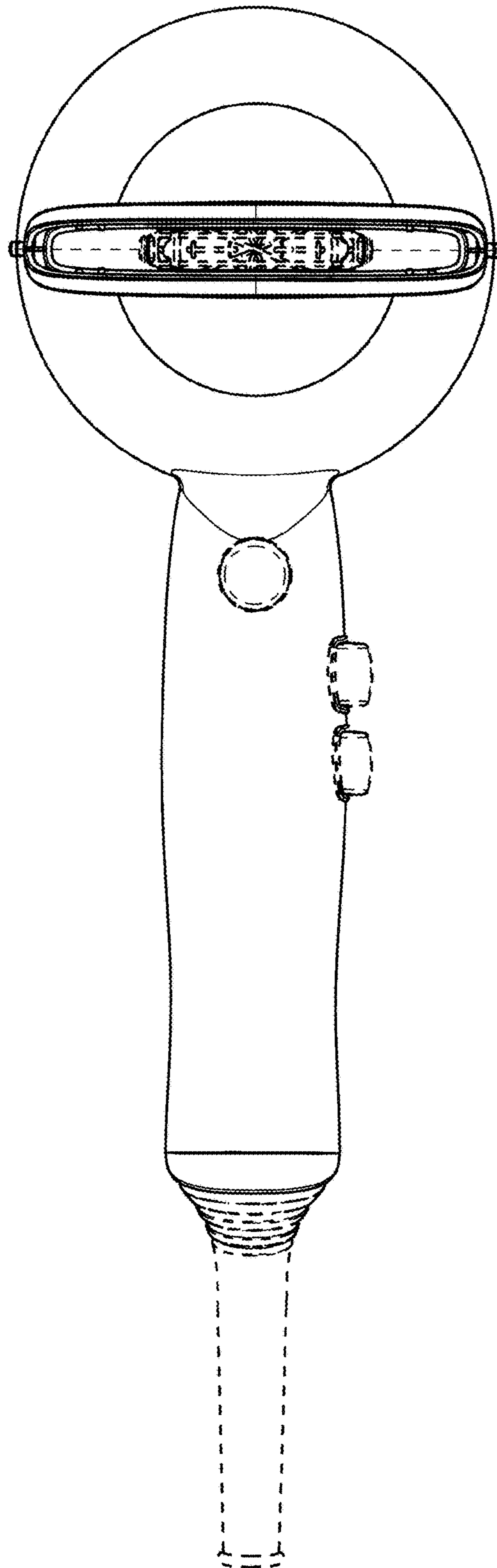


Fig. 3

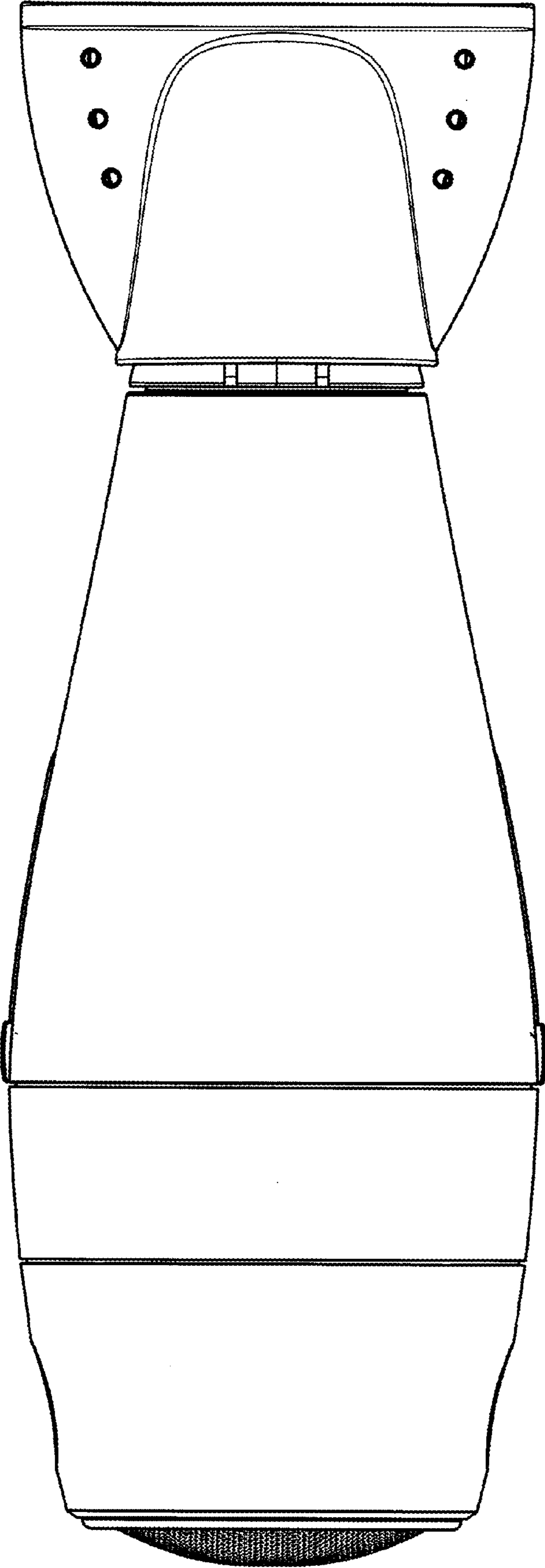


Fig. 4

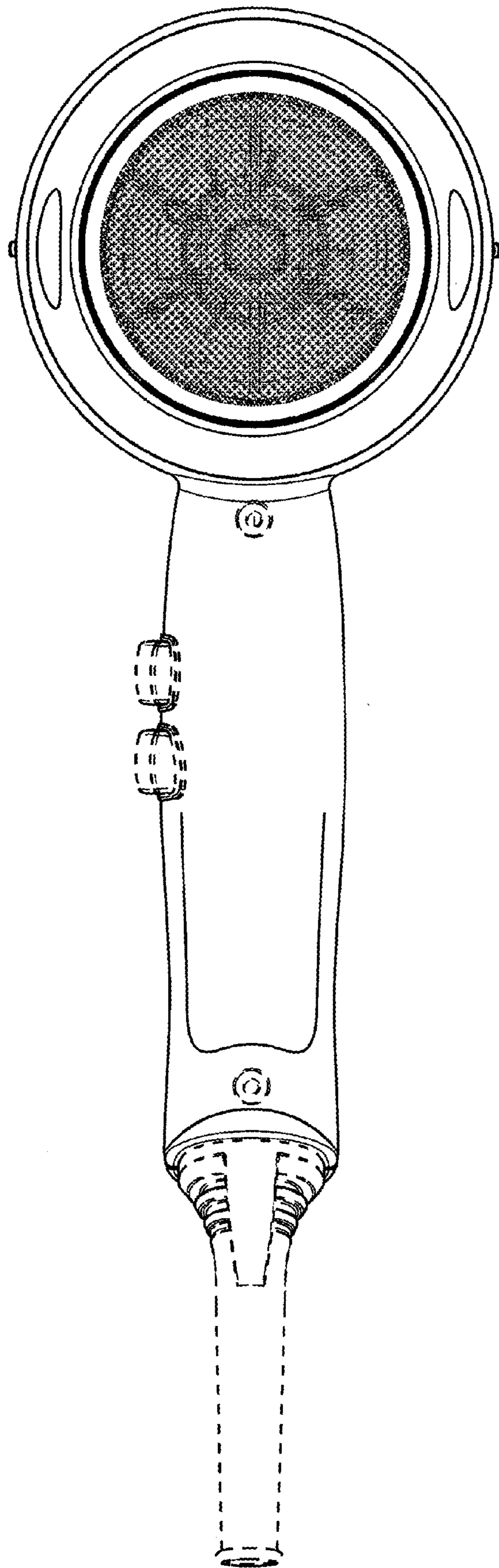


Fig. 5

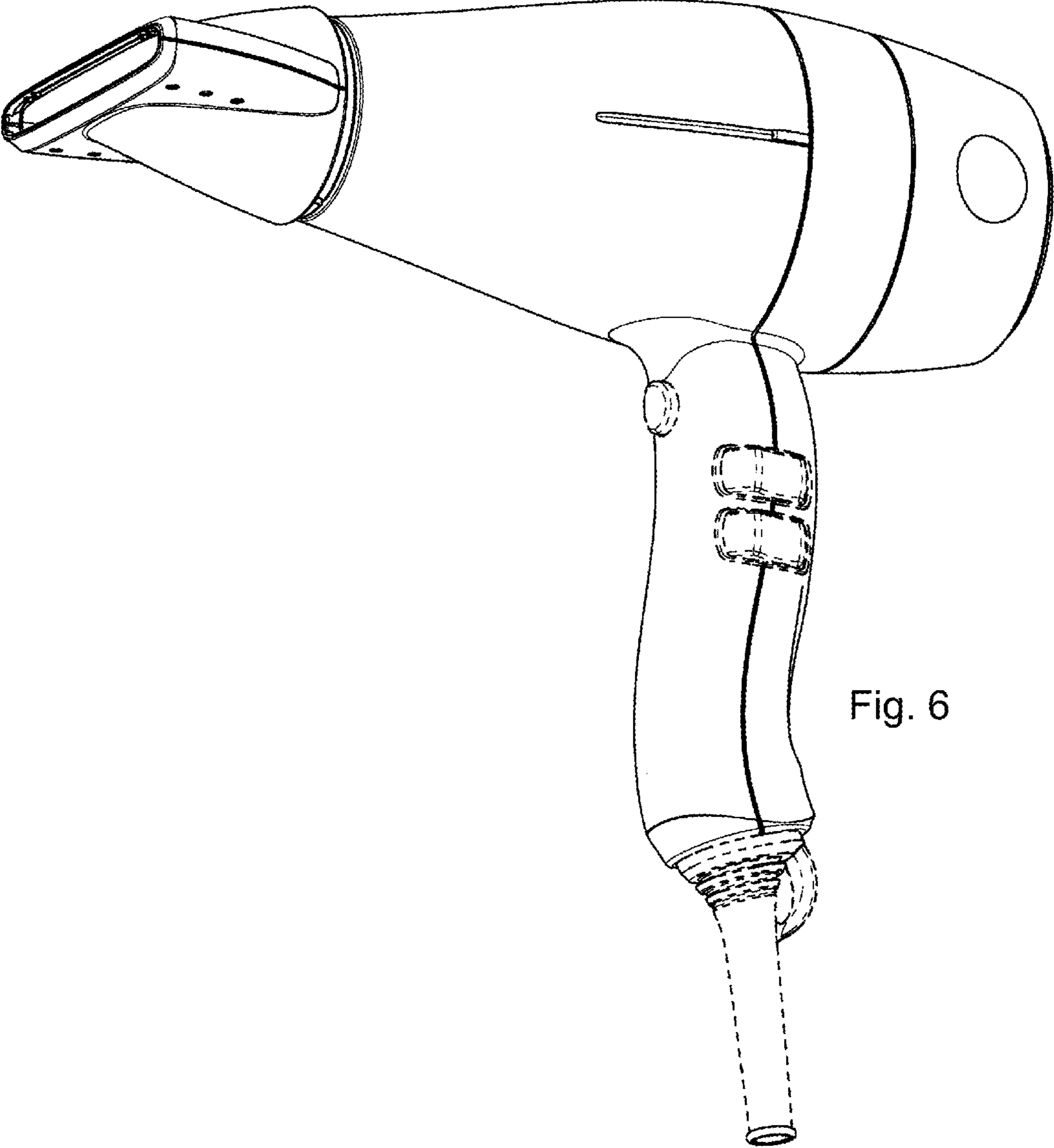


Fig. 6

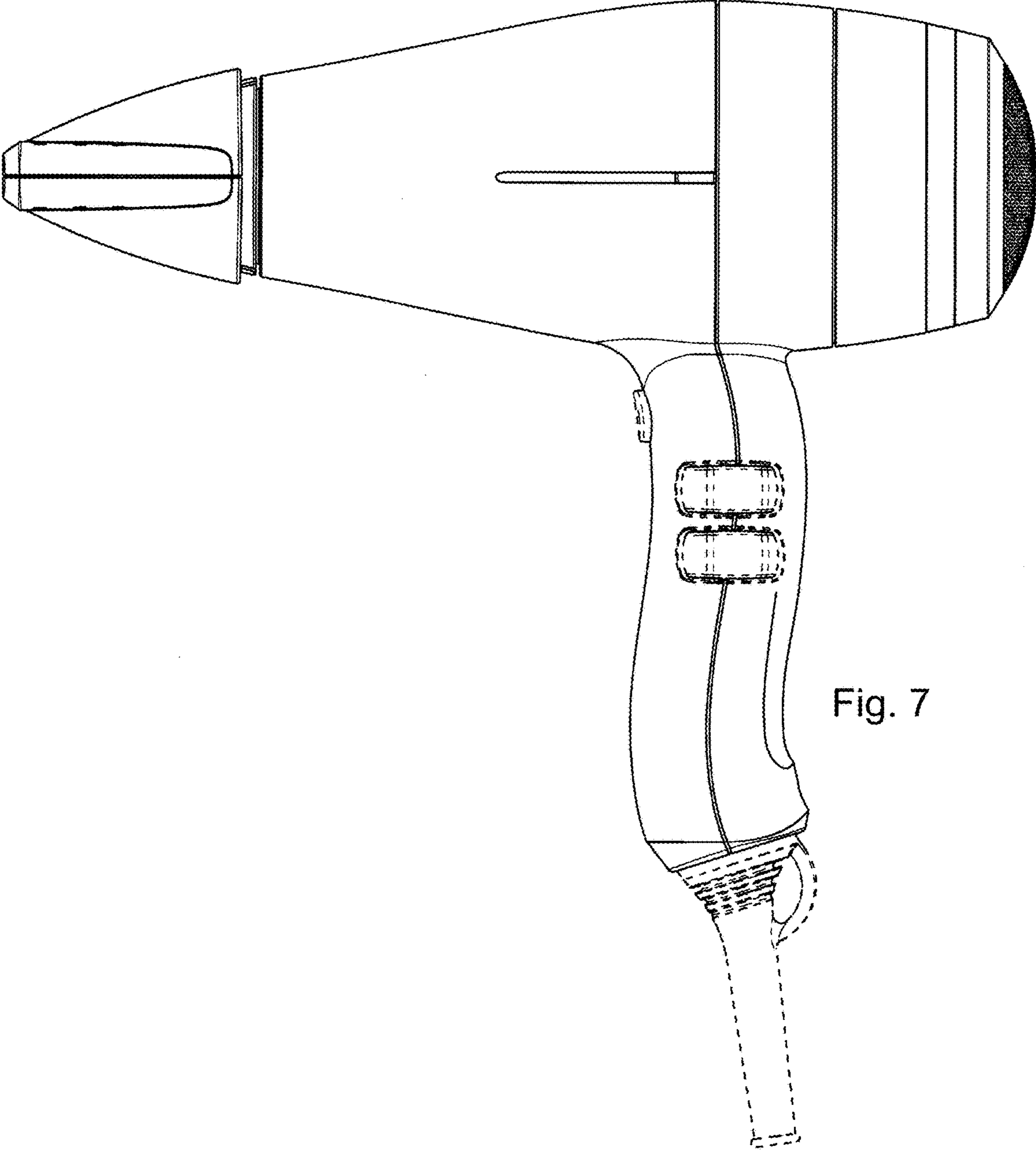


Fig. 7

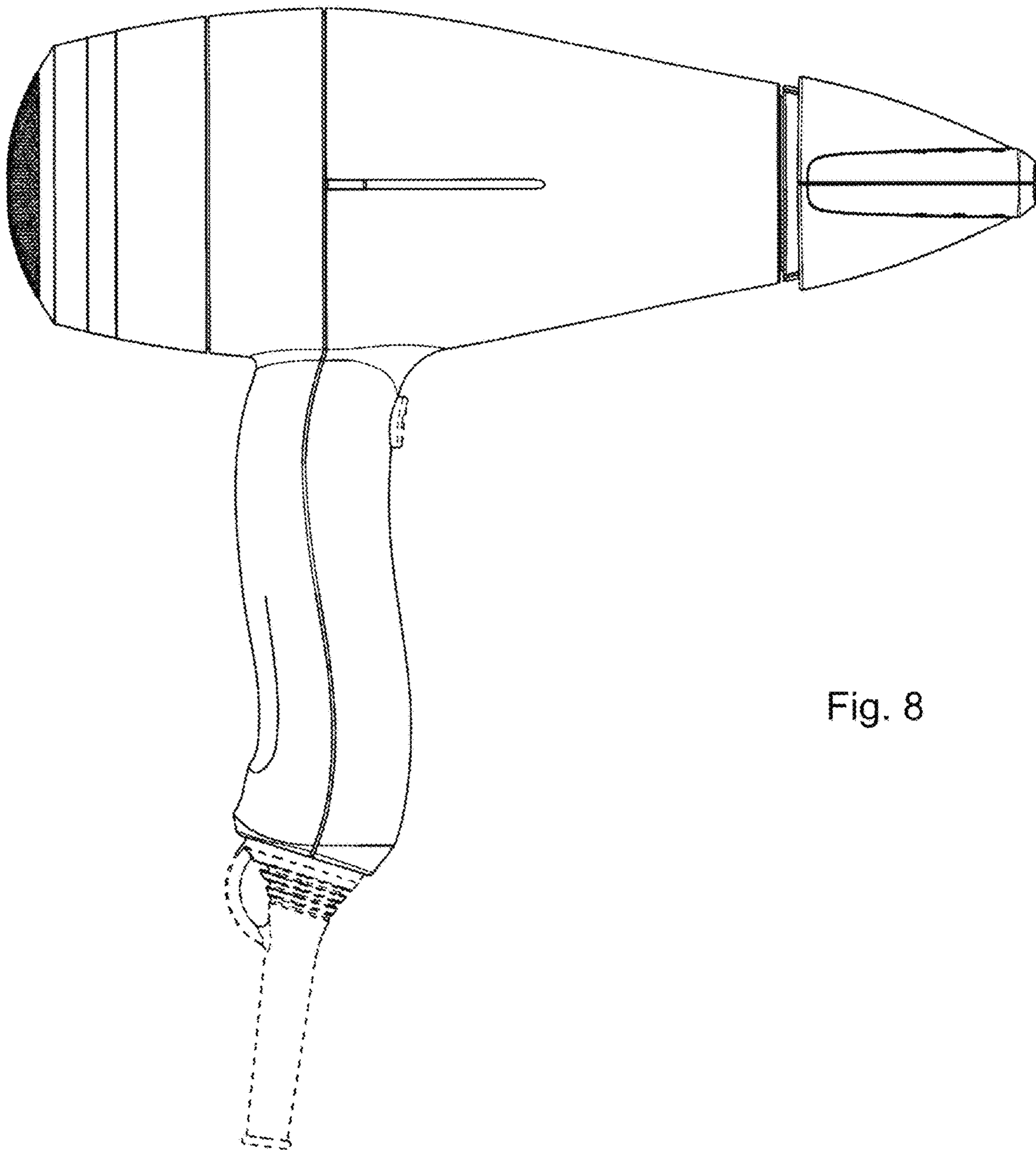


Fig. 8

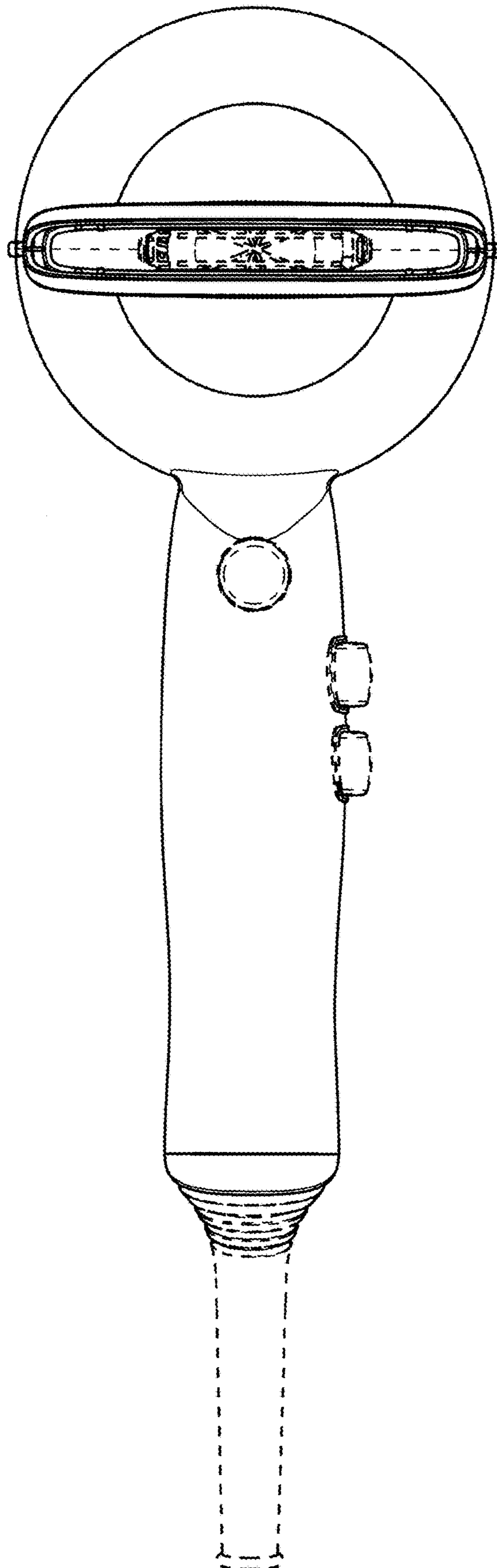


Fig. 9

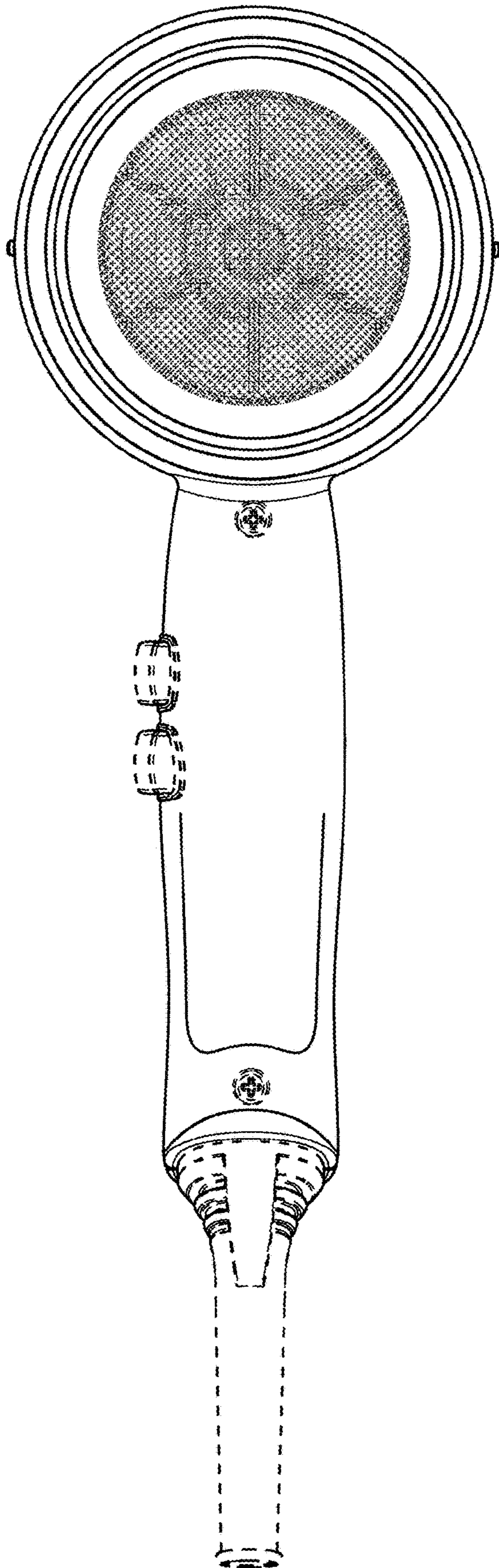


Fig. 10

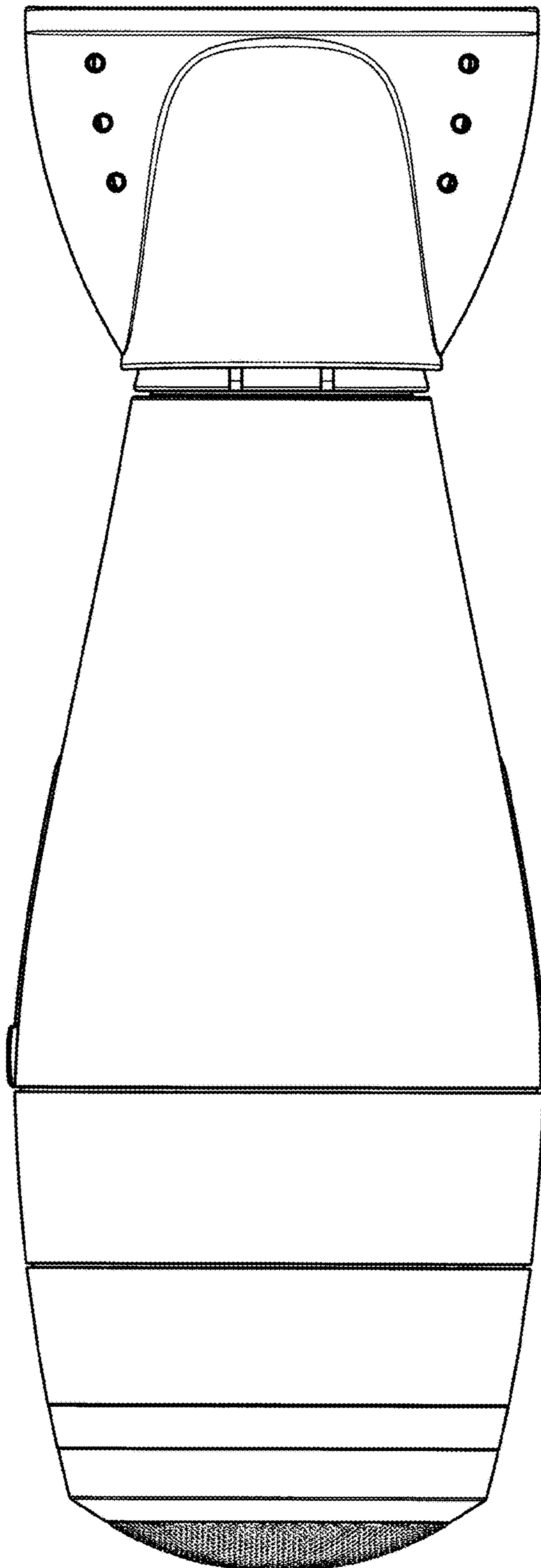


Fig. 11

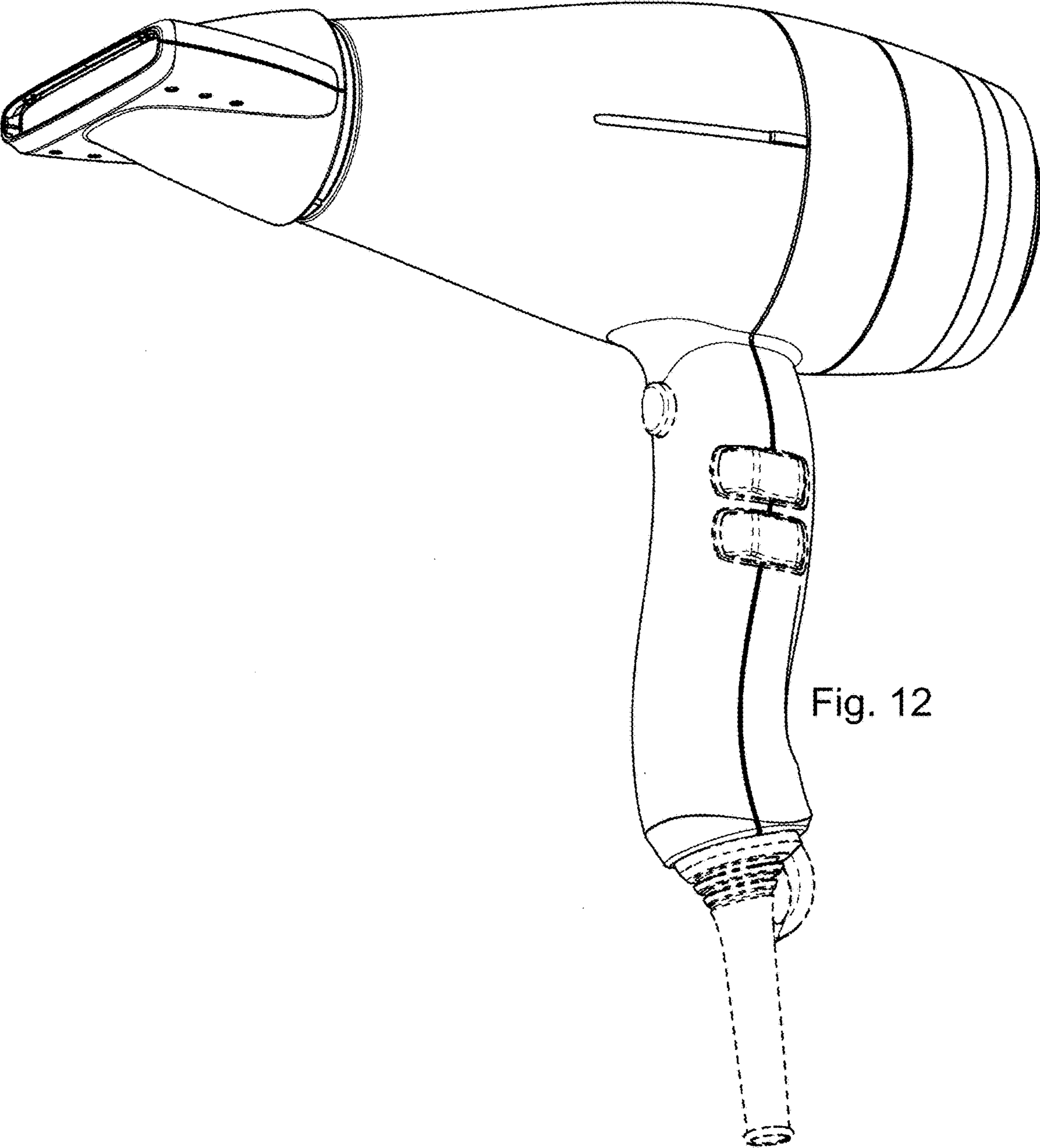


Fig. 12