



US00D773117S

(12) **United States Design Patent** (10) **Patent No.:** **US D773,117 S**
Crawford et al. (45) **Date of Patent:** **** Nov. 29, 2016**

(54) **SOAP BAR** D467,385 S 12/2002 Crawford
 D470,385 S 2/2003 Chen
 (71) Applicant: **COLGATE-PALMOLIVE** D520,186 S * 5/2006 Caroen D28/8.1
COMPANY, New York, NY (US) D547,492 S 7/2007 Caroen et al.
 D588,742 S * 3/2009 Sommer D28/8.1
 (72) Inventors: **John C. Crawford**, Mahopac, NY D659,283 S * 5/2012 Caboen D28/8.1
 (US); **Kiat-Cheong Toh**, Forest Hills, D665,945 S * 8/2012 Macias D28/8.1
 NY (US) 8,303,203 B2 * 11/2012 Bahash A47K 5/08
 401/49
 D743,100 S * 11/2015 Crawford D28/8.1
 D752,288 S * 3/2016 Crawford D28/8.1
 (73) Assignee: **Colgate-Palmolive Company**, New 2002/0077258 A1 * 6/2002 Sonnenberg C11D 13/14
 York, NY (US) 510/141
 2004/0248751 A1 * 12/2004 Johnson B65D 65/10
 510/141
 (**) Term: **15 Years** 2007/0270322 A1 * 11/2007 Pak C11D 17/0047
 510/141
 (21) Appl. No.: **29/557,142** 2009/0192070 A1 * 7/2009 Feng C11D 13/14
 510/449
 (22) Filed: **Mar. 7, 2016**

Related U.S. Application Data

(62) Division of application No. 29/501,342, filed on Sep. 3, 2014, now Pat. No. Des. 752,288.
 (51) **LOC (10) Cl.** **28-02**
 (52) **U.S. Cl.**
 USPC **D28/8.1**
 (58) **Field of Classification Search**
 USPC 510/141, 147, 148; D28/8.1-8.2
 CPC C11D 17/00; C11D 17/0017; C11D
 17/0026; C11D 17/0047-17/0095; C11D
 13/16; C11D 13/18; C11D 13/20; C11D
 17/02
 See application file for complete search history.

References Cited

U.S. PATENT DOCUMENTS

D51,395 S 10/1917 Schwartzberg
 D201,110 S * 5/1965 Horne D24/101
 D204,648 S 5/1966 Bonardi
 D210,709 S 4/1968 Douglas
 D269,127 S * 5/1983 Christianson D28/8.1
 D346,241 S * 4/1994 Crawford D28/8.1
 D348,541 S 7/1994 Crawford
 D351,923 S * 10/1994 Crawford D28/8.1
 D352,364 S * 11/1994 Dietz D28/8.1
 D356,474 S 3/1995 Chow

FOREIGN PATENT DOCUMENTS

AR 81924 10/2011
 BR 7100077-1 10/2011
 CD 002023226-0001 4/2012
 DM DM/053532 10/2000
 DM DM/075416 2/2011
 MX 16178 10/2000

* cited by examiner

Primary Examiner — Jennifer Rivard

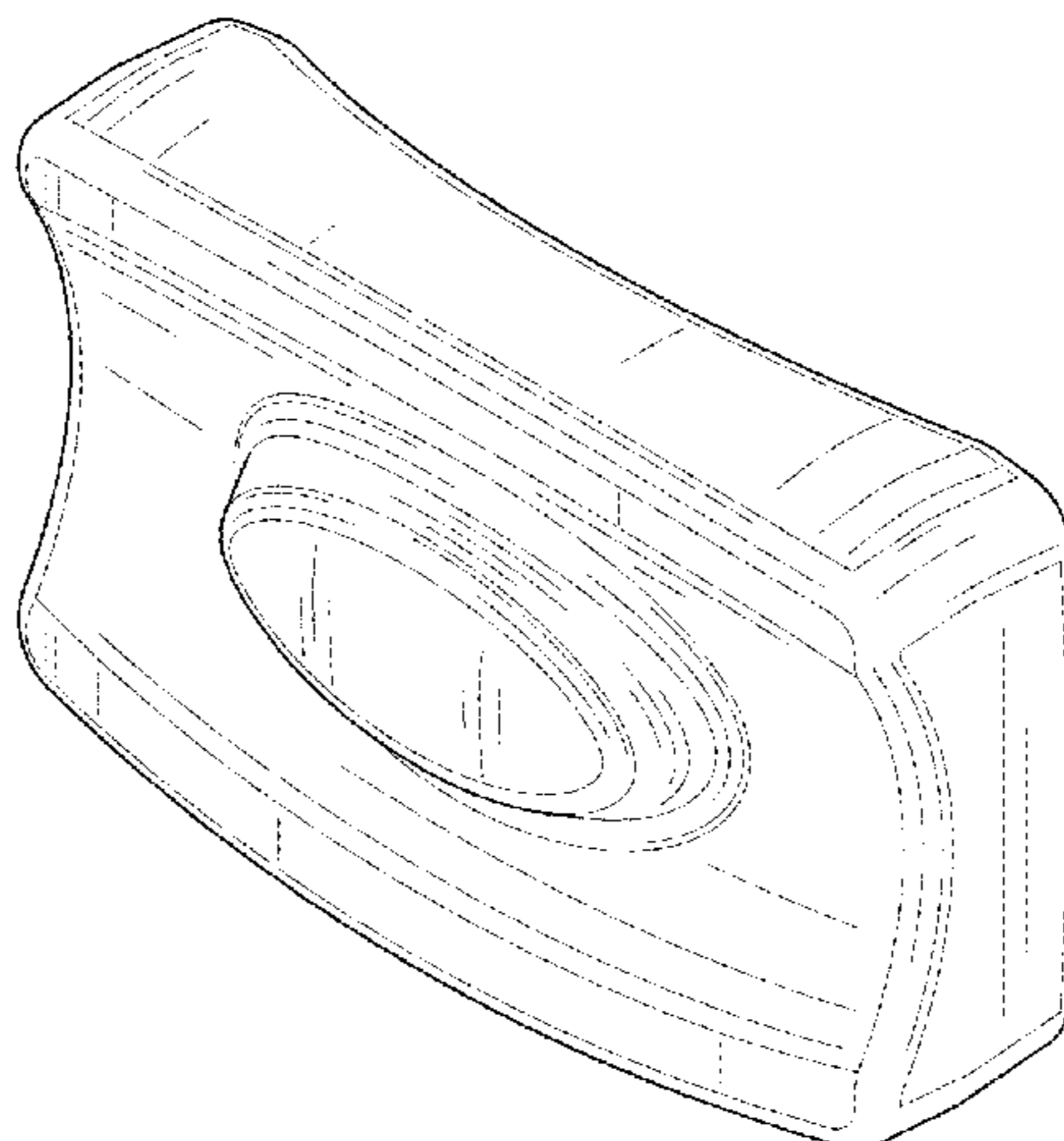
(57) **CLAIM**

The ornamental design for a soap bar, as shown and described.

DESCRIPTION

FIG. 1 is a front perspective view of a soap bar according to the new design;
 FIG. 2 is a rear perspective view thereof;
 FIG. 3 is a front view thereof;
 FIG. 4 is a rear view thereof;
 FIG. 5 is a left side view thereof;
 FIG. 6 is a right side view thereof
 FIG. 7 is a top plan view thereof; and,
 FIG. 8 is a bottom plan view thereof.

1 Claim, 5 Drawing Sheets



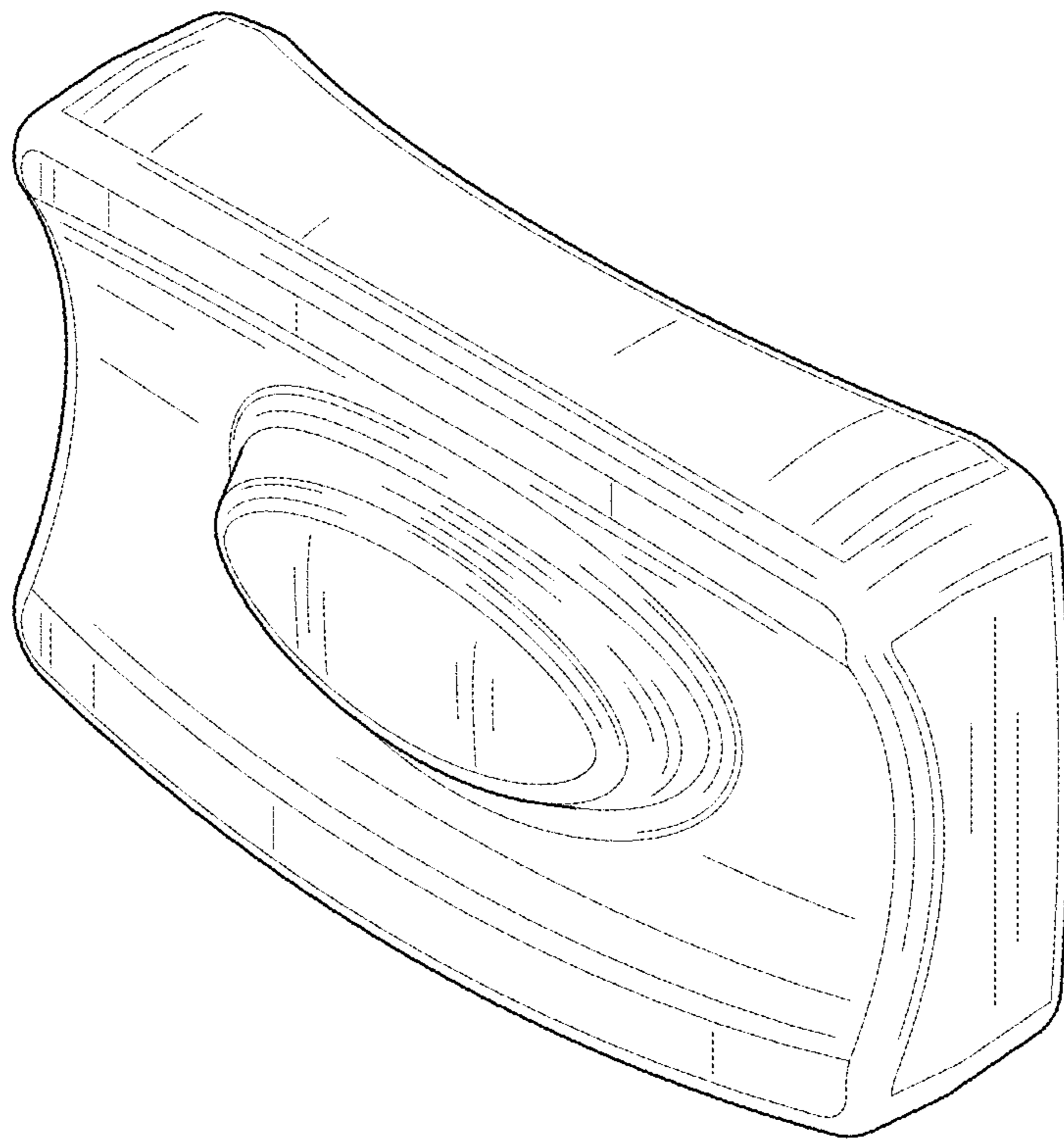


FIG. 1

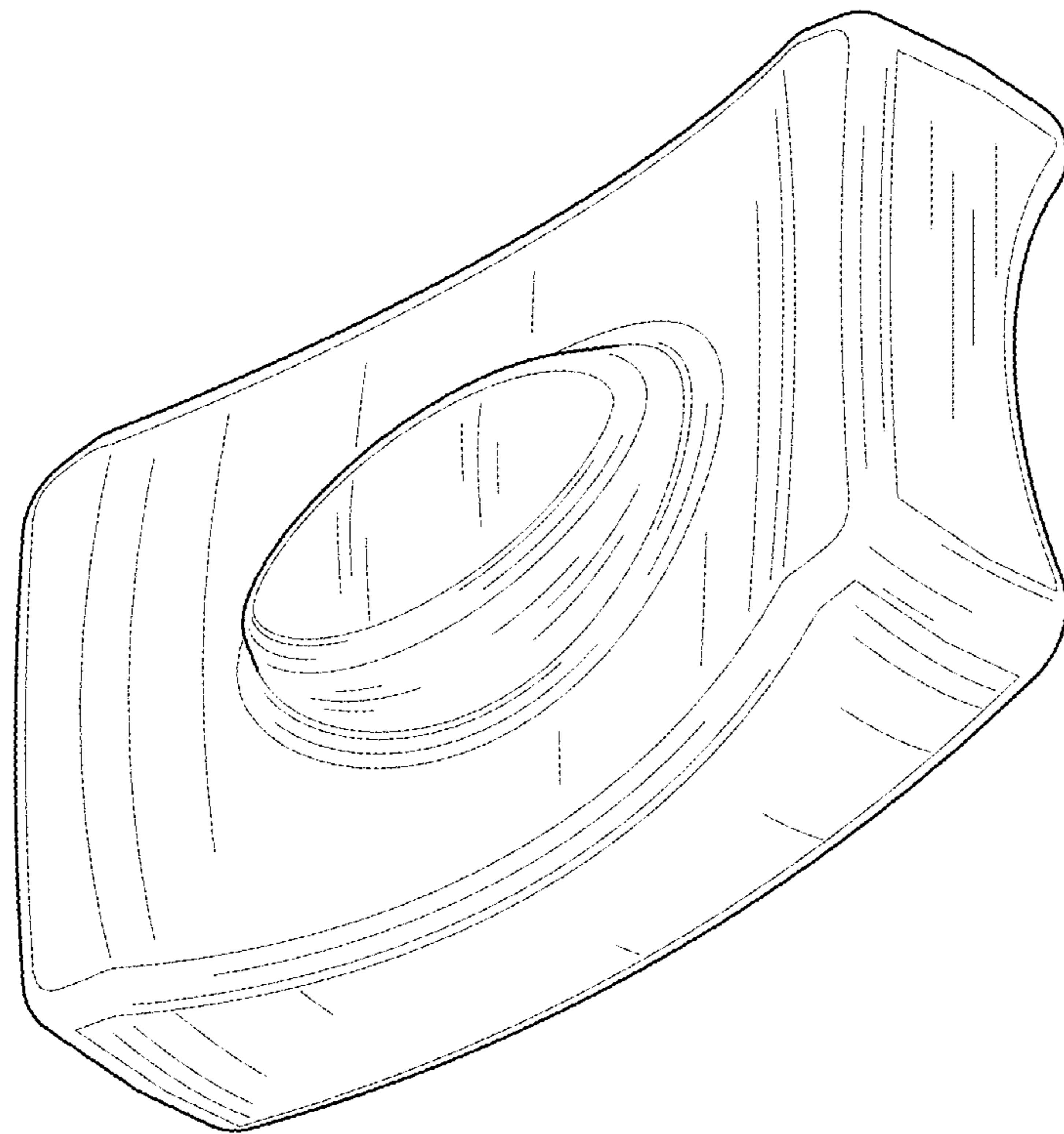


FIG. 2

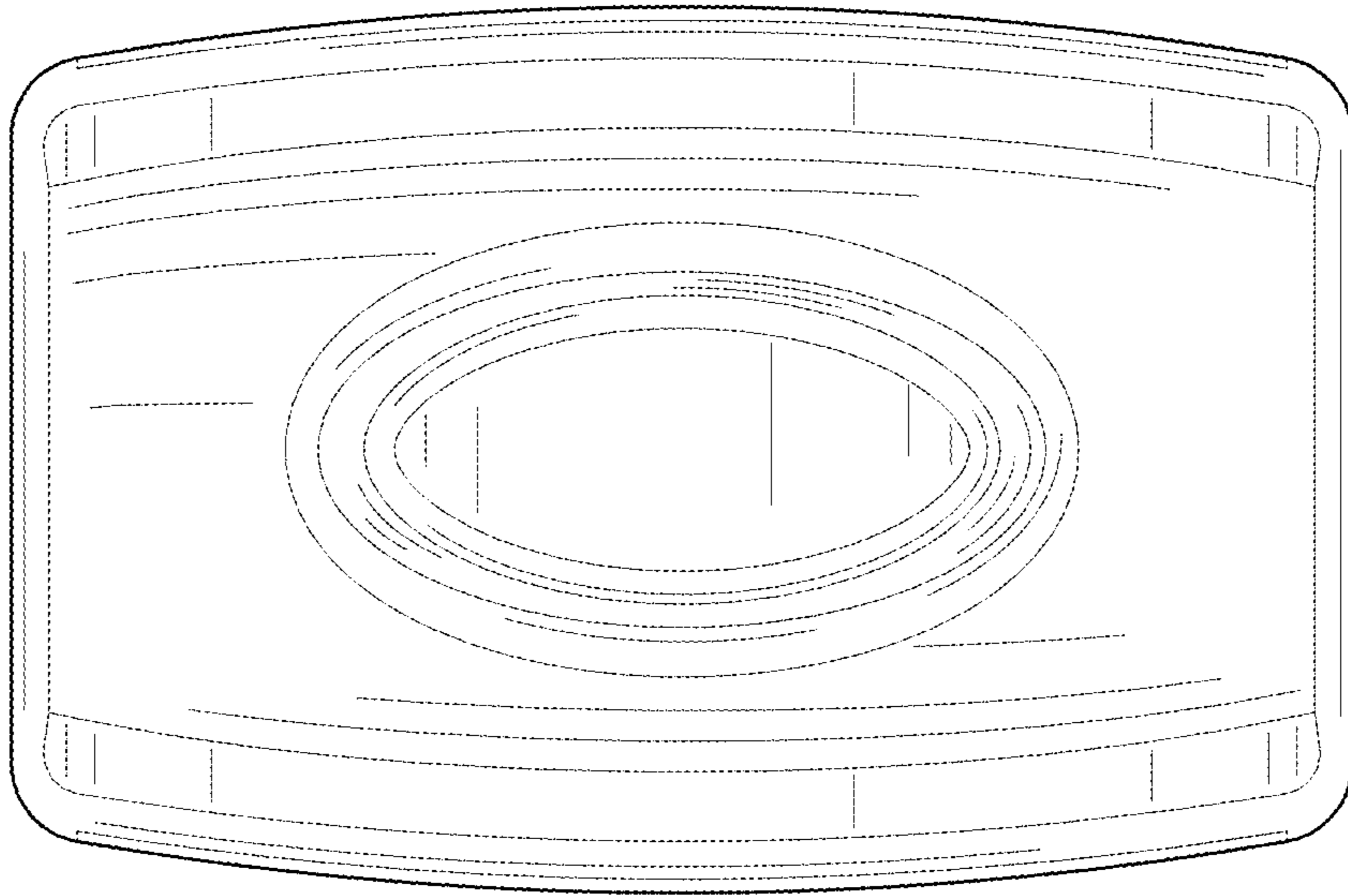


FIG. 3

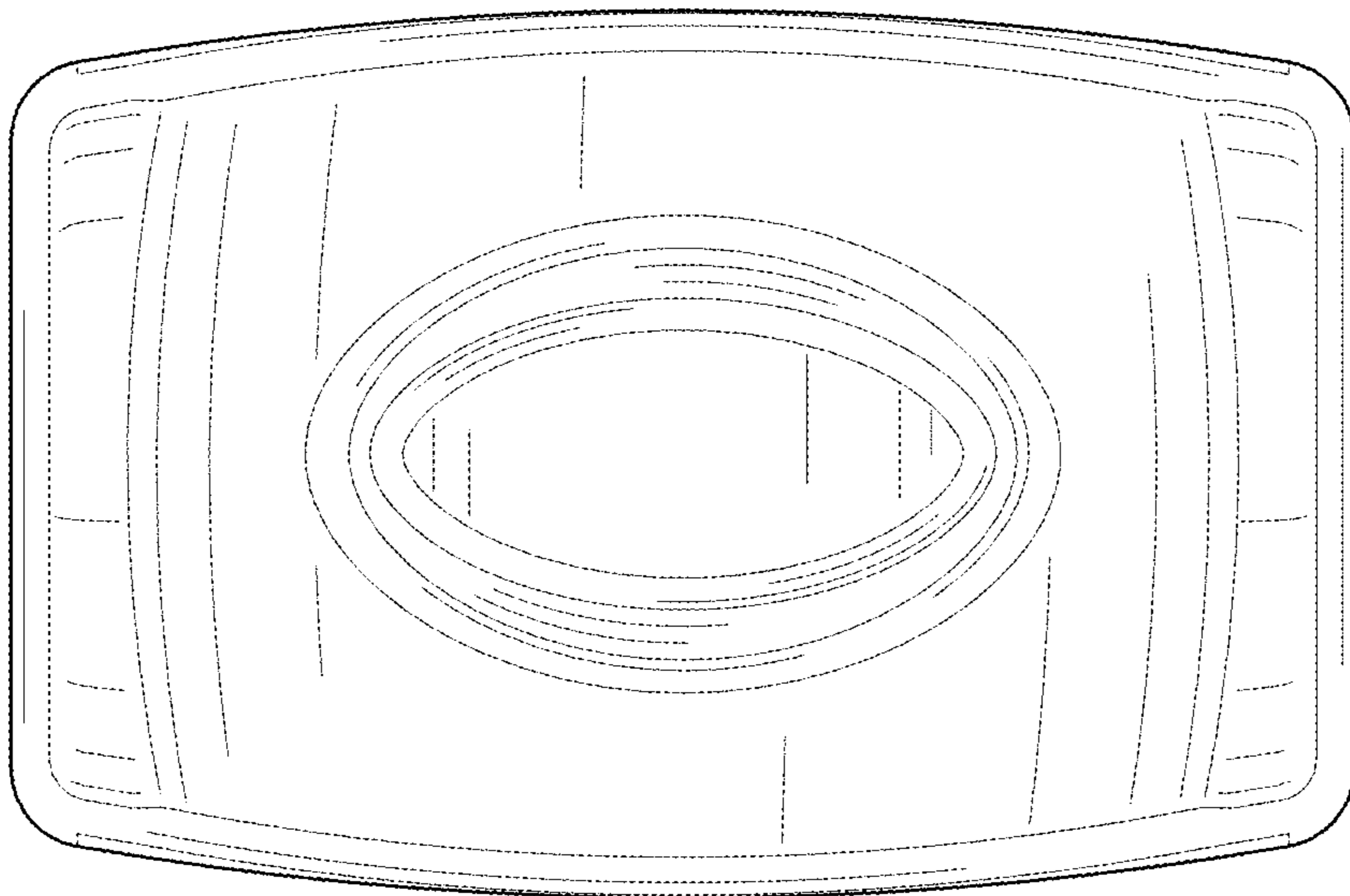


FIG. 4

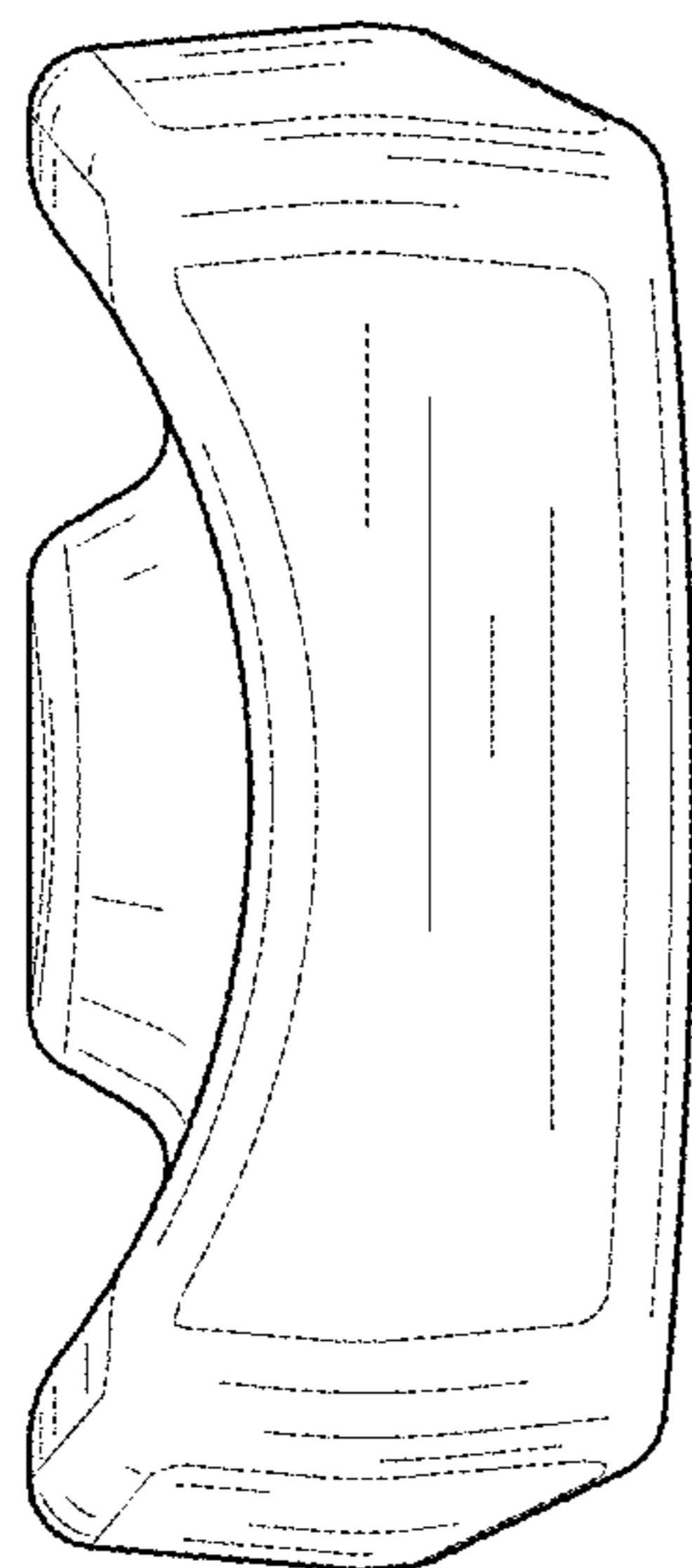


FIG. 5

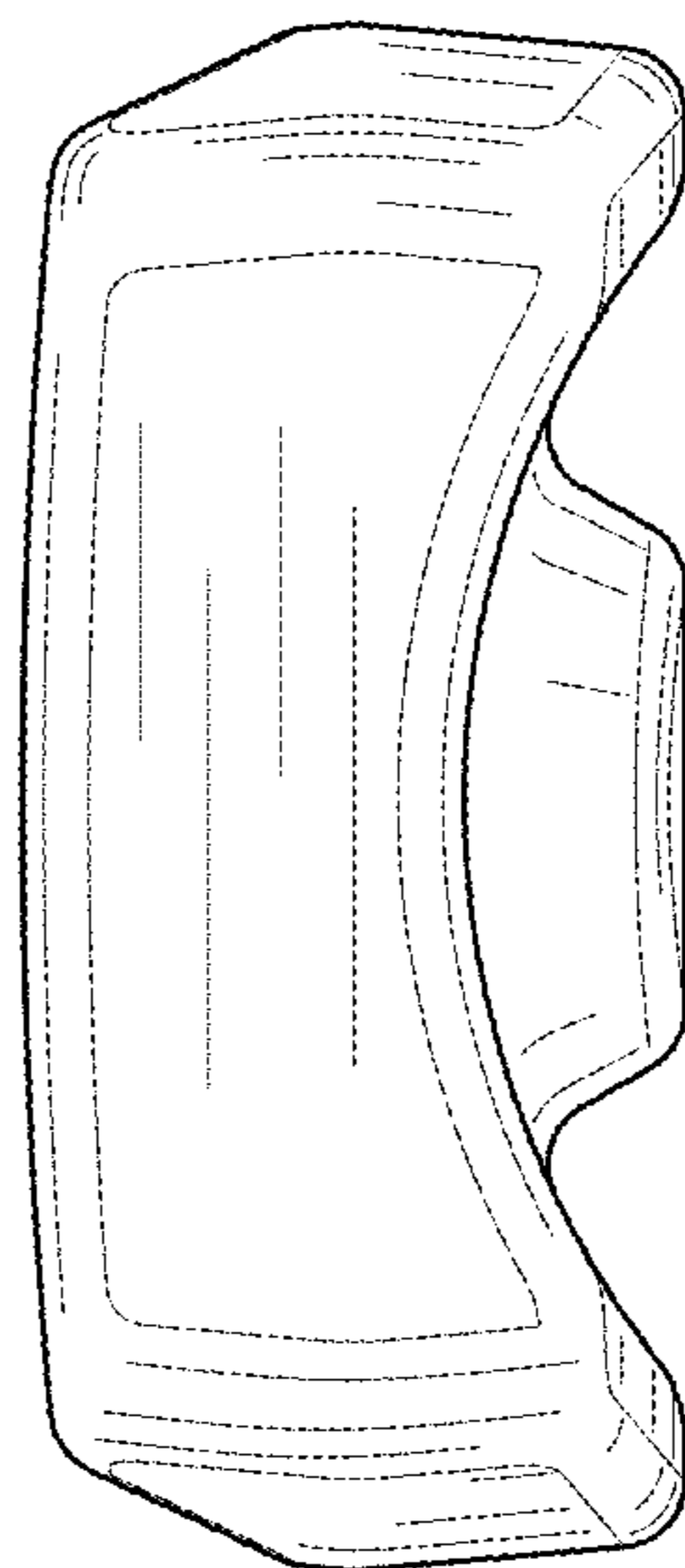


FIG. 6

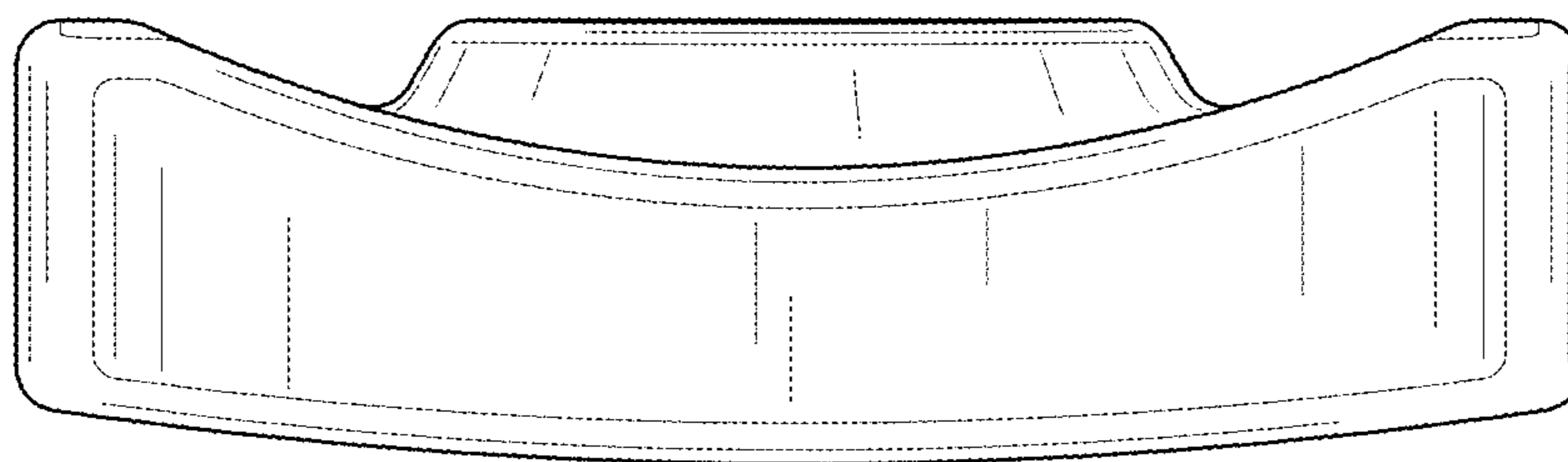


FIG. 7

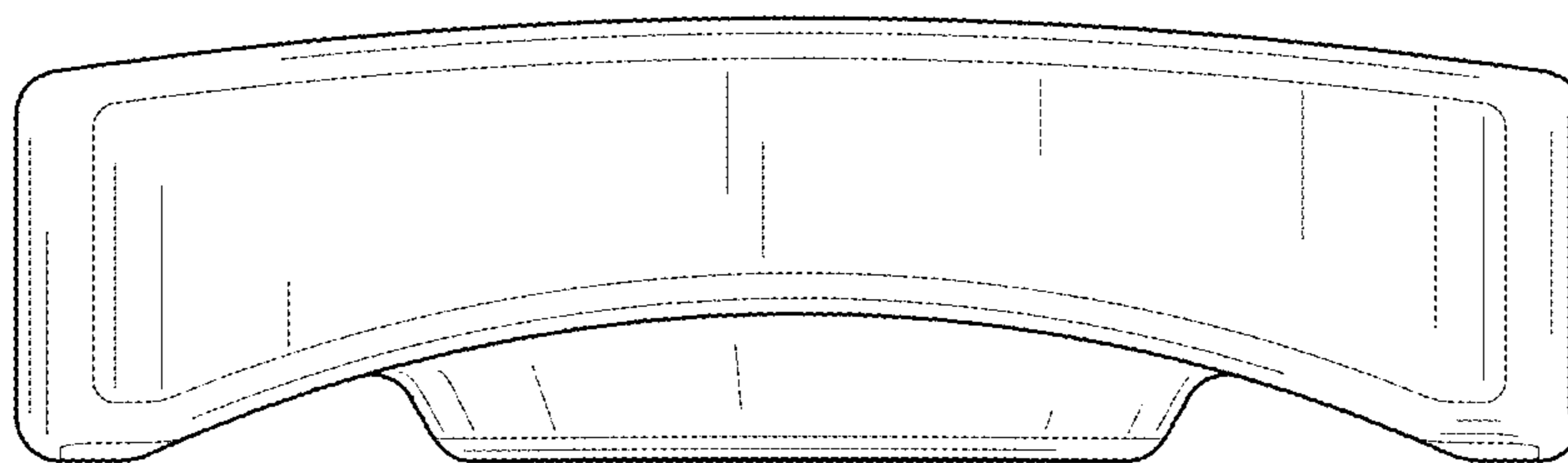


FIG. 8