



US00D773114S

(12) **United States Design Patent** (10) **Patent No.:** **US D773,114 S**
Leidel et al. (45) **Date of Patent:** **** Nov. 29, 2016**

(54) **PERSONAL VAPORIZER**
(71) Applicant: **The Hand Media, Inc.**, Miami, FL (US)
(72) Inventors: **Brandon Leidel**, Miami, FL (US); **Eduardo Rodriguez**, Miami, FL (US)
(**) Term: **15 Years**
(21) Appl. No.: **29/560,986**
(22) Filed: **Apr. 12, 2016**
(51) **LOC (10) Cl.** **27-02**
(52) **U.S. Cl.**
USPC **D27/163**
(58) **Field of Classification Search**
USPC D3/203.1, 203.6; D9/432; D13/118, D13/119; D27/100, 139, 141, 142, 143, D27/144, 162, 163, 164, 167, 172-193, 194
CPC A24F 47/00; A24F 47/008; H05B 3/03; A61M 16/108; A61M 16/10
See application file for complete search history.

2002/0005207 A1* 1/2002 Wrenn A24C 5/478 131/194
2009/0283103 A1* 11/2009 Nielsen A24F 1/30 131/273
2010/0163063 A1* 7/2010 Fernando A24F 47/008 131/184.1
2010/0313901 A1* 12/2010 Fernando A24F 47/008 131/330

(Continued)

Primary Examiner — Robert M Spear
Assistant Examiner — Marissa J Cash
(74) *Attorney, Agent, or Firm* — Christopher J. VanDam, PA; Chris Vandam

(57) **CLAIM**
The ornamental design for a personal vaporizer, as shown and described.

DESCRIPTION

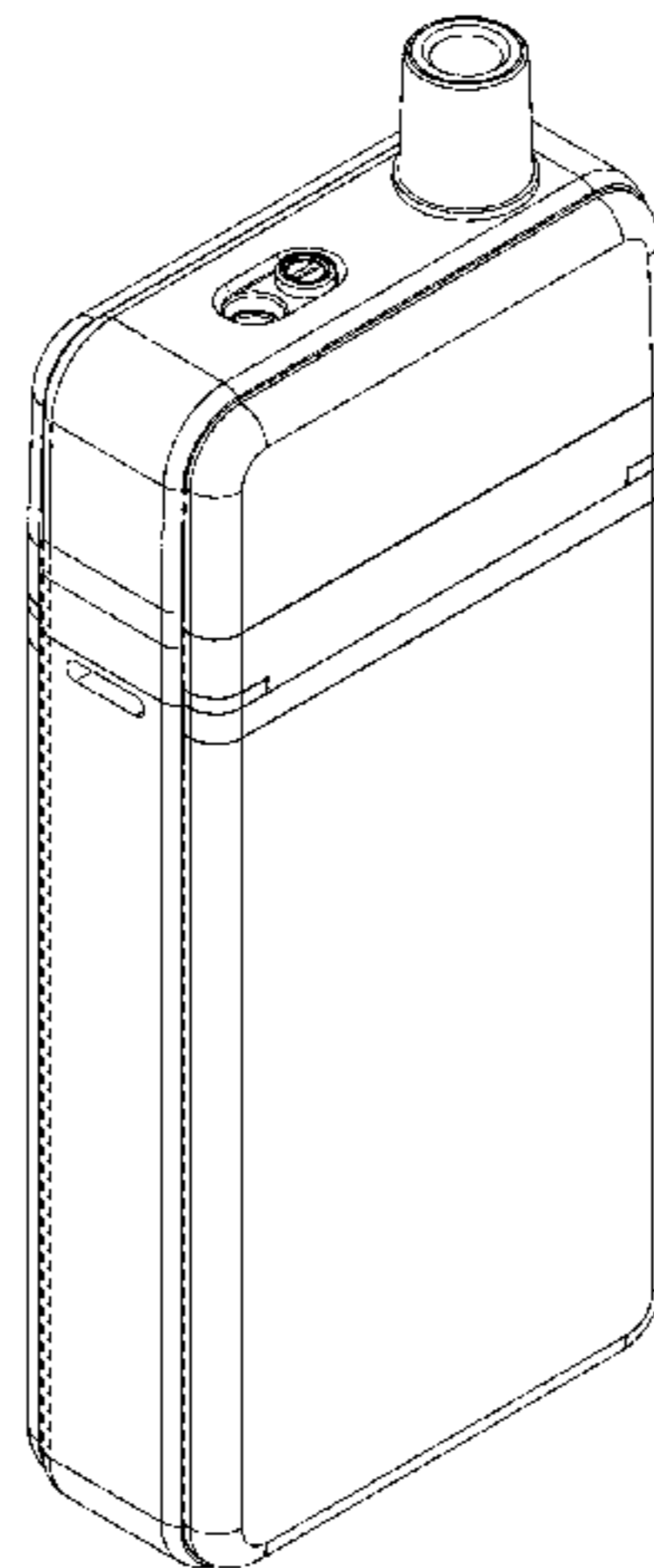
FIG. 1 shows a perspective view of a personal vaporizer. FIG. 2 shows an elevation view of the personal vaporizer. FIG. 3 shows an elevation view of the personal vaporizer. FIG. 4 shows an elevation view of the personal vaporizer. FIG. 5 shows a plan view of the personal vaporizer. FIG. 6 shows a plan view of the personal vaporizer. FIG. 7 shows a perspective view of the personal vaporizer. FIG. 8 shows a perspective view of the personal vaporizer. FIG. 9 shows an exploded perspective view of the personal vaporizer. FIG. 10 shows an exploded elevation view of the personal vaporizer. FIG. 11 shows an exploded elevation view of the personal vaporizer. FIG. 12 shows an exploded perspective view of the personal vaporizer. FIG. 13 shows an exploded perspective view of the personal vaporizer; and, FIG. 14 shows an exploded perspective view of the personal vaporizer. The broken lines in the drawings represent unclaimed environmental subject matter and form no part of the claim.

(56) **References Cited**

U.S. PATENT DOCUMENTS

D346,878 S * 5/1994 Gee D27/194
D368,552 S * 4/1996 Adams D27/194
5,934,289 A * 8/1999 Watkins A24F 47/008 128/202.21
D433,532 S * 11/2000 Higgins D27/186
6,615,840 B1 * 9/2003 Fournier A24F 47/008 131/194
D547,440 S * 7/2007 Louet-Feisser D24/110
D547,859 S * 7/2007 Choi D24/113
D577,150 S 9/2008 Bryman
D647,247 S 10/2011 Jones
D649,708 S 11/2011 Oneil
D690,002 S 9/2013 Storey
D724,263 S 3/2015 Malhi
D728,855 S * 5/2015 Liu D27/163
D729,444 S 5/2015 Leidel
D730,572 S 5/2015 Leidel
D733,356 S 6/2015 Leidel
D742,062 S * 10/2015 Almsberger D27/143
D743,099 S 11/2015 Oglesby
D748,325 S * 1/2016 Leidel D27/163
D753,336 S * 4/2016 Chen D27/101
D758,656 S * 6/2016 Freshwater D27/163

1 Claim, 14 Drawing Sheets



US D773,114 S

Page 2

(56)

References Cited

U.S. PATENT DOCUMENTS

2014/0217085 A1*	8/2014	Alima	F23Q 7/16 219/474
2015/0053217 A1*	2/2015	Steingraber	A24F 47/008 131/329
2014/0014125 A1*	1/2014	Fernando	A24F 47/008 131/328

* cited by examiner

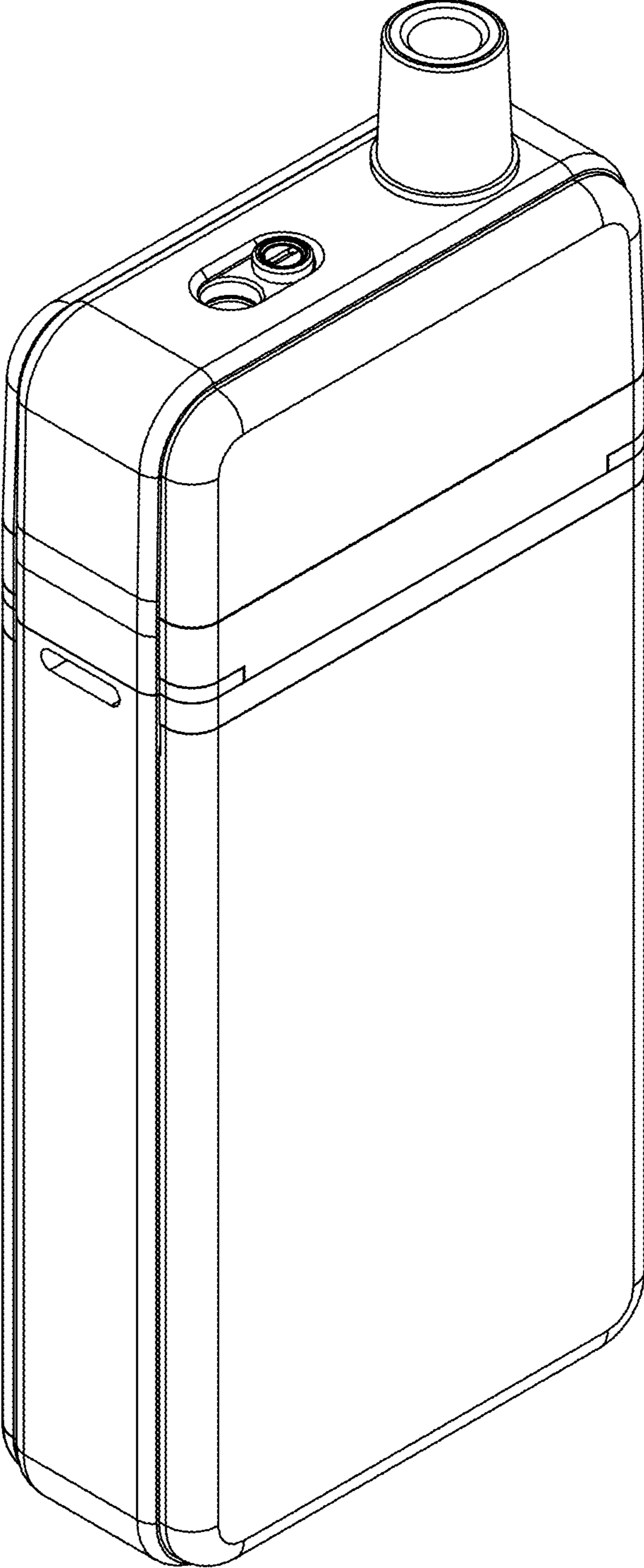


Figure 1

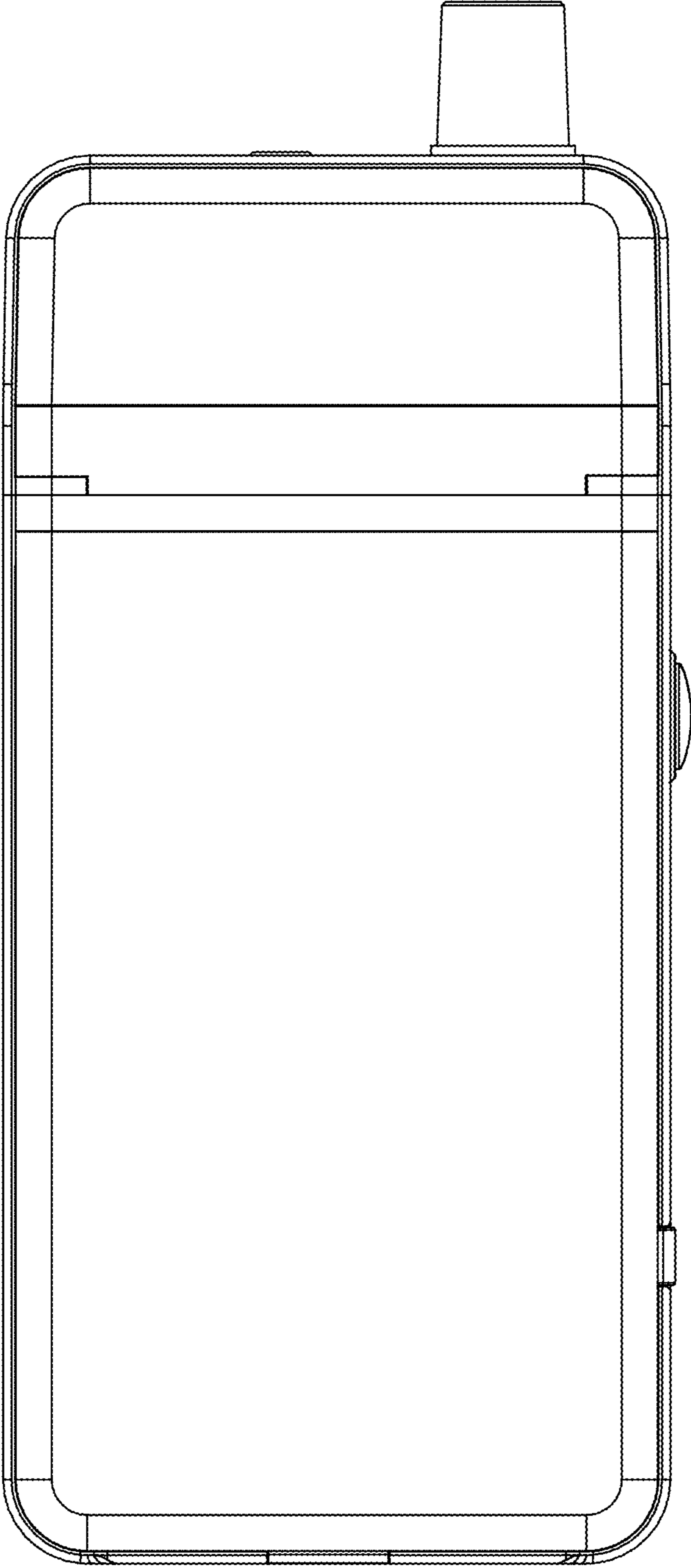


Figure 2

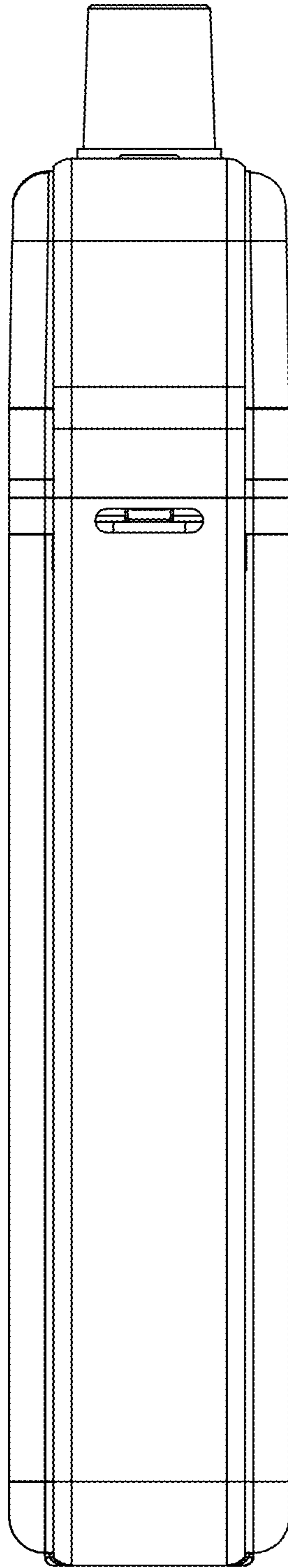


Figure 3

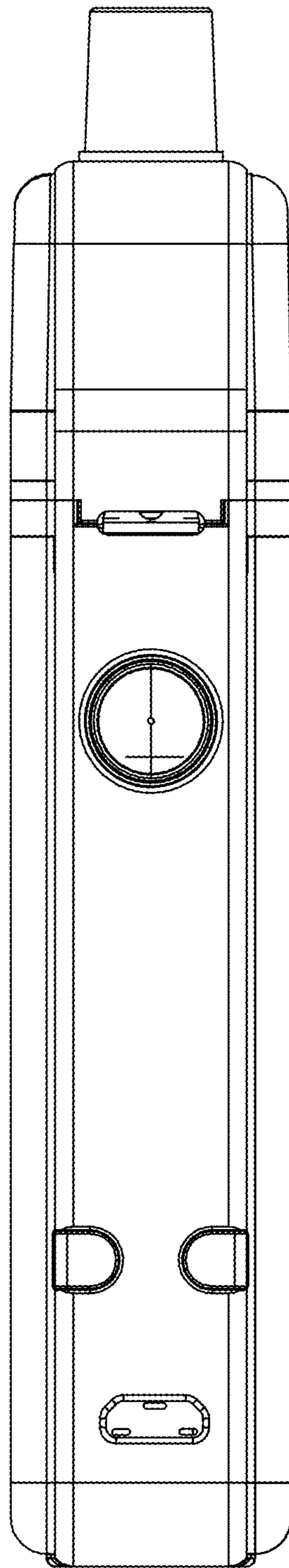


Figure 4

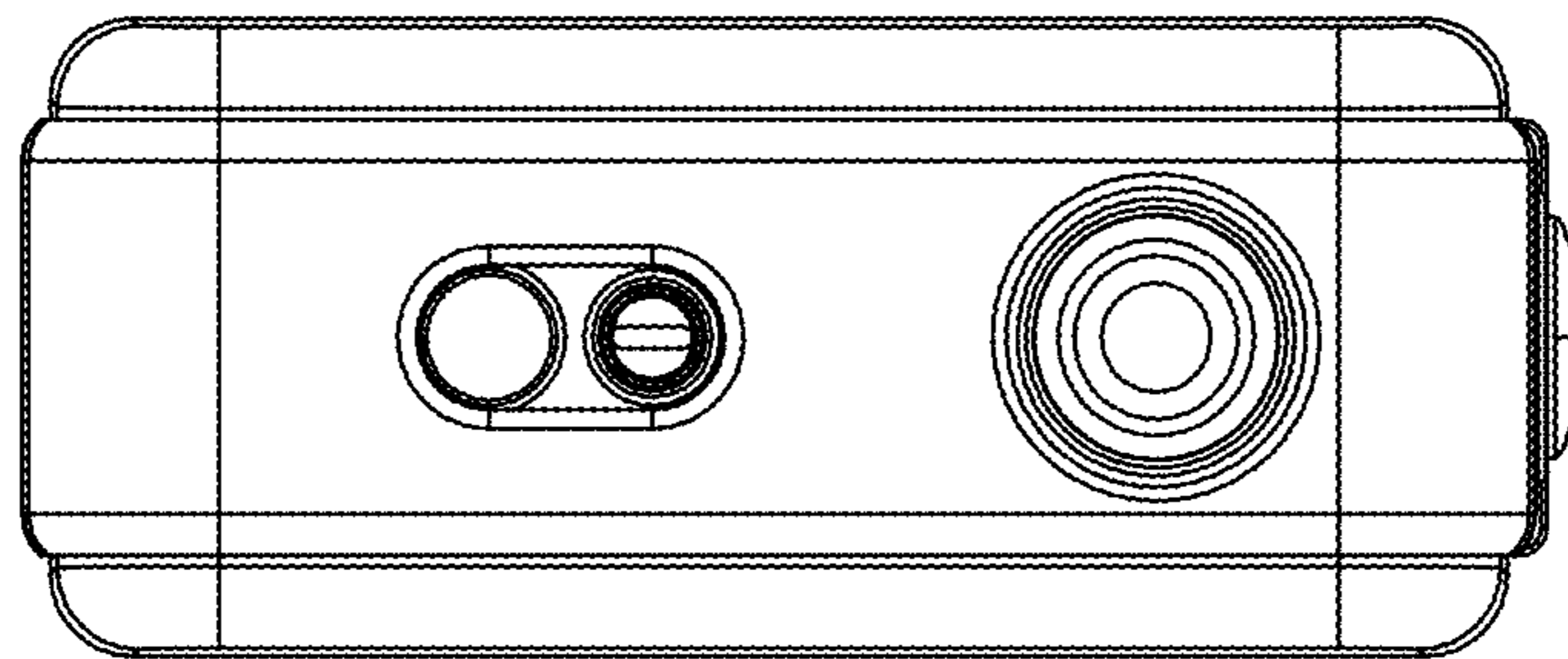


Figure 5

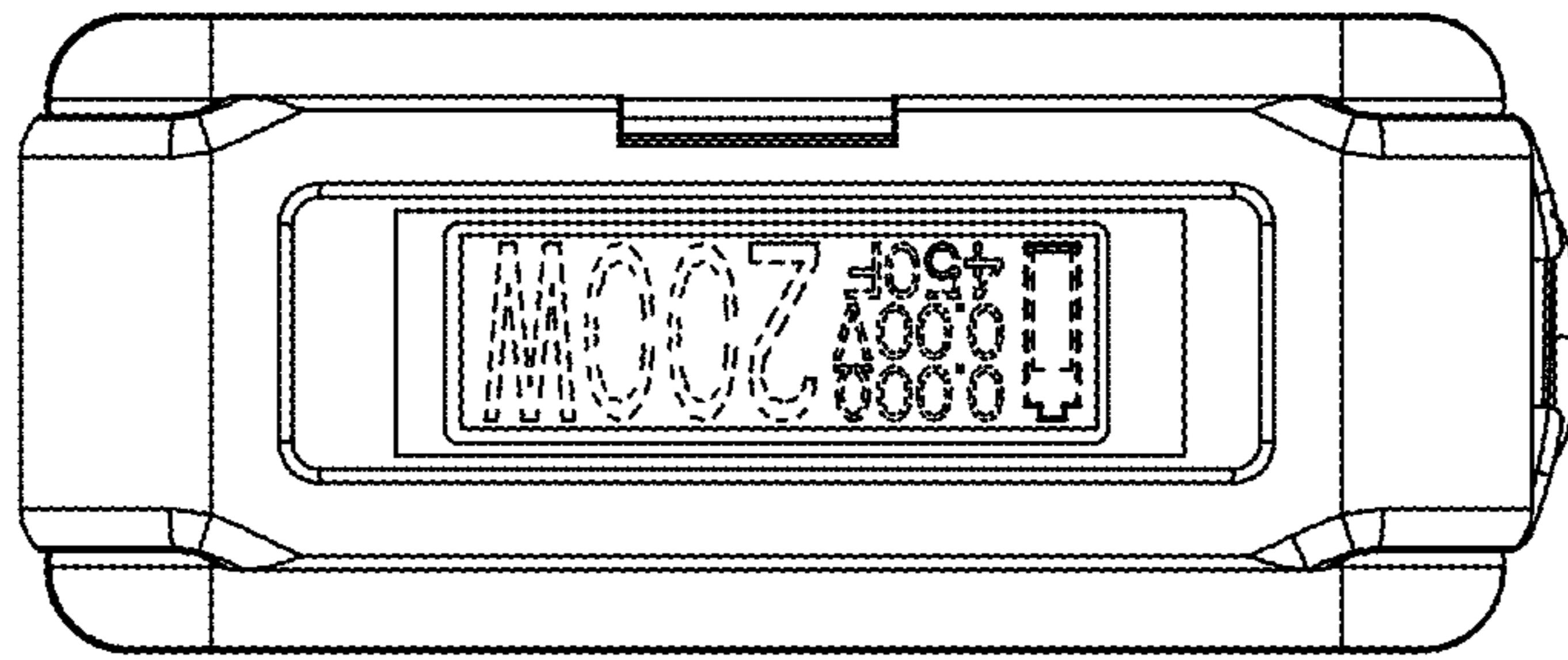


Figure 6

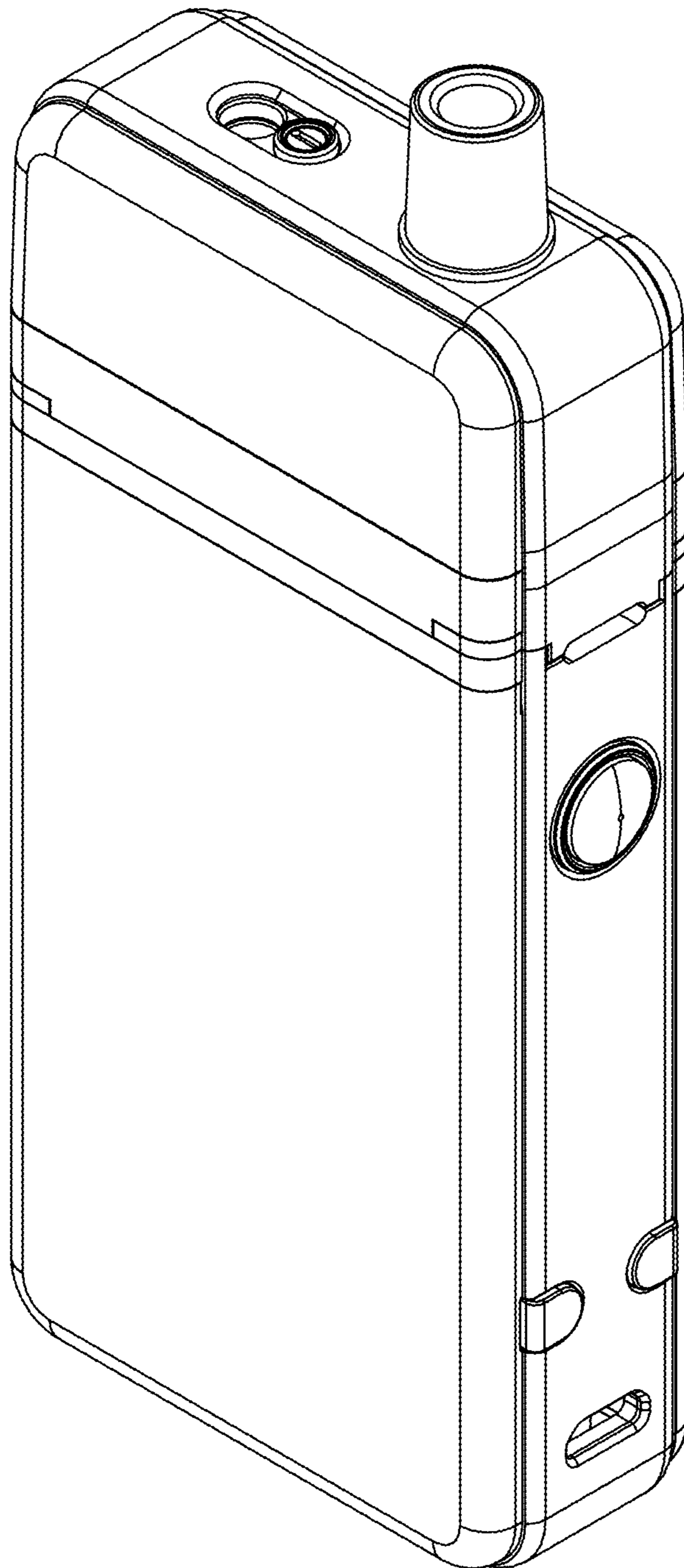


Figure 7

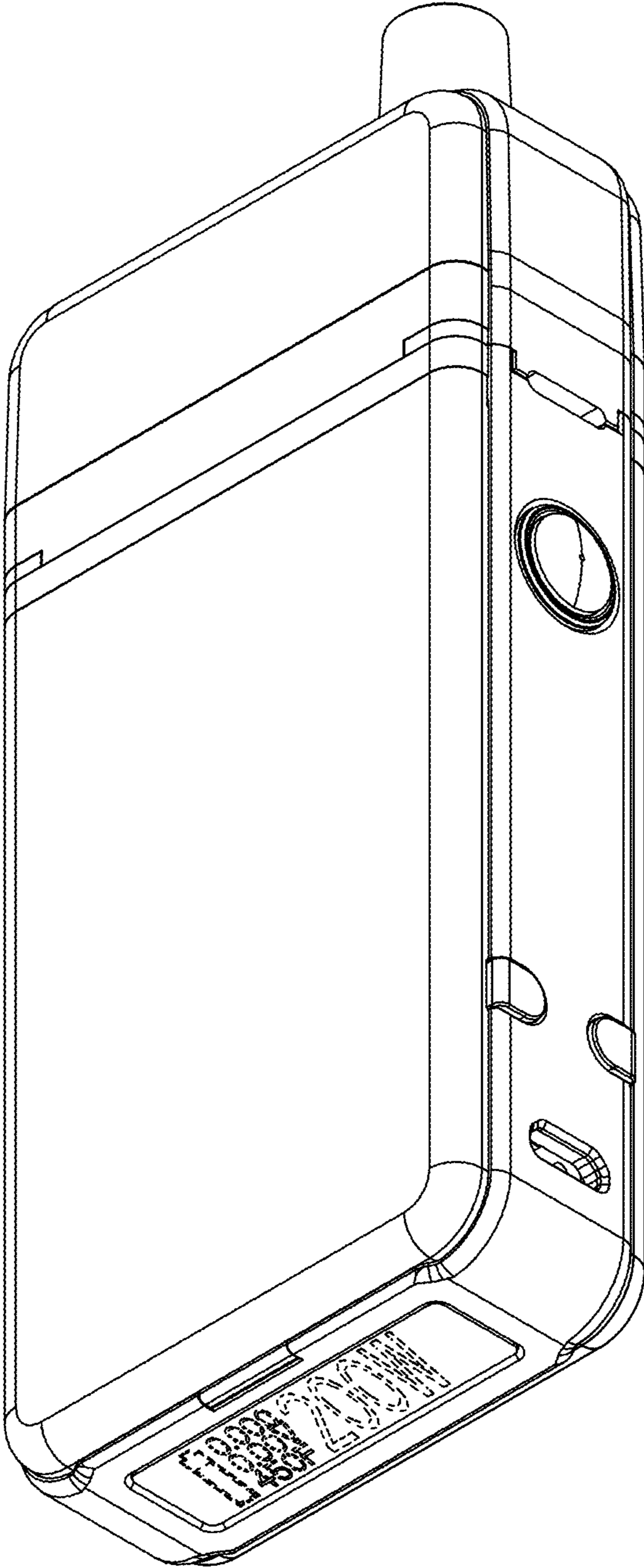


Figure 8

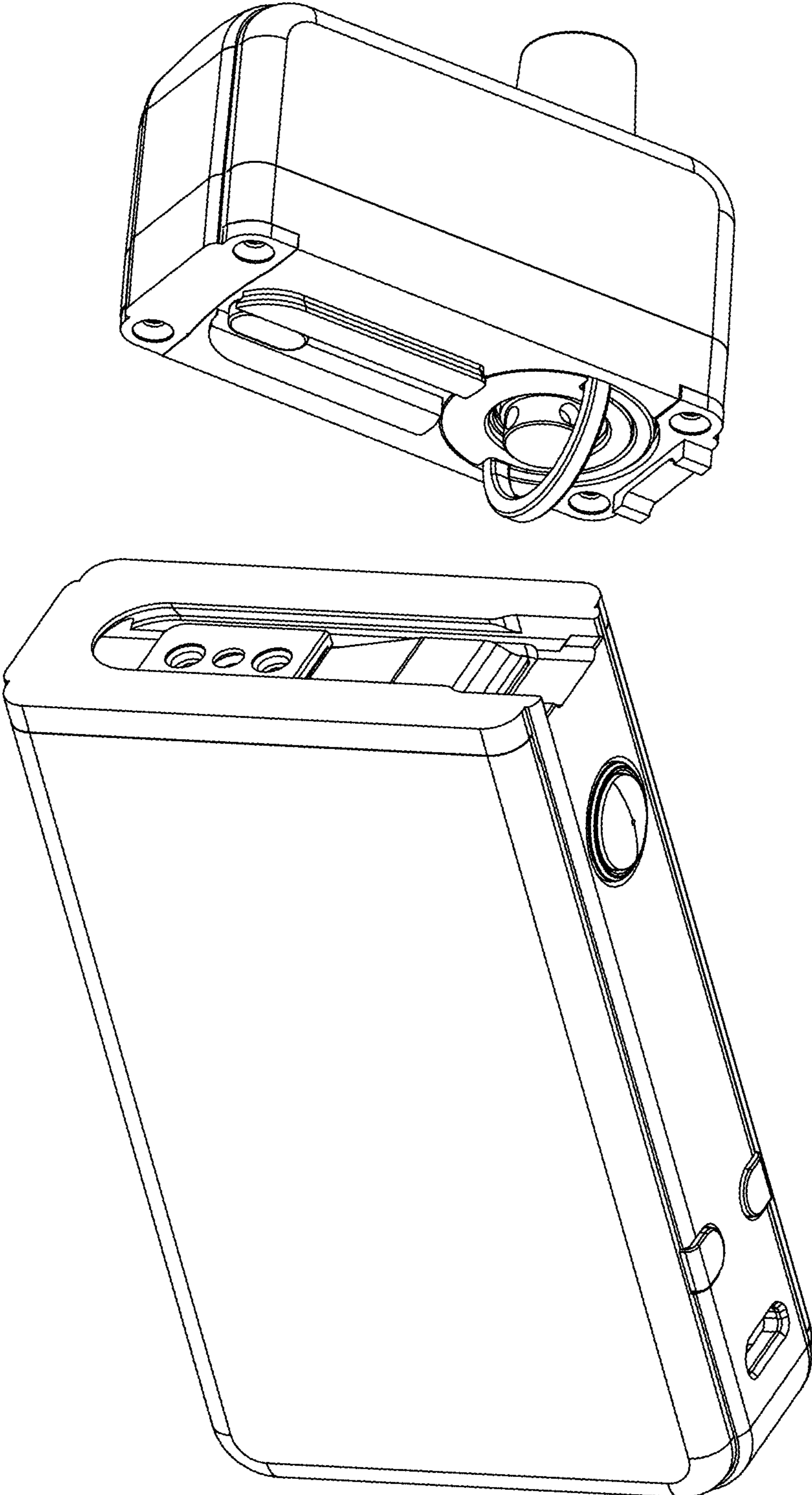


Figure 9

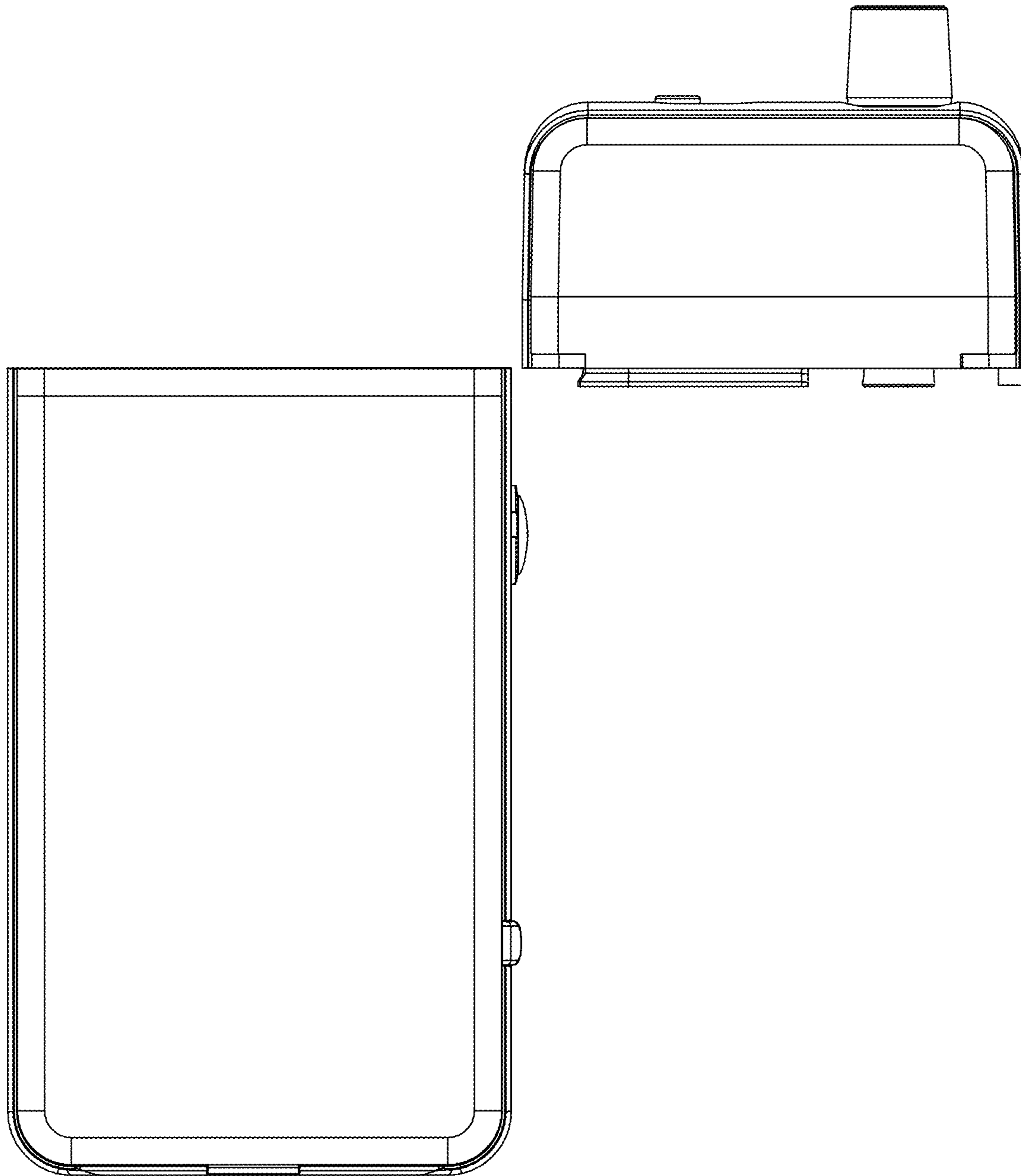


Figure 10

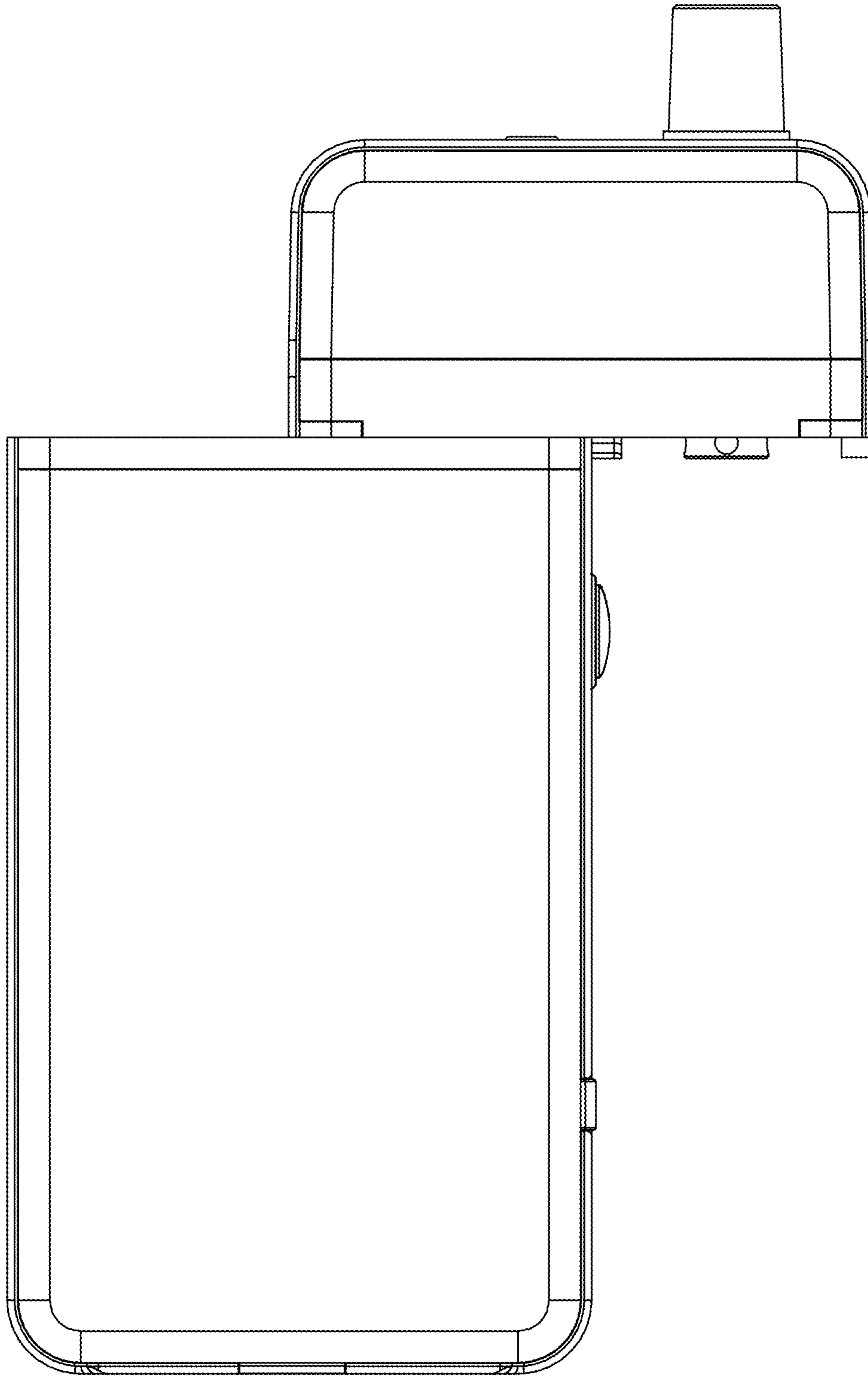


Figure 11

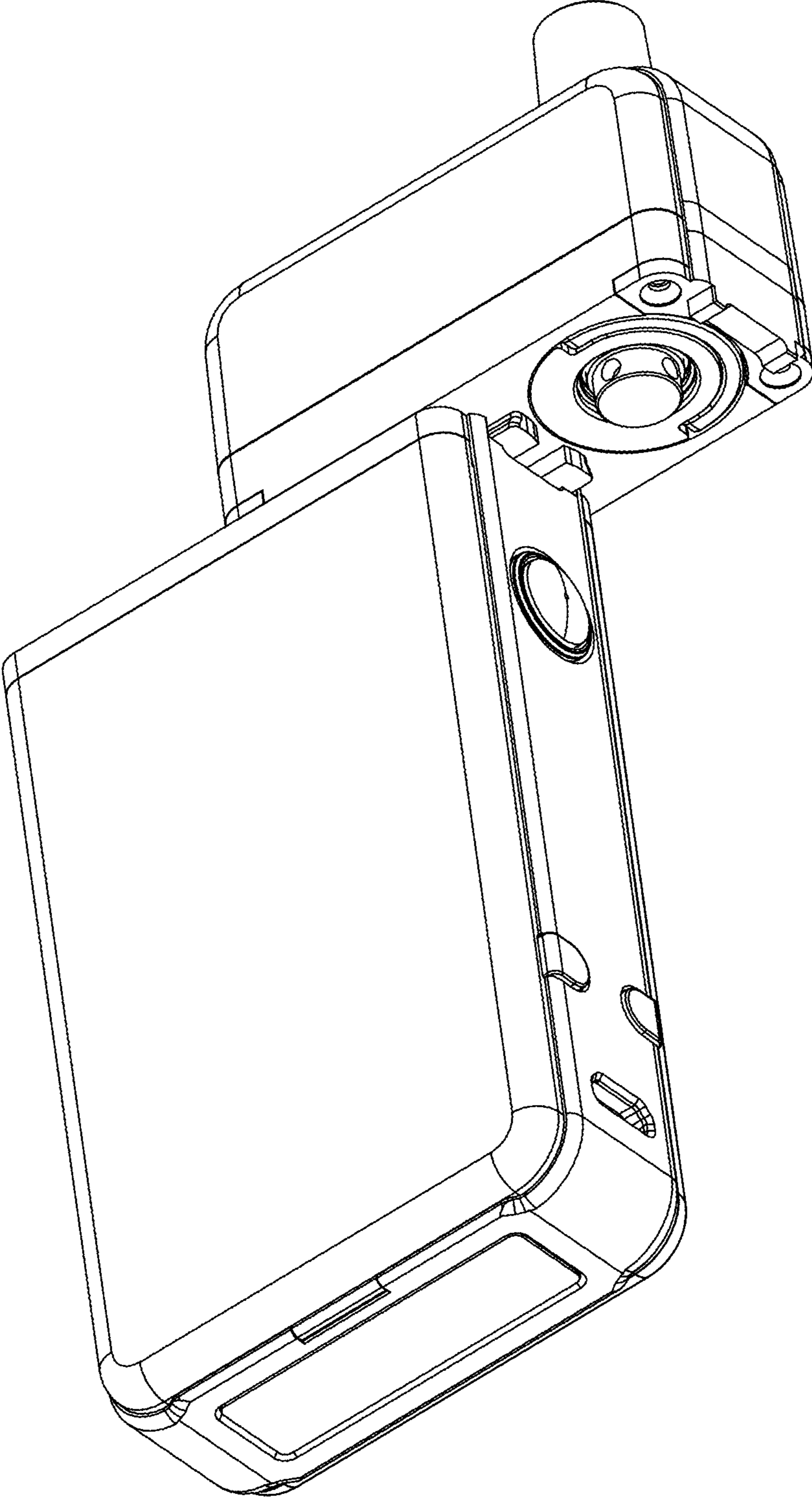


Figure 12

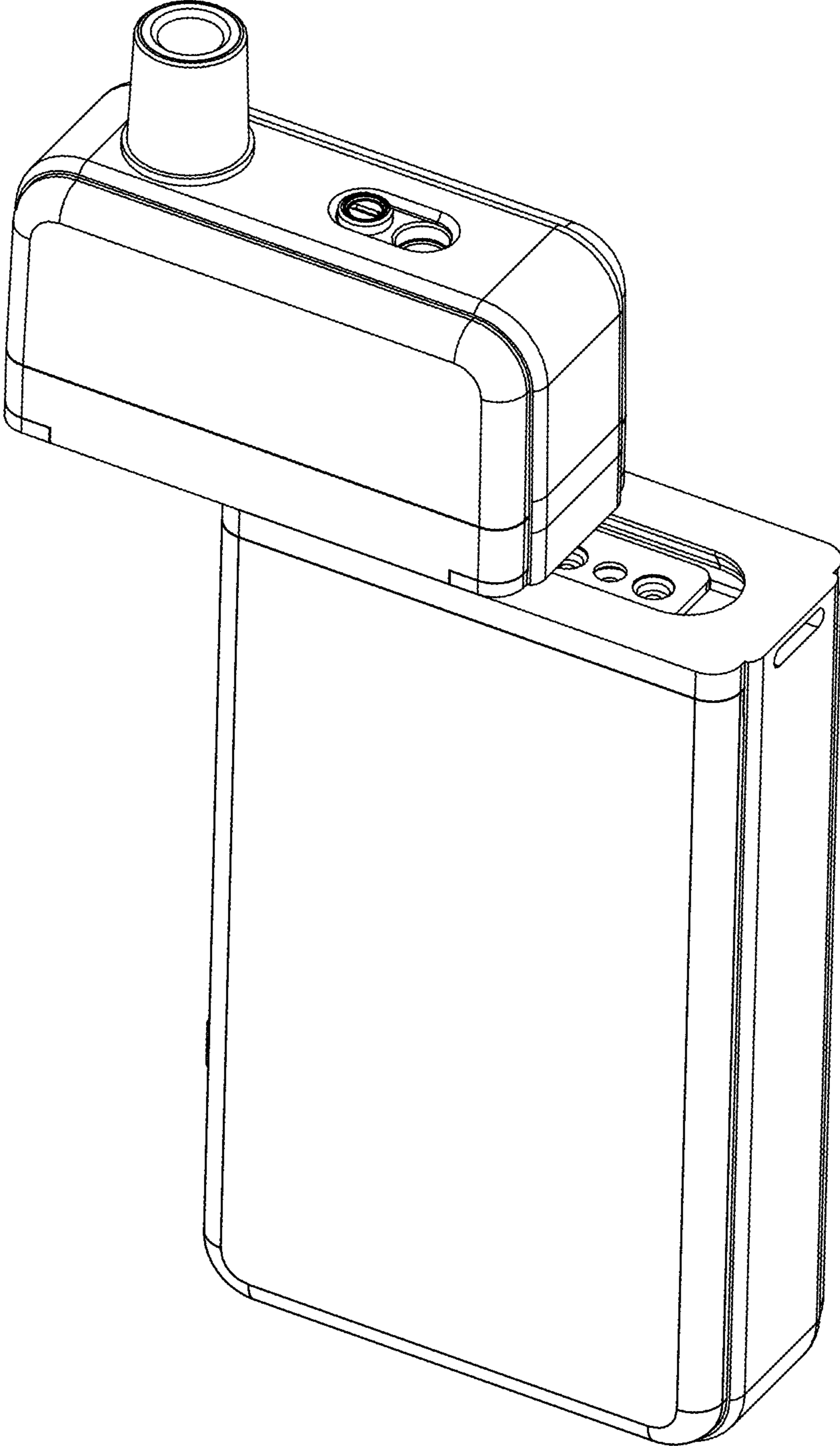


Figure 13

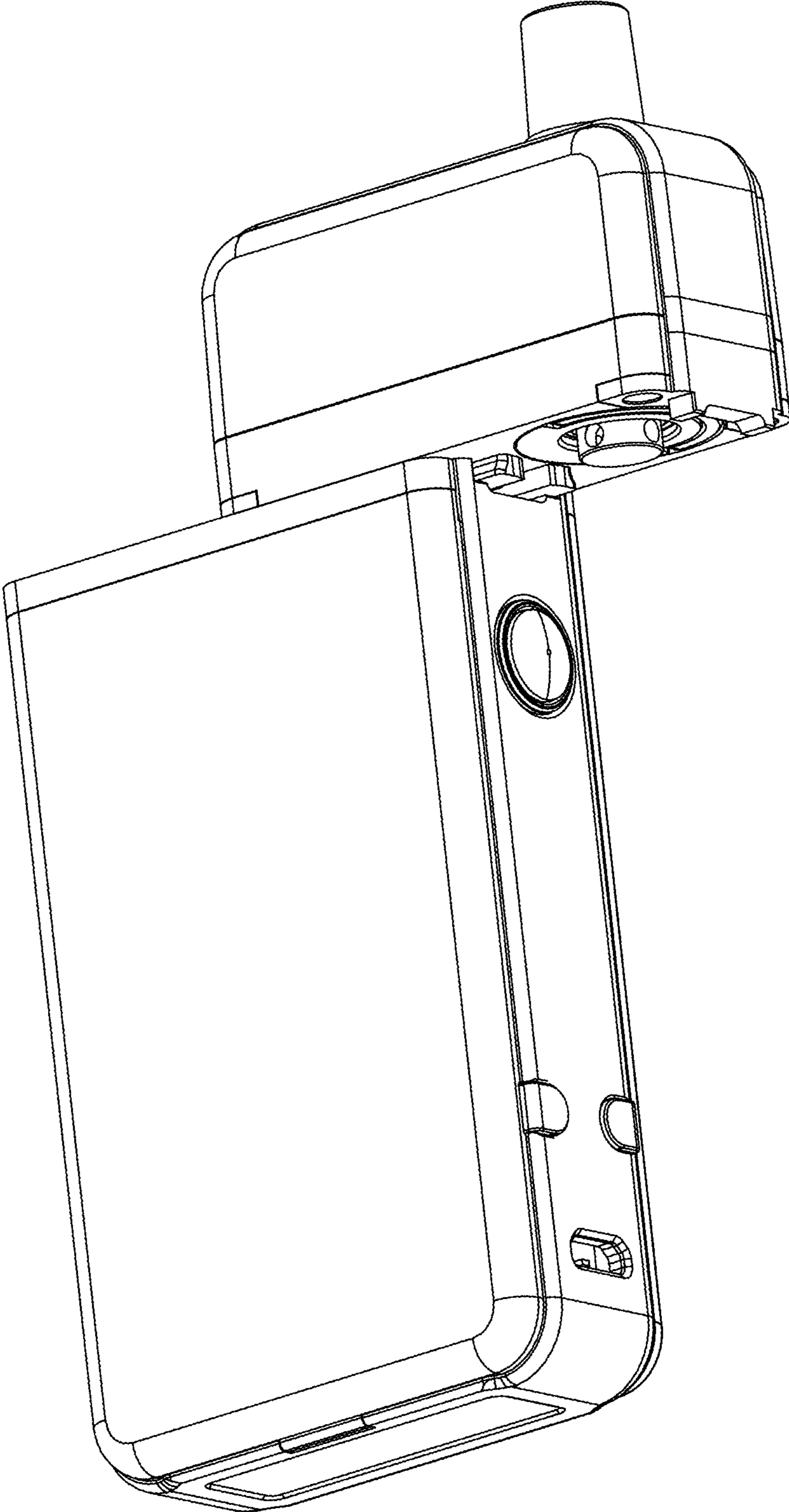


Figure 14