



US00D773112S

(12) **United States Design Patent** (10) **Patent No.:** **US D773,112 S**
Dir (45) **Date of Patent:** **** Nov. 29, 2016**

(54) **RATCHETING COUPLING FOR A SWIVELABLE LIGHT MOUNTING SYSTEM**

(71) Applicant: **Archangel Device LLC**, Milwaukee, WI (US)

(72) Inventor: **Ronald R. Dir**, Sturtevant, WI (US)

(73) Assignee: **Archangel Device LLC**, Milwaukee, WI (US)

(**) Term: **14 Years**

(21) Appl. No.: **29/509,963**

(22) Filed: **Nov. 24, 2014**

(51) **LOC (10) Cl.** **26-99**

(52) **U.S. Cl.**
USPC **D26/138**

(58) **Field of Classification Search**
USPC D16/134, 136, 200, 202-205, 208, D16/217-219; D26/1, 24, 61, 63, 113, 138
CPC G03B 17/02; G03B 19/04; G03B 17/56; G03B 17/04; G03B 15/03; G03B 17/14; H04N 5/2251; H04N 5/2252; H04N 5/2253; H04N 5/2254; G02B 7/02; G02B 7/04; G02B 7/14

See application file for complete search history.

(56) **References Cited**

U.S. PATENT DOCUMENTS

8,002,483 B2 *	8/2011	Fujiwara	G03B 17/14 359/819
D705,841 S *	5/2014	Hasuda	D16/134
D745,591 S *	12/2015	Oh	D16/136
D745,915 S *	12/2015	Ham	D16/219
D750,150 S *	2/2016	Cho	D16/219
D750,152 S *	2/2016	Awazu	D16/219
D756,441 S *	5/2016	Kobayashi	D16/134

* cited by examiner

Primary Examiner — Brian N Vinson

(74) *Attorney, Agent, or Firm* — Husch Blackwell LLP

(57) **CLAIM**

The ornamental design for a ratcheting coupling for a swivelable light mounting system, as shown and described.

DESCRIPTION

FIG. 1 is a perspective view of a ratcheting coupling for a swivelable light mounting system showing my new design, with the swivelable light mounting system illustrated in a closed position;

FIG. 2 is a perspective view thereof, with the swivelable light mounting system illustrated in an open position;

FIG. 3 is a front view thereof;

FIG. 4 is a rear view thereof;

FIG. 5 is a left side view thereof;

FIG. 6 is a right side view thereof;

FIG. 7 is a top view thereof;

FIG. 8 is a bottom view thereof;

FIG. 9 is another perspective view thereof;

FIG. 10 is another top view thereof;

FIG. 11 is another bottom view thereof;

FIG. 12 is another left side view thereof;

FIG. 13 is another rear view thereof;

FIG. 14 is a another right side view thereof;

FIG. 15 is a front view thereof;

FIG. 16 is yet another perspective view thereof;

FIG. 17 is yet another top view thereof;

FIG. 18 is yet another bottom view thereof;

FIG. 19 is yet another left side view thereof;

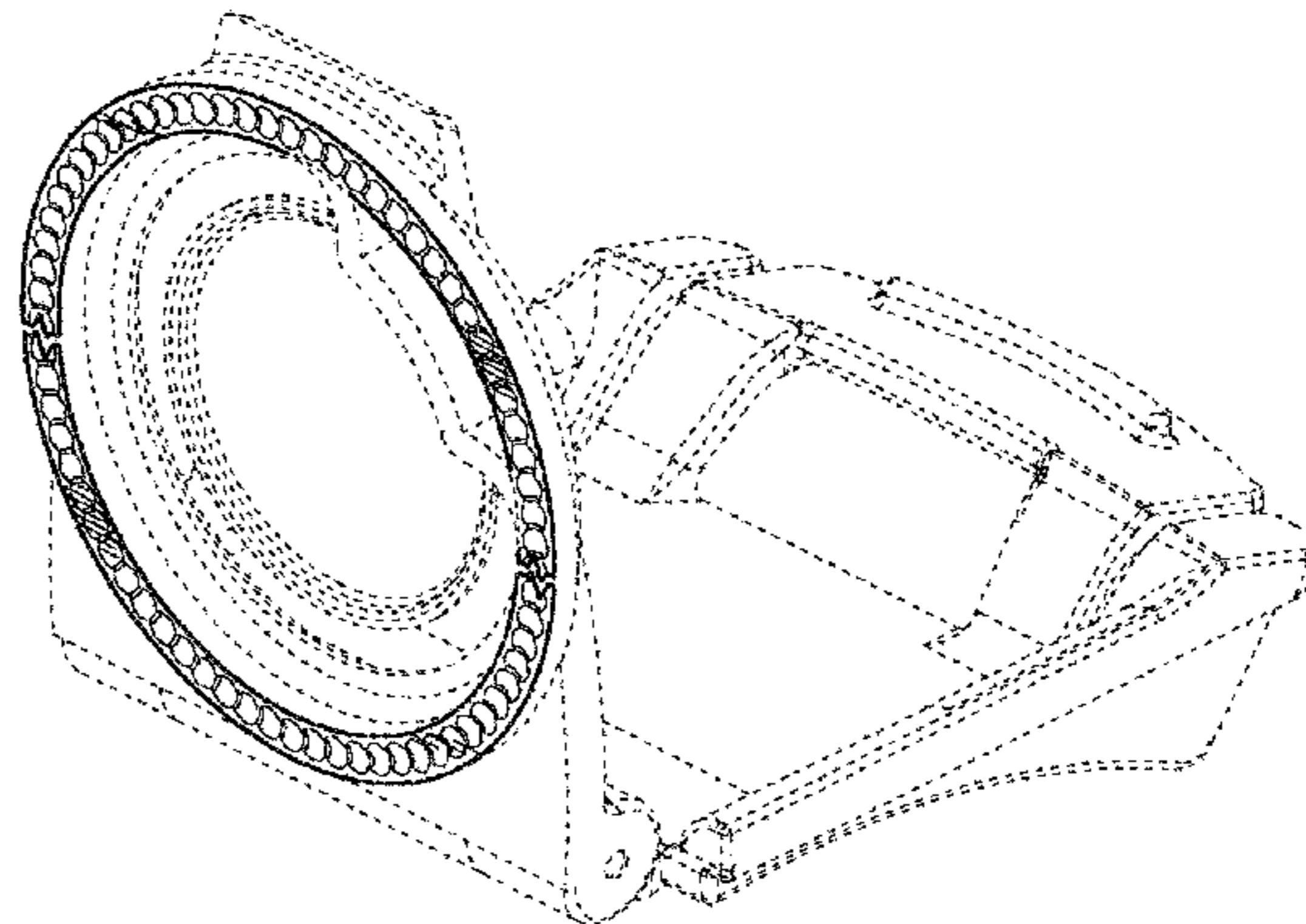
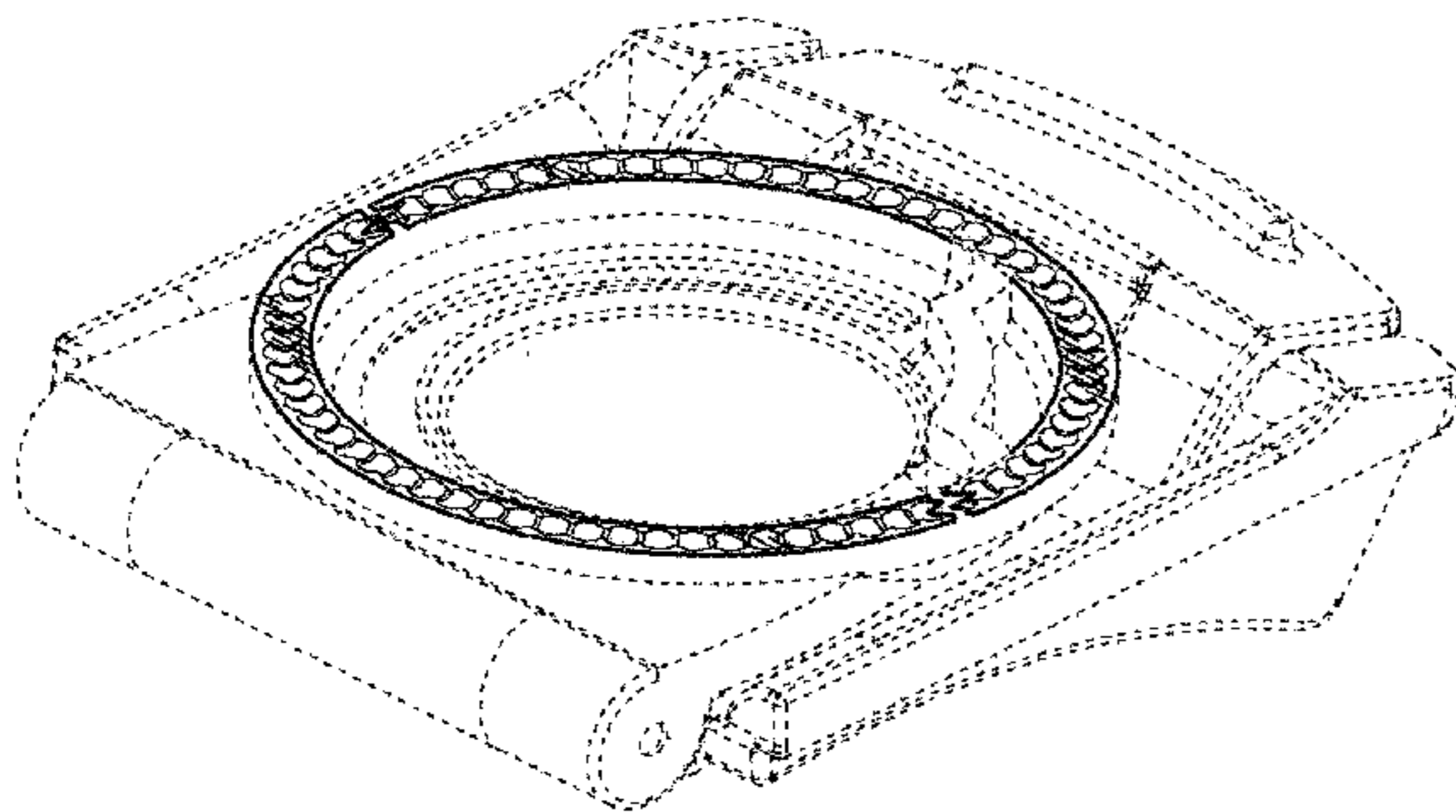
FIG. 20 is yet another front view thereof;

FIG. 21 is yet another right side view thereof; and,

FIG. 22 is yet another rear view thereof.

The broken lines shown in all figures show portions of the light mounting system which form no part of the claimed design.

1 Claim, 12 Drawing Sheets



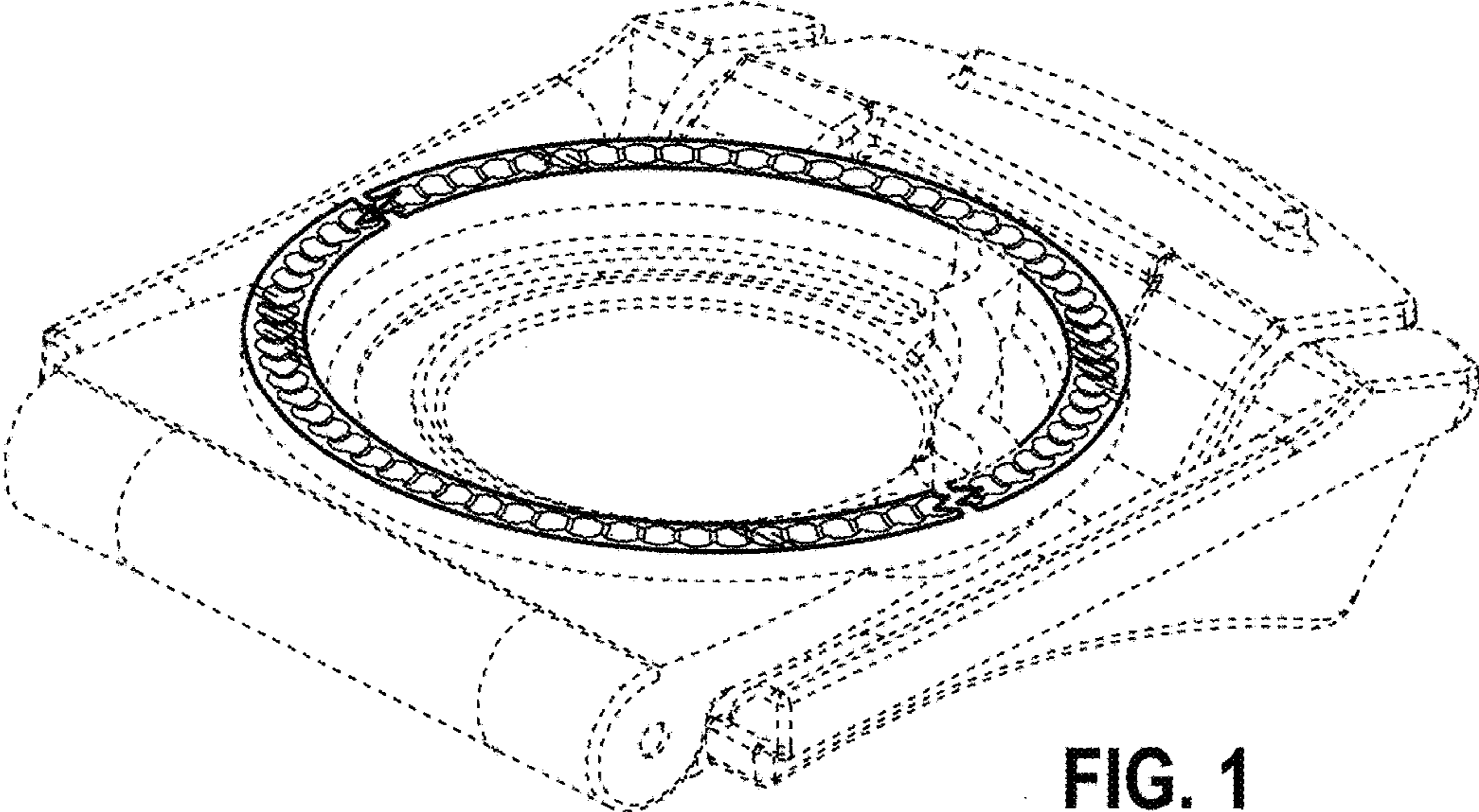


FIG. 1

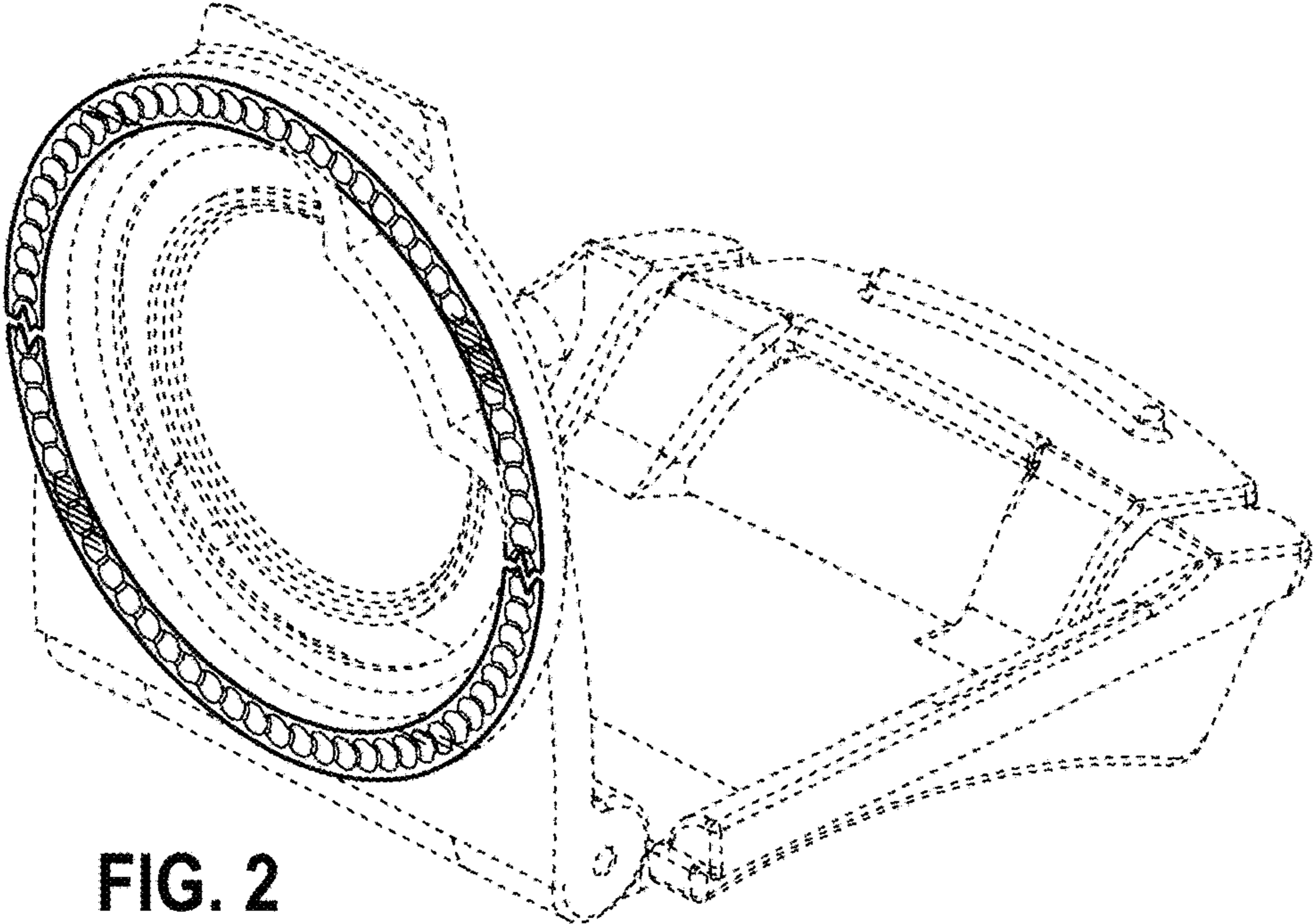
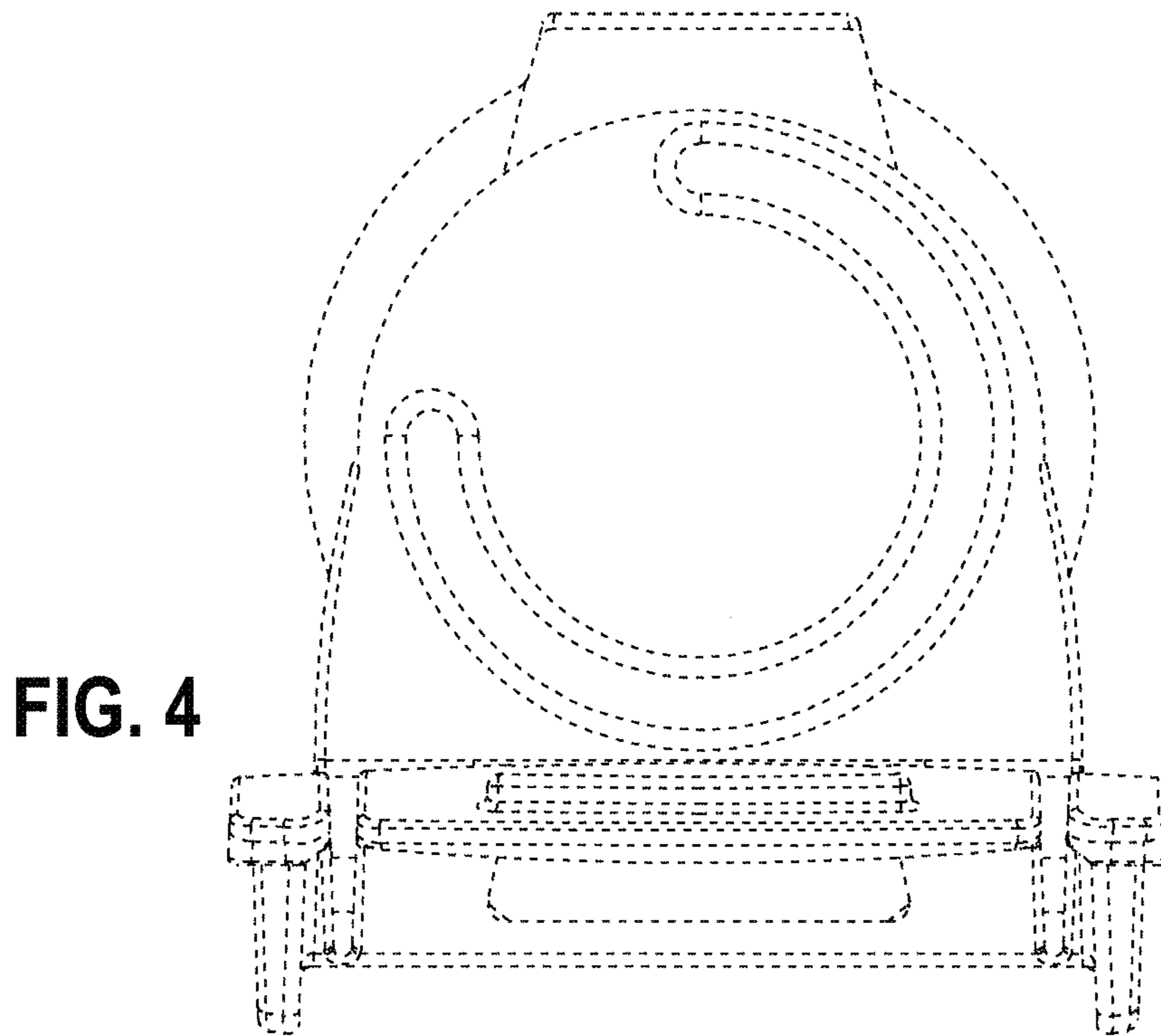
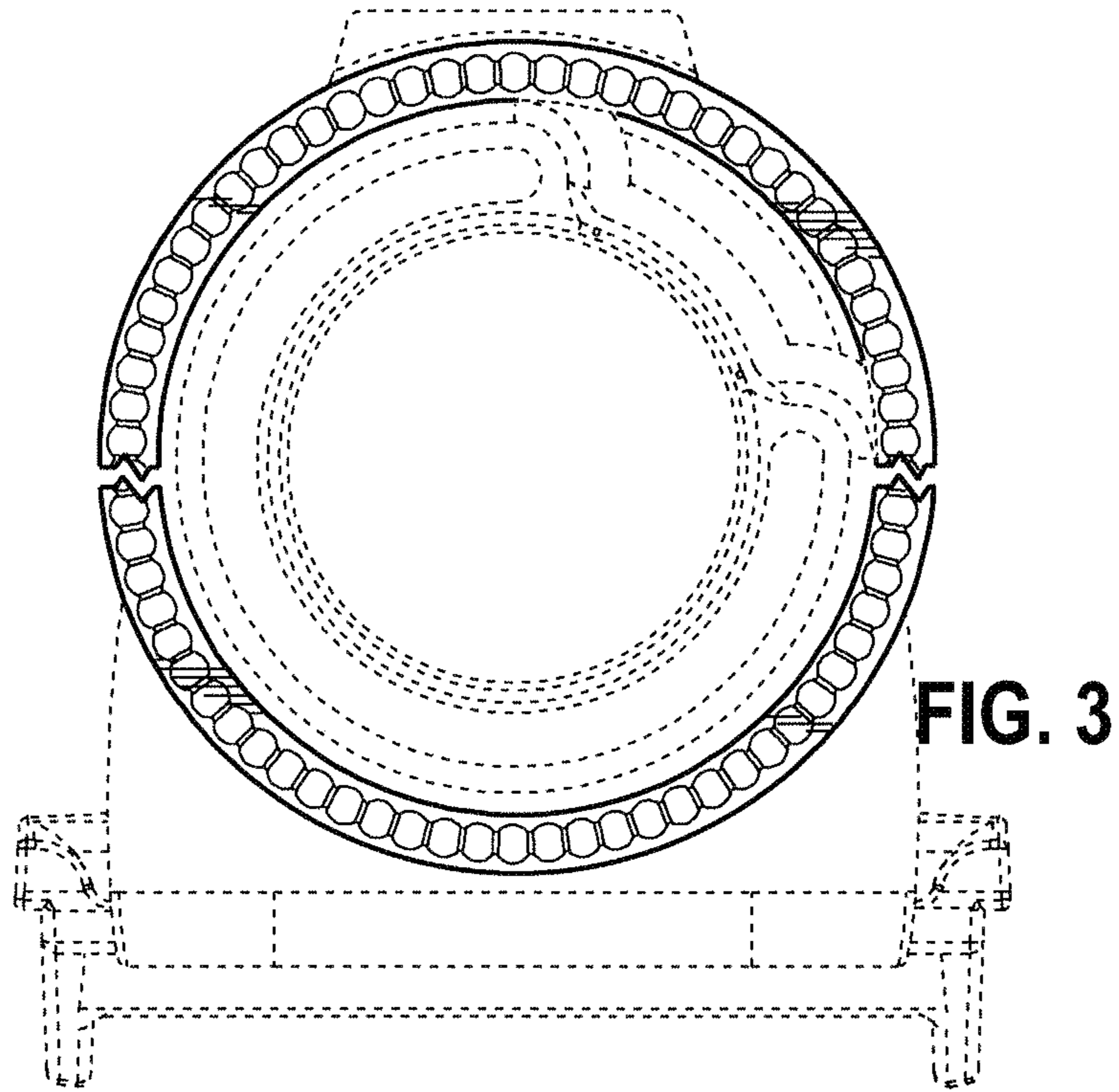


FIG. 2



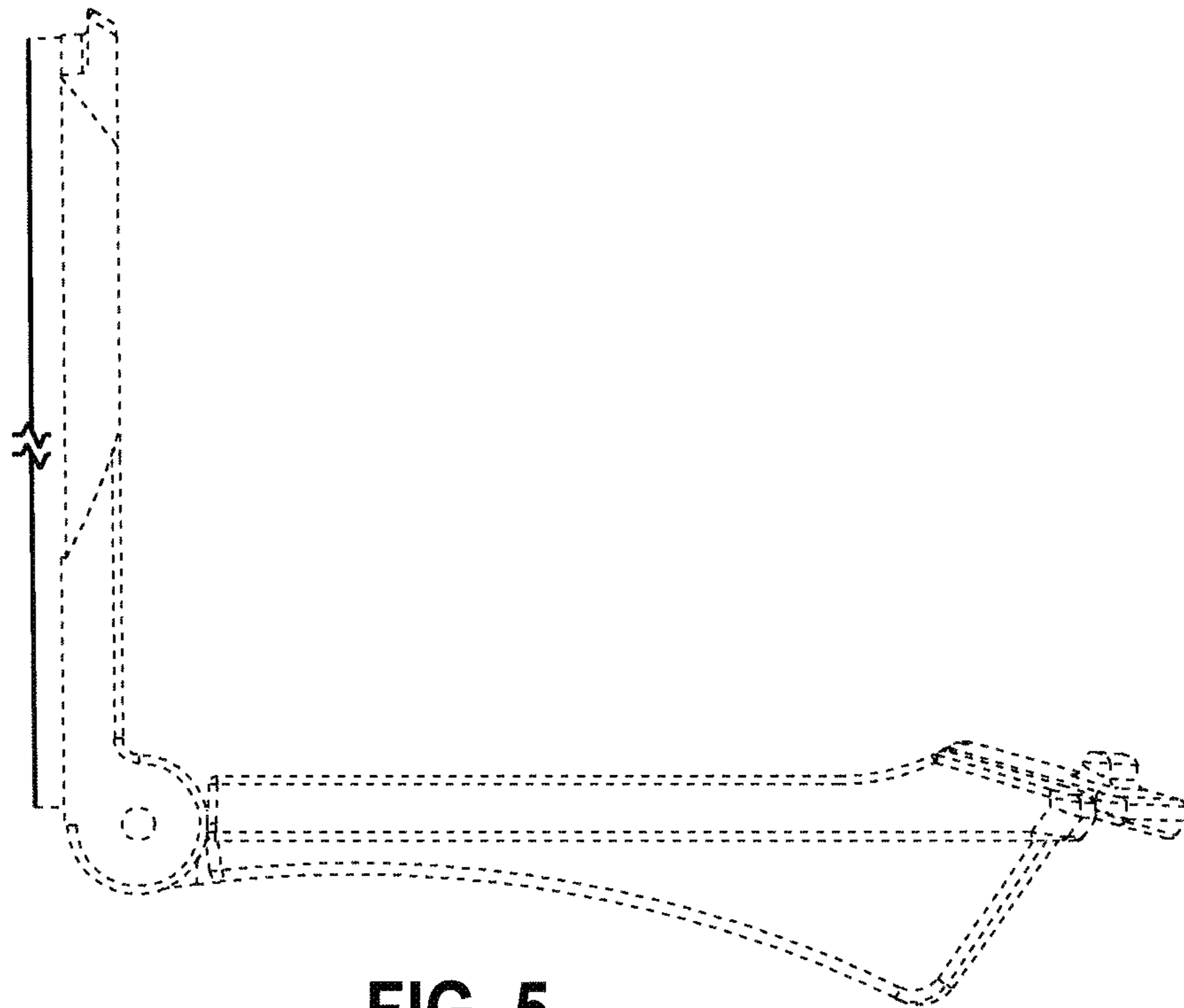


FIG. 5

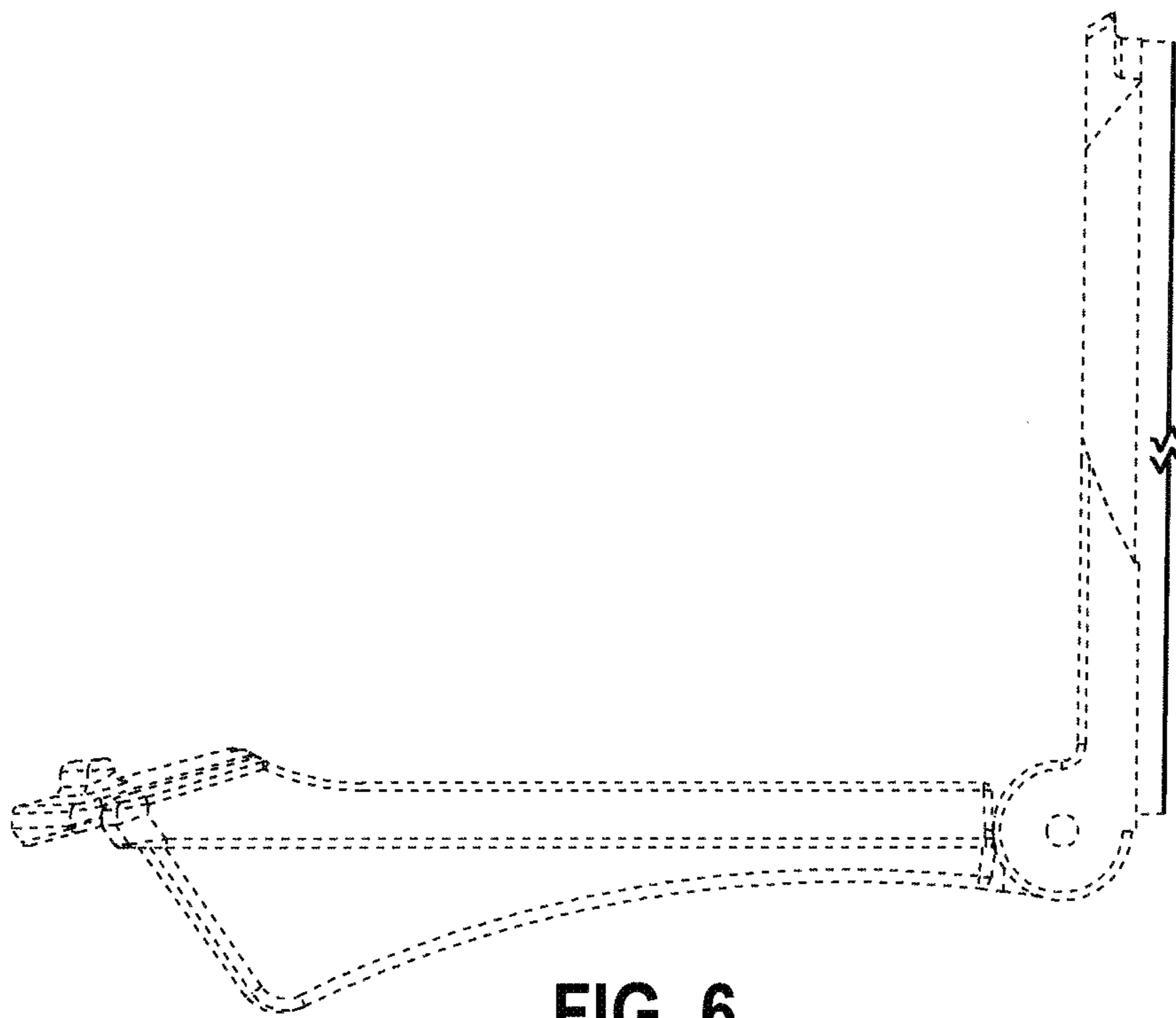


FIG. 6

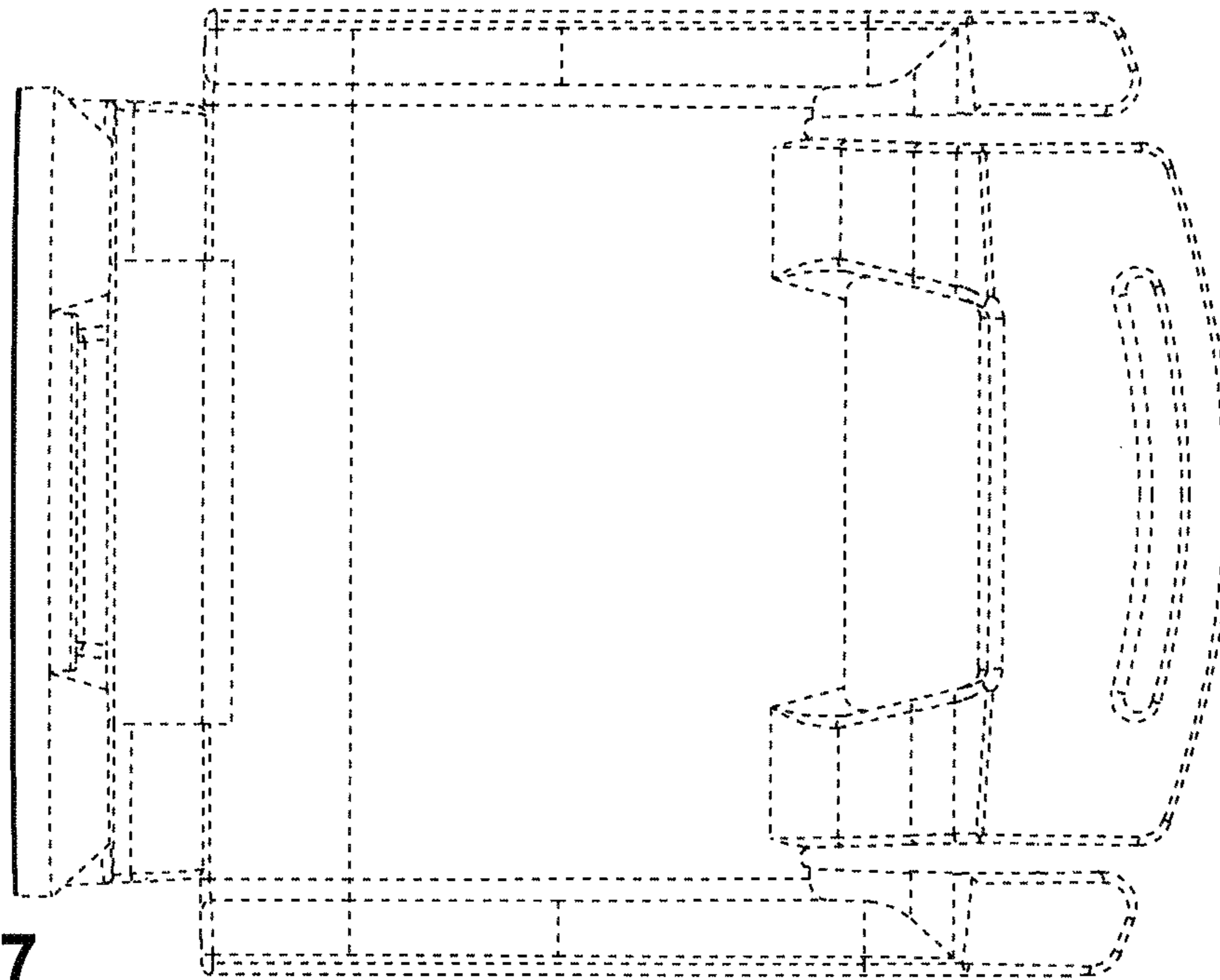


FIG. 7

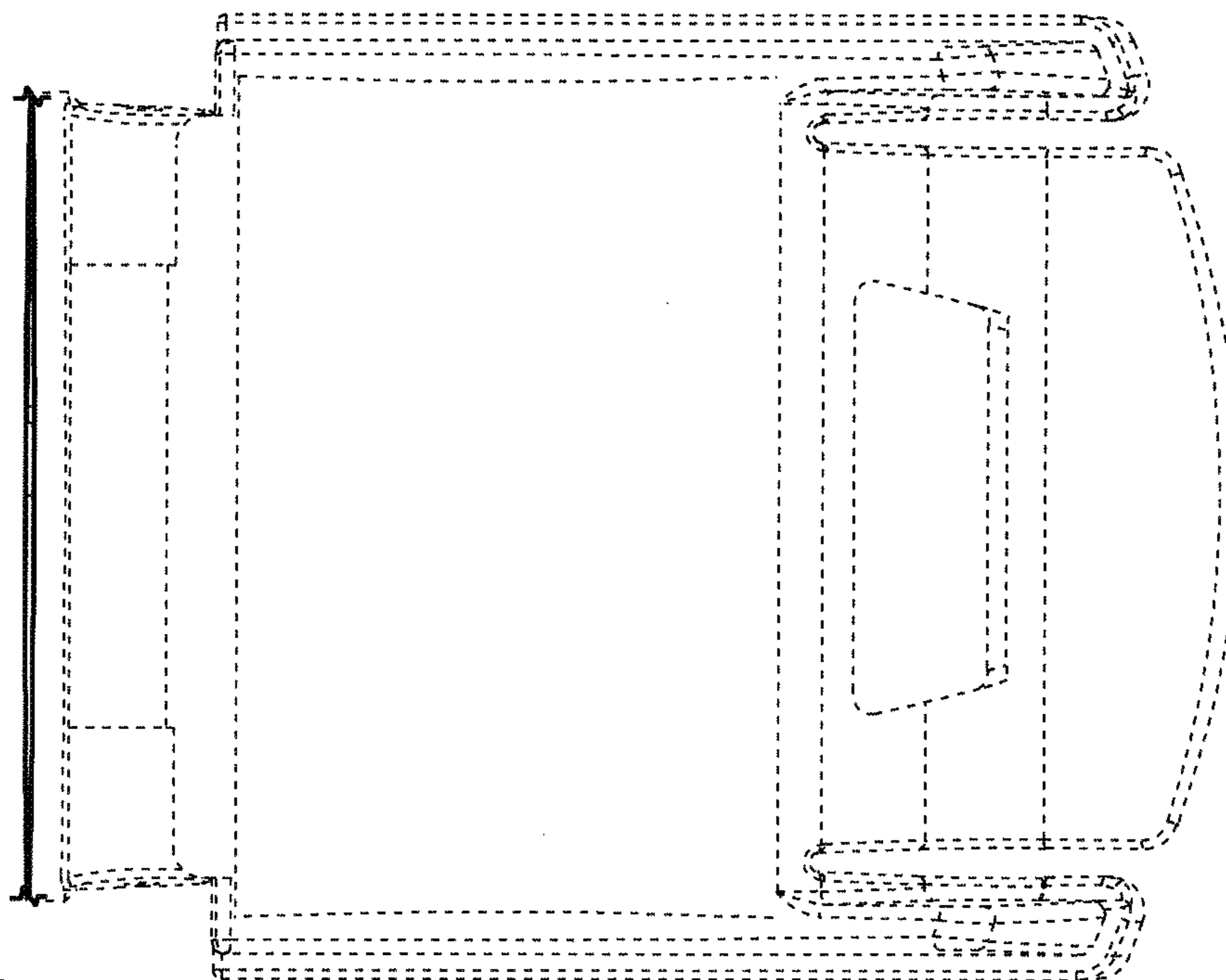


FIG. 8

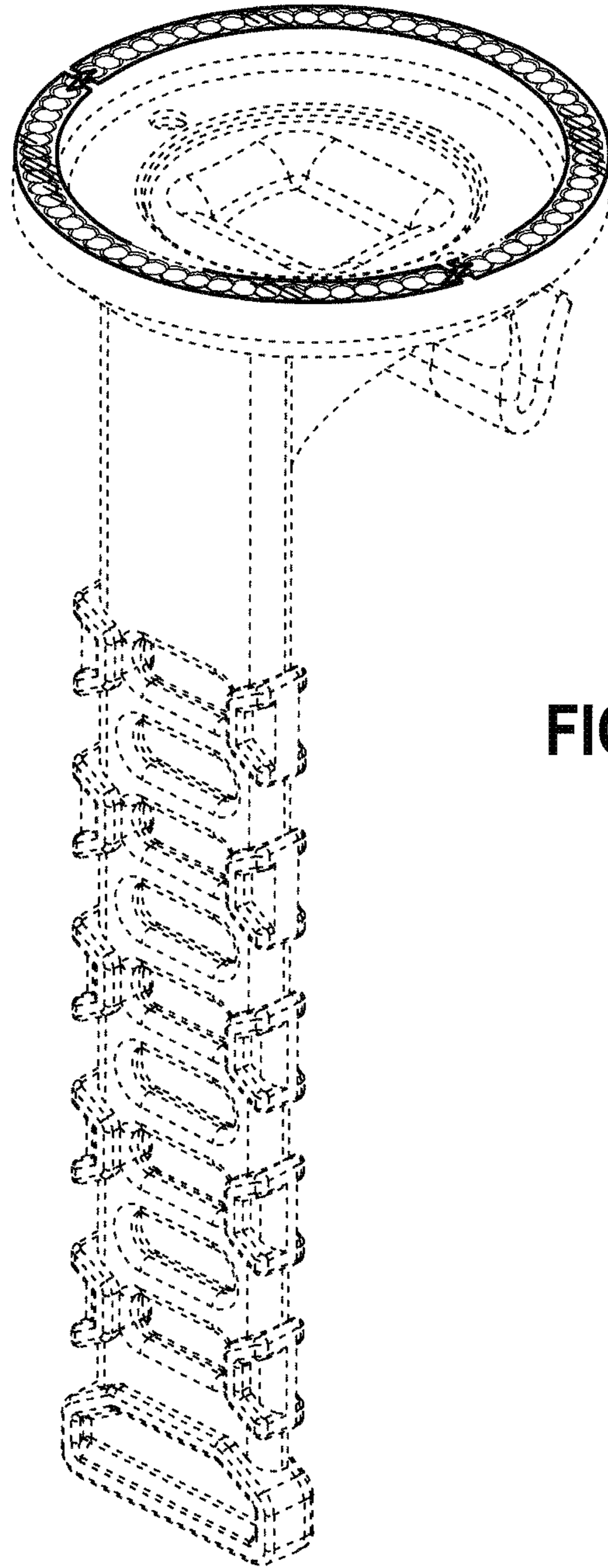


FIG. 9

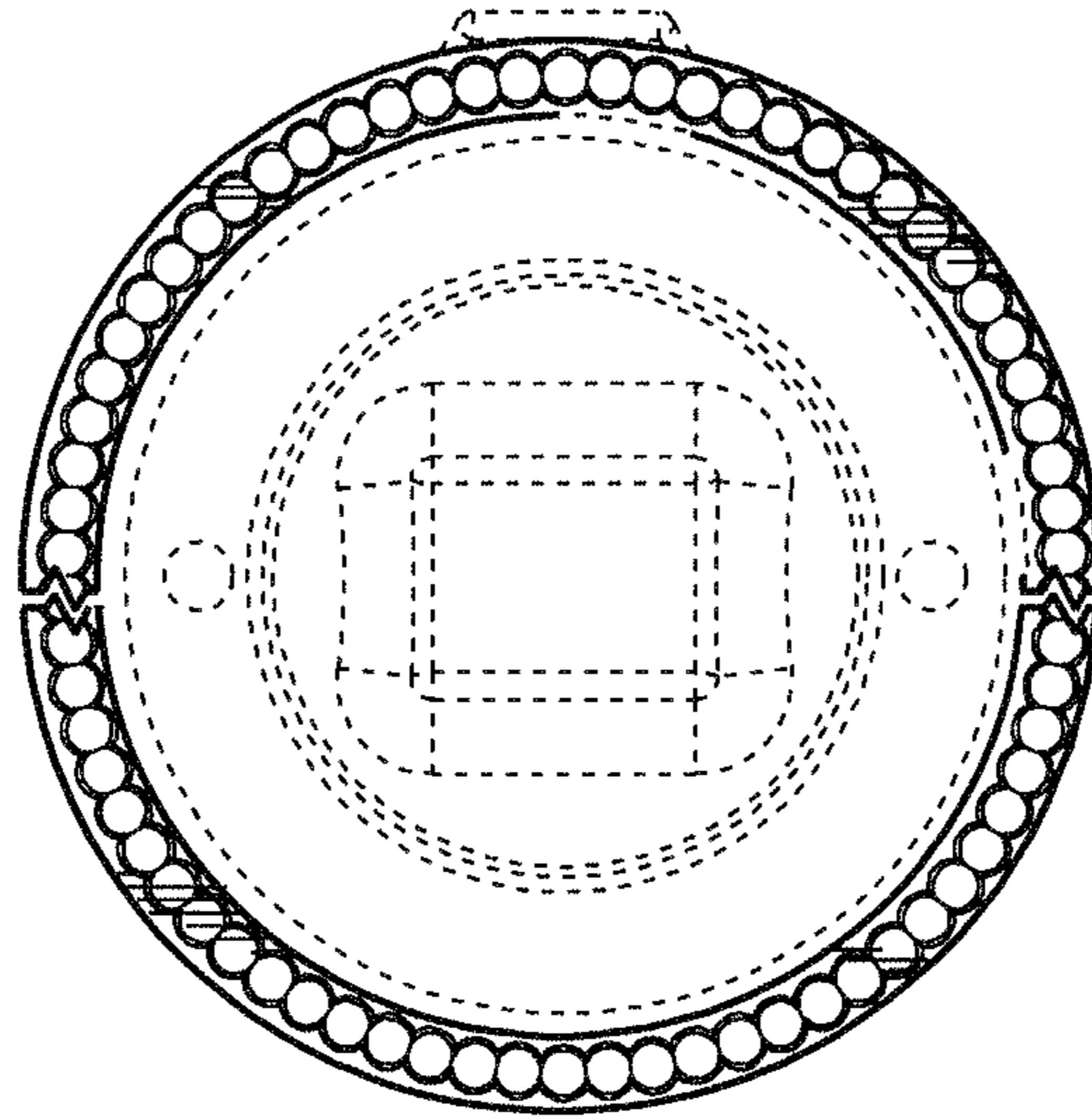


FIG. 10

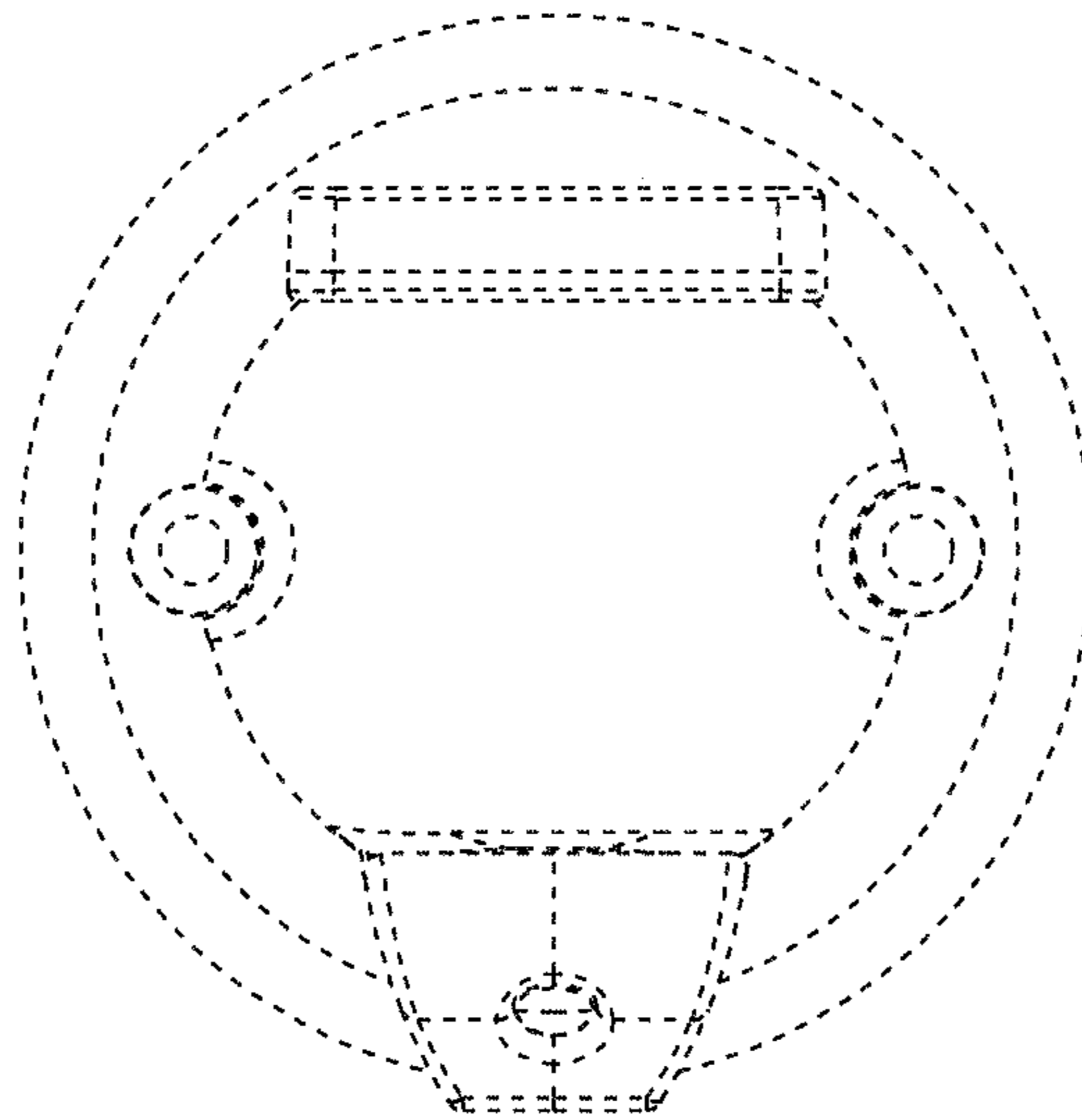


FIG. 11

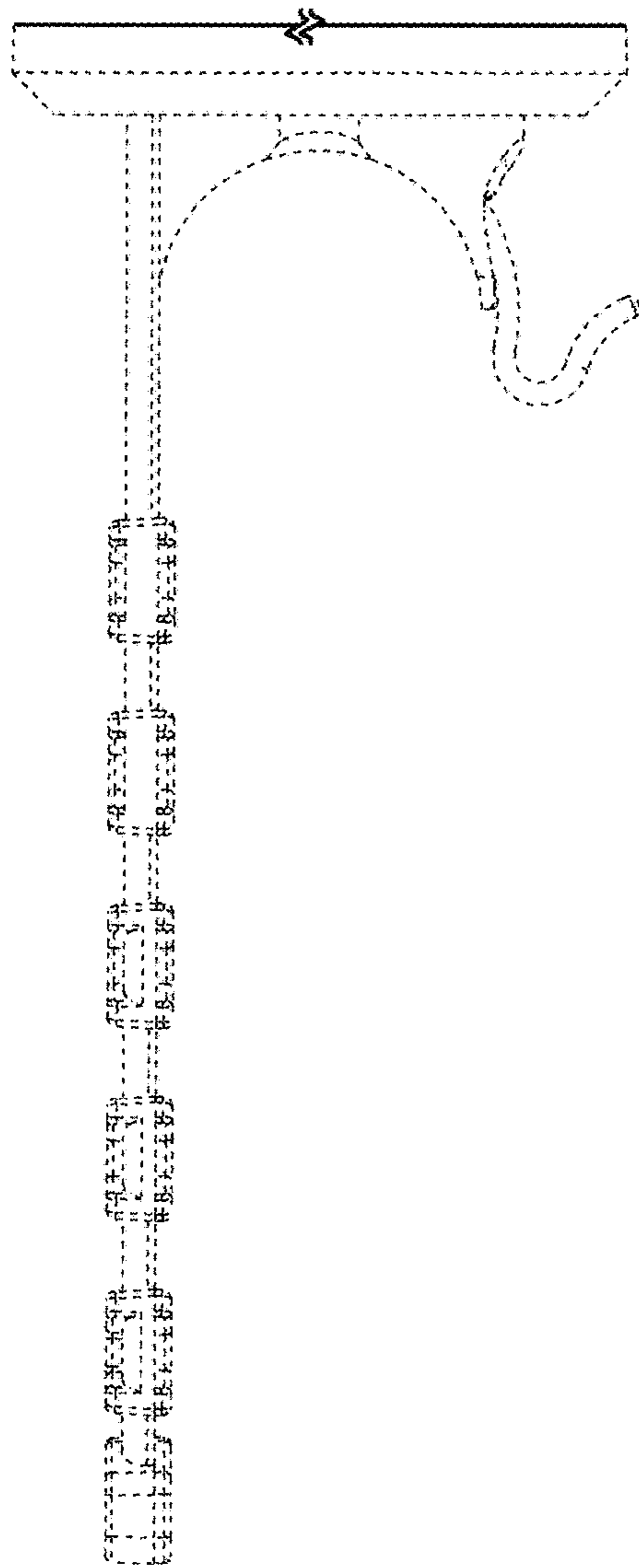


FIG. 12

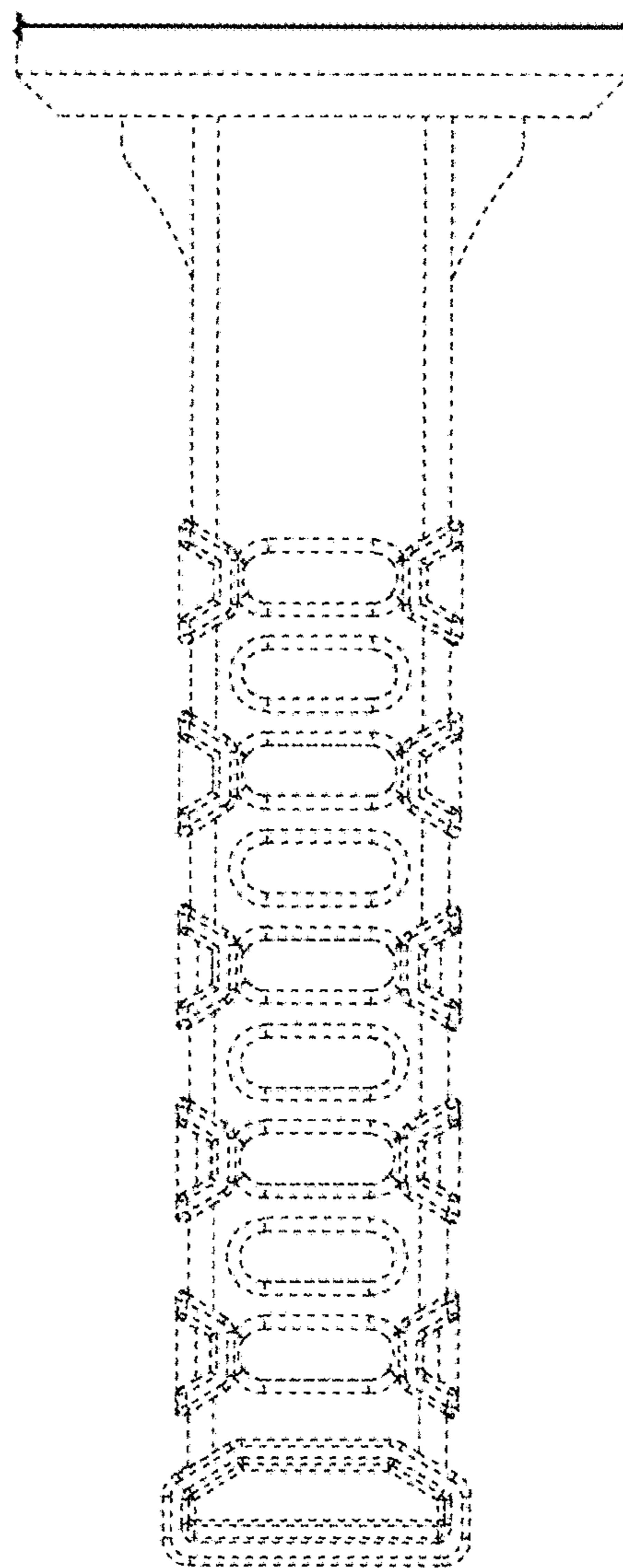


FIG. 13

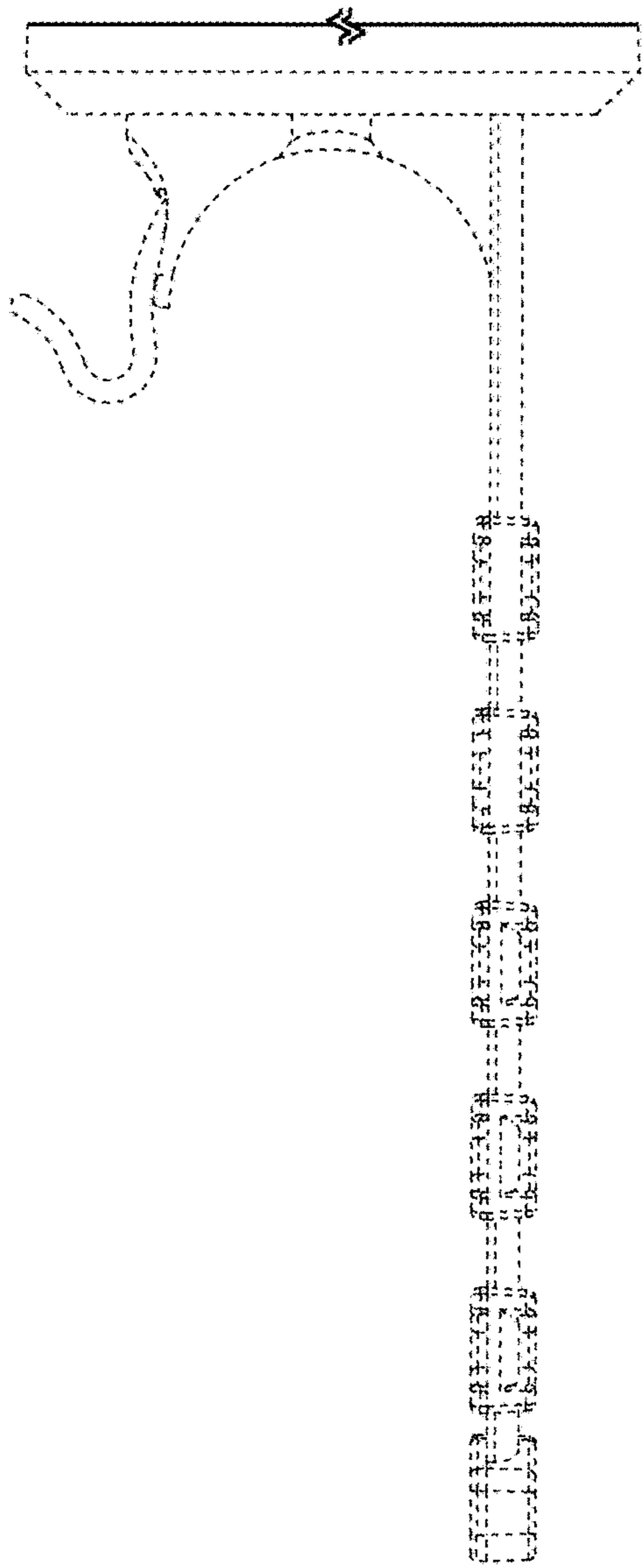


FIG. 14

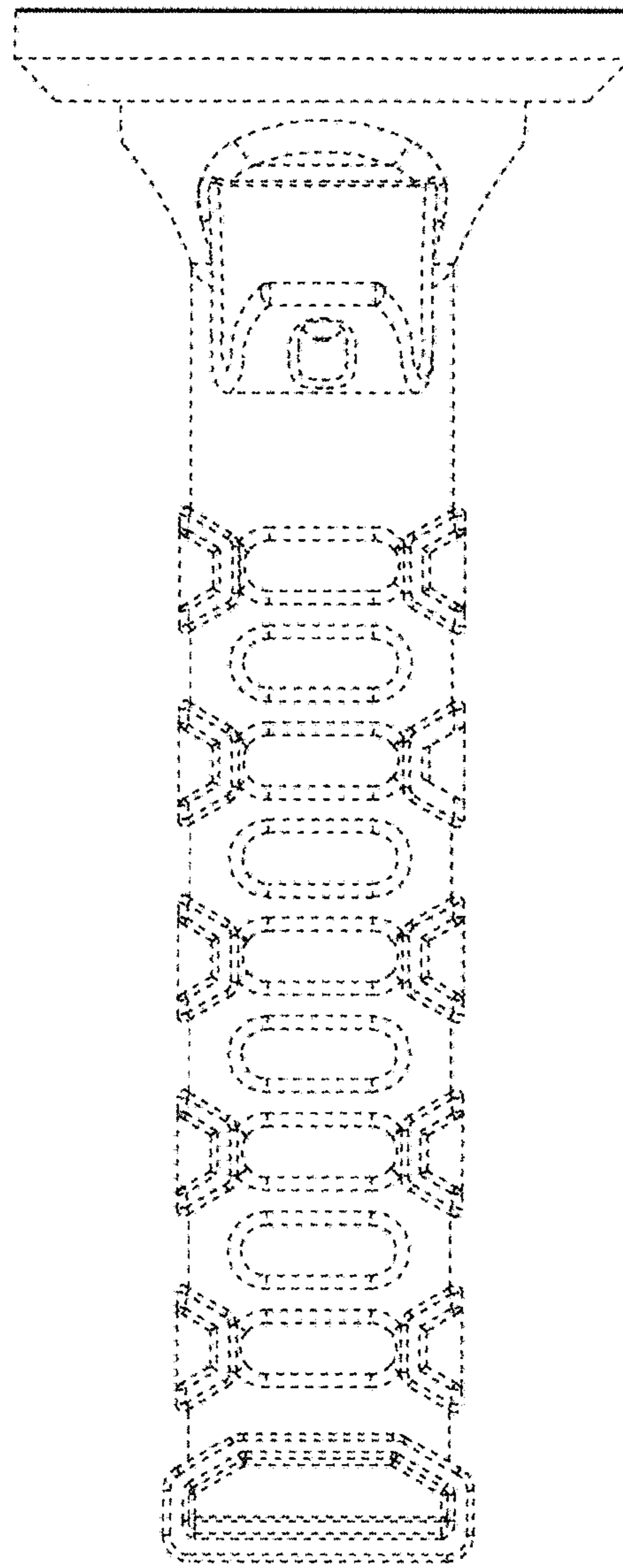


FIG. 15

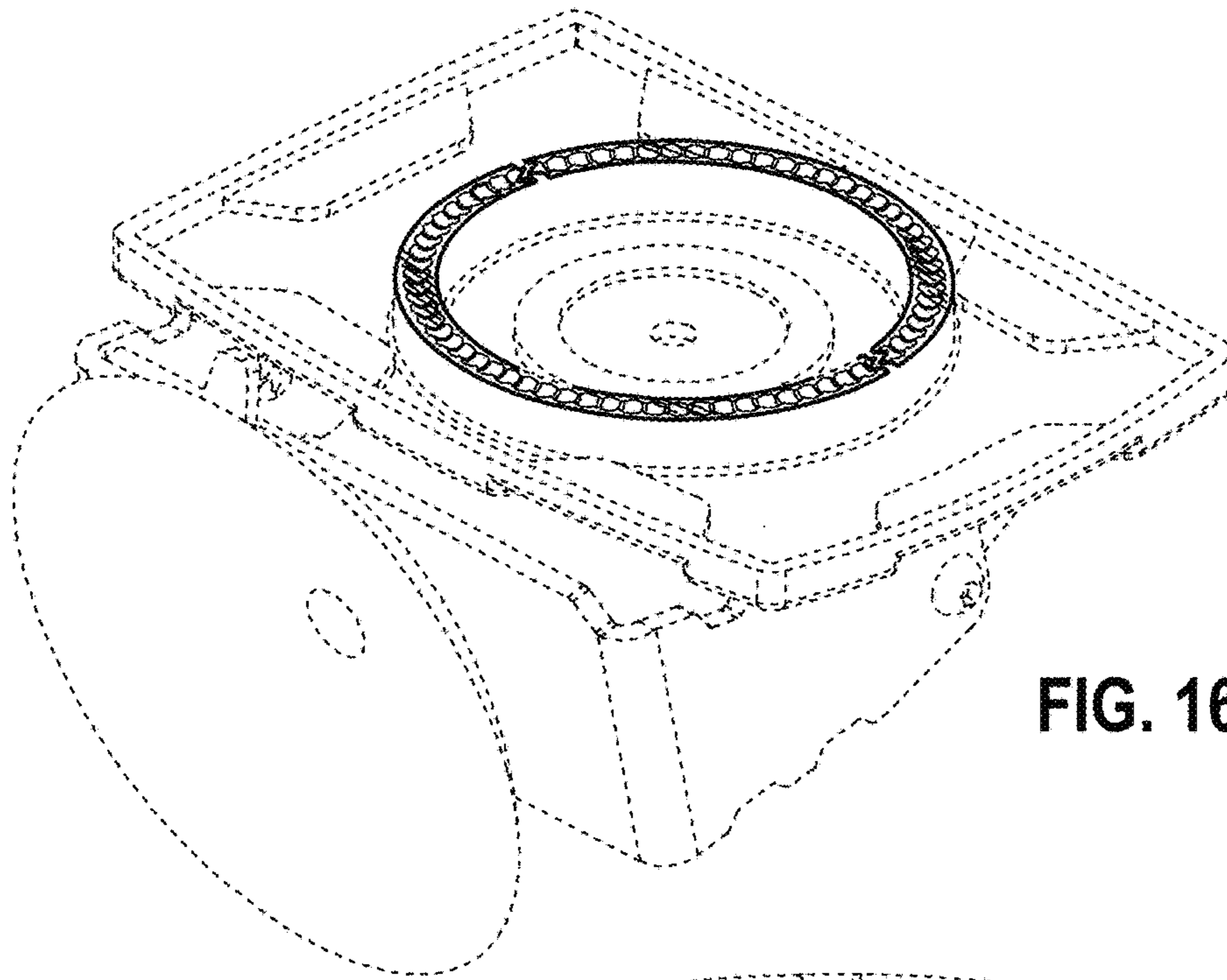
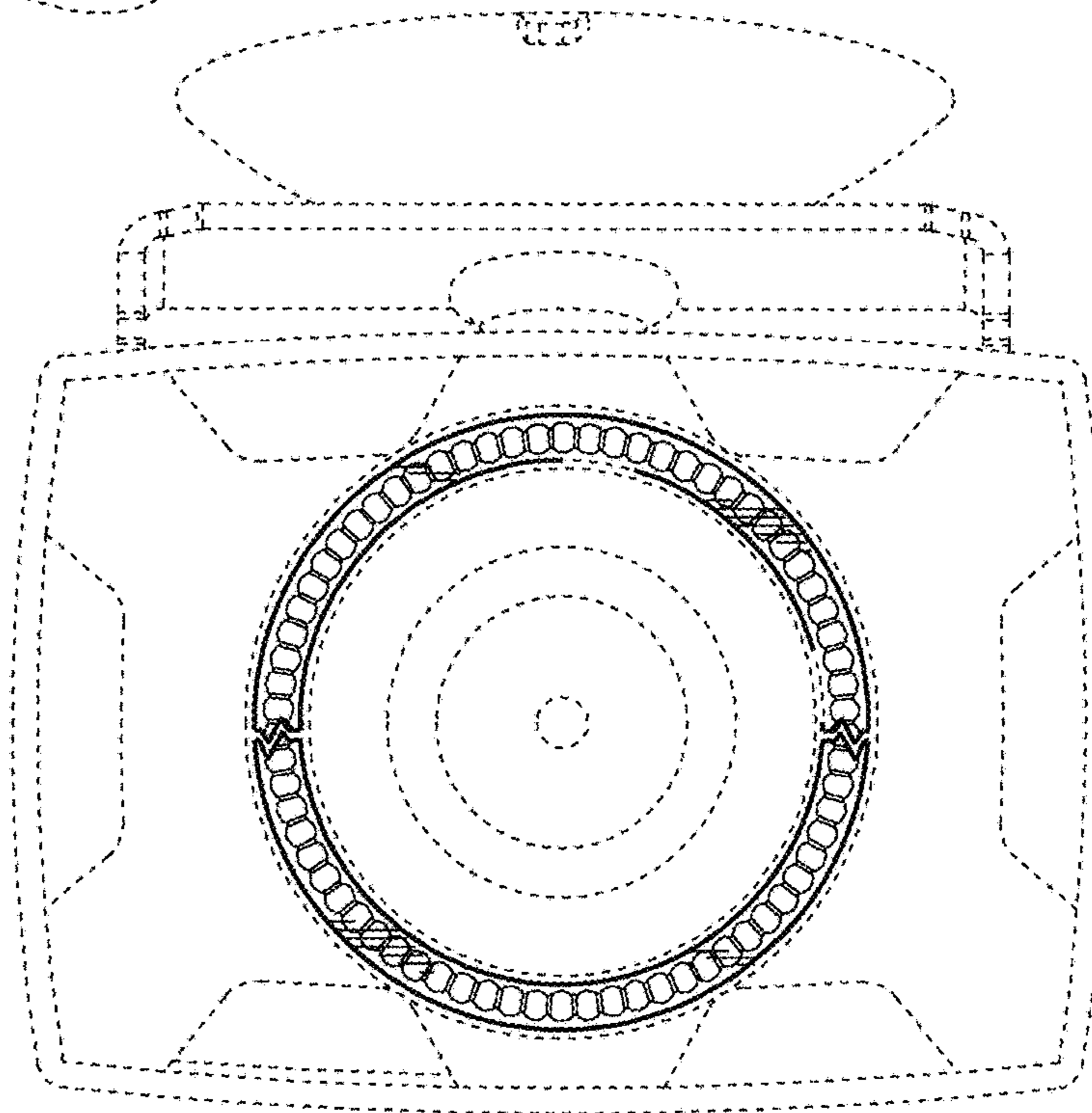


FIG. 16

FIG. 17



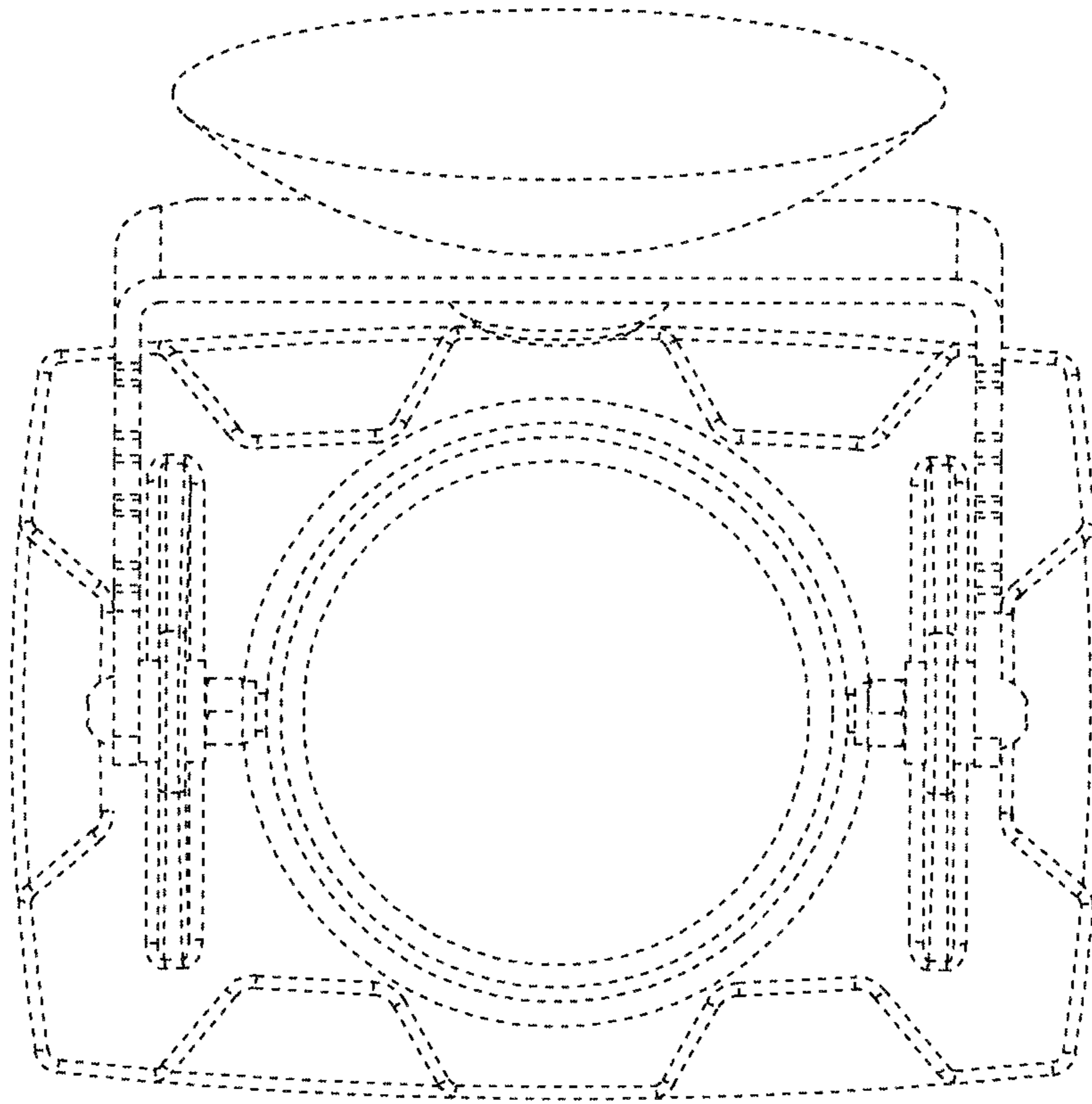


FIG. 18

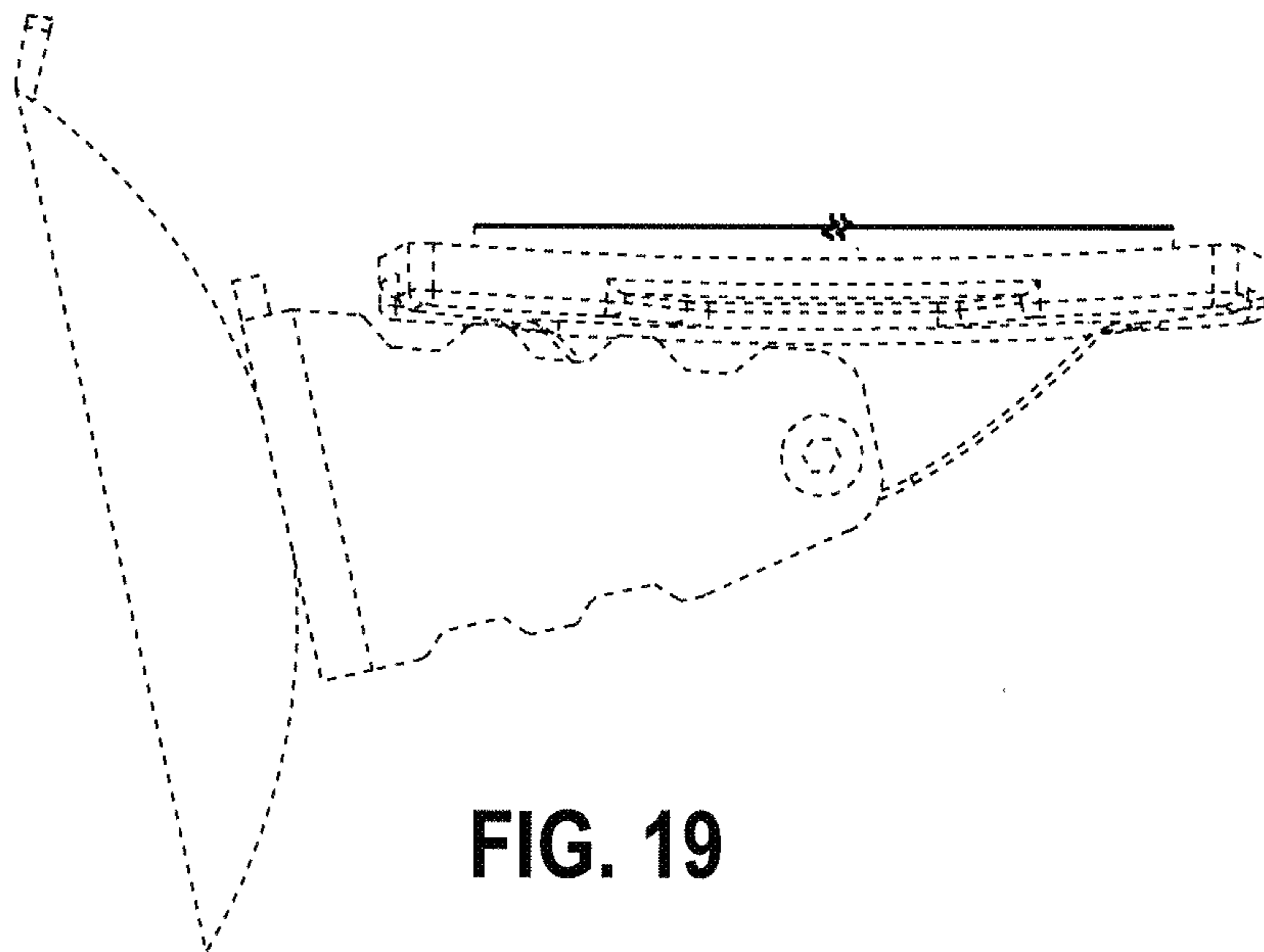


FIG. 19

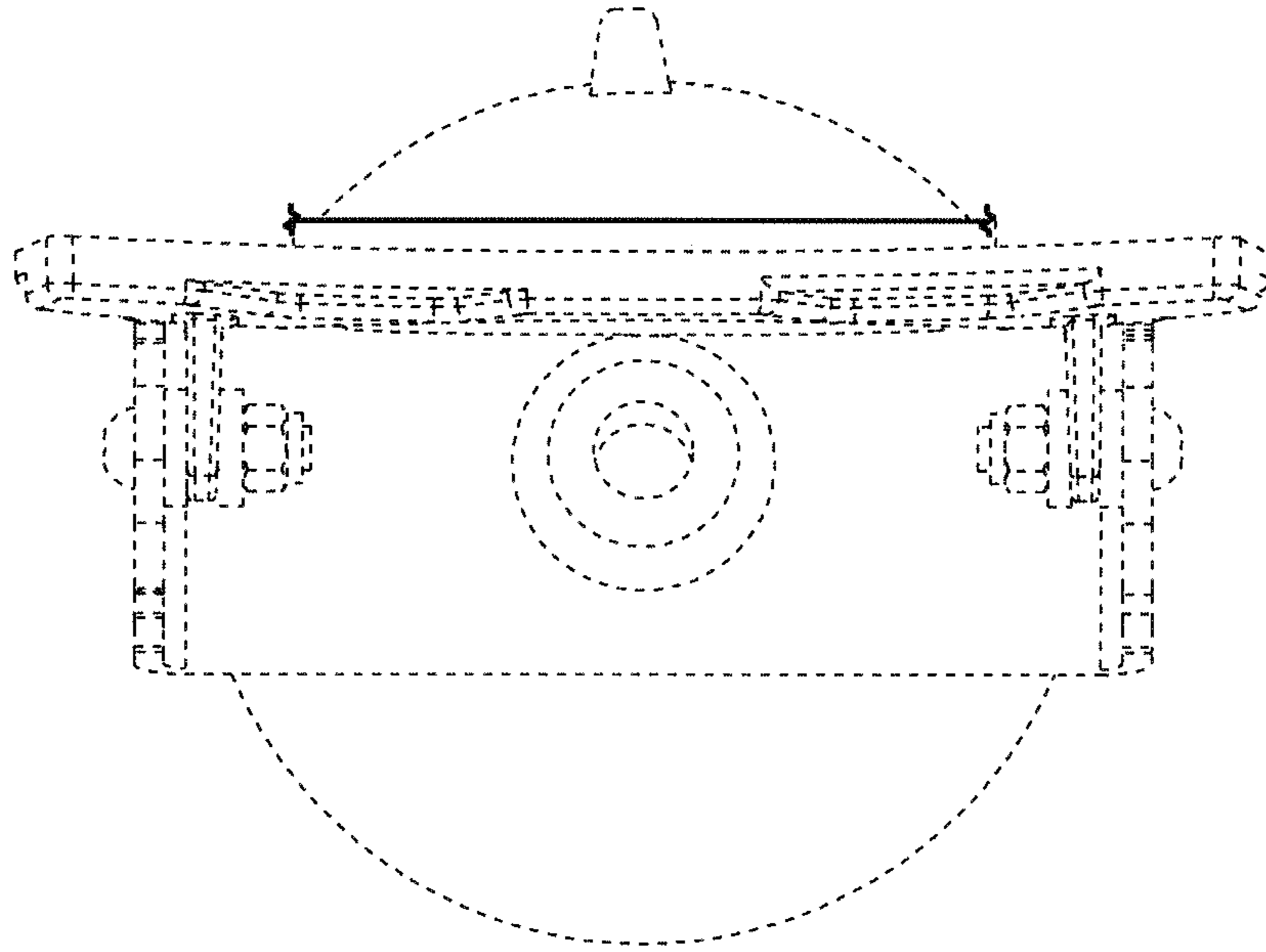


FIG. 20

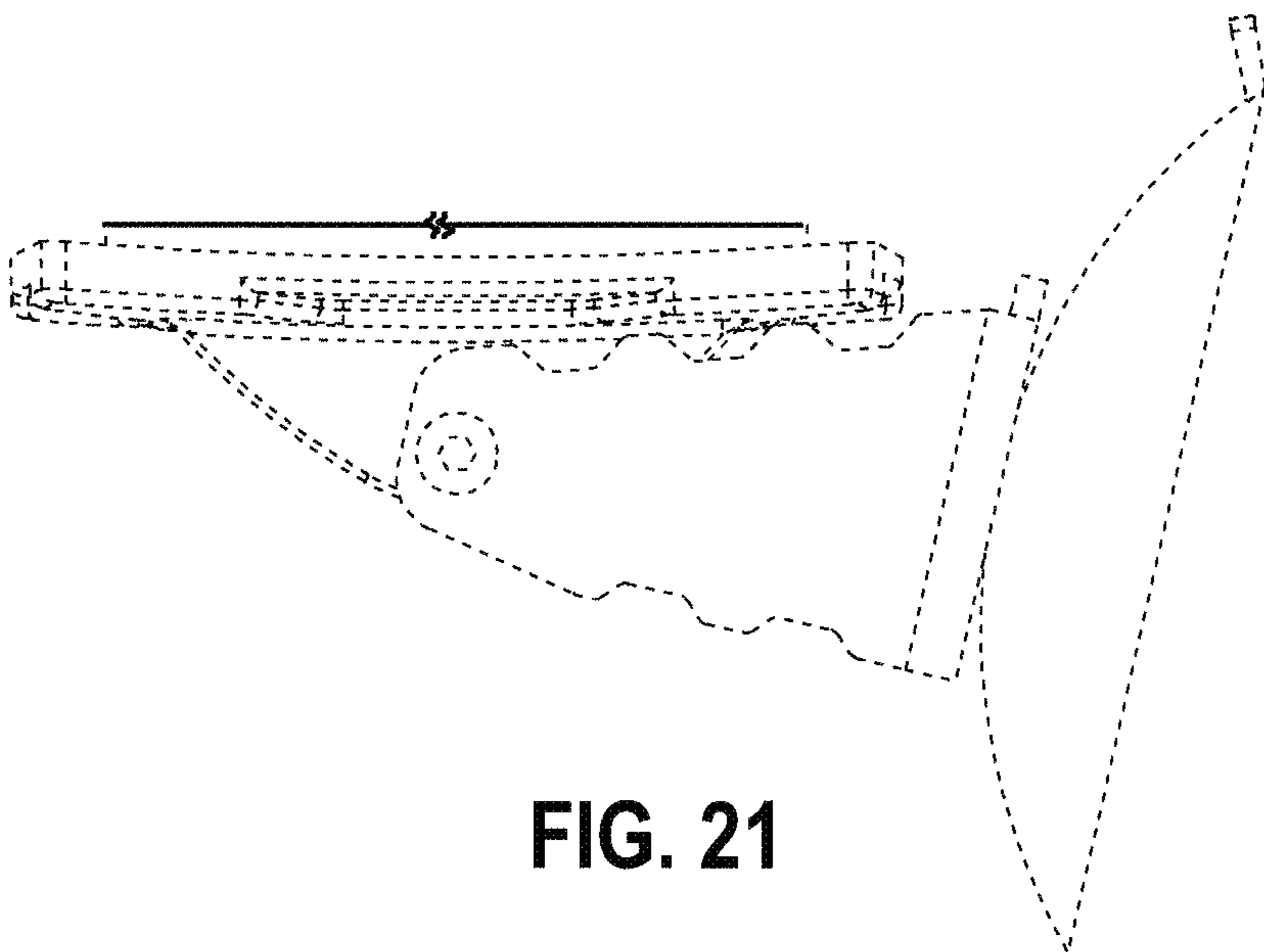


FIG. 21

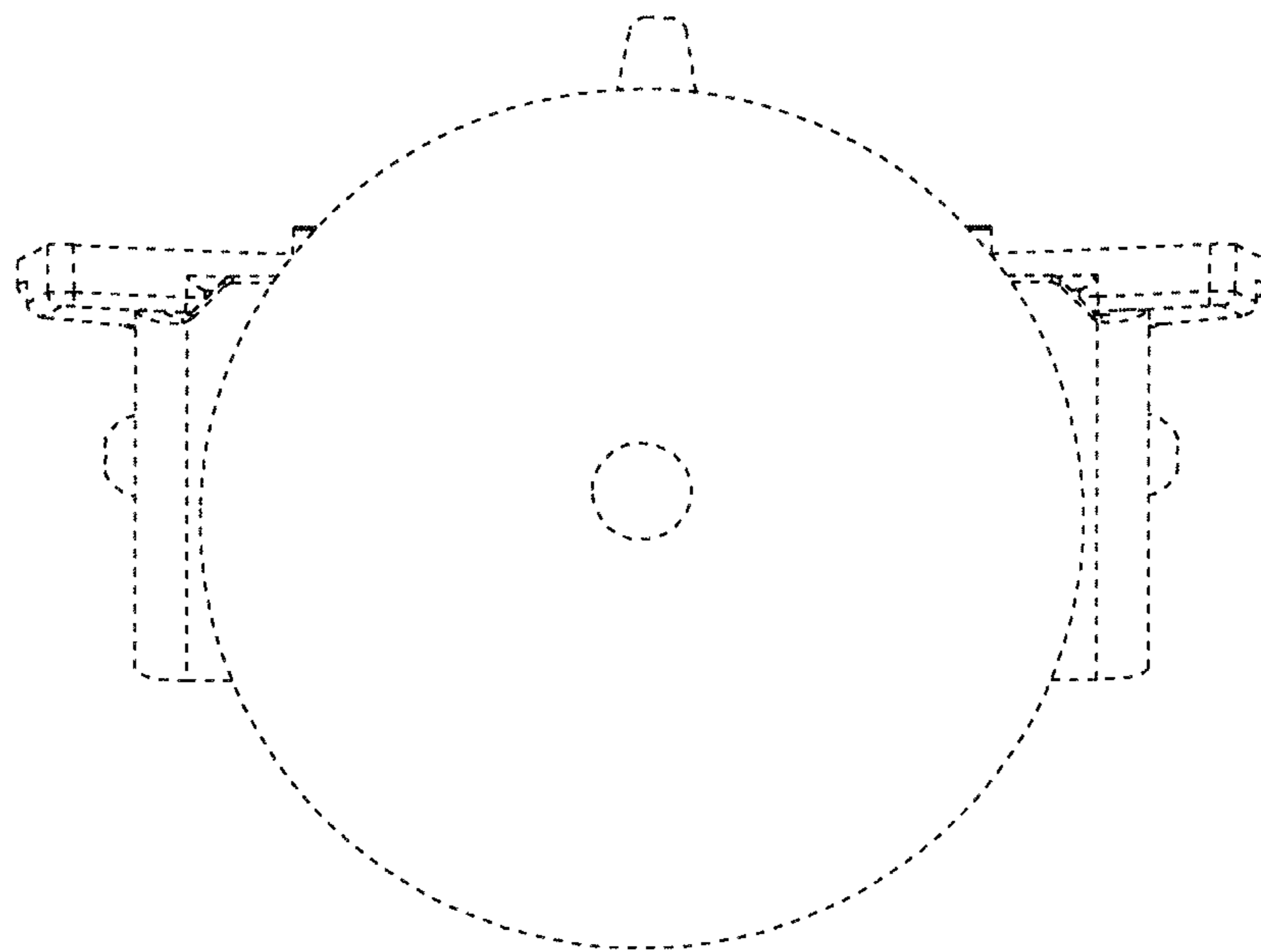


FIG. 22