



US00D773111S

(12) **United States Design Patent**
Huyghe

(10) **Patent No.:** **US D773,111 S**

(45) **Date of Patent:** **** Nov. 29, 2016**

(54) **LED LUMINAIRE**

(71) Applicant: **KONINKLIJKE PHILIPS N.V.**,
Eindhoven (NL)

(72) Inventor: **Jeffrey Huyghe**, Eindhoven (NL)

(73) Assignee: **PHILIPS LIGHTING HOLDING**
B.V., Eindhoven (NL)

(**) Term: **14 Years**

(21) Appl. No.: **29/508,987**

(22) Filed: **Nov. 13, 2014**

(51) **LOC (10) Cl.** **26-99**

(52) **U.S. Cl.**
USPC **D26/138**

(58) **Field of Classification Search**
USPC D26/24, 39, 59, 67, 68, 69, 70, 71, 72,
D26/74, 77, 80, 88, 89, 138, 139, 140, 141,
D26/142, 151, 152
CPC F24S 4/001; F24S 4/005; F24S 8/00;
F24S 8/04; F24S 8/043; F24S 8/046; F24S
8/06-8/065; F24S 13/02; F24S 13/04; F24S
13/06

See application file for complete search history.

(56) **References Cited**

U.S. PATENT DOCUMENTS

D291,928 S * 9/1987 Morten D26/76
D472,007 S * 3/2003 Weitgasser D26/76

D497,448 S * 10/2004 Kuebler D26/78
D603,548 S * 11/2009 Pei D26/76
D608,042 S * 1/2010 Wu D26/76
D629,553 S * 12/2010 Gielen D26/76
D629,554 S * 12/2010 Gielen D26/76
D637,753 S * 5/2011 Ng D26/78
D693,048 S * 11/2013 Ng D26/76
D695,443 S * 12/2013 Kaule D26/76
D700,732 S * 3/2014 Clark D26/76
D740,479 S * 10/2015 Beno D26/118

* cited by examiner

Primary Examiner — George D Kirschbaum

Assistant Examiner — Natasha Vujcic

(57) **CLAIM**

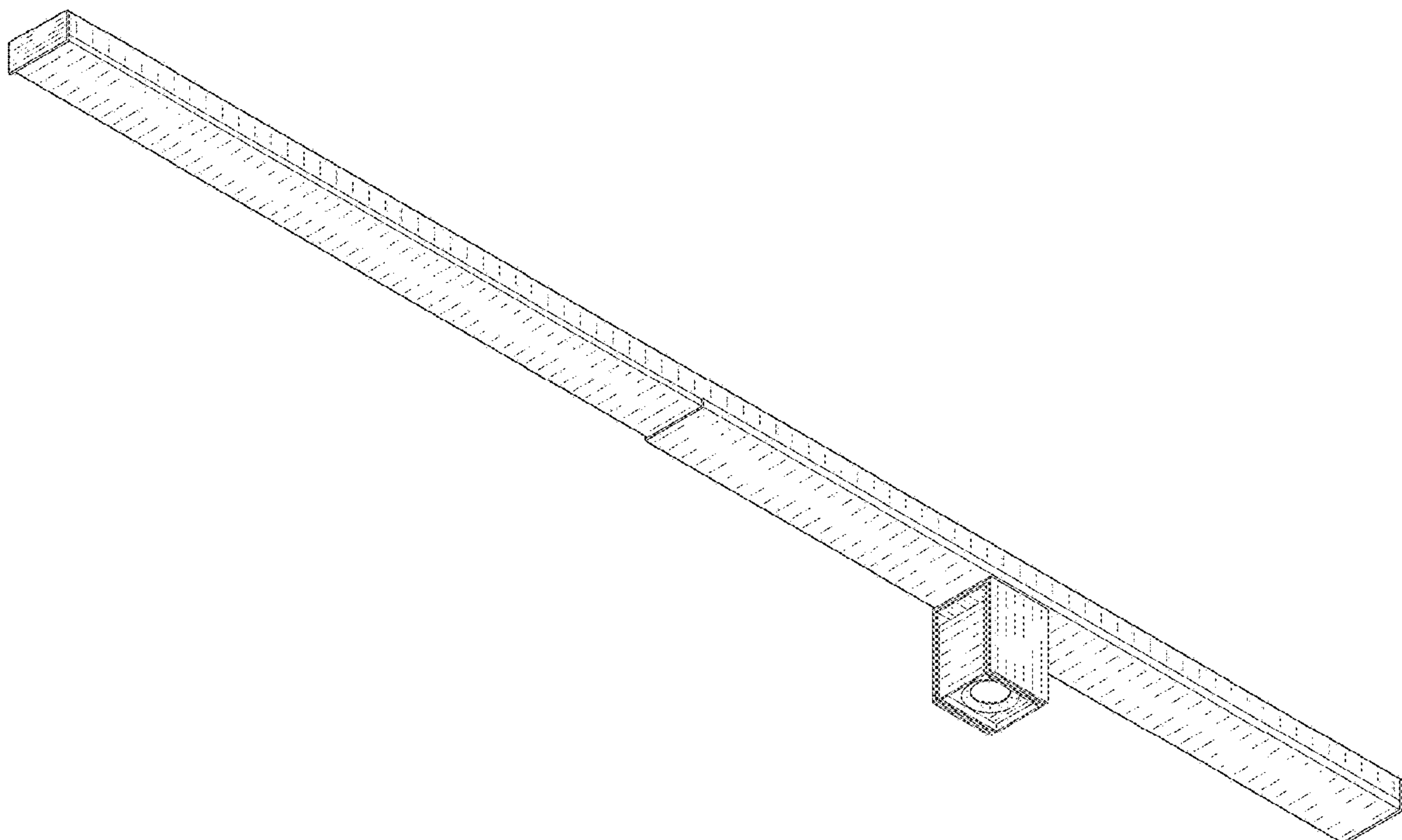
The ornamental design for an LED luminaire, as shown and described.

DESCRIPTION

FIG. 1 is a perspective view showing my design;
FIG. 2 is a front elevational view thereof;
FIG. 3 is a rear elevational view thereof;
FIG. 4 is a right side elevational view thereof;
FIG. 5 is a left side elevational view thereof;
FIG. 6 is a top plan view thereof; and,
FIG. 7 is a bottom plan view thereof.

The dash-dot-dash broken lines shown represent the bounds of the claim and forms no part thereof and the dashed broken lines shown therein illustrate portions of the luminaire that form no part of the claimed design.

1 Claim, 6 Drawing Sheets



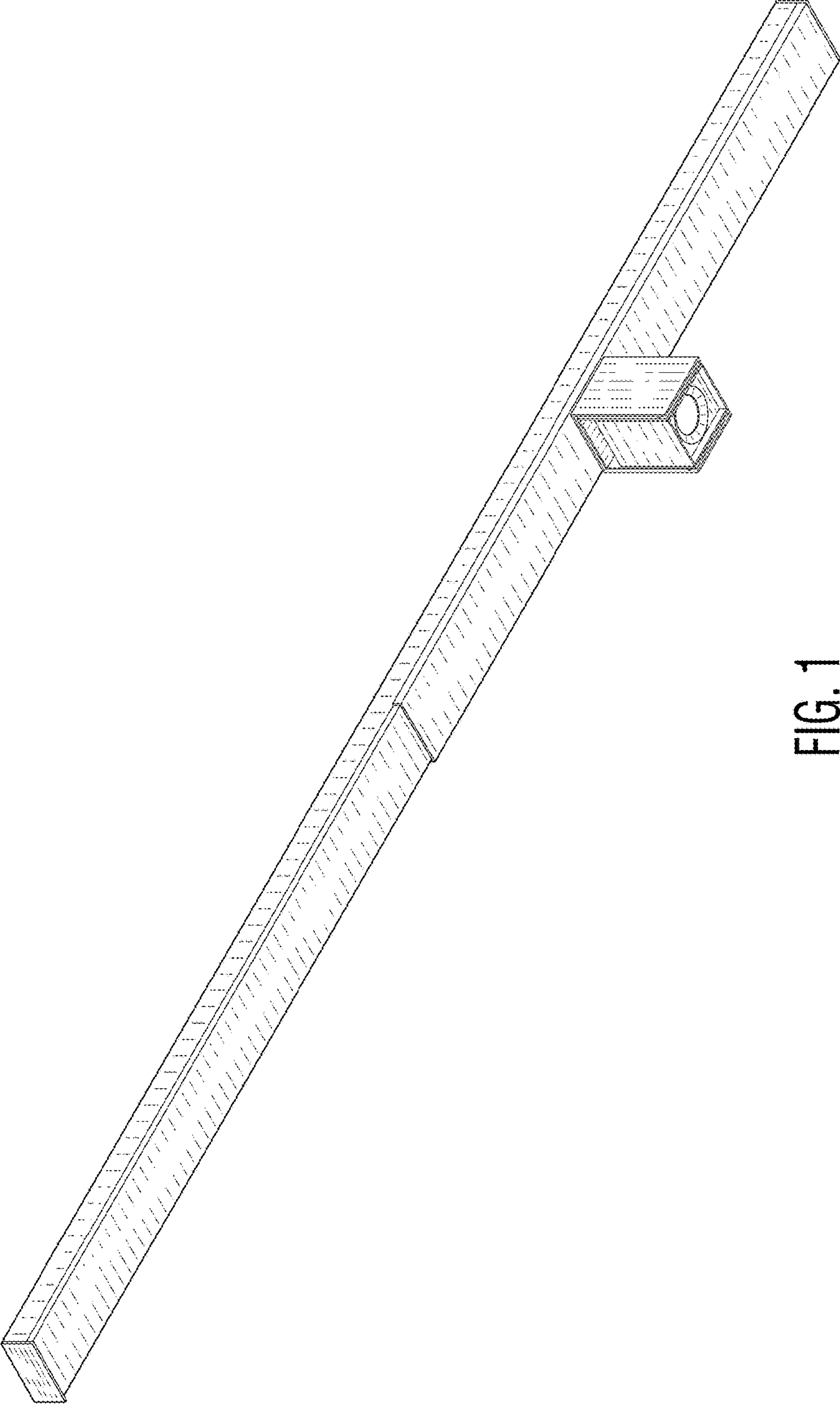


FIG. 1

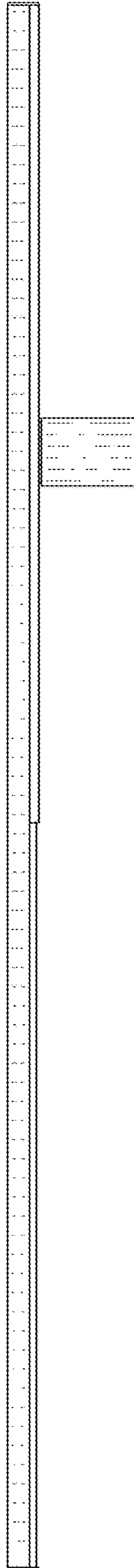


FIG. 2

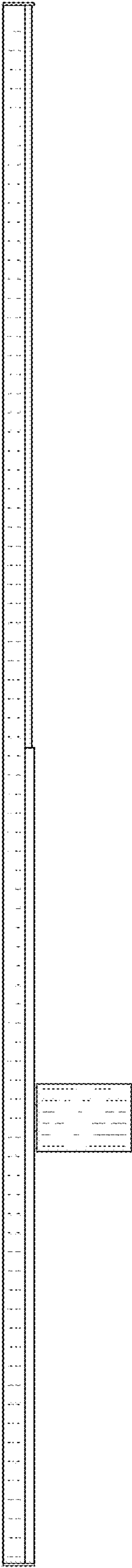


FIG. 3

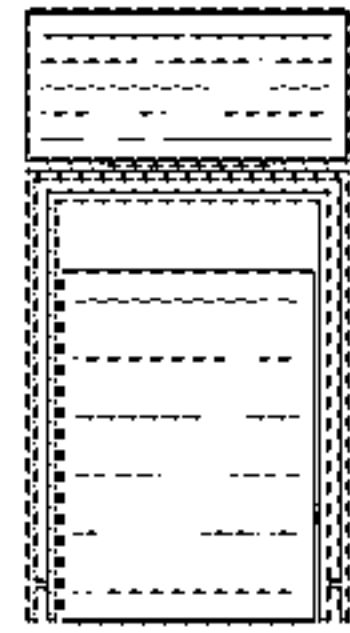


FIG. 4

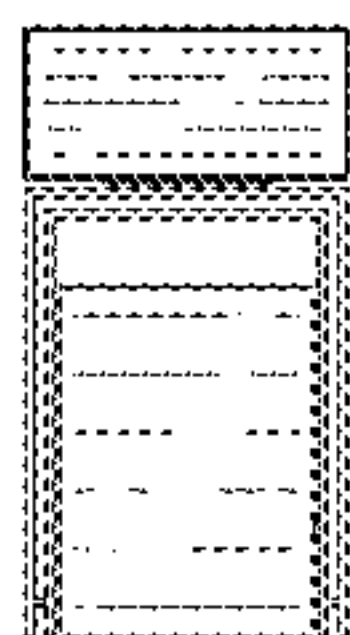


FIG. 5

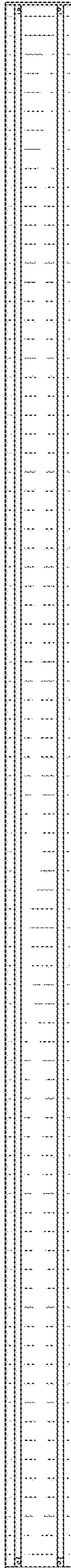


FIG. 6

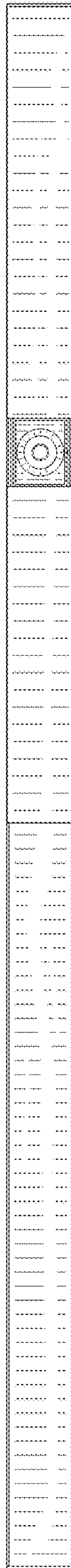


FIG. 7