



US00D773110S

(12) **United States Design Patent** (10) **Patent No.:** **US D773,110 S**  
**Eboli** (45) **Date of Patent:** **\*\* Nov. 29, 2016**

(54) **AUXILIARY LIGHT MOUNT ASSEMBLY**  
(71) Applicant: **Omix-Ada, Inc.**, Suwanee, GA (US)  
(72) Inventor: **Alain Eboli**, Lawrenceville, GA (US)  
(73) Assignee: **Omix-Ada, Inc.**, Suwanee, GA (US)

6,588,637 B2 7/2003 Gates et al.  
D482,489 S \* 11/2003 Gary ..... D26/138  
7,458,620 B2 12/2008 Rotole et al.  
7,874,533 B1 1/2011 Gates et al.  
D664,707 S \* 7/2012 Toft ..... D26/142  
D692,290 S \* 10/2013 Stanesic ..... D8/331  
D752,804 S \* 3/2016 Williamson ..... D26/141

(Continued)

(\*\*) Term: **14 Years**  
(21) Appl. No.: **29/501,370**  
(22) Filed: **Sep. 3, 2014**

*Primary Examiner* — George D Kirschbaum  
*Assistant Examiner* — Natasha Vujcic  
(74) *Attorney, Agent, or Firm* — Womble Carlyle Sandridge & Rice LLP

**Related U.S. Application Data**

(63) Continuation of application No. 14/030,279, filed on Sep. 18, 2013, now Pat. No. 9,145,084.

(51) **LOC (10) Cl.** ..... **26-99**

(52) **U.S. Cl.**  
USPC ..... **D26/138**

(58) **Field of Classification Search**  
USPC ..... D26/24, 39, 59, 67, 68, 69, 70, 71, 72, D26/74, 77, 80, 88, 89, 138, 139, 140, 141, D26/142, 151, 152  
CPC ..... F24S 4/001; F24S 4/005; F24S 8/00; F24S 8/04; F24S 8/043; F24S 8/046; F24S 8/06-8/065; F24S 13/02; F24S 13/04; F24S 13/06

See application file for complete search history.

(56) **References Cited**

**U.S. PATENT DOCUMENTS**

1,777,884 A 10/1930 Horix  
D378,145 S \* 2/1997 Cohon ..... D26/141  
5,634,620 A 6/1997 Verot  
D381,113 S \* 7/1997 Safyan ..... D26/140  
D393,098 S \* 3/1998 Adams ..... D26/138  
6,106,189 A 8/2000 Seale  
D430,699 S \* 9/2000 Coleman, Jr. .... D26/138  
D440,005 S \* 4/2001 Blanton ..... D26/138  
6,407,713 B1 6/2002 Mallenius

(57) **CLAIM**

The ornamental design for an auxiliary light mount assembly, as shown and described.

**DESCRIPTION**

FIG. 1 is a perspective view of an auxiliary light mount assembly, showing mounted around a tubular bumper, in accordance with my invention;

FIG. 2 is another perspective view of the auxiliary light mount assembly of FIG. 1.

FIG. 3 is a front view of the auxiliary light mount assembly of FIG. 1.

FIG. 4 is a back view of the auxiliary light mount assembly of FIG. 1.

FIG. 5 is a top view of the auxiliary light mount assembly of FIG. 1.

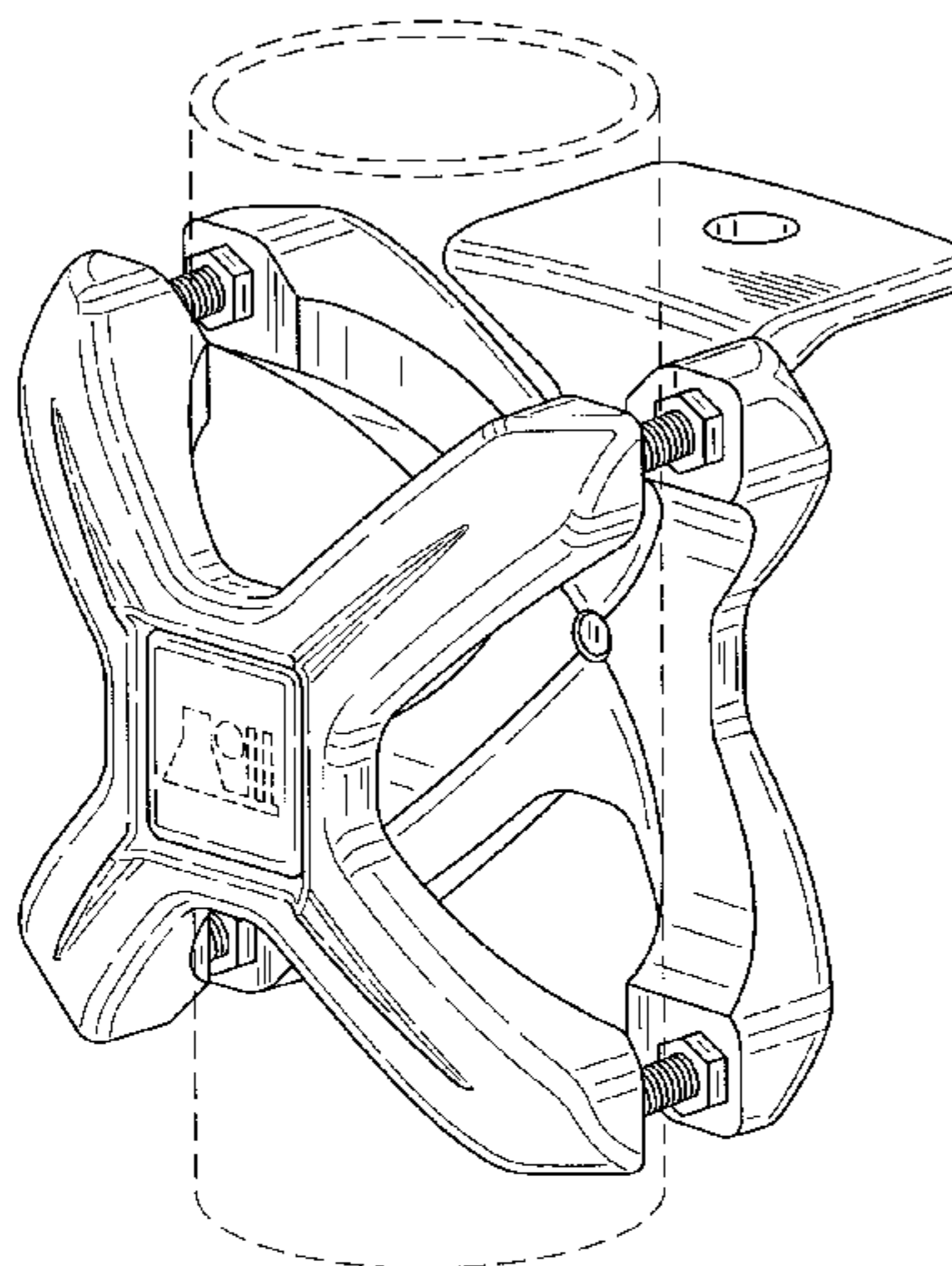
FIG. 6 is a bottom view of the auxiliary light mount assembly of FIG. 1.

FIG. 7 is a right side view of the auxiliary light mount assembly of FIG. 1; and,

FIG. 8 is a left side view of the auxiliary light mount assembly of FIG. 1.

The broken lines illustrate a tubular bumper around which the auxiliary light mount assembly is mounted and a logo symbol formed into a visible surface, which tubular bumper and logo symbol form no part of the claimed design.

**1 Claim, 4 Drawing Sheets**



(56)

**References Cited**

U.S. PATENT DOCUMENTS

D758,829 S *	6/2016	Bennett .....	D8/328	2011/0315829 A1	12/2011	Darnell	
2003/0168484 A1	9/2003	Gates et al.		2012/0267408 A1	10/2012	DeVolder	
2008/0095573 A1	4/2008	Hewett et al.		2013/0207379 A1	8/2013	Meissner et al.	
2010/0038505 A1	2/2010	Sonnenberg		2015/0069821 A1*	3/2015	Bennett .....	B60B 7/0013
							301/37.26
				2015/0076300 A1*	3/2015	Eboli .....	B60Q 1/0483
							248/214

\* cited by examiner

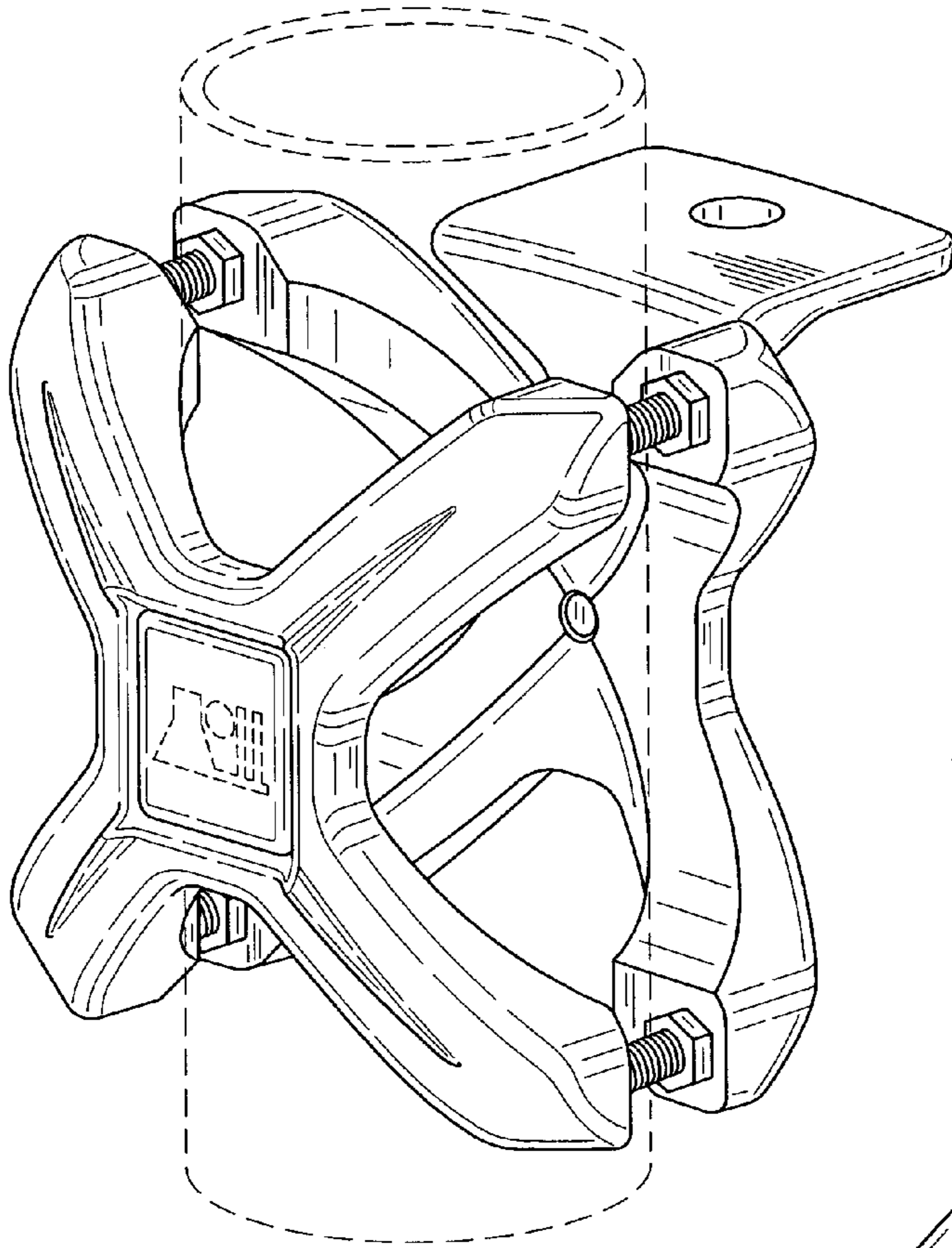


FIG. 1

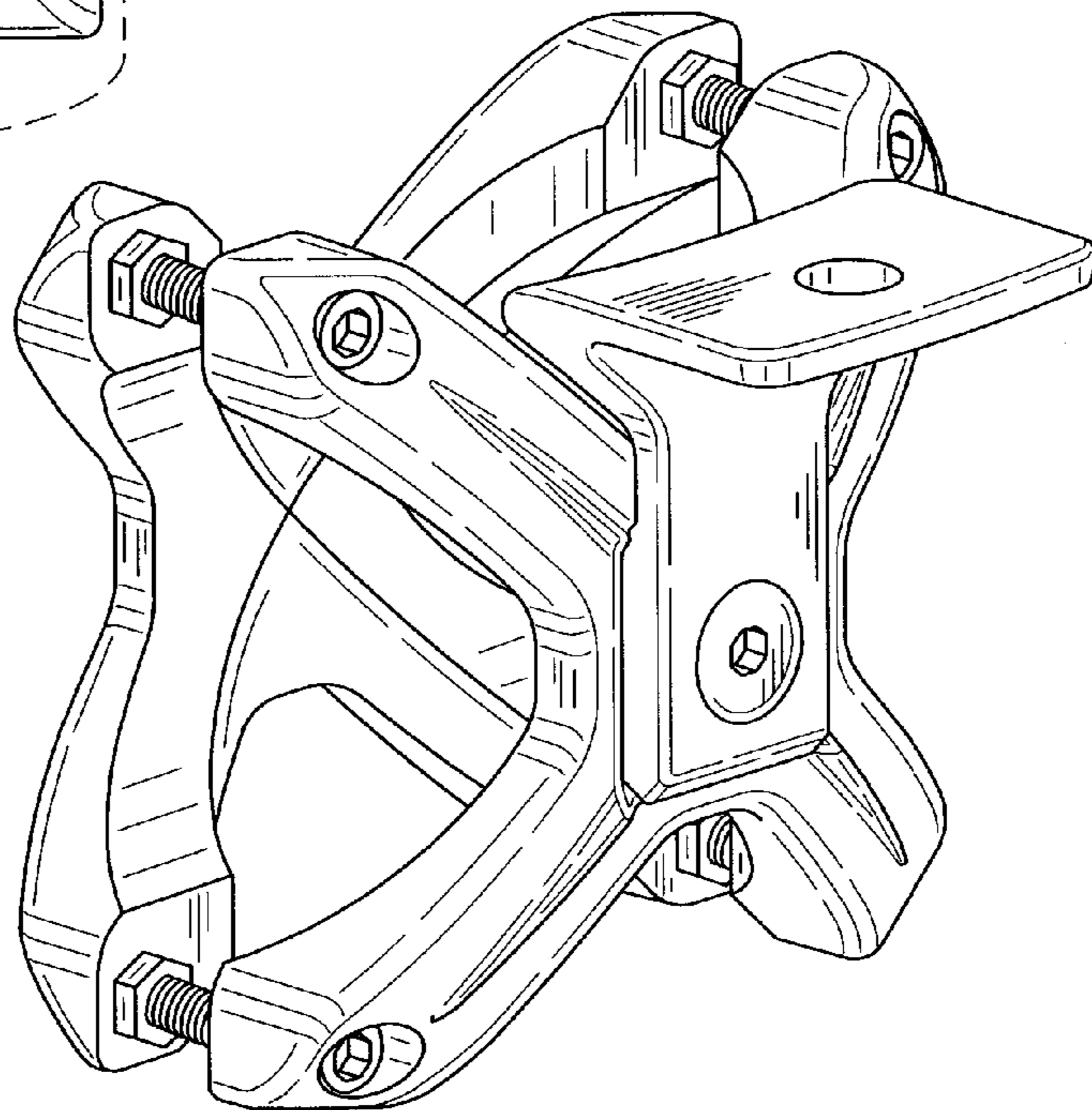


FIG. 2

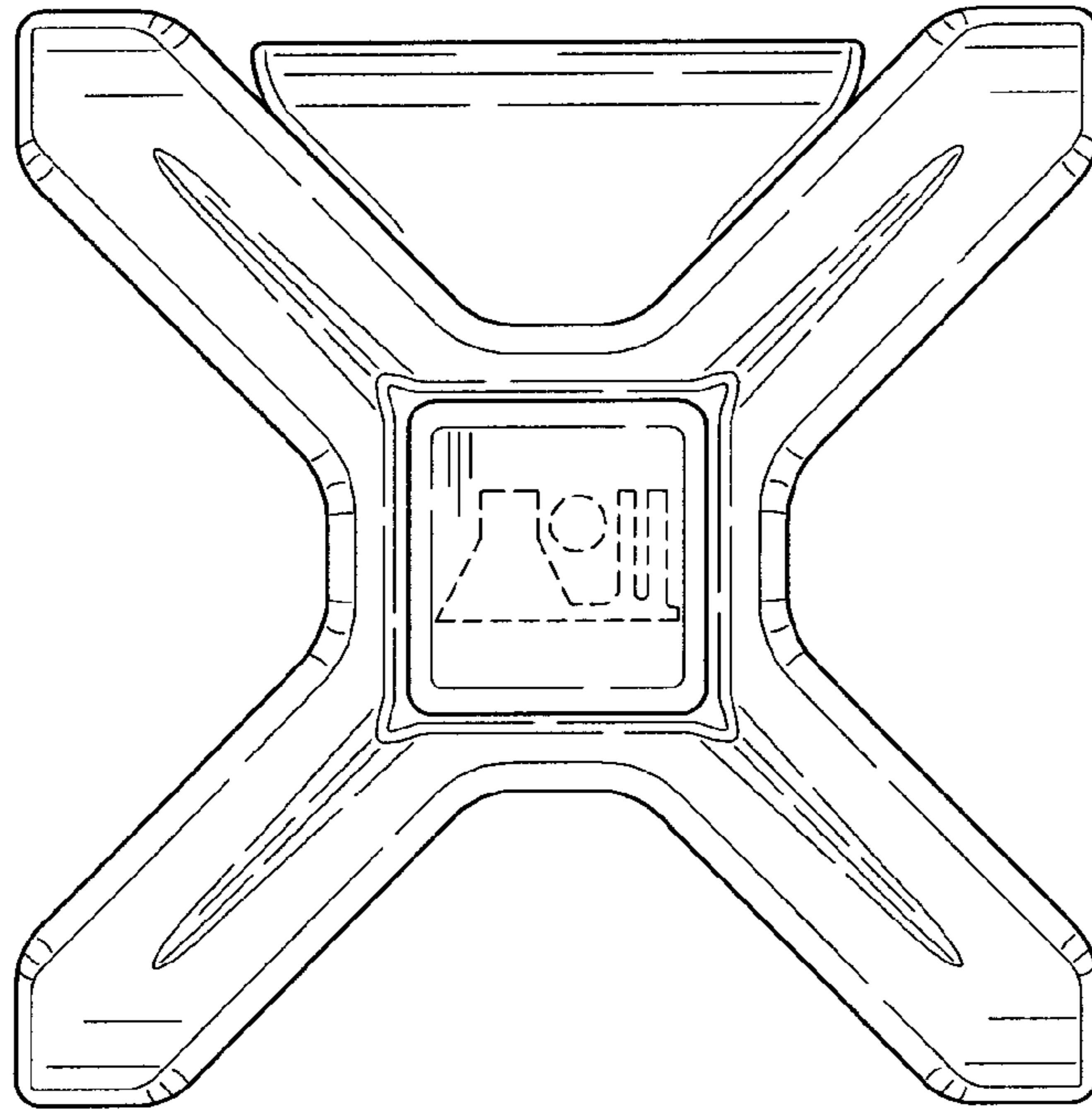


FIG. 3

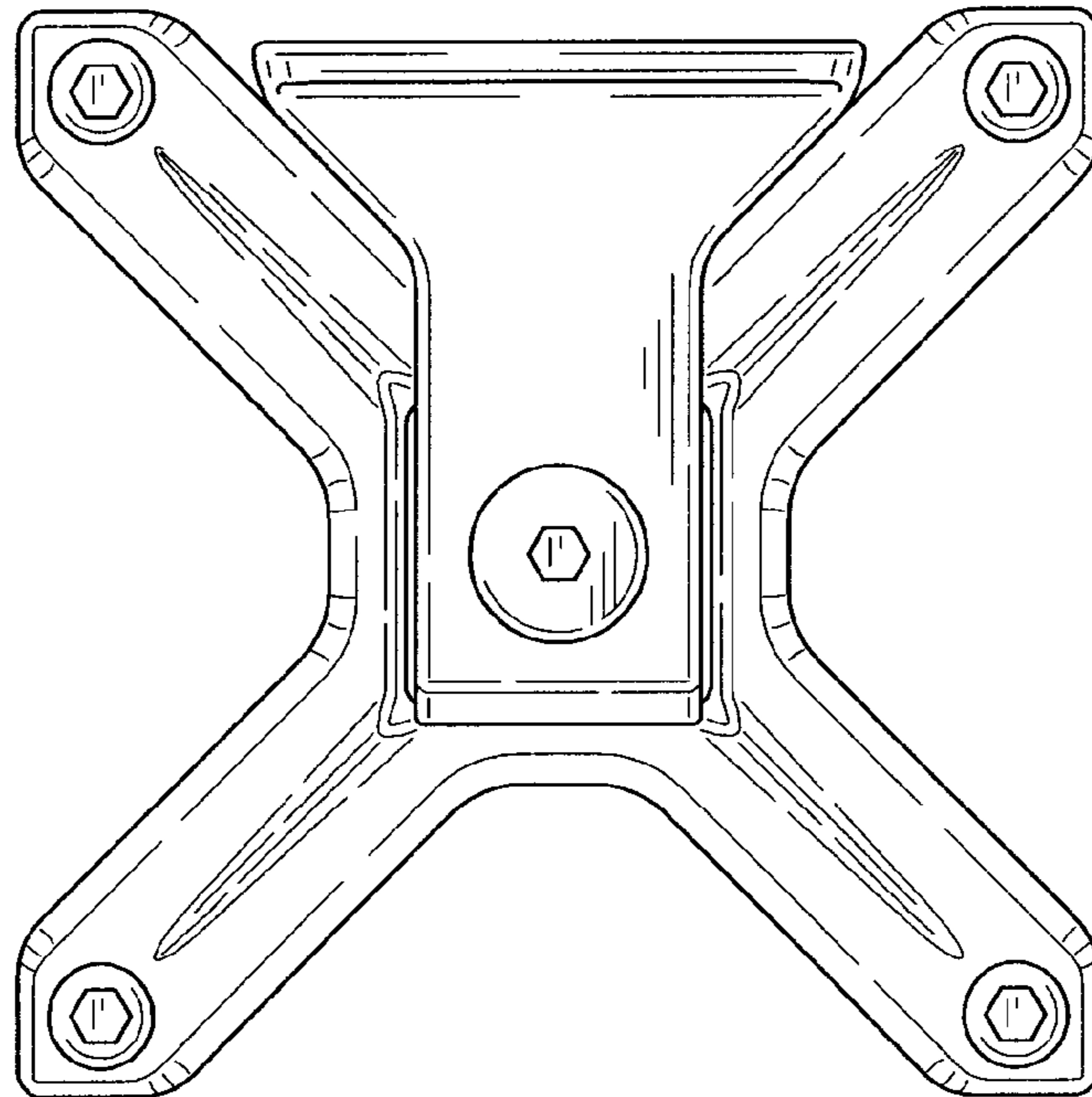


FIG. 4

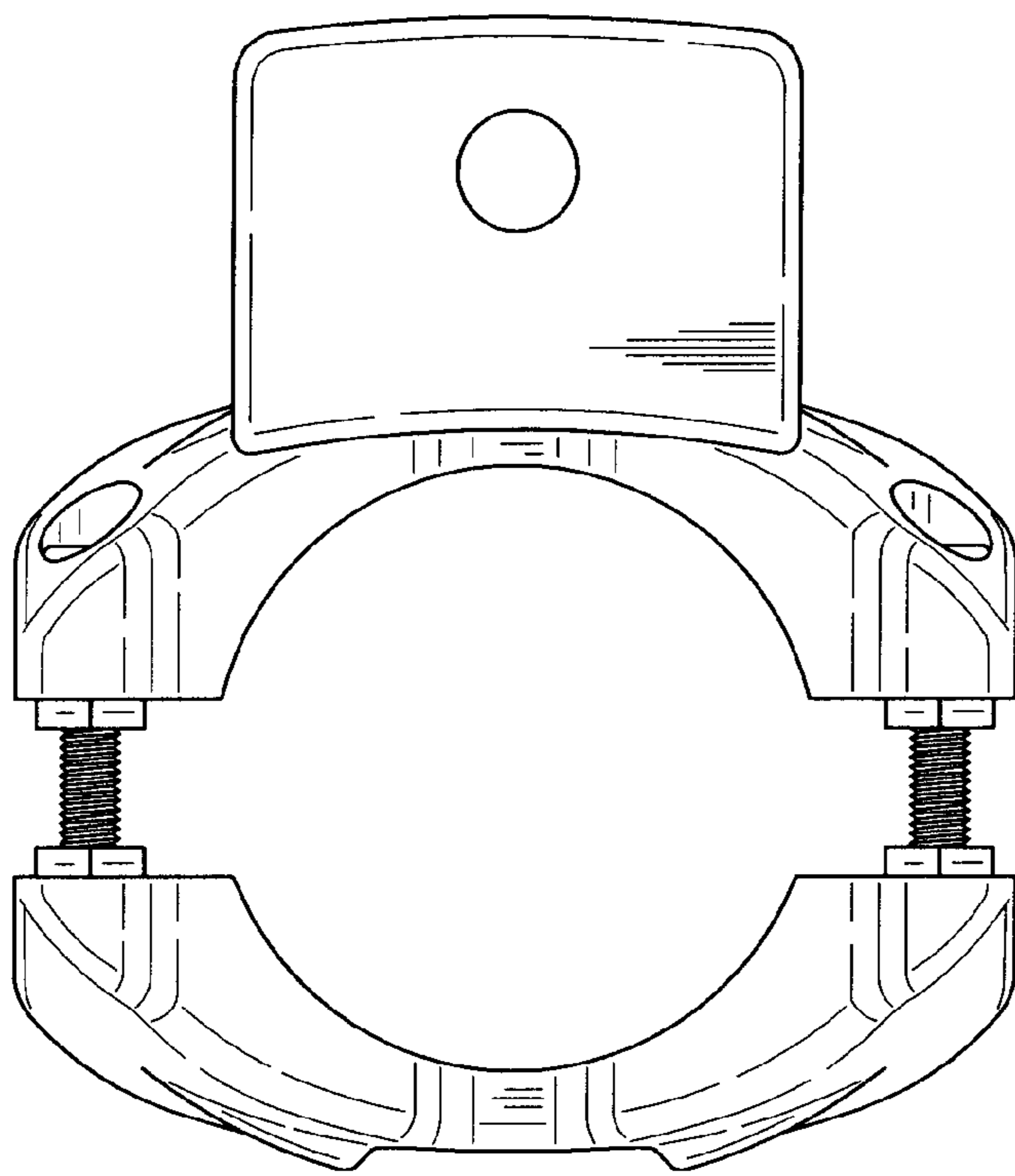


FIG. 5

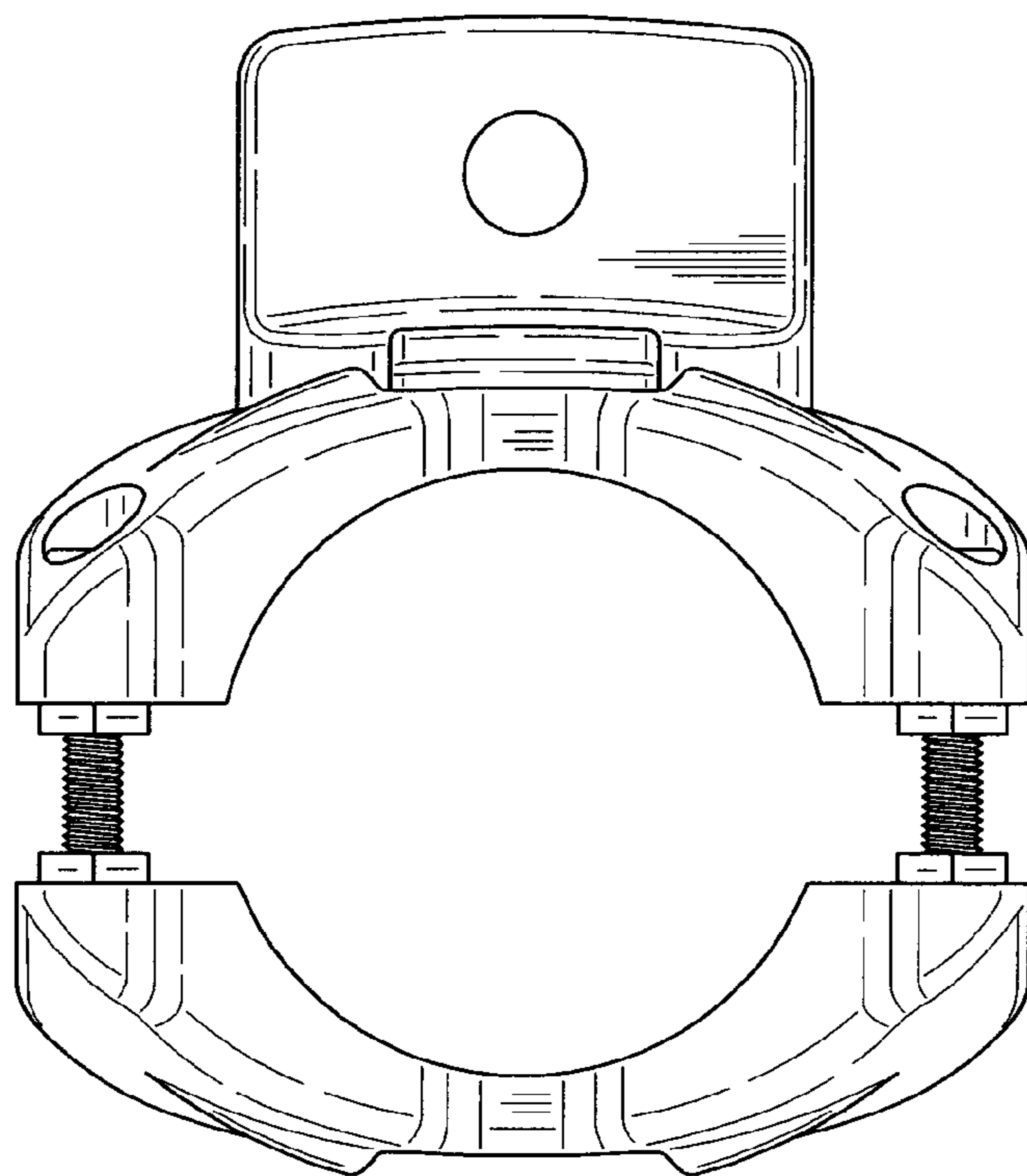


FIG. 6

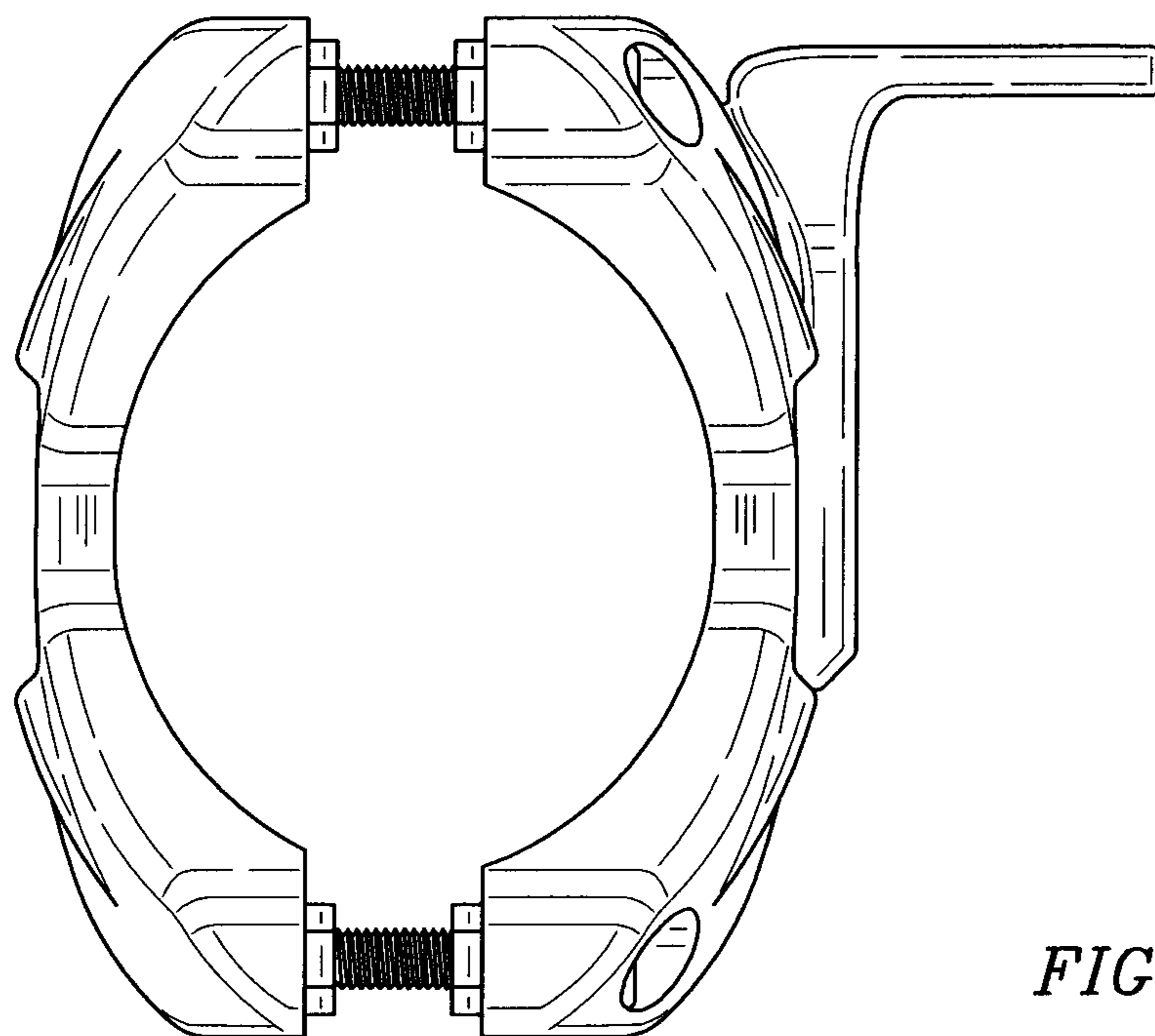


FIG. 7

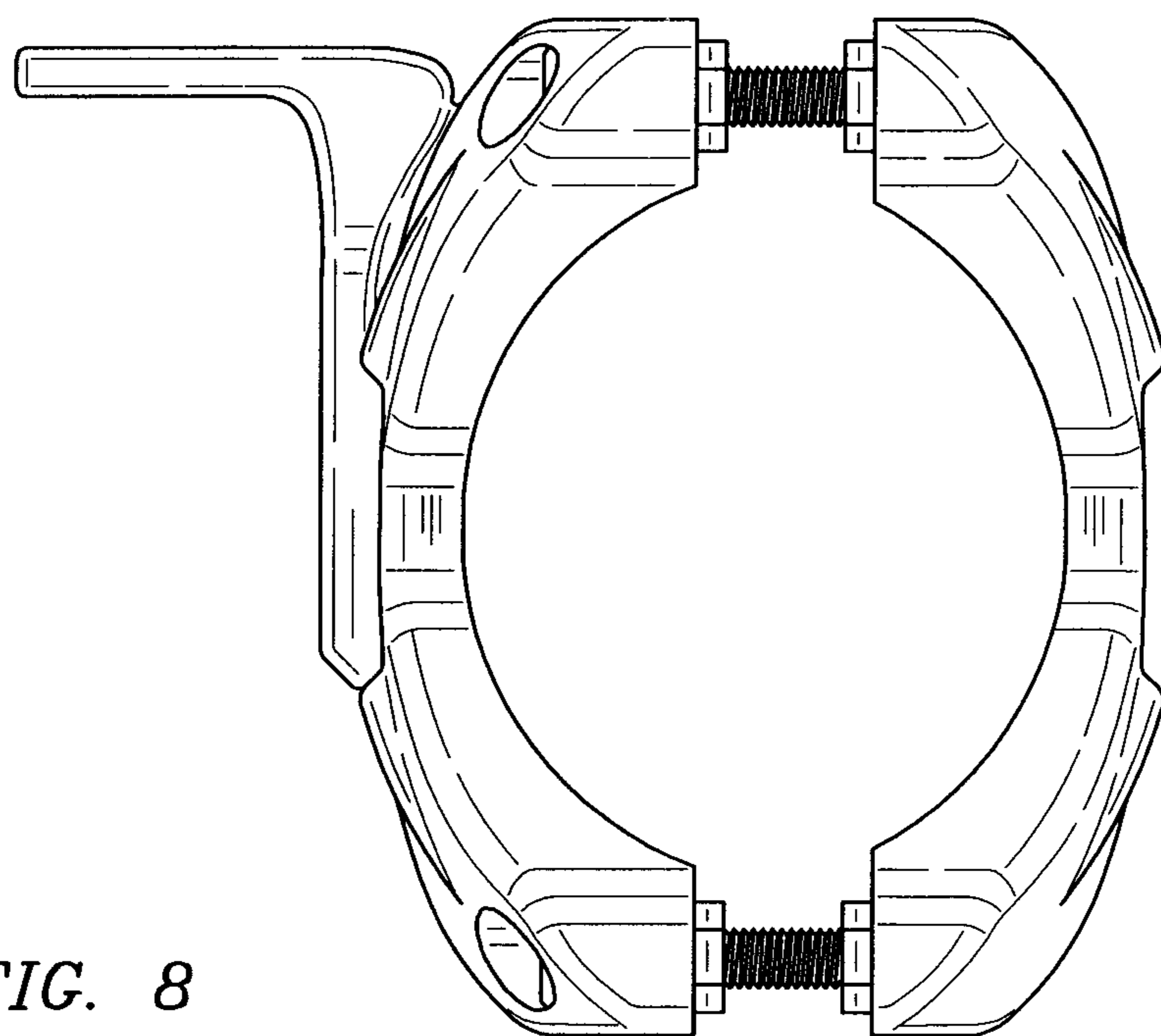


FIG. 8