



US00D773109S

(12) **United States Design Patent**
Hu

(10) **Patent No.:** **US D773,109 S**

(45) **Date of Patent:** **** Nov. 29, 2016**

(54) **MIXING LIGHT PLATE FOR LED PLANT LAMP**

(71) Applicant: **Dongwen Hu**, Guangdong (CN)

(72) Inventor: **Dongwen Hu**, Guangdong (CN)

(**) Term: **15 Years**

(21) Appl. No.: **29/533,904**

(22) Filed: **Jul. 23, 2015**

(51) **LOC (10) Cl.** **26-99**

(52) **U.S. Cl.**
USPC **D26/118**

(58) **Field of Classification Search**

USPC D26/1, 24, 63, 74, 111, 138; D10/111,
D10/113.1, 114.1; D13/179, 180
CPC H05K 1/021; H05K 3/0061; F21V 17/04;
F21V 21/14

See application file for complete search history.

(56) **References Cited**

U.S. PATENT DOCUMENTS

D437,074 S * 1/2001 Johnson D26/74
D563,012 S * 2/2008 Citterio D26/63

D574,101 S * 7/2008 Engel D26/63
D578,237 S * 10/2008 Engel D26/63
D647,416 S * 10/2011 Kim D10/111
D648,240 S * 11/2011 Kim D10/111
D648,644 S * 11/2011 Kim D10/111
D673,067 S * 12/2012 Kim D10/111
D699,880 S * 2/2014 Szoke D26/74
D715,482 S * 10/2014 Kuo D26/138

* cited by examiner

Primary Examiner — Brian N Vinson

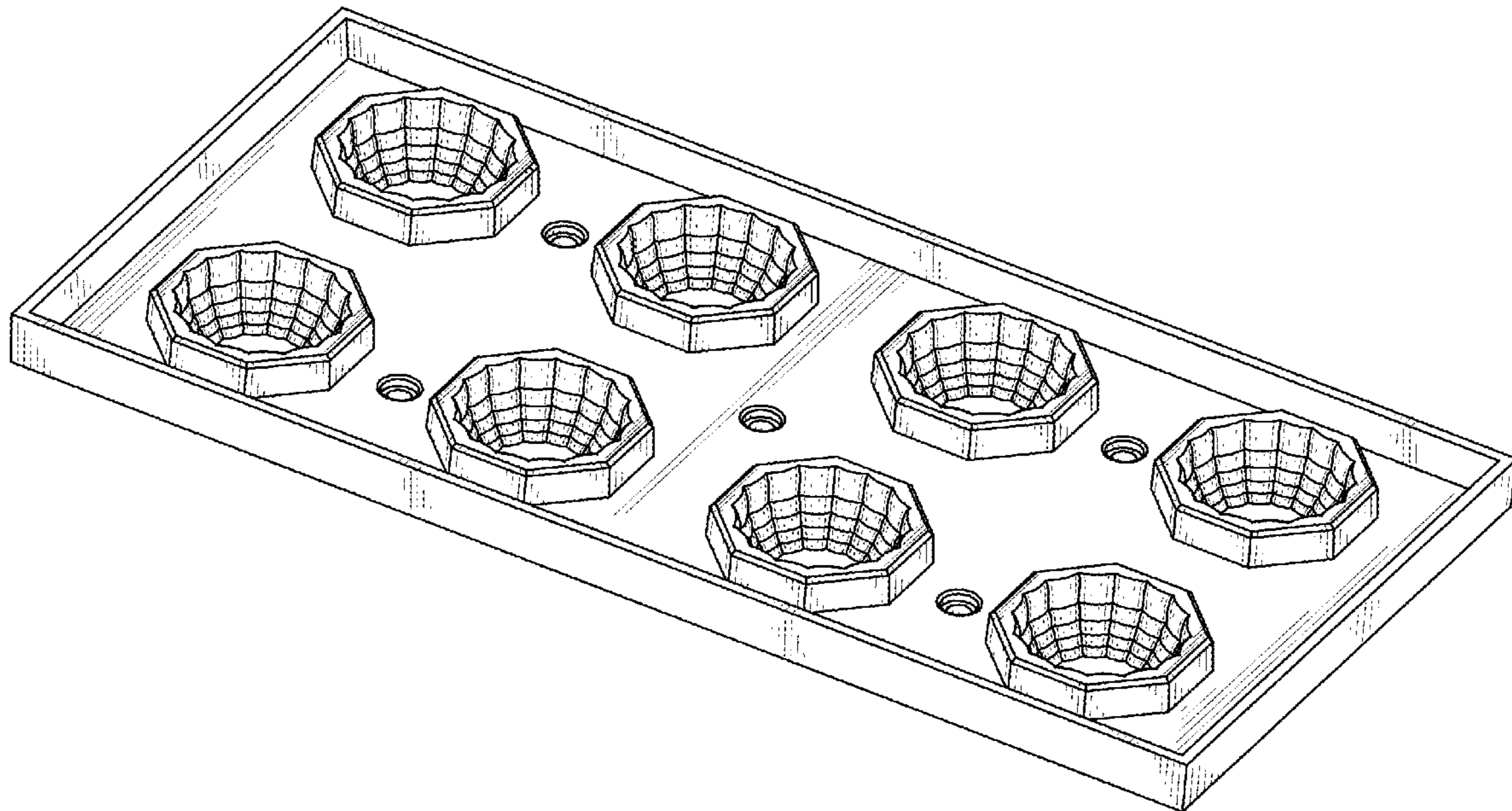
(57) **CLAIM**

The ornamental design for a mixing light plate for LED plant lamp, as shown and described.

DESCRIPTION

FIG. 1 is a first perspective view of a mixing light plate for LED plant lamp showing my new design; FIG. 2 is a second perspective view thereof; FIG. 3 is a front elevational view thereof; FIG. 4 is a rear elevational view thereof; FIG. 5 is a left side view thereof; FIG. 6 is a right side view thereof; FIG. 7 is a top plan view thereof; and, FIG. 8 is a bottom plan view thereof.

1 Claim, 8 Drawing Sheets



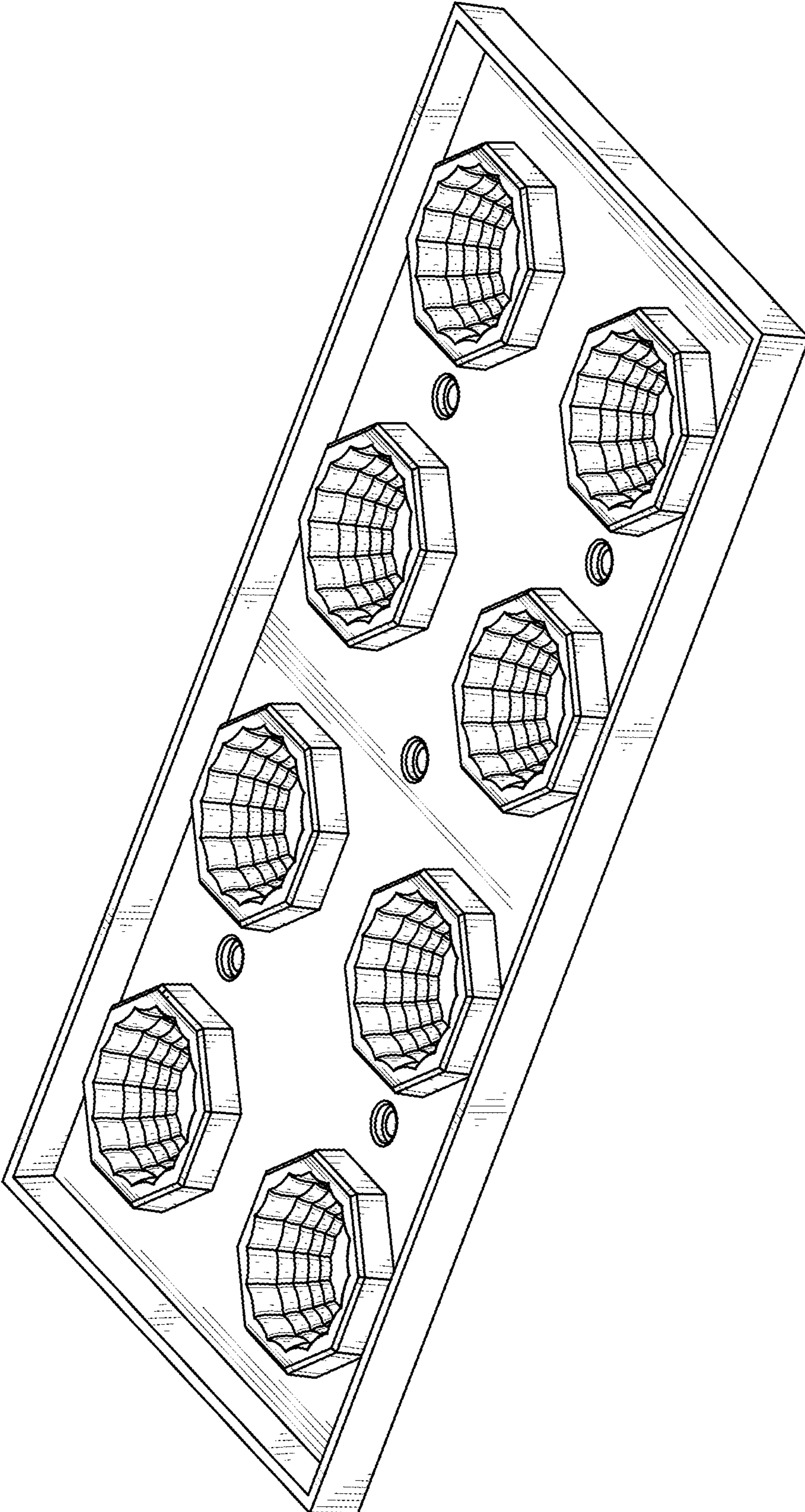


FIG. 1

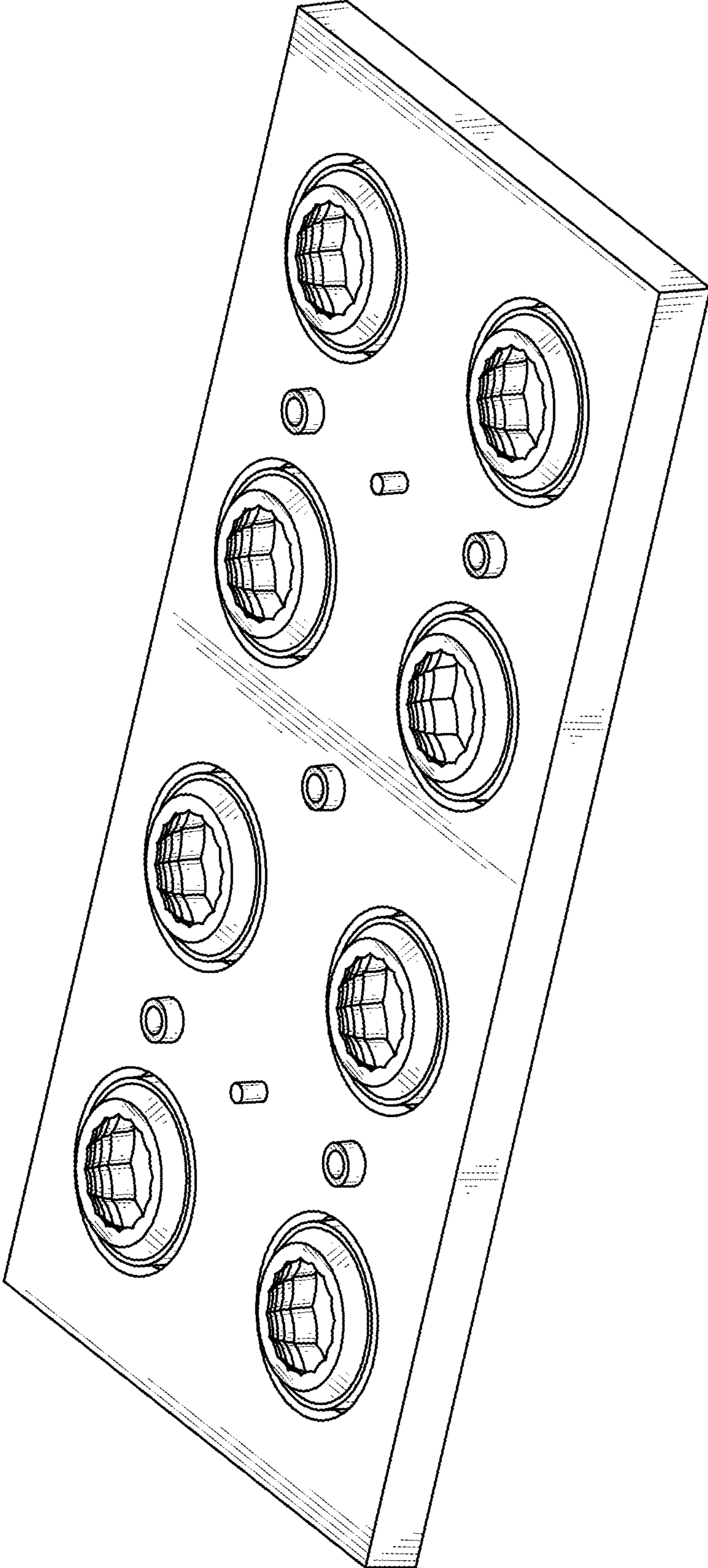


FIG. 2

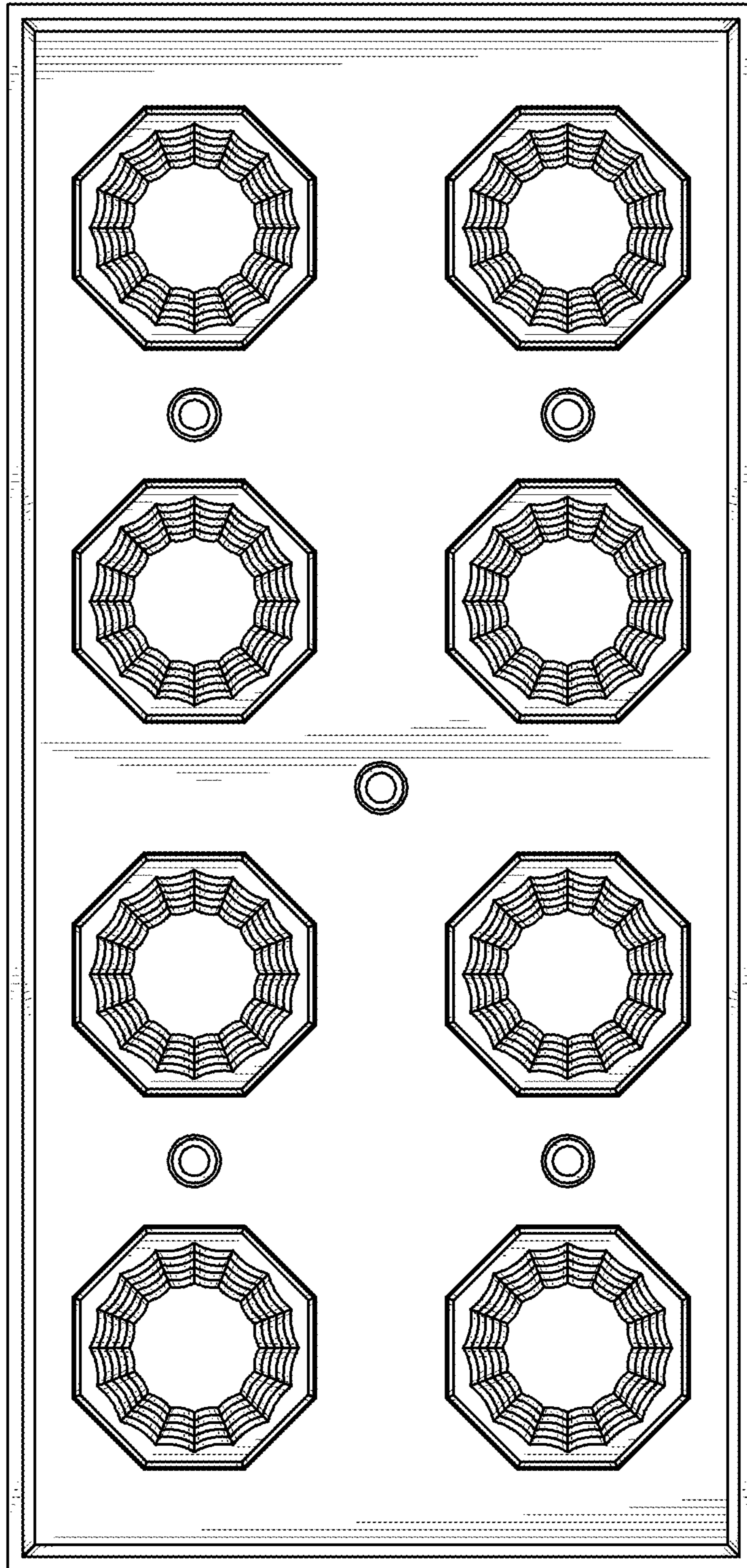


FIG. 3

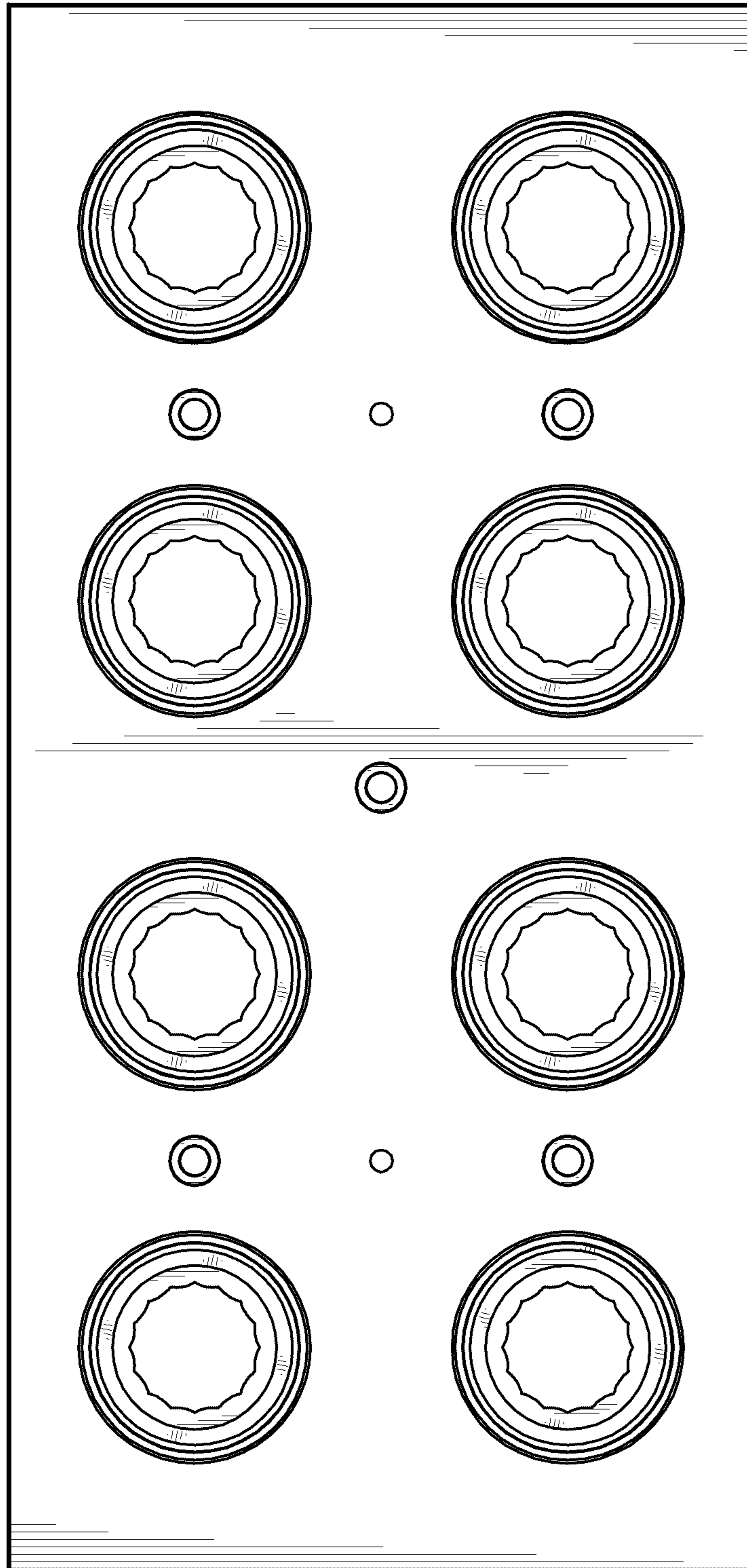


FIG. 4

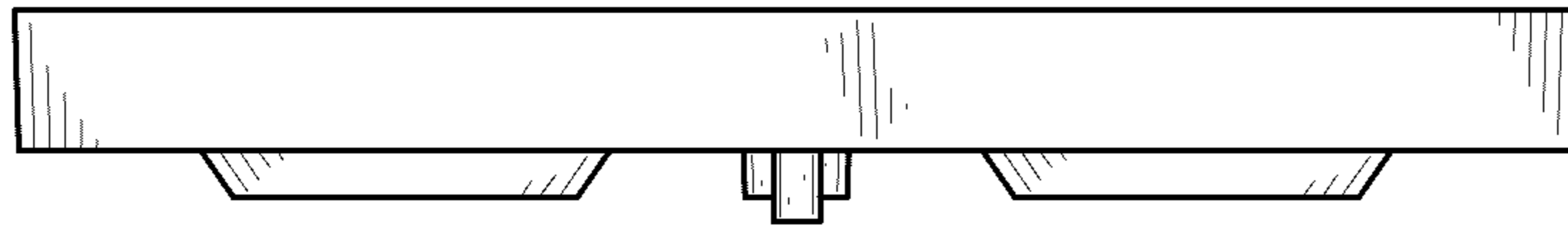


FIG. 5

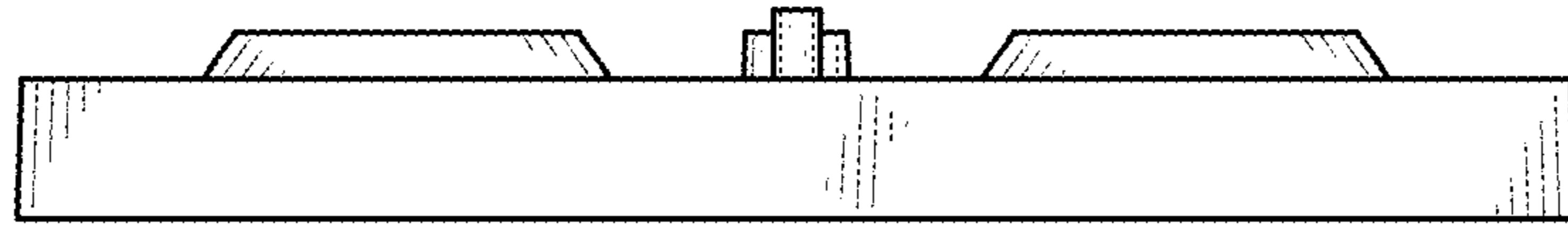


FIG. 6

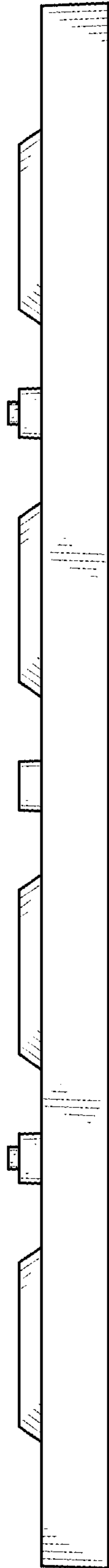


FIG. 7

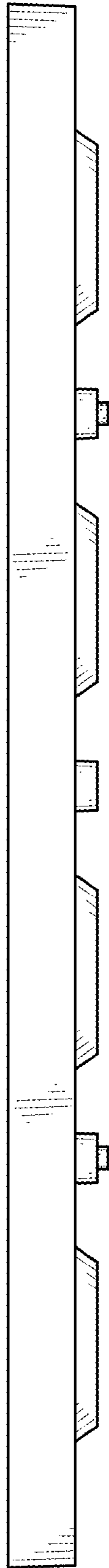


FIG. 8