



US00D773108S

(12) **United States Design Patent** (10) **Patent No.:** **US D773,108 S**
Anderson et al. (45) **Date of Patent:** **** Nov. 29, 2016**

(54) **LIGHT FIXTURE**

(71) Applicant: **JST Performance, LLC**, Gilbert, AZ (US)

(72) Inventors: **Taylor W. Anderson**, Mesa, AZ (US); **Eric G. Lokken**, Phoenix, AZ (US); **Zach S. Luellen**, San Tan Valley, AZ (US); **Christopher P. Largent**, Phoenix, AZ (US); **Seth W. Anderson**, Mesa, AZ (US); **Stephen P. Adams**, Mesa, AZ (US)

(73) Assignee: **JST Performance, LLC**, Gilbert, AZ (US)

(**) Term: **15 Years**

(21) Appl. No.: **29/530,566**

(22) Filed: **Jun. 17, 2015**

(51) **LOC (10) Cl.** **26-99**

(52) **U.S. Cl.**
USPC **D26/118**

(58) **Field of Classification Search**
USPC D26/1, 24, 61, 63, 65, 85, 92, 118
CPC F21V 21/14; F21V 15/01; F21V 14/02;
F21V 21/30; F21V 21/00; F21V 14/00;
F21S 8/00; F21S 8/003; F21S 8/043; F21Y
2105/001

See application file for complete search history.

(56) **References Cited**

U.S. PATENT DOCUMENTS

D190,922 S * 7/1961 Anthony D26/24
D255,278 S * 6/1980 Alzman D26/28
D355,502 S * 2/1995 Liao D26/63

D465,592 S * 11/2002 Lin D26/65
D643,147 S * 8/2011 Guercio D26/118
D659,280 S * 5/2012 Guercio D26/118
D672,908 S * 12/2012 Wilcox D26/118
D708,385 S * 7/2014 Krogman D26/118
D708,778 S * 7/2014 Sibitzky D26/118
D717,483 S * 11/2014 Barnes D26/72
D734,532 S * 7/2015 Gordin D26/118
D739,594 S * 9/2015 Adams D26/118

* cited by examiner

Primary Examiner — Brian N Vinson

(57) **CLAIM**

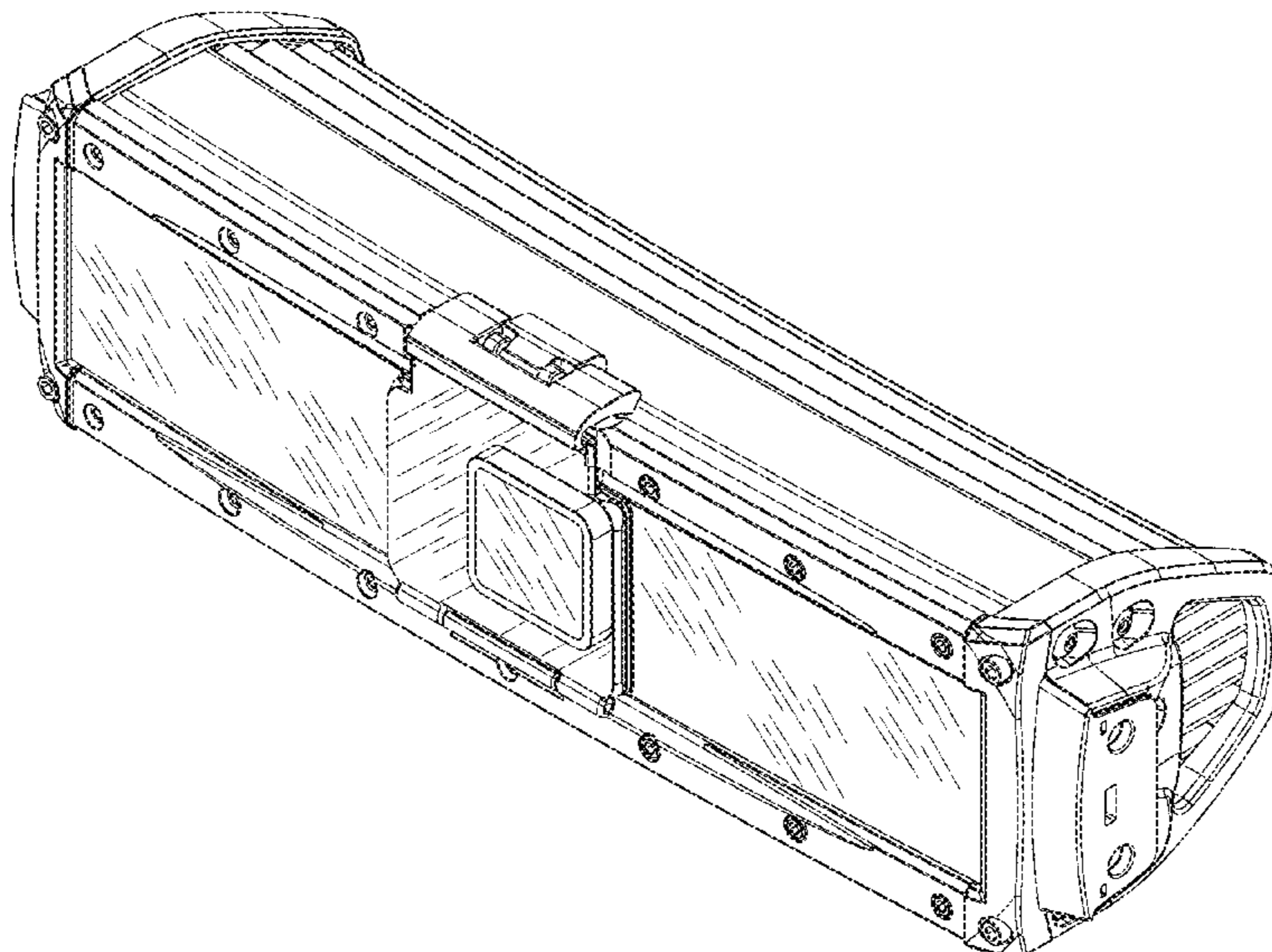
The ornamental design for a light fixture, as shown and described.

DESCRIPTION

FIG. 1 is a front, right, top perspective view a light fixture showing our new design;
FIG. 2 is a front, left, top perspective view thereof;
FIG. 3 is a front, right, bottom perspective view thereof;
FIG. 4 is a front, left, bottom perspective view thereof;
FIG. 5 is a back, right, top perspective view thereof;
FIG. 6 is a back, left, top perspective view thereof;
FIG. 7 is a back, right, bottom perspective view thereof;
FIG. 8 is a back, left, bottom perspective view thereof;
FIG. 9 is a front side view thereof;
FIG. 10 is a back side view thereof;
FIG. 11 is a left side view thereof;
FIG. 12 is a right side view thereof;
FIG. 13 is a top view thereof; and,
FIG. 14 is a bottom view thereof.

The broken lines showing environment in the drawings are for illustrative purposes only and form no part of the claimed design.

1 Claim, 14 Drawing Sheets



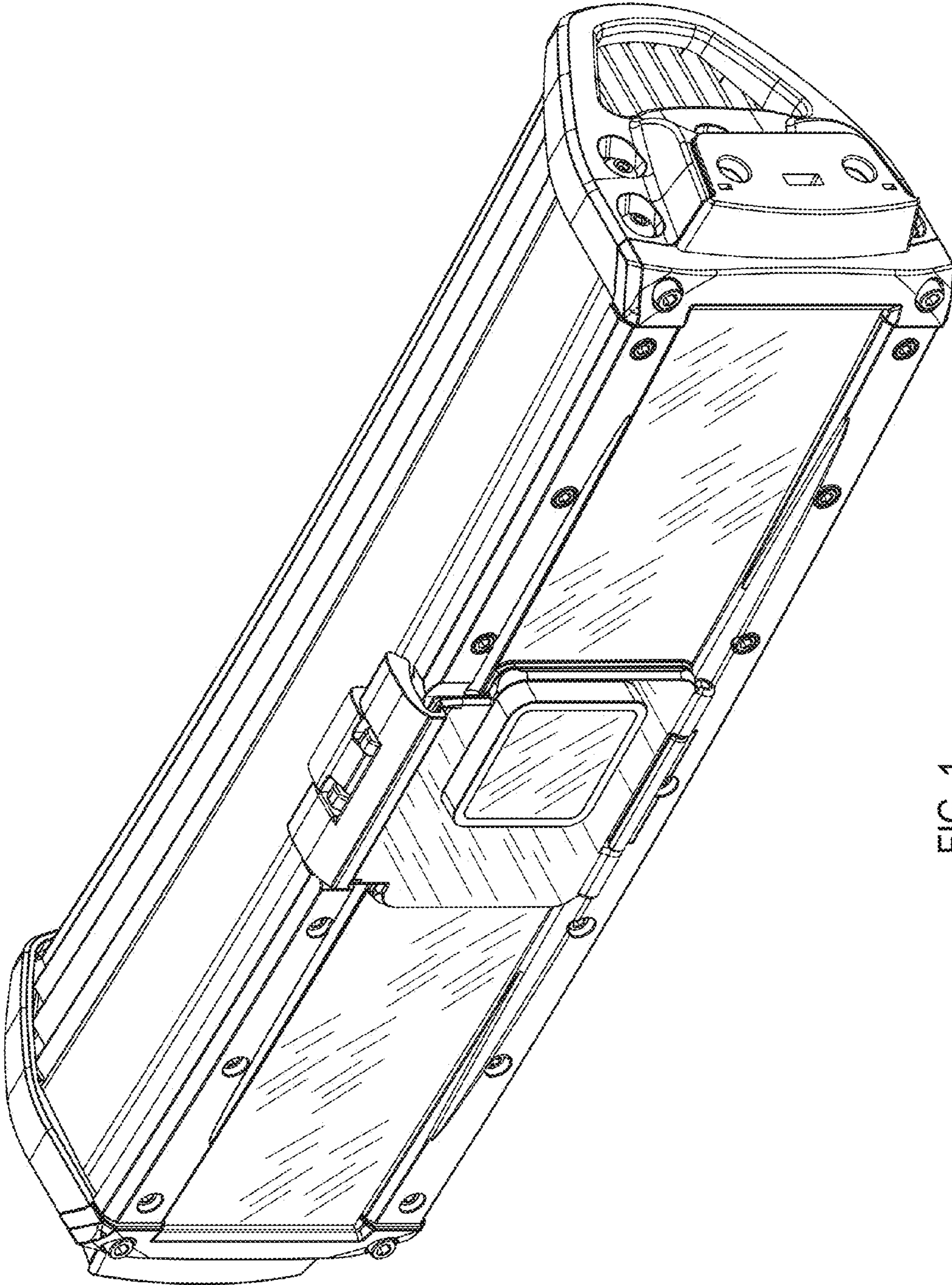


FIG. 1

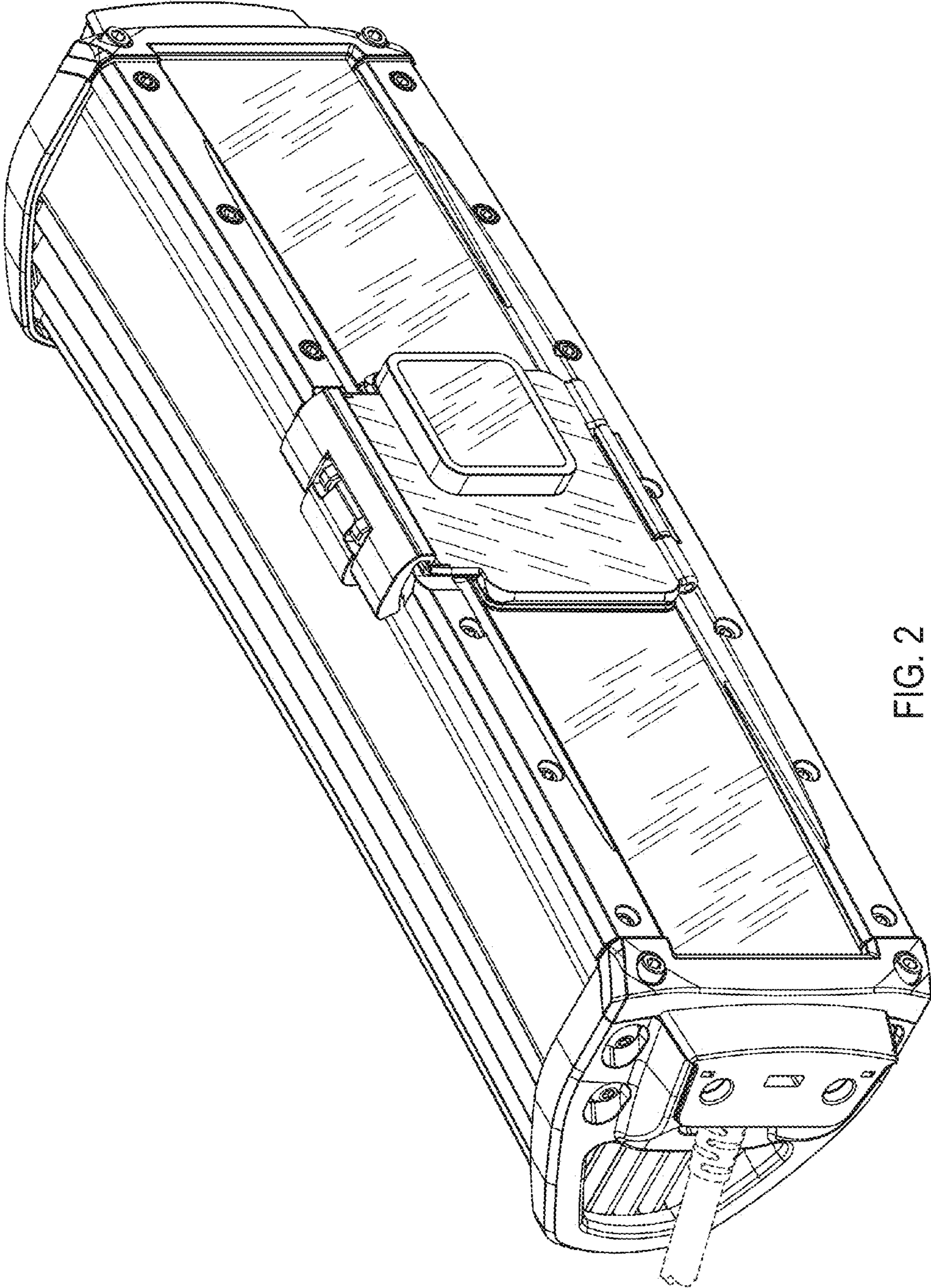


FIG. 2

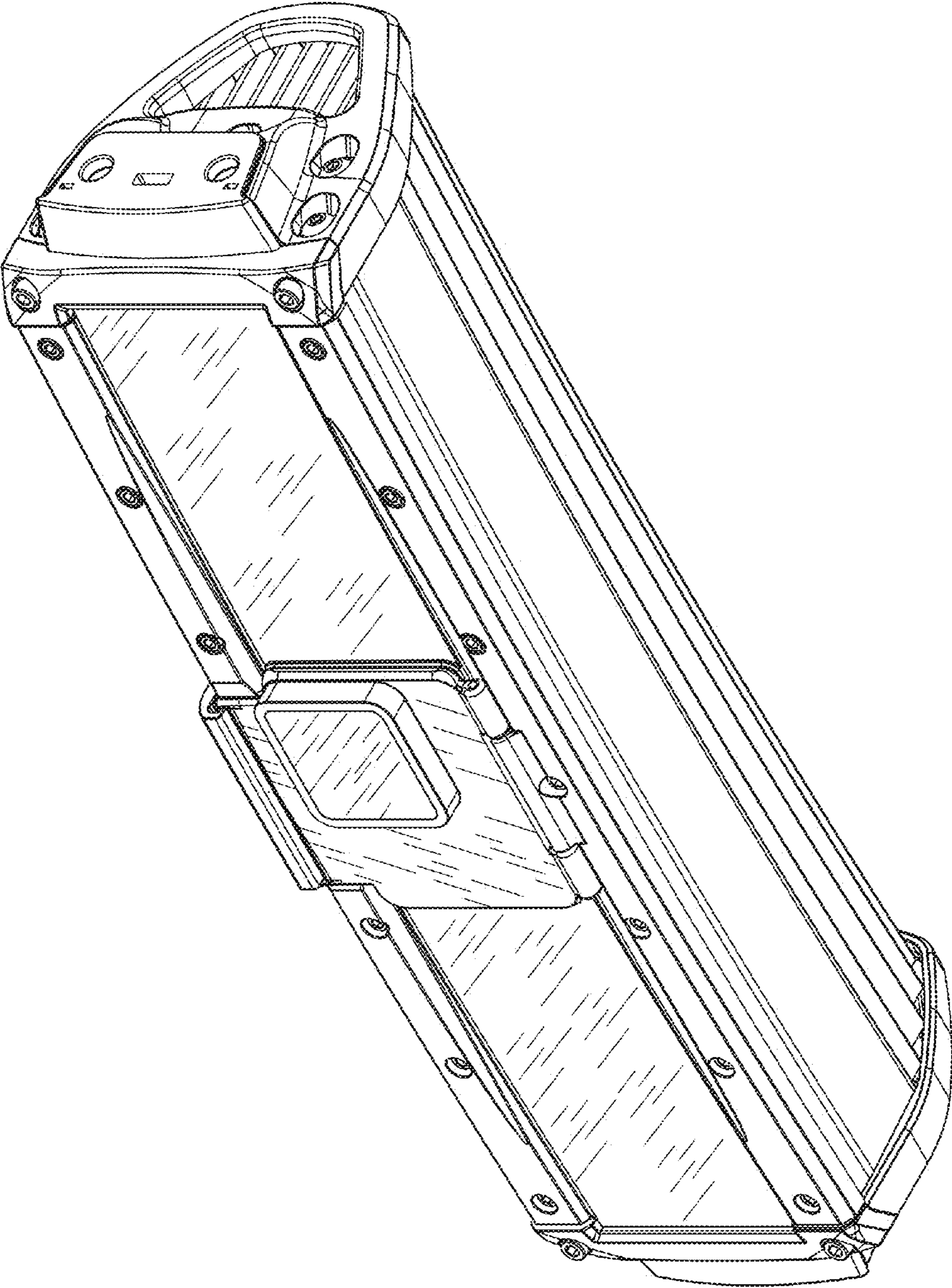


FIG. 3

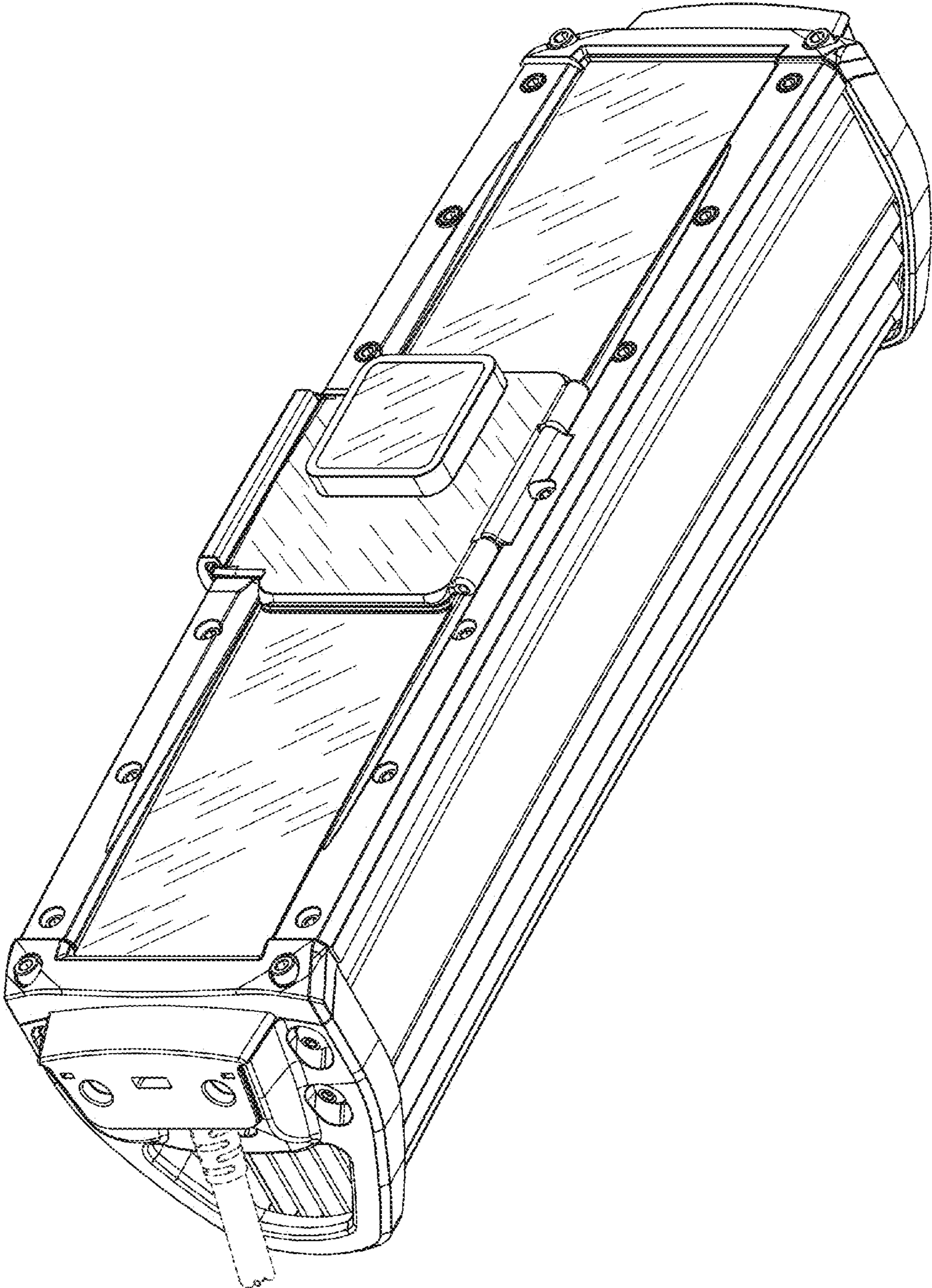


FIG. 4

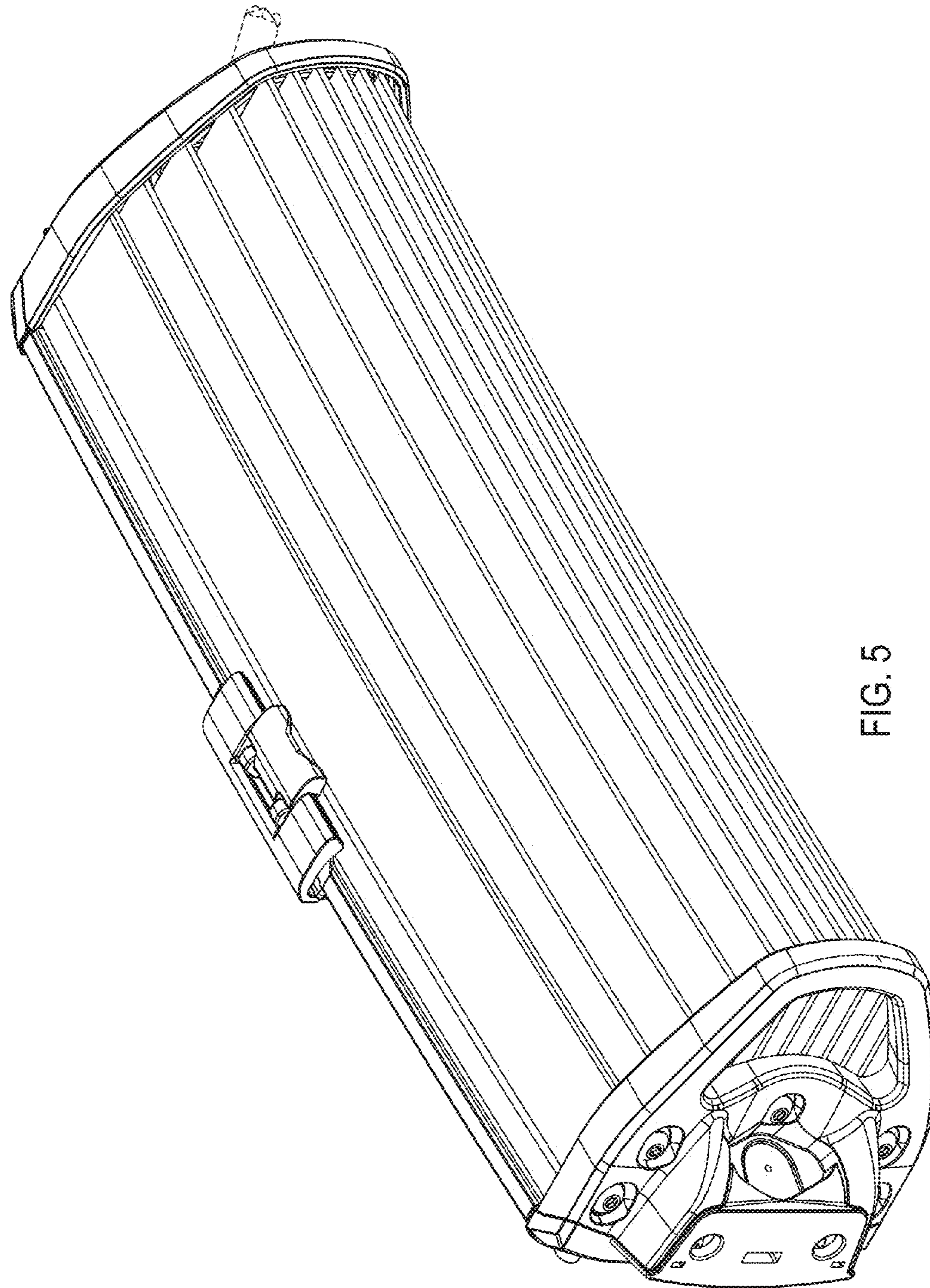


FIG. 5

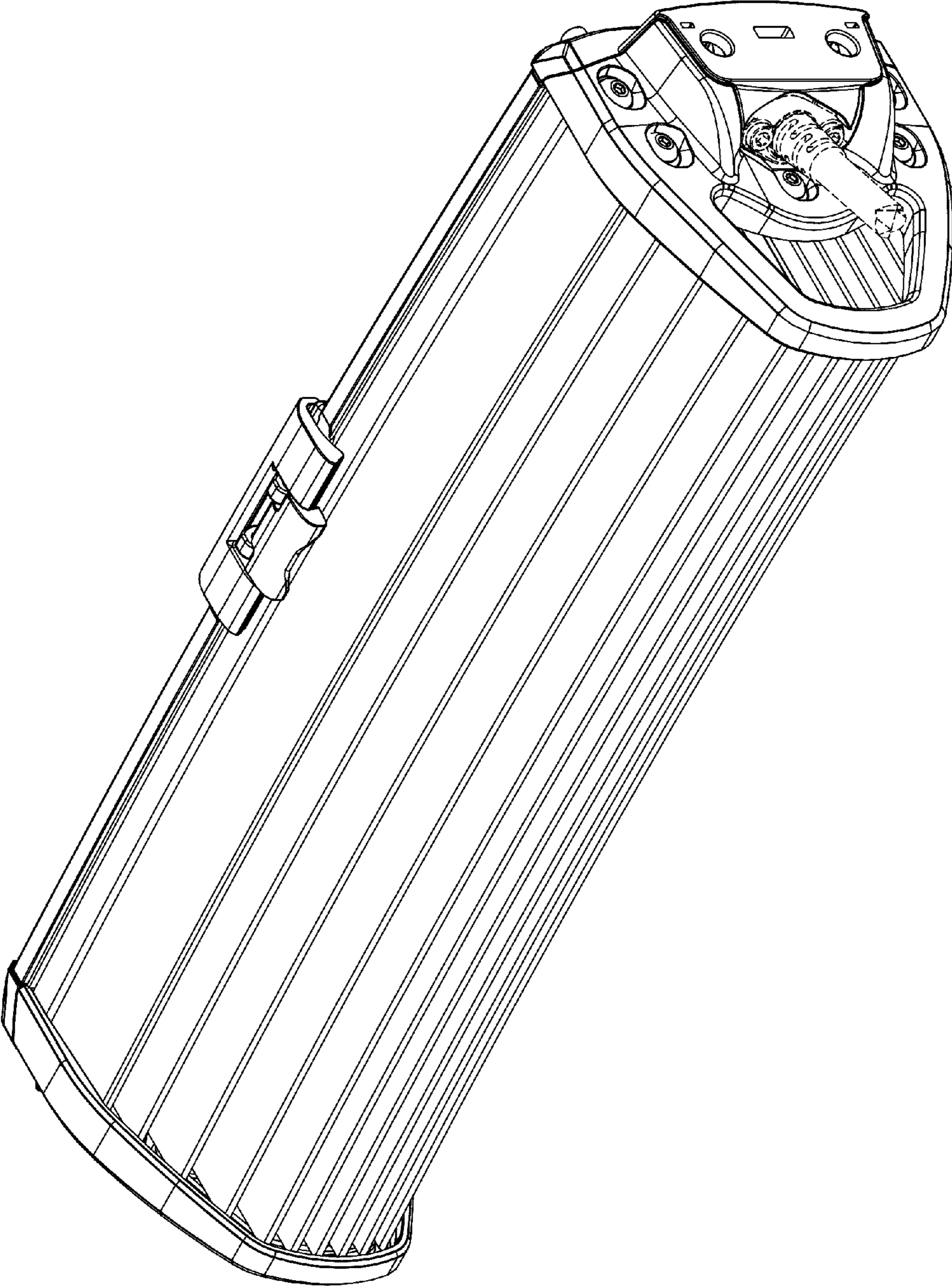


FIG. 6

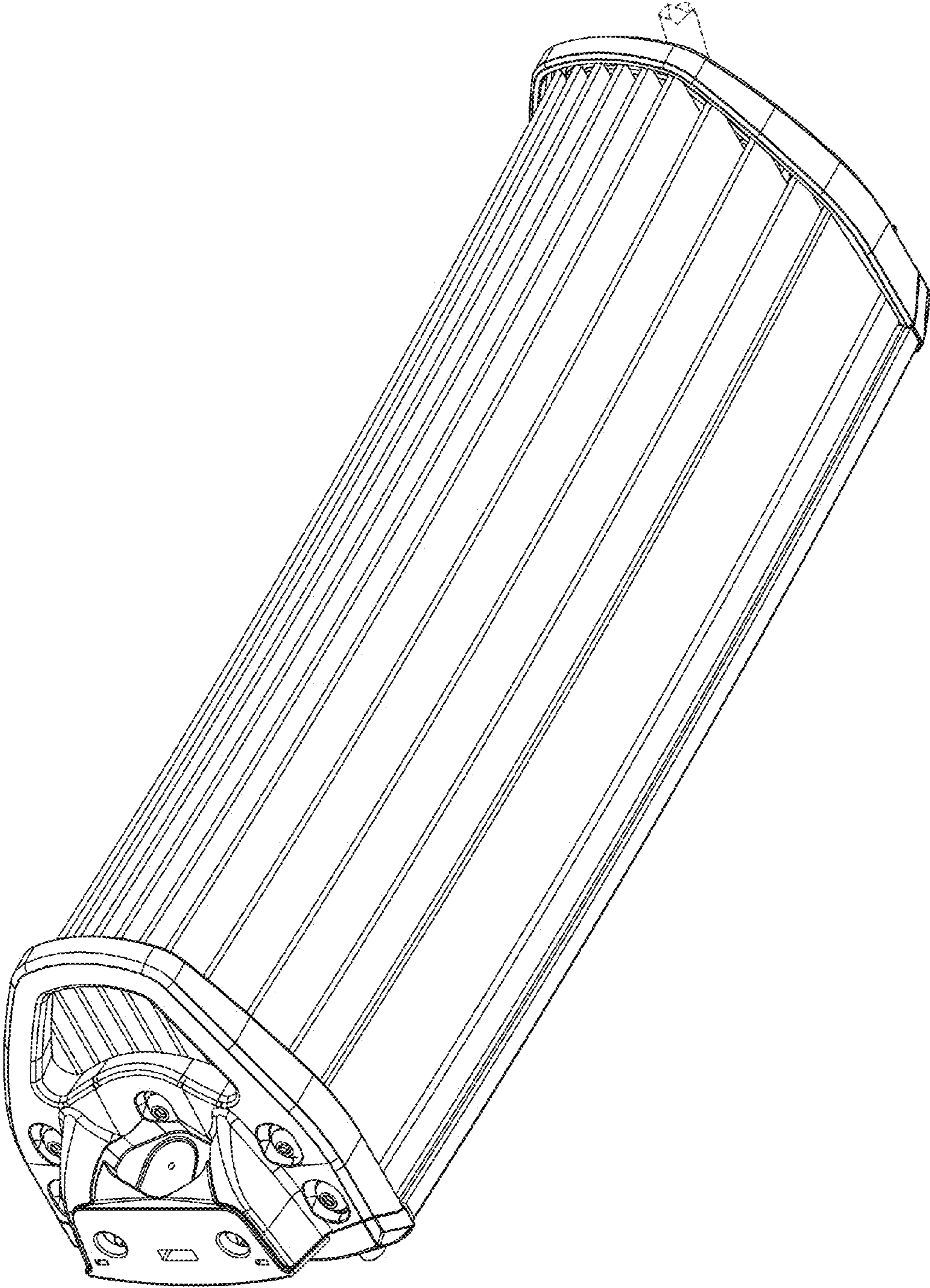


FIG. 7

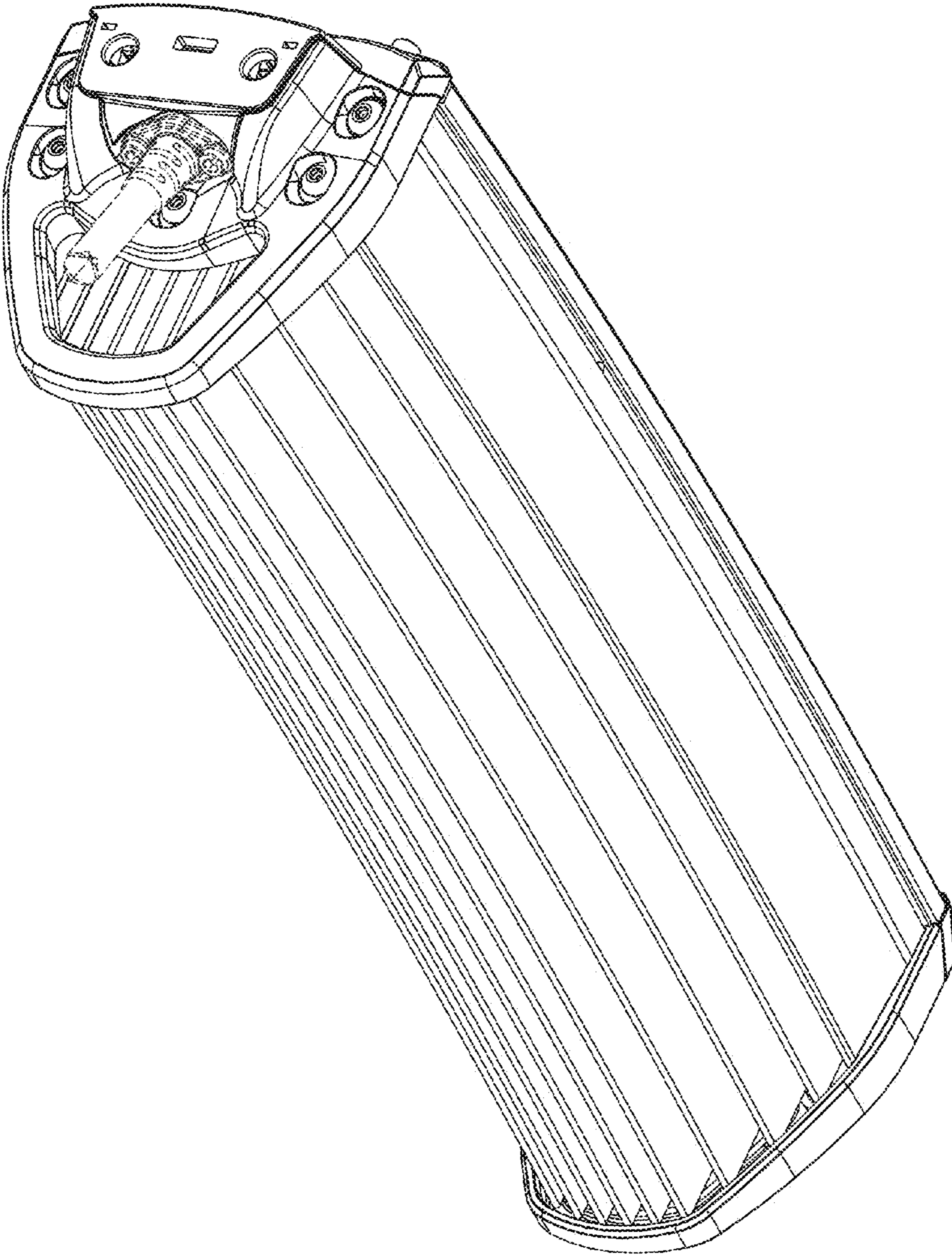


FIG. 8

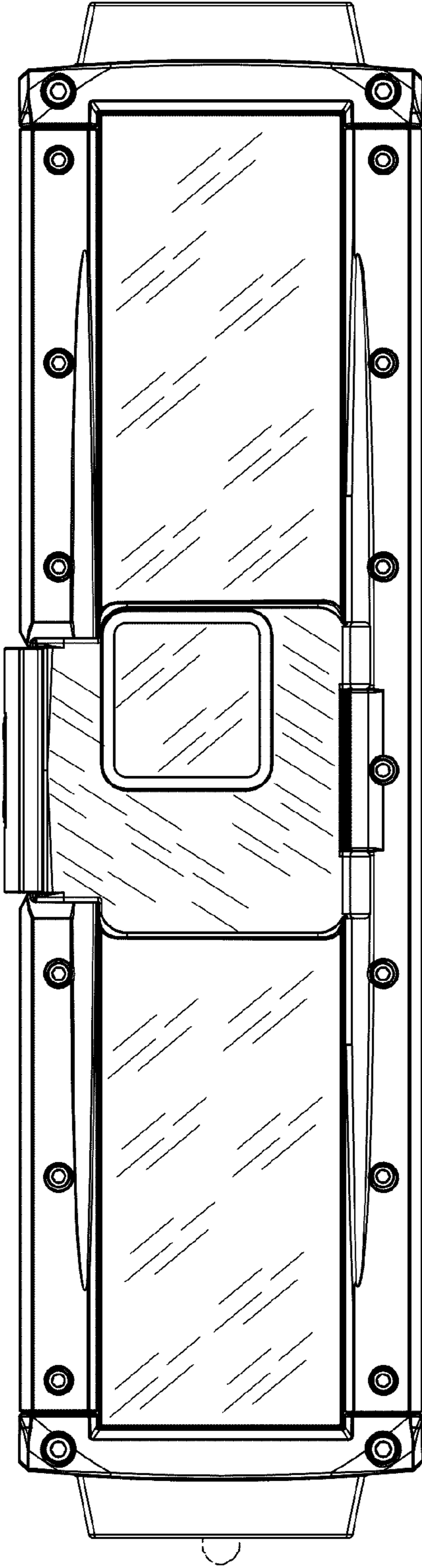


FIG. 9

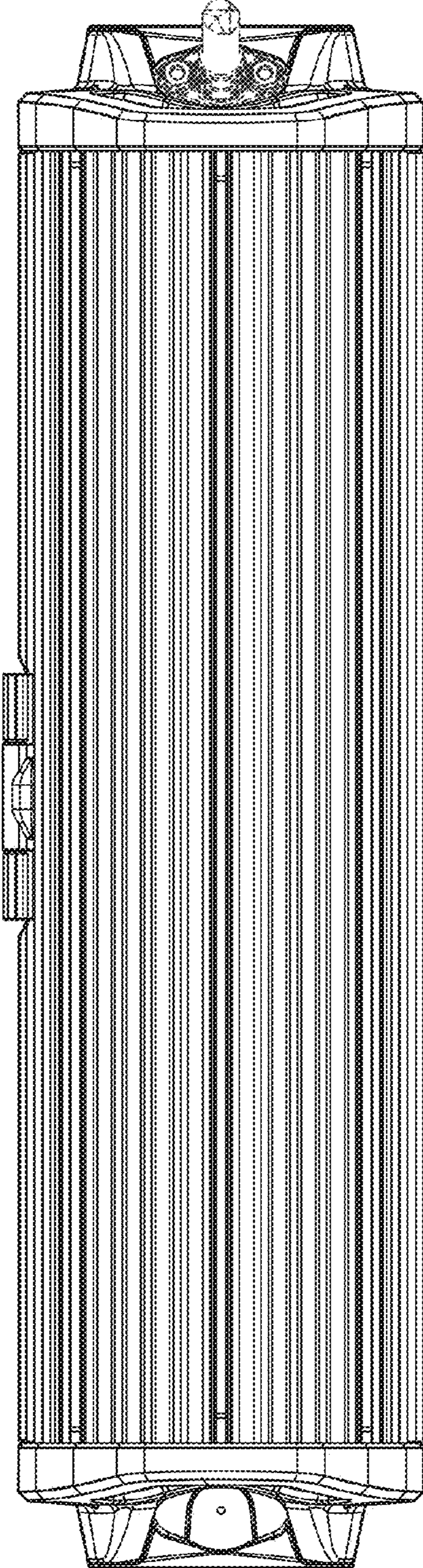


FIG. 10

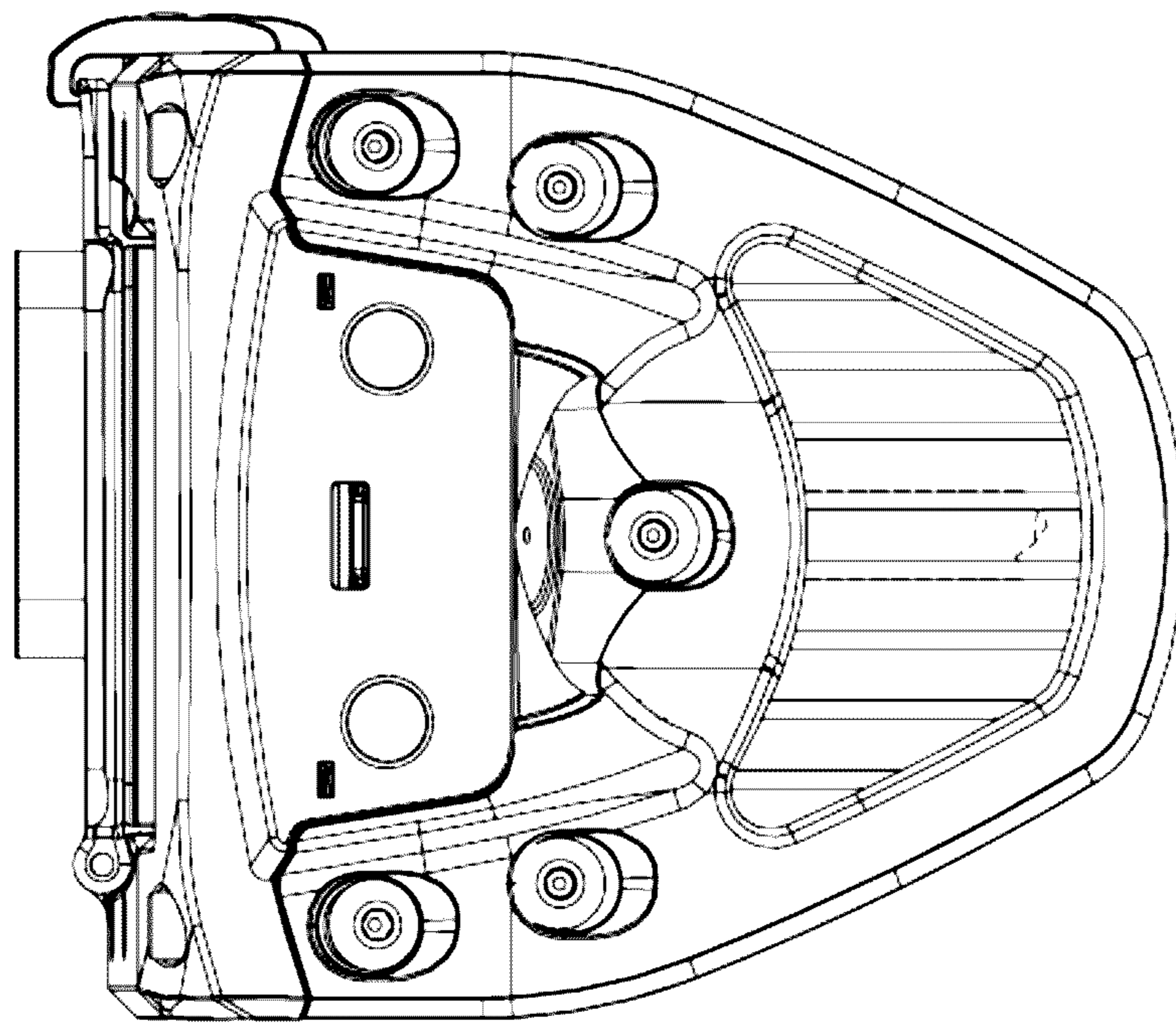


FIG. 11

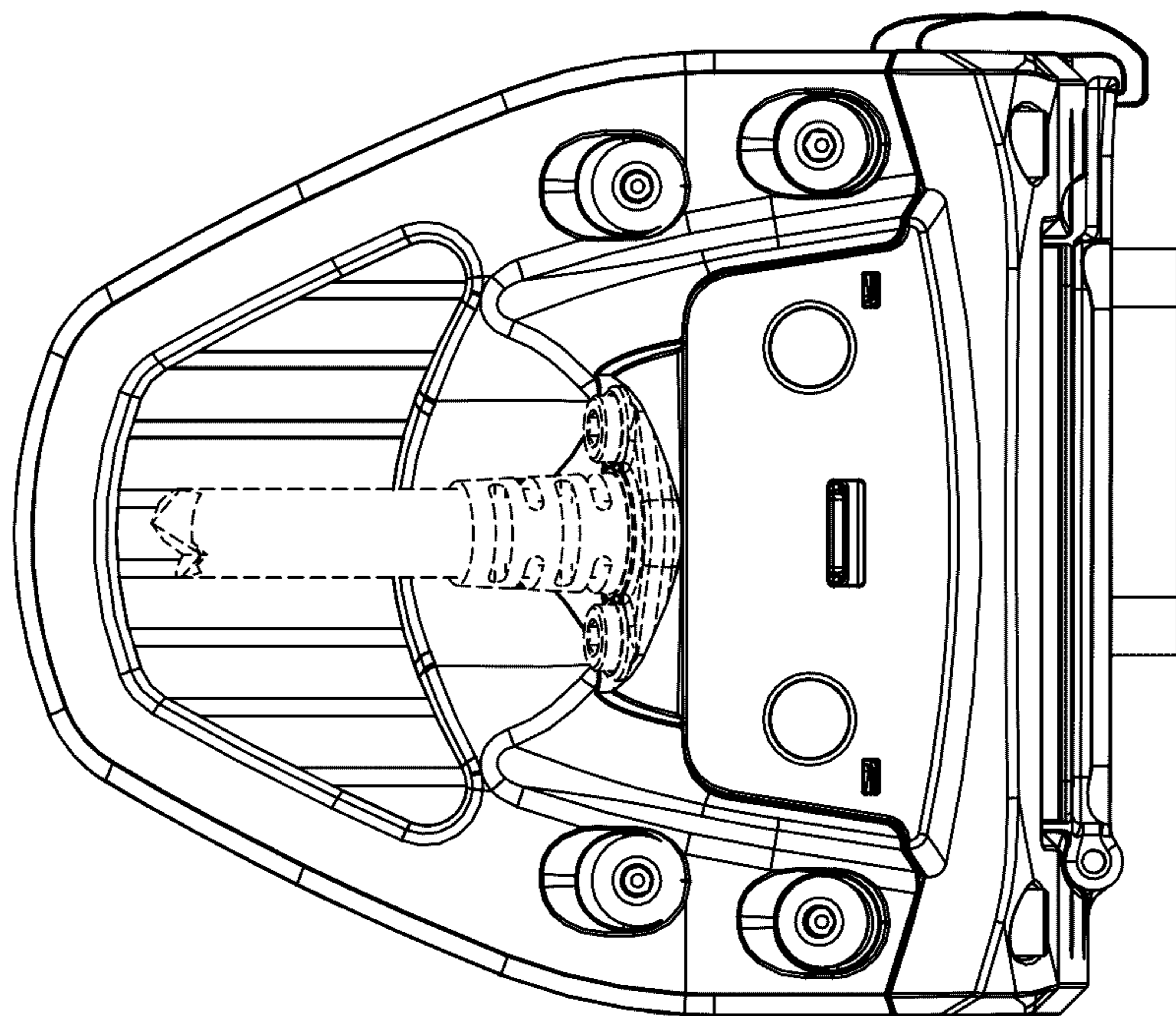


FIG. 12

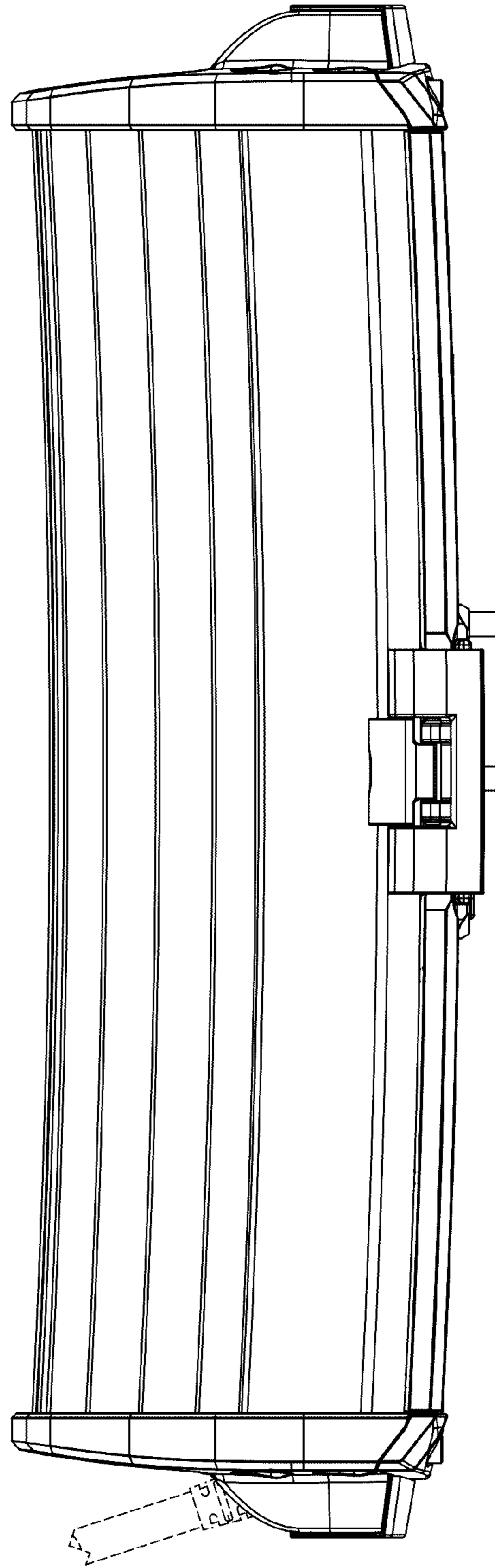


FIG. 13

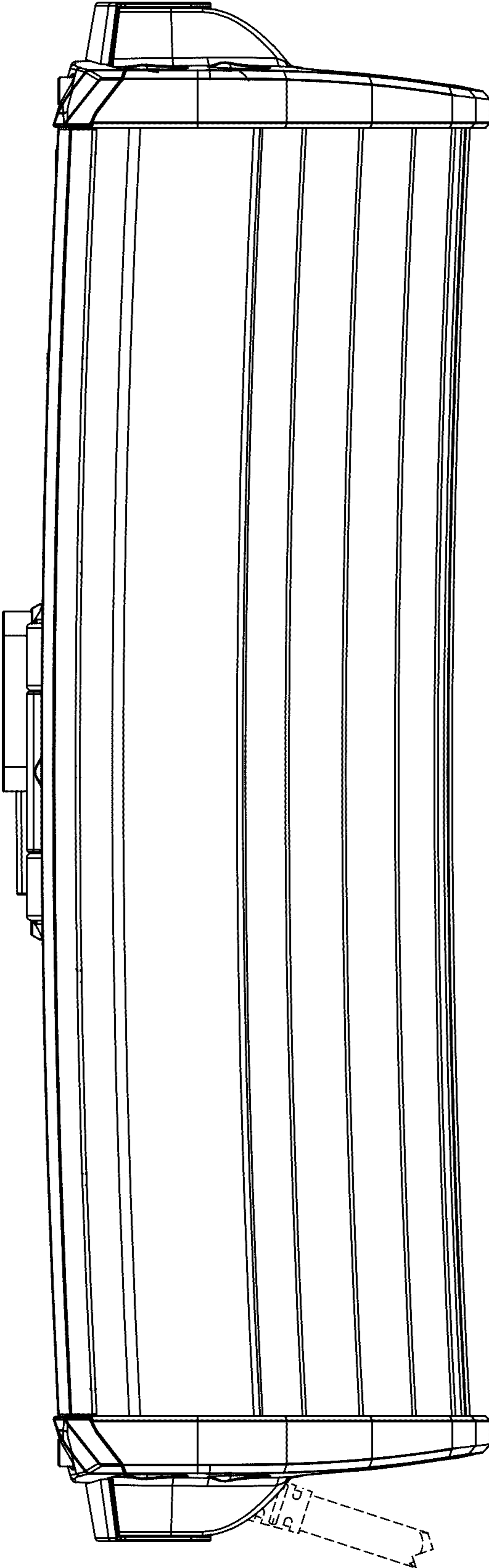


FIG. 14