



US00D773107S

(12) **United States Design Patent** (10) **Patent No.:** **US D773,107 S**  
**Stanley** (45) **Date of Patent:** **\*\* Nov. 29, 2016**

(54) **HORTICULTURE GROW LIGHT**

(71) Applicant: **IP Holdings, LLC**, Vancouver, WA (US)  
(72) Inventor: **John Stanley**, Vancouver, WA (US)  
(73) Assignee: **IP Holdings, LLC**, Vancouver, WA (US)

(\*\*) Term: **14 Years**

(21) Appl. No.: **29/523,707**

(22) Filed: **Apr. 13, 2015**

(51) **LOC (10) Cl.** ..... **29-99**

(52) **U.S. Cl.**  
USPC ..... **D26/118**

(58) **Field of Classification Search**  
USPC ..... D26/9, 10, 12, 13, 15, 16, 24, 51, 61,  
D26/72, 76, 80, 81, 85, 86, 88, 90, 113, 118,  
D26/119, 120, 122, 128, 129, 138, 143, 144  
CPC ..... B60Q 1/04; B60Q 1/26; F21S 8/026;  
F21S 8/04; F21V 29/004; F21V 21/02;  
F21V 21/04; F21V 29/2212; F21V 7/22;  
F21V 29/83; F21V 37/002; F21V 7/00;  
F21L 19/00; F23D 11/443; F21Y 2101/02;  
A61L 9/037

See application file for complete search history.

(56) **References Cited**

**U.S. PATENT DOCUMENTS**

32,722 A 7/1861 Schmidlin  
D46,253 S 8/1914 Opp  
1,410,945 A 3/1922 Mayfield  
1,547,026 A 7/1925 Canney  
D85,049 S 9/1931 Kopp

(Continued)

**FOREIGN PATENT DOCUMENTS**

CA 2034710 A1 8/1991  
CA 1314529 C 3/1993

(Continued)

**OTHER PUBLICATIONS**

Apollo Horticulture GLRCTAC 6" Air Cool Tube Grow Light Deluxe Glass Cylinder with Hood Reflector, image post date Oct. 15, 2010, site visted Oct. 3, 2014, (online), <[http://www.amazon.com/apollo-horticulture-glrcac-cylinder-reflector/dp/b003qkvv04/ref=pd\\_sbs\\_lg\\_5?ie=utf8&refrid=1y9v9qhh4n5vnctjmfr](http://www.amazon.com/apollo-horticulture-glrcac-cylinder-reflector/dp/b003qkvv04/ref=pd_sbs_lg_5?ie=utf8&refrid=1y9v9qhh4n5vnctjmfr)>.

(Continued)

*Primary Examiner* — Brian N Vinson

(74) *Attorney, Agent, or Firm* — J. Douglas Wells

(57) **CLAIM**

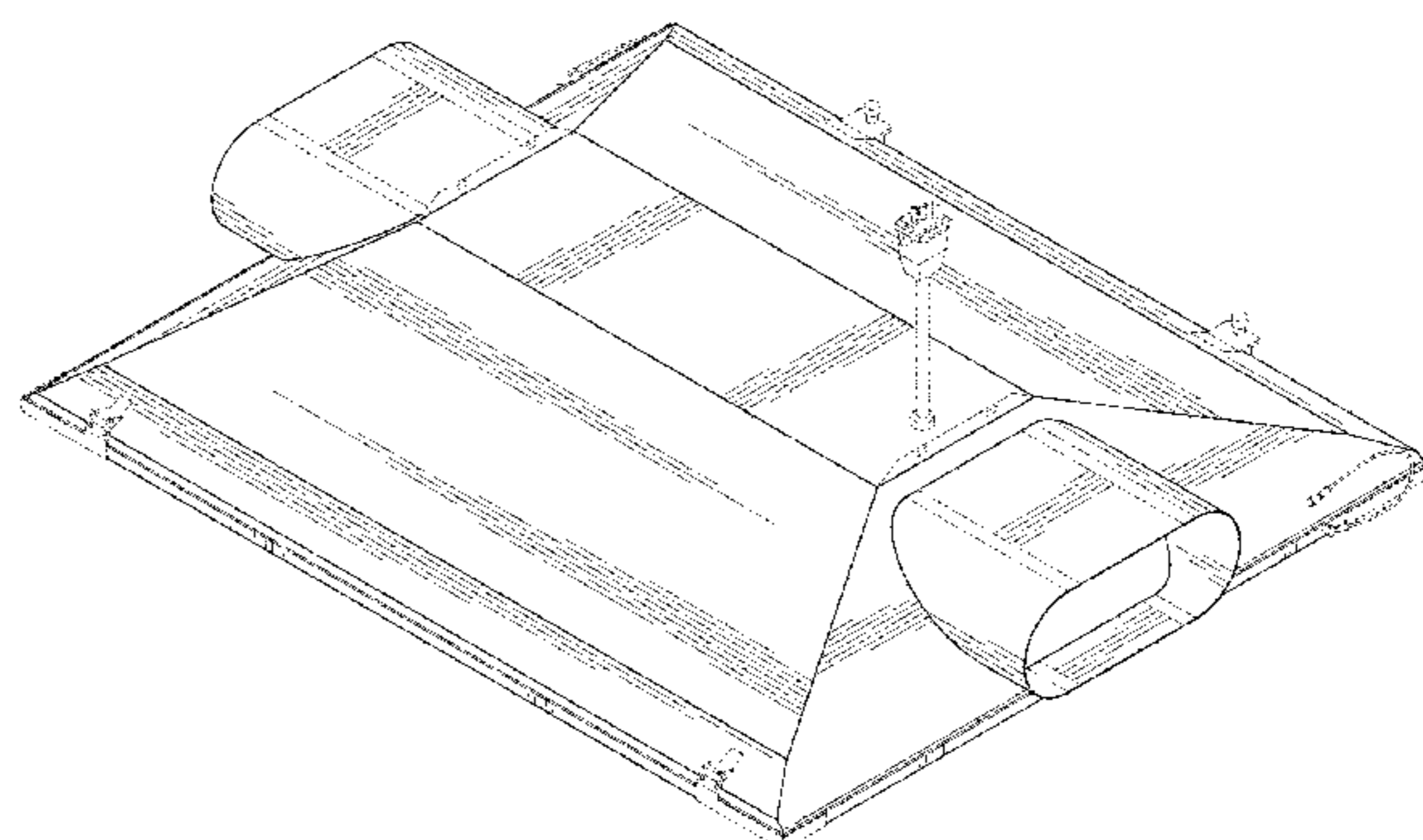
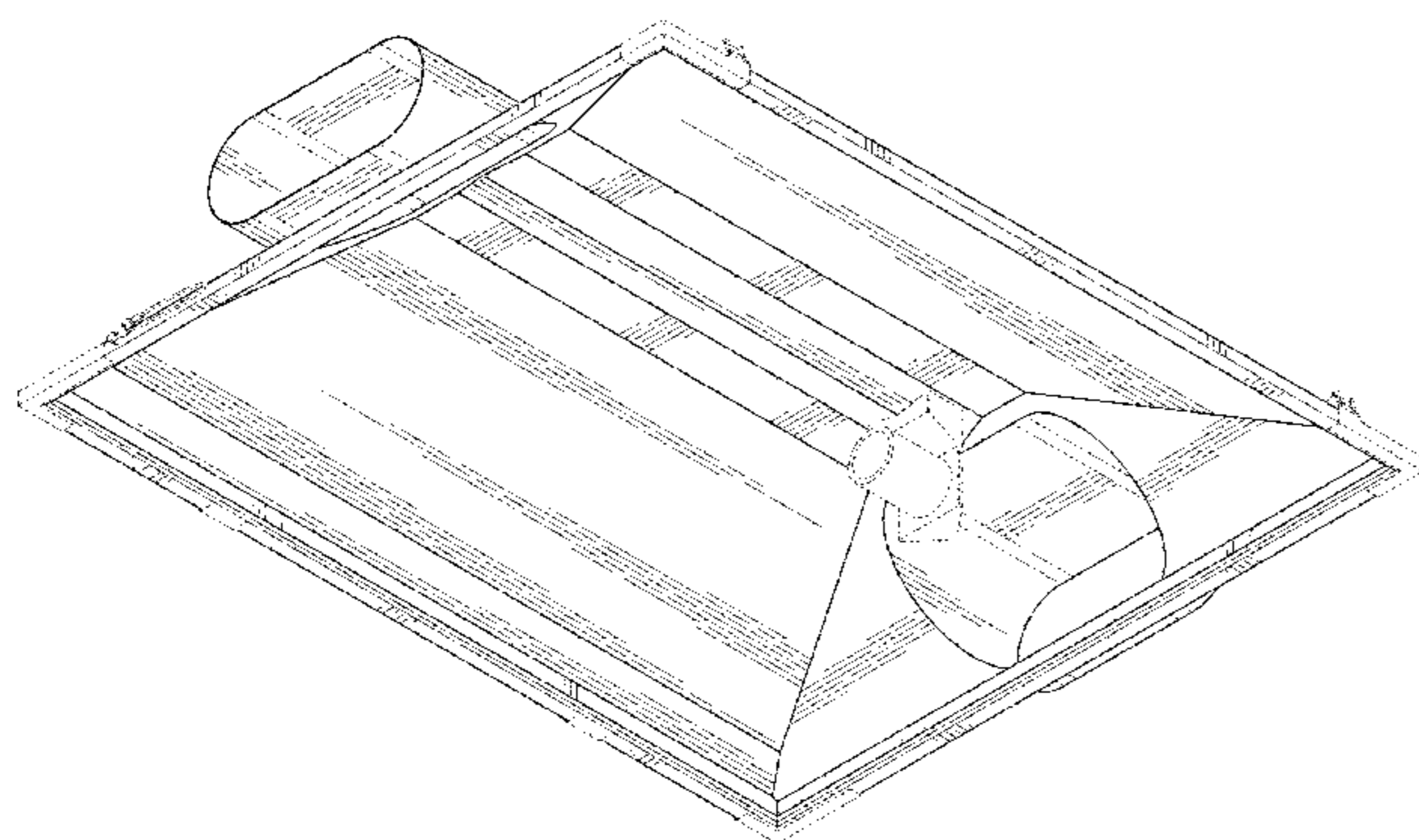
The ornamental design for a horticulture grow light, as shown and described.

**DESCRIPTION**

FIG. 1 is a perspective view of a horticulture grow light, as viewed from below, showing my new design;  
FIG. 2 is a perspective view of the horticulture grow light shown in FIG. 1, as viewed from above;  
FIG. 3 is a left side view of the horticulture grow light shown in FIG. 1;  
FIG. 4 is a right side view of the horticulture grow light shown in FIG. 1;  
FIG. 5 is a front elevation view of the horticulture grow light shown in FIG. 1;  
FIG. 6 is a rear elevation view of the horticulture grow light shown in FIG. 1;  
FIG. 7 is a top plan view of the horticulture grow light shown in FIG. 1; and,  
FIG. 8 is a bottom plan view of the horticulture grow light shown in FIG. 1.

The broken-line disclosure shown in the views is understood to represent portions of the article in which the claimed design is embodied, but which form no part of the claimed design.

**1 Claim, 6 Drawing Sheets**



(56)

References Cited

U.S. PATENT DOCUMENTS

D85,382 S	10/1931	Guth	5,896,004 A	4/1999	Feldman et al.	
1,848,734 A	3/1932	Luce	5,924,789 A	7/1999	Thornton	
1,873,310 A	8/1932	Doane	5,932,955 A	8/1999	Berger et al.	
1,930,070 A	10/1933	Zecher	5,938,317 A	8/1999	Thornton	
1,987,705 A	1/1935	Pedersen	D415,304 S	10/1999	Brown	
D106,614 S	10/1937	Waterbury	5,983,564 A	11/1999	Stragnola	
2,194,841 A	3/1940	Welch	5,987,697 A	11/1999	Song et al.	
D119,800 S	4/1940	Carter	5,999,943 A	12/1999	Nori	
D123,768 S	12/1940	Scribner	D418,626 S	1/2000	Herst	
D128,049 S	7/1941	Kurtz	D419,248 S	1/2000	Lyons	
D135,375 S	3/1943	Biller	6,024,468 A	2/2000	Kassay	
2,339,100 A	1/1944	Netting	6,042,250 A	3/2000	Stragnola	
2,348,617 A	5/1944	Furedy	6,051,927 A	4/2000	Graser et al.	
D174,221 S	3/1955	Hatch	6,053,624 A	4/2000	Cronk	
2,740,883 A	4/1956	Kruger	D425,237 S	5/2000	Scott	
2,741,694 A	4/1956	Wiig	D425,652 S	5/2000	Brok	
2,998,511 A	8/1961	Chan	D426,010 S	5/2000	Compton	
3,025,391 A	3/1962	Golko	6,061,690 A	5/2000	Nori	
D193,802 S	10/1962	Thomsen	6,065,849 A	5/2000	Chen	
D195,012 S	4/1963	Hoyle	6,070,173 A	5/2000	Huber	
3,125,301 A	3/1964	Stutter	6,076,944 A	6/2000	Maranon	
3,263,071 A	7/1966	Fabbri	6,079,851 A	6/2000	Altman	
3,272,978 A	9/1966	Jackson	D428,516 S *	7/2000	Reo ..... D26/118	
3,322,946 A	5/1967	Cooper	6,094,919 A	8/2000	Bhatia	
3,420,995 A	1/1969	Dunckel	6,111,739 A	8/2000	Wu et al.	
D213,391 S	2/1969	Bruno	6,152,579 A	11/2000	Reed et al.	
3,433,941 A	3/1969	Hall	D439,008 S	3/2001	Kim	
3,675,008 A	7/1972	Hill	6,230,497 B1	5/2001	Morris et al.	
3,701,898 A	10/1972	McNamara, Jr.	6,247,830 B1	6/2001	Winnett	
3,829,677 A	8/1974	DeLlano	D445,943 S	7/2001	Littman	
3,902,059 A	8/1975	McNamara	6,257,735 B1	7/2001	Baar	
4,028,542 A	6/1977	McReynolds, Jr.	6,267,483 B1	7/2001	Hembery	
D245,016 S	7/1977	Barr	D447,272 S *	8/2001	Smith ..... D26/118	
4,037,096 A	7/1977	Brendgord	6,279,012 B1	8/2001	Sexton	
4,078,169 A	3/1978	Armstrong	6,299,327 B1	10/2001	Camarota	
4,175,360 A	11/1979	Mulvey	D452,559 S	12/2001	Schonberger	
D259,738 S	6/1981	Boschetti	6,343,984 B1	2/2002	Langdon et al.	
D266,578 S	10/1982	Moshier	6,371,630 B1	4/2002	Unger	
D268,287 S	3/1983	Boschetti	D456,927 S	5/2002	Russello	
D270,577 S	9/1983	DeVos	D456,928 S	5/2002	Russello	
4,531,180 A	7/1985	Hernandez	D456,938 S *	5/2002	Wardenburg ..... D26/118	
4,669,033 A	5/1987	Lee	D457,450 S	5/2002	Lamond	
D290,662 S	7/1987	Basil	D459,825 S	7/2002	Field	
D300,877 S	4/1989	Cyr	6,488,387 B2	12/2002	Wardenburg	
4,855,884 A	8/1989	Richardson	D469,564 S	1/2003	Brok	
4,893,221 A	1/1990	Friedman	6,527,422 B1	3/2003	Hutchison	
4,933,821 A	6/1990	Anderson	6,548,948 B1	4/2003	Muessli	
4,939,629 A	7/1990	Glanton et al.	6,595,662 B2	7/2003	Wardenburg	
D311,597 S	10/1990	Poot	6,601,972 B2	8/2003	Sei et al.	
4,970,428 A	11/1990	Hayakawa et al.	6,658,652 B1	12/2003	Alexander	
4,980,809 A	12/1990	Baldwin et al.	6,679,619 B2	1/2004	Saieva	
5,065,294 A	11/1991	Poot, Jr.	D486,593 S	2/2004	Griffin	
5,072,349 A	12/1991	Waniga	6,688,759 B1	2/2004	Hadjimichael	
D323,897 S	2/1992	Compton	6,729,383 B1	5/2004	Cannell et al.	
5,192,129 A	3/1993	Figueroa	6,783,263 B1	8/2004	Cronk	
5,199,784 A	4/1993	Hempleman	D499,505 S	12/2004	Benensohn	
5,253,152 A	10/1993	Yang	D504,343 S	4/2005	Ek	
5,353,746 A	10/1994	Del Rosario	6,885,134 B2	4/2005	Kurashima et al.	
D352,126 S	11/1994	Ruud	6,908,212 B2	6/2005	Schultz	
5,440,470 A	8/1995	Ly	7,011,424 B1	3/2006	Poulson	
5,461,554 A	10/1995	Leonetti et al.	7,083,309 B2	8/2006	Chan	
5,486,737 A	1/1996	Hrubowchak et al.	7,131,753 B1	11/2006	Edwards, Jr.	
5,510,676 A	4/1996	Cottaar et al.	7,156,539 B2	1/2007	Cronk	
D373,000 S	8/1996	Brady	7,175,309 B2	2/2007	Craw et al.	
5,570,947 A	11/1996	Felland	D542,460 S	5/2007	Hargreaves	
D376,437 S	12/1996	Karlo	D543,652 S *	5/2007	Hargreaves ..... D26/118	
5,621,267 A	4/1997	Shaffner	D543,654 S	5/2007	Hargreaves	
D383,243 S	9/1997	Fry	D543,655 S	5/2007	Hargreaves	
5,698,947 A	12/1997	Choi	7,213,948 B2	5/2007	Hein	
5,702,179 A	12/1997	Sidwell	D544,136 S	6/2007	Hargreaves	
D396,319 S	7/1998	Sutton	D544,138 S	6/2007	Hargreaves	
D399,328 S	10/1998	Compton	D544,139 S	6/2007	Hargreaves	
D400,289 S	10/1998	Wardenburg	D544,626 S	6/2007	Hargreaves	
D401,006 S	11/1998	Edwards	D544,983 S	6/2007	Hargreaves	
D405,976 S	2/1999	Beall	D544,985 S	6/2007	Hargreaves	
			D544,987 S	6/2007	Hargreaves	
			D544,985 S	6/2007	Hargreaves	
			D544,987 S	6/2007	Hargreaves	
			D544,994 S	6/2007	Hargreaves	
			D544,995 S *	6/2007	Hargreaves ..... D26/118	

(56)

References Cited

U.S. PATENT DOCUMENTS

D545,460 S	6/2007	Mason, II		D715,994 S	10/2014	Klus	
D545,484 S *	6/2007	Hargreaves .....	D26/118	D720,488 S	12/2014	Toyohisa	
D545,485 S *	6/2007	Hargreaves .....	D26/118	D720,505 S	12/2014	Kersten	
D545,990 S	7/2007	Hargreaves		8,905,575 B2 *	12/2014	Durkee .....	F21V 7/0008 362/218
D545,994 S	7/2007	Hargreaves		D720,876 S	1/2015	Haverfield	
D545,996 S	7/2007	Hargreaves		D721,844 S	1/2015	Lay	
7,360,927 B2	4/2008	Oka		D722,654 S	2/2015	Martone	
D569,024 S	5/2008	Redfern		D725,819 S	3/2015	Reynolds	
D572,858 S	7/2008	Santoro		D725,820 S	3/2015	Hargreaves	
7,445,363 B2	11/2008	Vanden Eynden		D726,359 S	4/2015	Grigore	
7,524,090 B2	4/2009	Hargreaves		9,016,892 B1	4/2015	Scribante	
7,534,011 B2	5/2009	Townsley		9,016,907 B2	4/2015	Stanley	
D603,087 S	10/2009	Mo et al.		D728,848 S	5/2015	Reyes	
7,617,057 B2	11/2009	May et al.		D729,435 S	5/2015	Arndt	
D605,342 S	12/2009	Chung		D730,556 S	5/2015	Toyohisa	
D608,490 S	1/2010	Chung		D731,103 S	6/2015	Wilke	
7,641,367 B2	1/2010	Hargreaves et al.		D731,701 S *	6/2015	Hargreaves .....	D26/118
7,654,702 B1	2/2010	Ding		D732,233 S	6/2015	Reynolds	
D614,801 S *	4/2010	Collins .....	D26/118	D732,234 S	6/2015	Rashidi Doust	
7,722,228 B2	5/2010	Broer		D732,235 S *	6/2015	Reynolds .....	D26/118
D617,028 S	6/2010	Verfuert		D732,236 S *	6/2015	Reynolds .....	D26/118
D620,190 S	7/2010	Chung		D733,347 S	6/2015	Dungan	
7,771,086 B2	8/2010	Goverde		D733,952 S	7/2015	Lay	
7,854,534 B2	12/2010	Liu		D733,960 S	7/2015	Howe	
D632,419 S	2/2011	Ng		D734,534 S	7/2015	Howe	
D633,640 S	3/2011	Wauters		D735,391 S	7/2015	Blessitt	
D634,060 S *	3/2011	Wardenburg .....	D26/118	D735,401 S	7/2015	Clements	
D634,240 S	3/2011	Junkeer		D736,450 S *	8/2015	Reynolds .....	D26/118
D634,468 S	3/2011	Hargreaves		D737,498 S	8/2015	Stanley	
D634,469 S *	3/2011	Hargreaves .....	D26/118	D739,595 S	9/2015	Reynolds	
D637,162 S	5/2011	Bridgman		D740,486 S *	10/2015	Stanley .....	D26/118
D637,341 S	5/2011	Wardenburg		D747,029 S *	1/2016	Reynolds .....	D26/118
D637,752 S	5/2011	Mekhtarian		D747,538 S	1/2016	Hargreaves	
D640,404 S	6/2011	Chipperfield		D747,825 S	1/2016	Reynolds	
7,959,331 B2	6/2011	Ho		D748,849 S *	2/2016	Stanley .....	D26/118
7,972,044 B2	7/2011	Burkhauser		D750,312 S	2/2016	Reynolds	
7,987,632 B2	8/2011	May et al.		D750,313 S	2/2016	Reynolds	
8,018,630 B2	9/2011	Herloski		D750,316 S *	2/2016	Reynolds .....	D26/118
8,038,318 B2	10/2011	Plunk		D751,244 S *	3/2016	Reynolds .....	D26/118
D648,652 S	11/2011	Hawkins		D751,245 S	3/2016	Stanley	
D649,685 S	11/2011	Trzesniowski		D751,247 S *	3/2016	Reynolds .....	D26/118
D650,515 S	12/2011	Bradley		D757,346 S	5/2016	Stanley	
D650,935 S	12/2011	Beghelli		2002/0073285 A1	6/2002	Butterworth	
8,113,696 B2	2/2012	Striebel		2002/0141195 A1	10/2002	Peter	
D655,403 S	3/2012	Zakula		2003/0031011 A1	2/2003	Miller	
D661,370 S	6/2012	Imajo		2003/0191783 A1	10/2003	Wolczko	
8,209,912 B2	7/2012	Hargreaves et al.		2005/0117333 A1	6/2005	Yoshida	
D668,370 S	10/2012	Guercio		2005/0160481 A1	7/2005	Todd	
D671,259 S	11/2012	Chen		2006/0231081 A1	10/2006	Kirakosyan	
D672,908 S	12/2012	Wilcox		2006/0232984 A1	10/2006	Schuknecht	
8,334,640 B2	12/2012	Reed et al.		2006/0282457 A1	12/2006	Williams	
D675,369 S *	1/2013	Michaud .....	D26/118	2007/0051321 A1	3/2007	Chang	
8,348,481 B2	1/2013	Chang		2007/0070633 A1	3/2007	Eynden	
D675,772 S	2/2013	Tran		2007/0228993 A1	10/2007	Stuer et al.	
8,371,726 B2	2/2013	Collins et al.		2007/0246631 A1	10/2007	Brown	
D678,597 S	3/2013	Lehman		2007/0282806 A1	12/2007	Hoffman	
D678,599 S	3/2013	Boyer et al.		2008/0059799 A1	3/2008	Scarlata	
D683,064 S	5/2013	Tuck		2008/0117617 A1	5/2008	Hargreaves et al.	
8,505,224 B2	8/2013	Huang		2008/0205030 A1	8/2008	Hargreaves	
D689,238 S	9/2013	Halsey		2008/0205071 A1	8/2008	Townsley	
D693,959 S *	11/2013	Boyer .....	D26/118	2008/0212326 A1	9/2008	Chon	
D698,075 S	1/2014	Klus		2008/0278950 A1	11/2008	Pickard et al.	
D698,986 S *	2/2014	Reynolds .....	D26/118	2009/0231840 A1	9/2009	Boehme et al.	
D698,987 S	2/2014	Stanley		2009/0262540 A1	10/2009	Hargreaves et al.	
D702,827 S	4/2014	Mase		2009/0276478 A1	11/2009	Soman	
8,702,283 B2	4/2014	Bradley, Jr.		2009/0310373 A1	12/2009	Burkhauser	
D705,474 S	5/2014	Philips		2009/0323335 A1	12/2009	Yang	
D705,974 S	5/2014	Blessitt		2010/0214789 A1	8/2010	Hawkes	
8,723,086 B2	5/2014	McMahan		2010/0238661 A1	9/2010	Pfund	
D707,385 S *	6/2014	Wardenburg .....	D26/118	2010/0277908 A1	11/2010	Hu	
D708,390 S	7/2014	Roos		2010/0277929 A1	11/2010	Hargreaves	
D710,528 S	8/2014	Wardenburg		2010/0302768 A1	12/2010	Collins	
8,801,235 B2	8/2014	Yurich		2011/0169412 A1	7/2011	Yurich	
D713,953 S	9/2014	Jepson		2011/0259665 A1	10/2011	Morgan	
D714,988 S	10/2014	Park		2012/0230035 A1	9/2012	Bradley, Jr. et al.	
				2013/0083539 A1	4/2013	Dimitriadis	
				2013/0155685 A1	6/2013	Stanley	
				2013/0242573 A1	9/2013	Petrsoiki	

(56)

**References Cited**

## U.S. PATENT DOCUMENTS

2013/0250567	A1	9/2013	Edmond
2014/0378283	A1	12/2014	Qiu
2015/0023022	A1	1/2015	Stanley
2015/0098215	A1	4/2015	Torabifard
2015/0252992	A1	9/2015	Stanley
2015/0252993	A1	9/2015	Stanley
2015/0252994	A1	9/2015	Stanley

## FOREIGN PATENT DOCUMENTS

EP	0325003	A1	7/1989
EP	0440274	A1	8/1991
WO	02063210	A2	8/2002
WO	2008018000	A1	2/2008
WO	2009096775	A2	8/2009
WO	2011119451	A1	9/2011
WO	2015009333		1/2015

## OTHER PUBLICATIONS

Apollo Horticulture GLRLS24 6" Air Cooled Hydroponic Grow Light Glass Reflector Hood, image post date Oct. 15, 2010, site visited Oct. 3, 2014, (online), <[http://www.amazon.com/apollo-horticulture-GLRLS24-hydroponic-reflector/dp/B00BMVK8HG/ref=cm\\_cd\\_ql\\_qh\\_dp\\_i](http://www.amazon.com/apollo-horticulture-GLRLS24-hydroponic-reflector/dp/B00BMVK8HG/ref=cm_cd_ql_qh_dp_i)>.

Adjustable Reflector, image post date Apr. 23, 2012, site visited Sep. 23, 2015, [http://web.archive.org/web/2012043260757/http://hydroponics-products.en.alibaba.com/product/519225678-213056444/adjustable\\_reflector\\_grow\\_light\\_hydroponics\\_greenhouse\\_horticulture\\_reflector\\_hood.html](http://web.archive.org/web/2012043260757/http://hydroponics-products.en.alibaba.com/product/519225678-213056444/adjustable_reflector_grow_light_hydroponics_greenhouse_horticulture_reflector_hood.html).

Agrotech Magnum Reflector, image post date Feb. 5, 2012, site visited Oct. 31, 2014, [www.hydroponics.net/136580](http://www.hydroponics.net/136580).

Cree CR22, image post date Apr. 28, 2011, site visited Nov. 15, 2014, <http://ledsmagazine.com/content/dam/leds/migrated/objects/news/8/4/19/cree204272011.jpg>.

ZR series High Efficacy Troffer, image post date Apr. 13, 2012, site visited Oct. 31, 2014, [www.cree.com/lighting/products](http://www.cree.com/lighting/products).

Grow Lights Home Depot: Find many types of grow lights for your plant, published Dec. 22, 2012, online. Site visited May 25, 2014.

[Http://besthomedecorffurniture.com/gardening-decor/grow-lights-home-depot-few-things-to-consider-when-buying-grow-lighting-plants-online.html](http://besthomedecorffurniture.com/gardening-decor/grow-lights-home-depot-few-things-to-consider-when-buying-grow-lighting-plants-online.html).

LED Grow Light Comparison Test Review, Youtube.com, published Jun. 29, 2012, online. Site visited Jun. 25, 2014. [www.youtube.com/watch?v=f-8oy0qbgrs](http://www.youtube.com/watch?v=f-8oy0qbgrs).

Illuminator Pro-Series Hybrid 350W, wordpress.com, published Dec. 22, 2010, online, site visited Jun. 25, 2014. <http://growsetup.wordpress.com/category/grow-lights/>.

California Lightworks New SolarStorm 440W LED Grow Light with UVB, hydrobuilder.com, online. Site visited Mar. 25, 2014. [http://hydrobuilder.com/solarstorm-440w-led-grow-light-with-uvb.html?dzid=strands\\_CLW-SS-440](http://hydrobuilder.com/solarstorm-440w-led-grow-light-with-uvb.html?dzid=strands_CLW-SS-440).

2013 Sunlight Supply Cataog, Issuu.com, published Aug. 1, 2013, online. Site visited Feb. 2, 2015. [http://issuu.com/sunlightsupply/docs/2013\\_sunlightproductcatalog/49](http://issuu.com/sunlightsupply/docs/2013_sunlightproductcatalog/49).

pp. 29 and 54 from 2014-2015 dealer catalog showing and describing Super Sun DE reflector published by Sunlight Supply, Inc. 2014. Dominator XXXL Non AC Reflector pack of 3 Spec Sheet, GreenTreesHydroponics.com, date available Mar. 12, 2014, online. Site visited Feb. 3, 2015, <https://www.hydroponics.net/i/141477>.

Low Rider Air-Cooled Reflector—TinEye, image post date Oct. 11, 2012, site visited Oct. 1, 2015, [www.tineye.com/search/1b0e187c5ed9e4e9cfb55d0472271385a2c0e88/?pluginver](http://www.tineye.com/search/1b0e187c5ed9e4e9cfb55d0472271385a2c0e88/?pluginver).

OG Air Cooled Parabolic Reflector Only—Make the Most of Your Grow Light, GroWell Hydroponics, <http://www.growell.co.uk/og-air-cooled-parabolic-reflector-only.html>, pp. 1-2, accessed Aug. 26, 2014.

Air Resistance: Distinguishing Between Laminar and Turbulent Flow, www.docstoc.com, Dec. 29, 2010, p. 1-6.

Sun Systems LEC 630 Light Emitting Ceramic Fixture, Spec Sheet for 906217—Sun System LEC 630 120 Volt w/ 3100 K Lamps, [www.sunlightsupply.com/shop/bycategory/led-lighting/sun-system-lec-630-light-emitting-ceramic-fixture](http://www.sunlightsupply.com/shop/bycategory/led-lighting/sun-system-lec-630-light-emitting-ceramic-fixture), online, updated Feb. 9, 2015. Site visited Mar. 30, 2015, p. 1.

Mohri, Mineko, International Preliminary Report on Patentability for PCT/US2014/014959, Jan. 19, 2016.

A3V Reflector, Titaness Light Shop, [www.titanesslightshop.com/products-page/reflectors/a3v-reflector](http://www.titanesslightshop.com/products-page/reflectors/a3v-reflector), online. Site visited Jan. 14, 2015.

G2V Grow Light Reflector, Titaness Light Shop, [www.titanesslightshop.com/products-page/reflectors/g2v-grow-light-reflector](http://www.titanesslightshop.com/products-page/reflectors/g2v-grow-light-reflector), online. Site visited Jan. 14, 2015.

\* cited by examiner

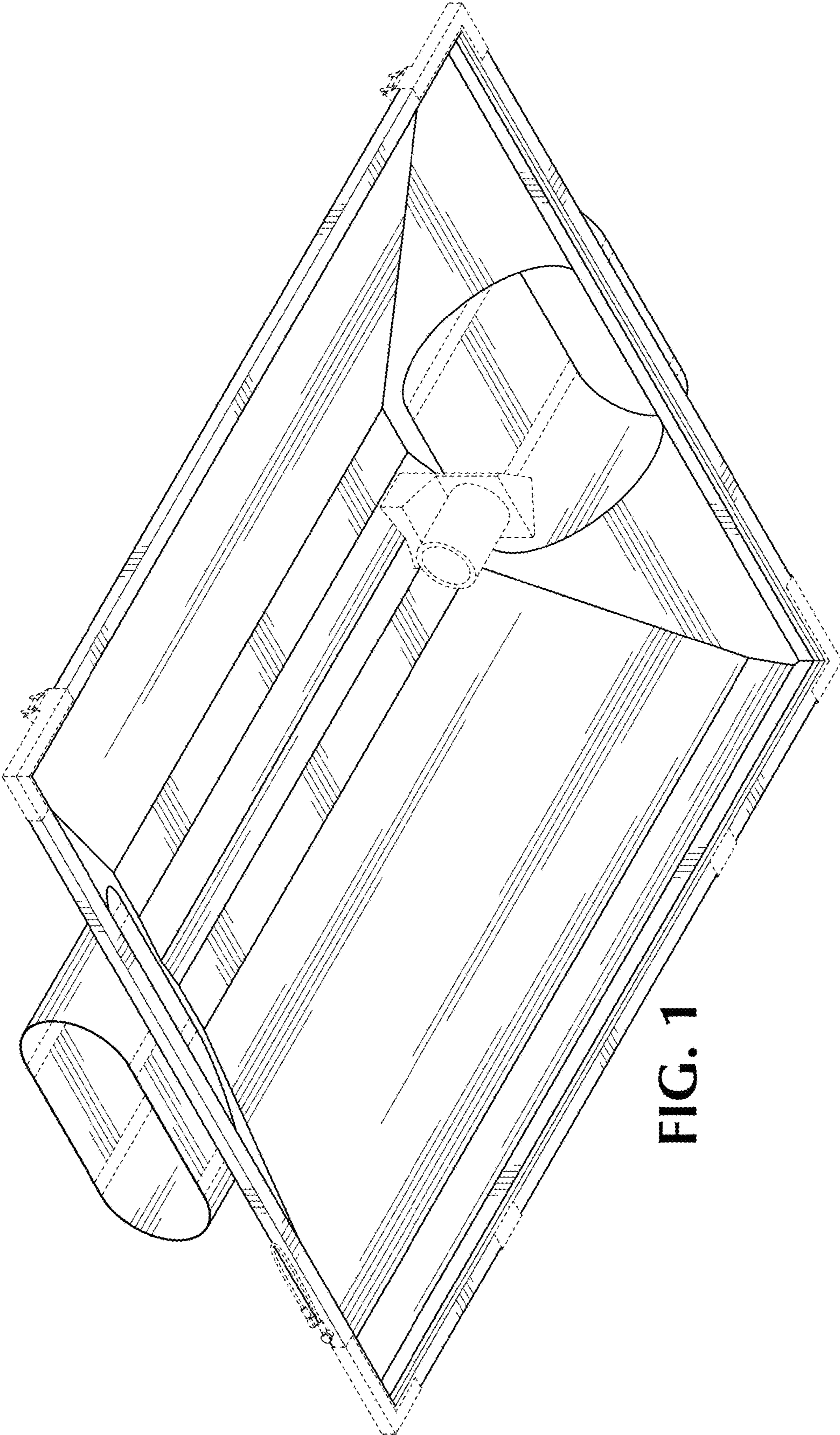


FIG. 1

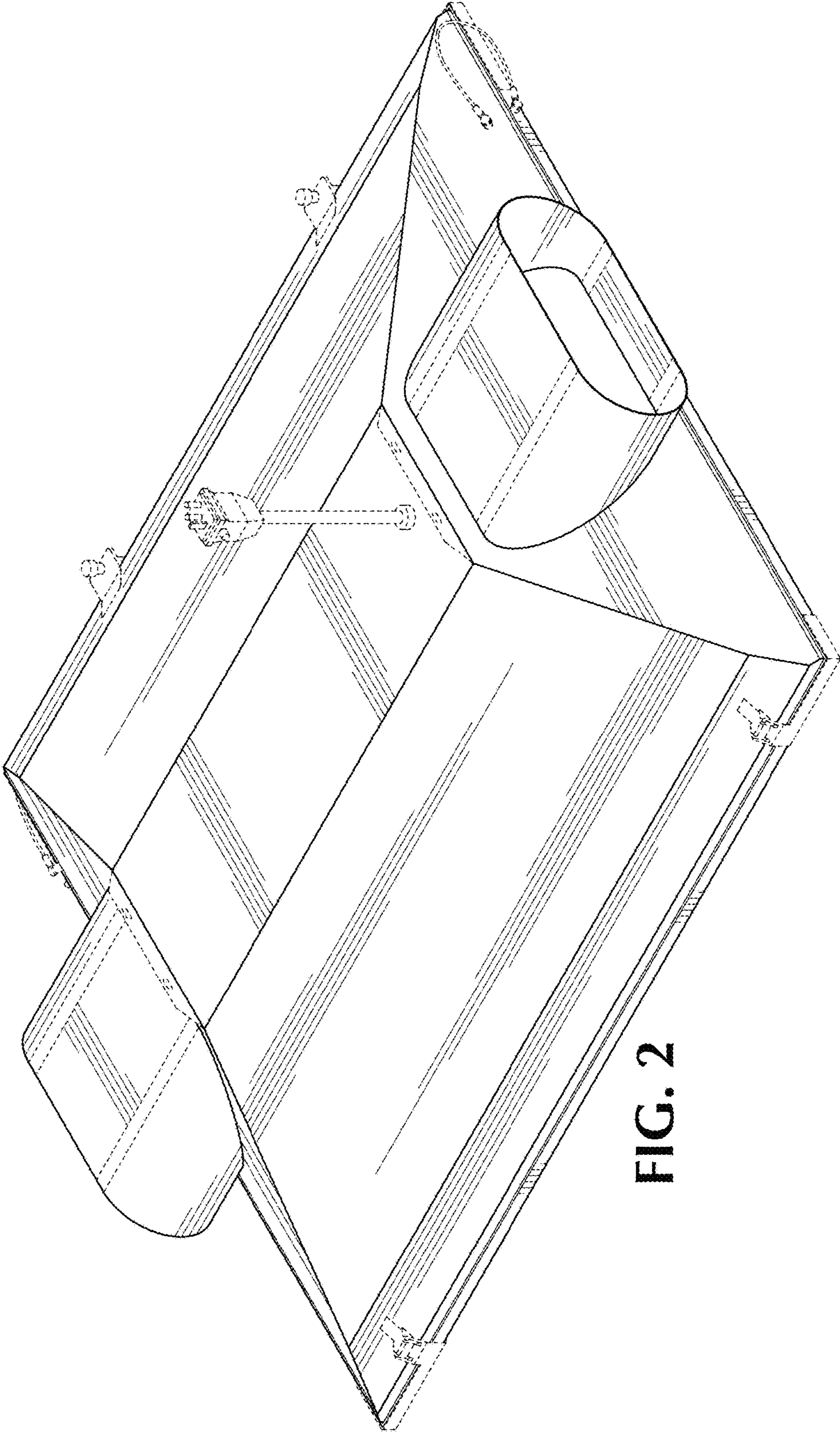


FIG. 2

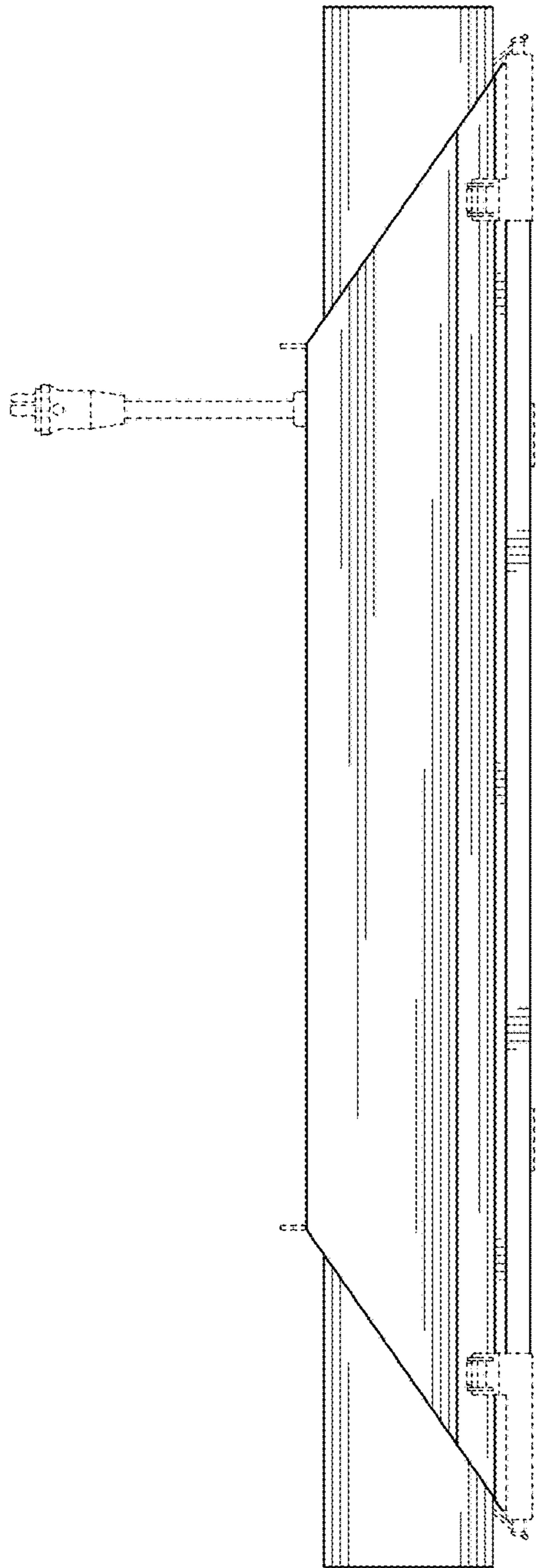


FIG. 3



FIG. 4

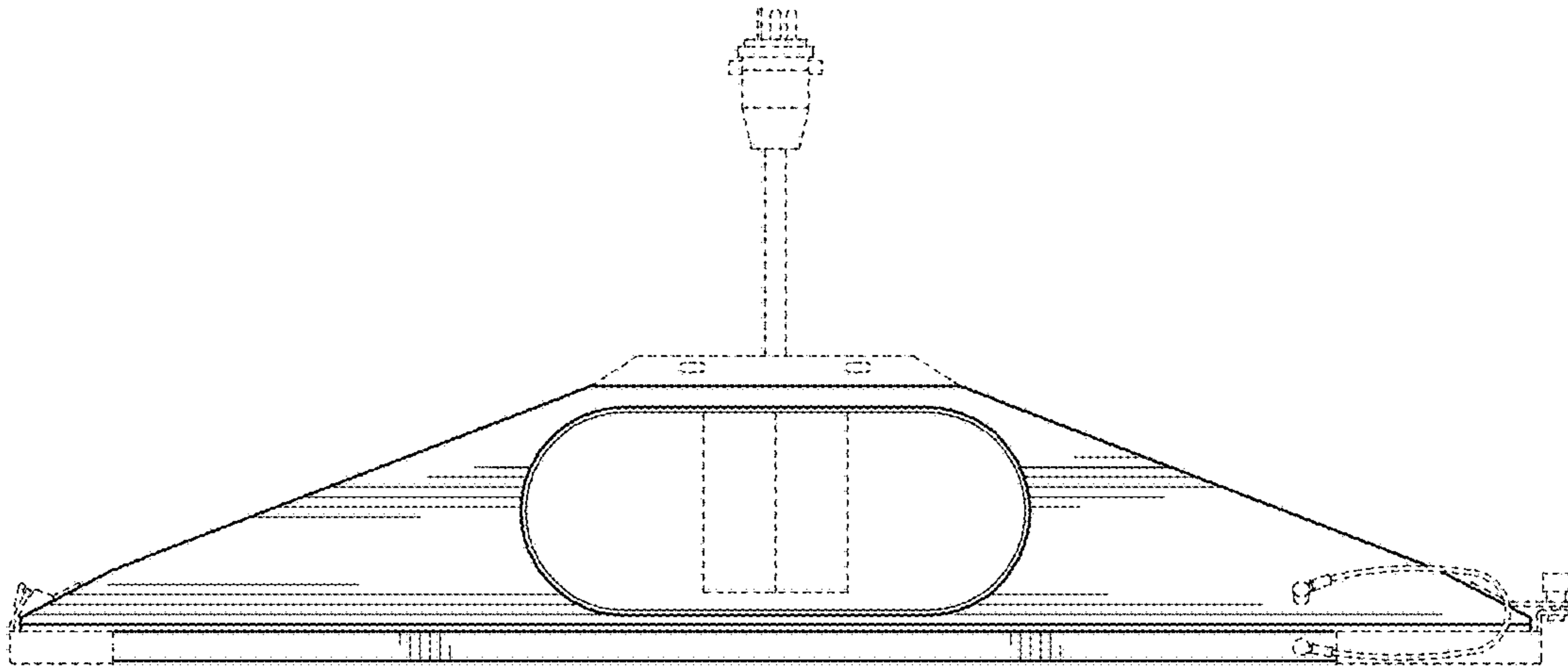


FIG. 5

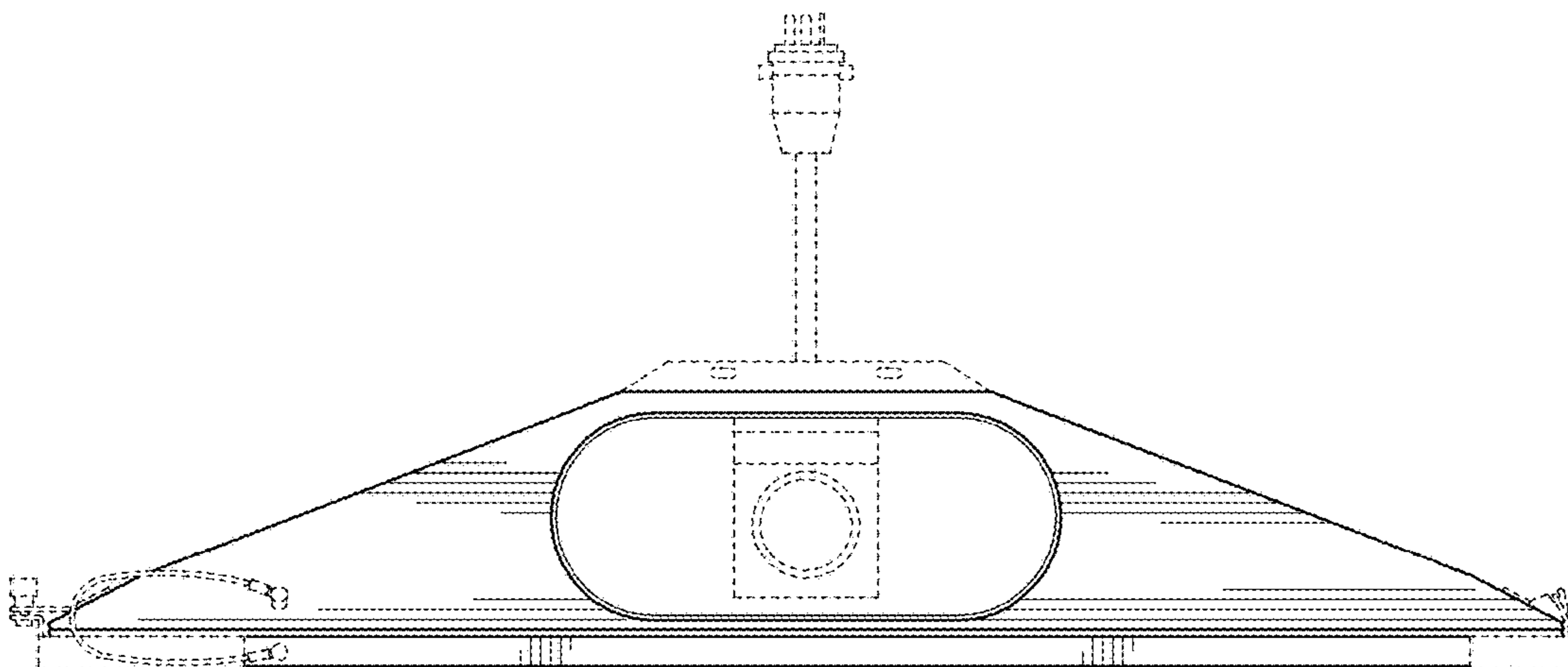
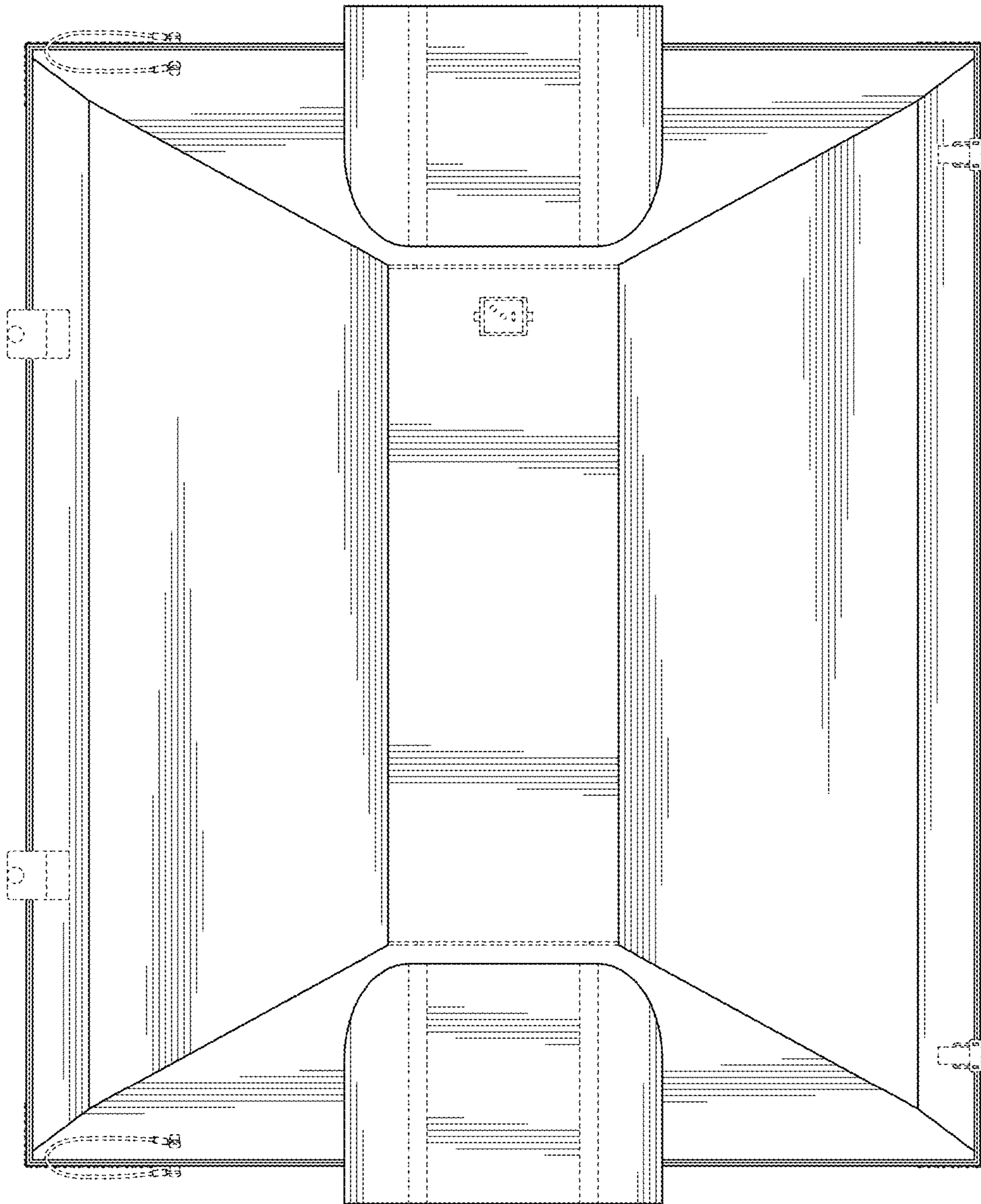


FIG. 6



FIG. 7



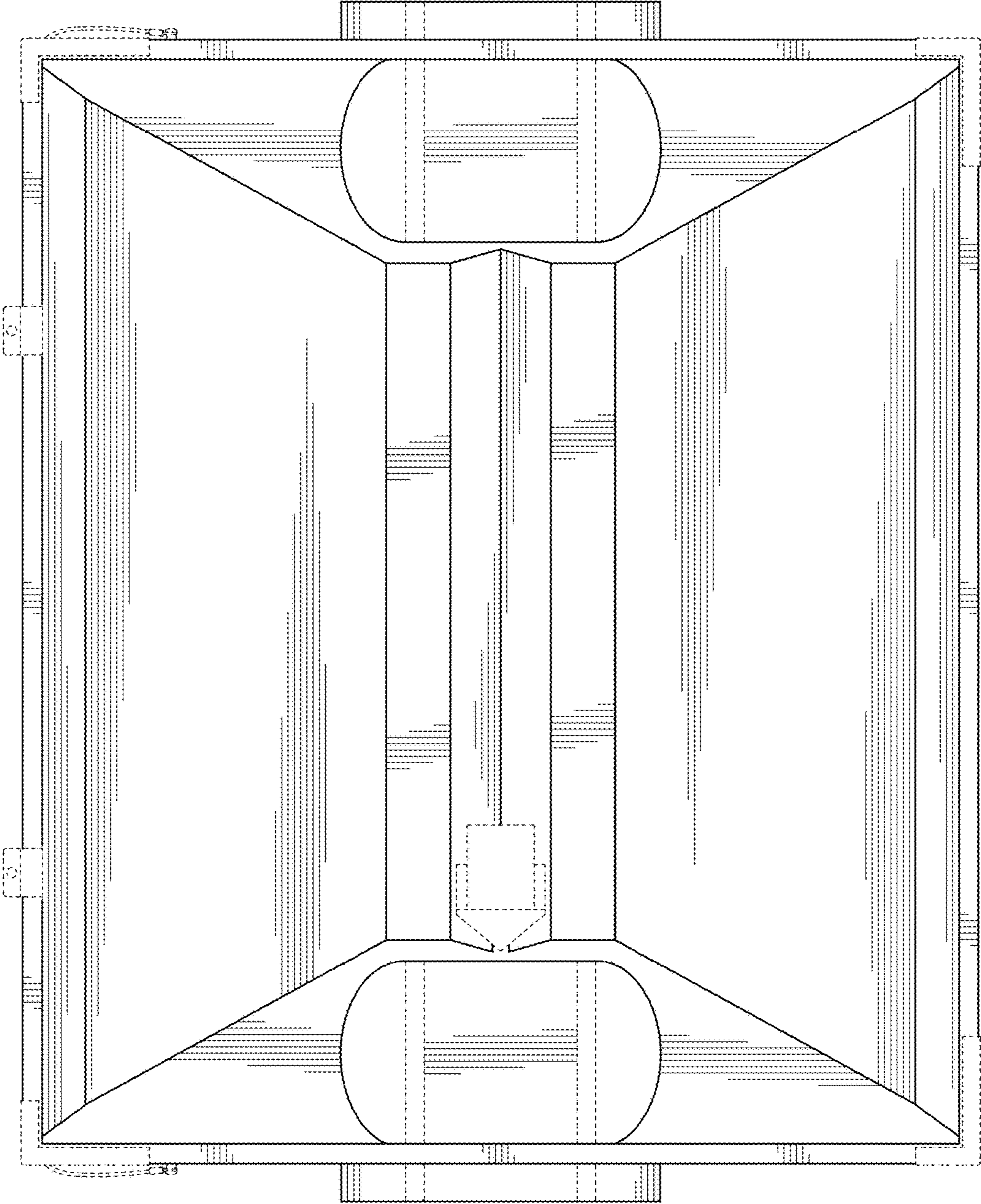


FIG. 8