



US00D773106S

(12) **United States Design Patent**  
**Feit**

(10) **Patent No.:** **US D773,106 S**

(45) **Date of Patent:** **\*\* Nov. 29, 2016**

(54) **CONICAL LAMP**

(71) Applicant: **Feit Electric Company, Inc.**, Pico Rivera, CA (US)

(72) Inventor: **Alan Barry Feit**, Encino, CA (US)

(73) Assignee: **Feit Electric Company, Inc.**, Pico Rivera, CA (US)

(\*\*) Term: **14 Years**

(21) Appl. No.: **29/519,250**

(22) Filed: **Mar. 3, 2015**

(51) **LOC (10) Cl.** ..... **26-03**

(52) **U.S. Cl.**  
USPC ..... **D26/110**

(58) **Field of Classification Search**  
USPC ..... D26/1, 24, 93, 104, 106, 110, 112  
CPC ..... F21S 6/00; F21S 6/002; F21S 6/004;  
F21S 6/006; F21S 8/00; F21S 10/00; F21V  
21/02; F21W 2131/30; F21Y 2105/00  
See application file for complete search history.

(56) **References Cited**

**U.S. PATENT DOCUMENTS**

D187,194 S \* 2/1960 Jacobs ..... D26/112  
D271,429 S \* 11/1983 Andersen ..... D26/104

D280,444 S \* 9/1985 Boss ..... D26/110  
D467,679 S \* 12/2002 Rota ..... D26/104  
6,883,942 B2 \* 4/2005 Denningham ..... F21S 6/006  
362/410  
D517,239 S \* 3/2006 Starck ..... D26/112  
D647,243 S \* 10/2011 Kong ..... D26/93  
D729,971 S \* 5/2015 Salojarvi ..... D26/104

\* cited by examiner

*Primary Examiner* — Brian N Vinson

(74) *Attorney, Agent, or Firm* — Alston & Bird LLP

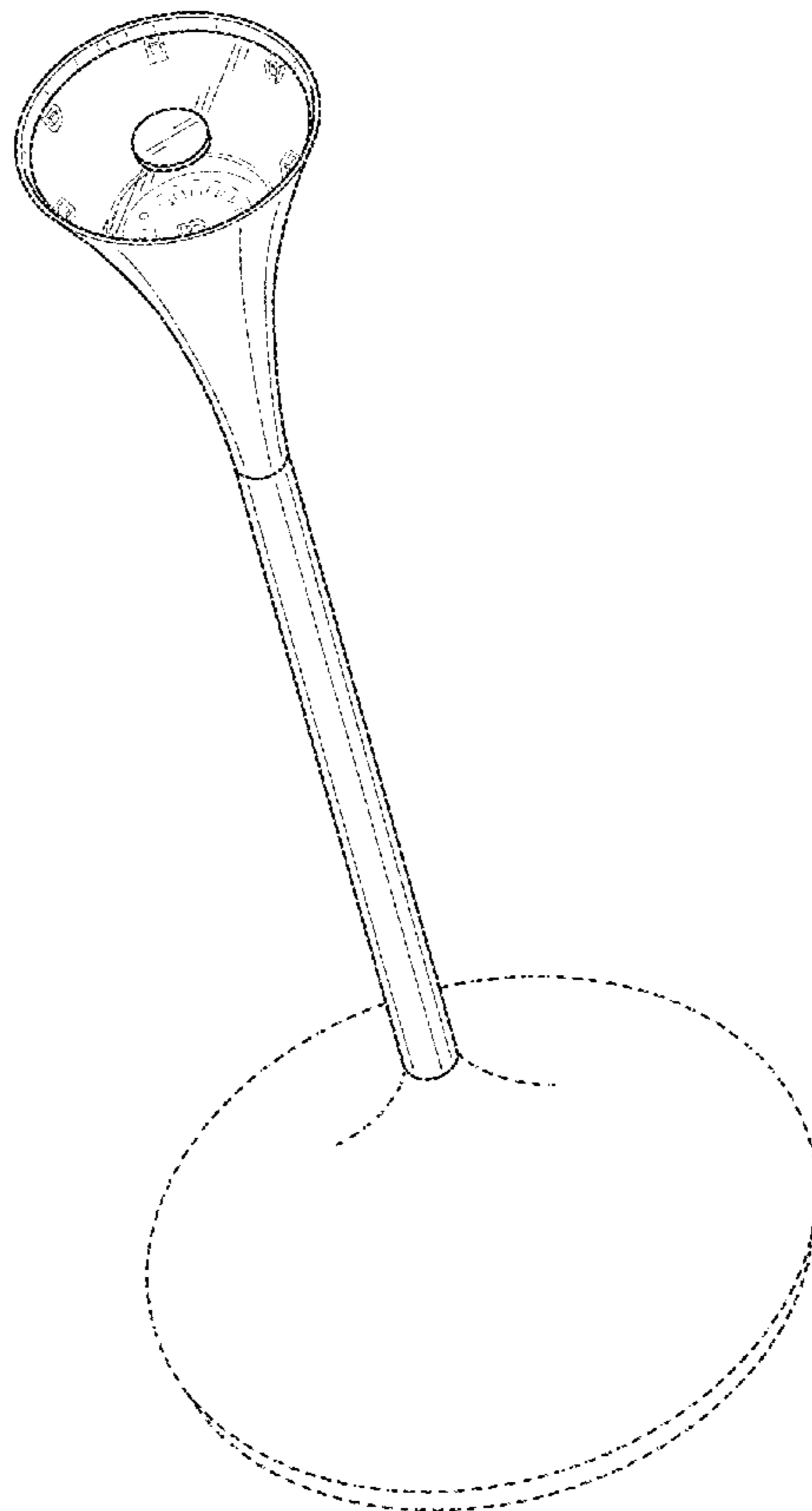
(57) **CLAIM**

The ornamental design for a conical lamp, as shown and described.

**DESCRIPTION**

FIG. 1 is a perspective view of a conical lamp showing my new design;  
FIG. 2 is a front view of the conical lamp shown in FIG. 1;  
FIG. 3 is a top view of the conical lamp shown in FIG. 1;  
FIG. 4 is a perspective view of a conical lamp according to a second exemplary embodiment of the present design;  
FIG. 5 is a front view of the conical lamp shown in FIG. 4; and,  
FIG. 6 is a top view of the conical lamp shown in FIG. 4. The broken line disclosure represents a portion of the lamp which forms no part of the claimed design.

**1 Claim, 6 Drawing Sheets**



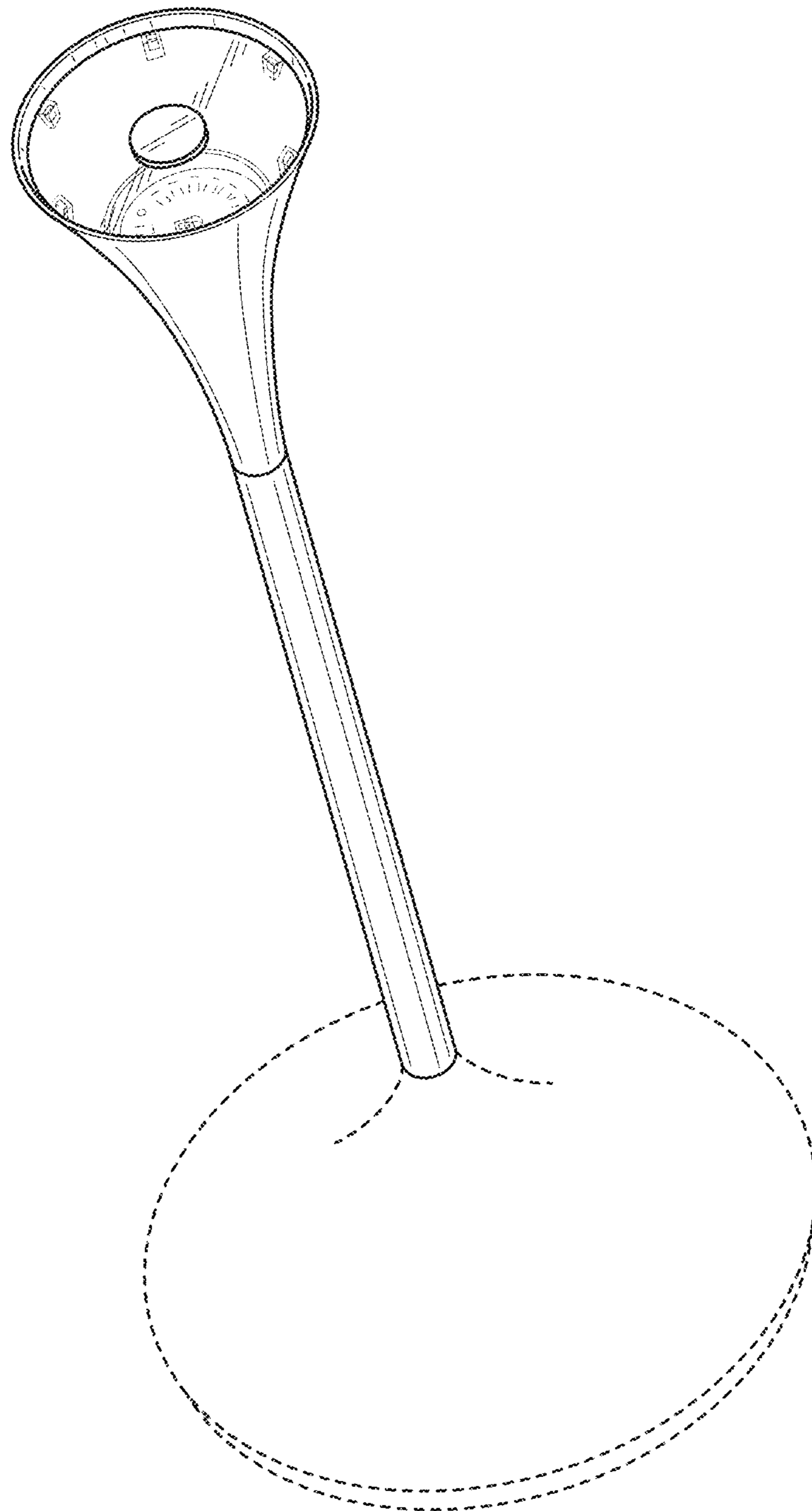


FIG. 1

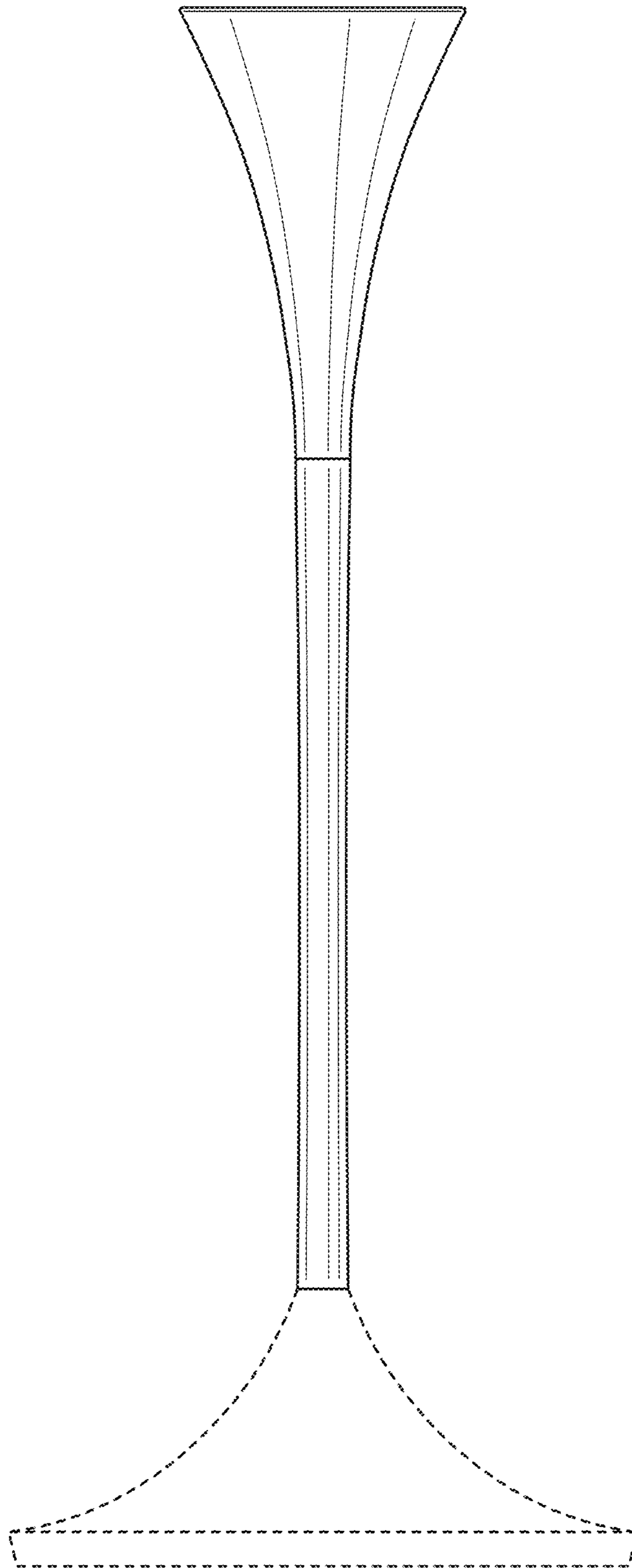


FIG. 2

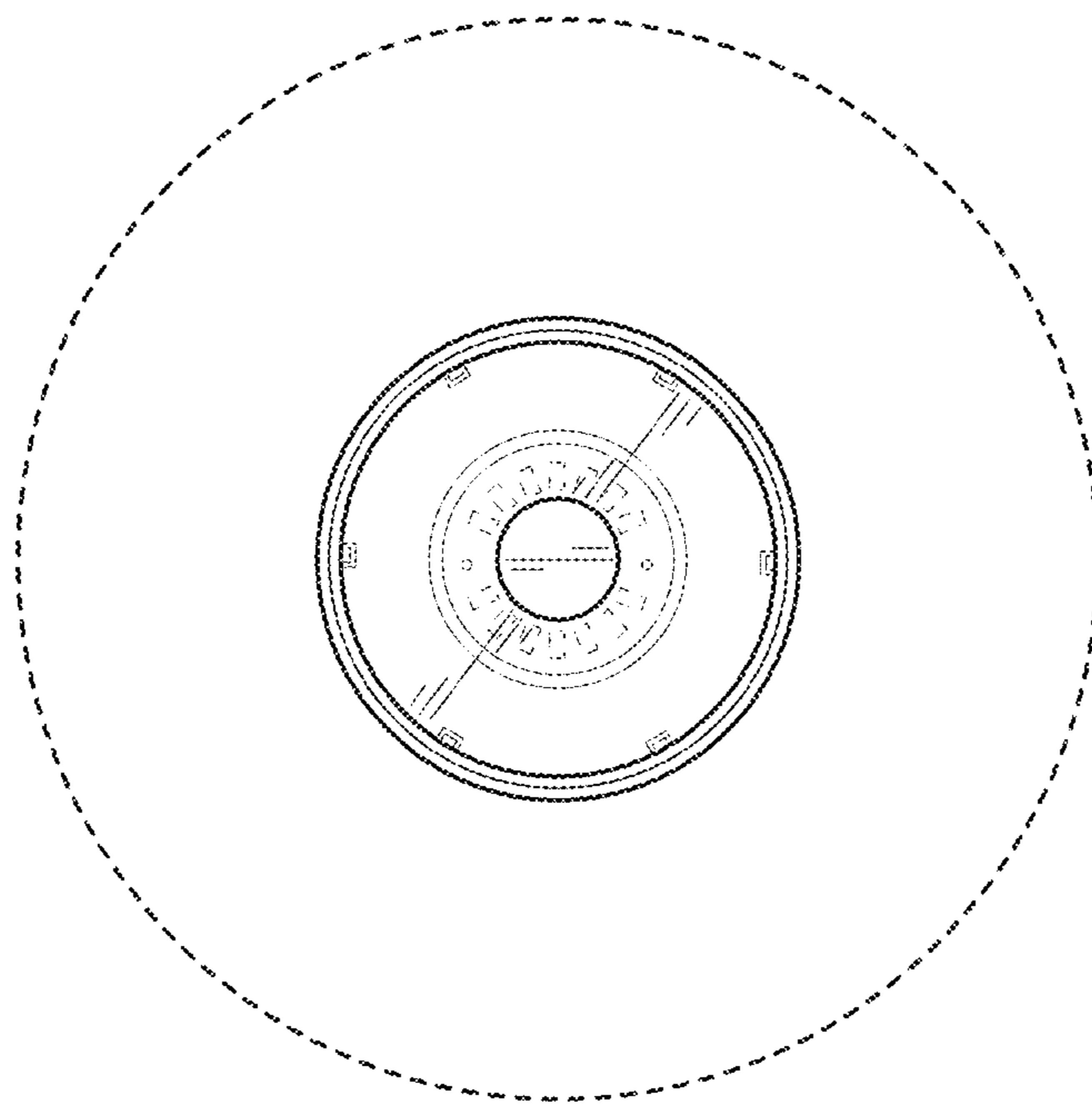


FIG. 3

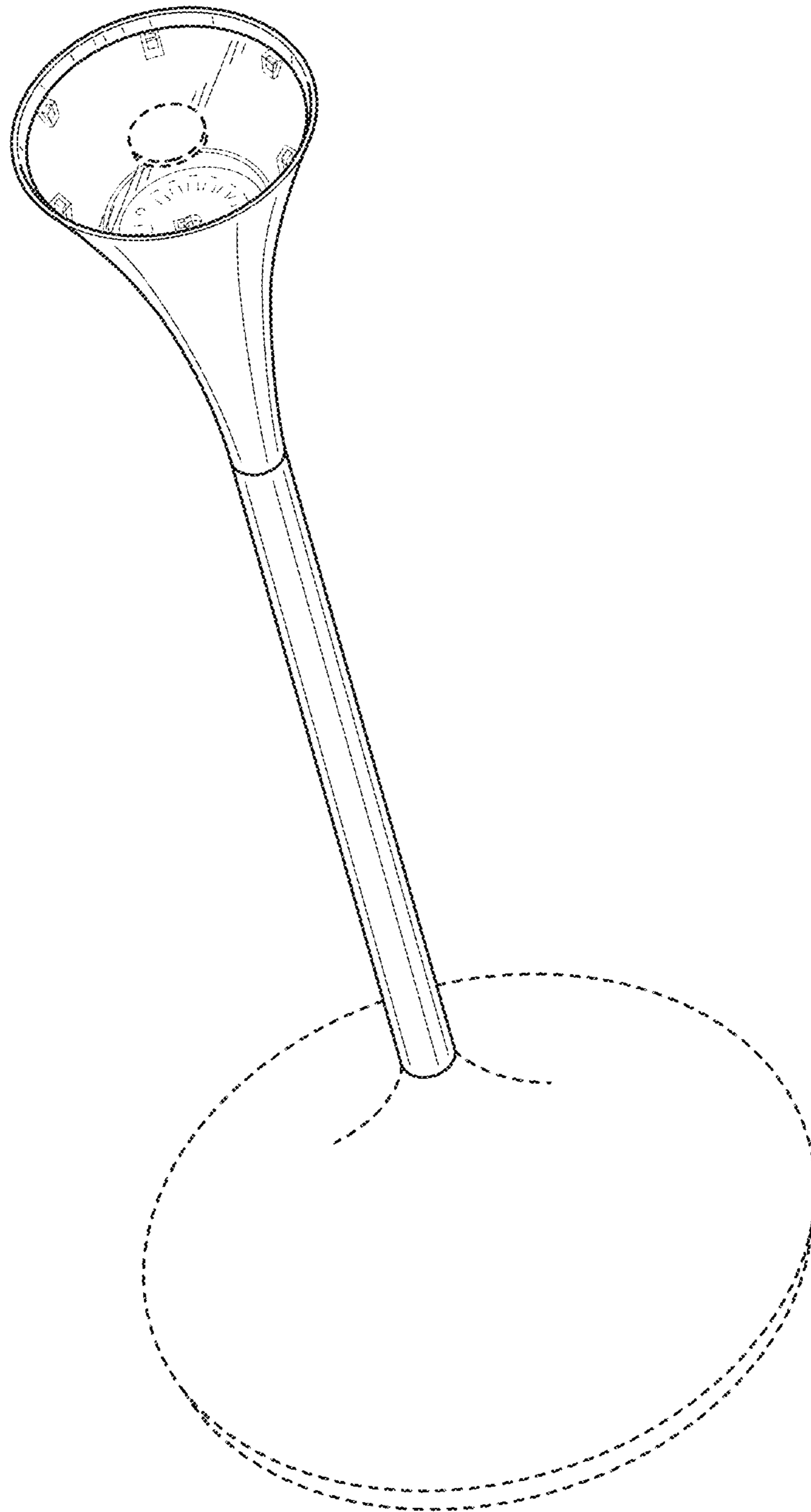


FIG. 4

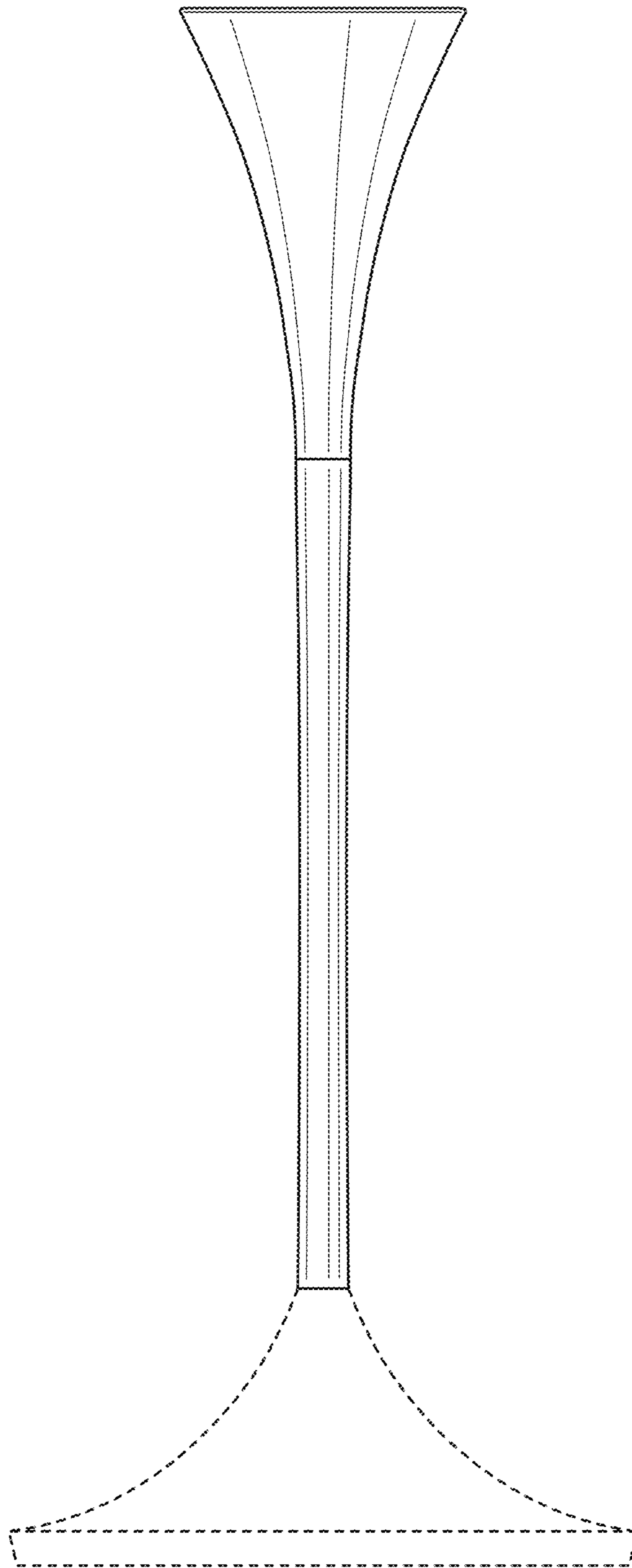


FIG. 5

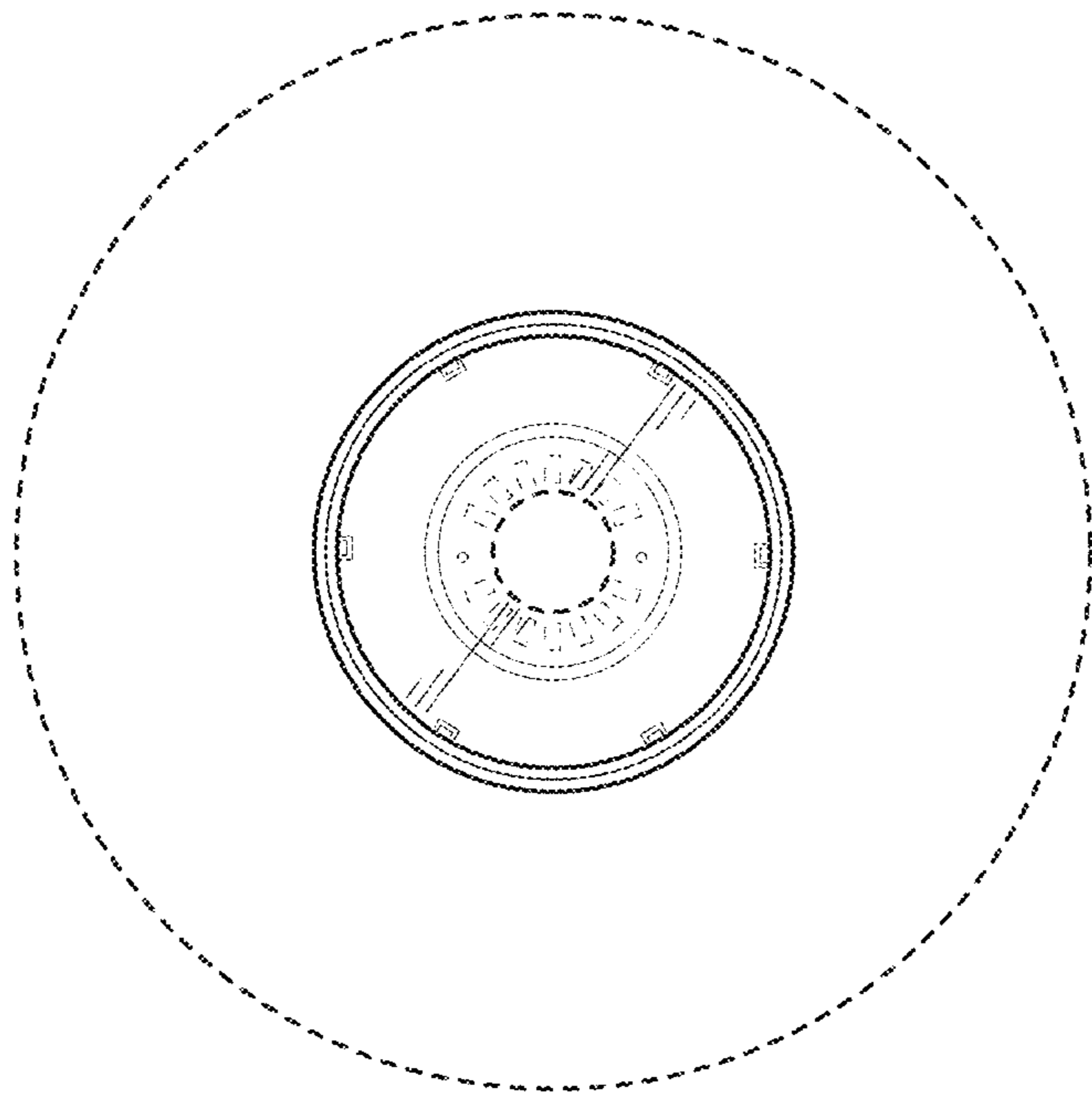


FIG. 6