



US00D773105S

(12) **United States Design Patent**  
**Feit**

(10) **Patent No.:** **US D773,105 S**

(45) **Date of Patent:** **\*\* Nov. 29, 2016**

(54) **RING LAMP**

(71) Applicant: **Feit Electric Company, Inc.**, Pico Rivera, CA (US)

(72) Inventor: **Alan Barry Feit**, Encino, CA (US)

(73) Assignee: **Feit Electric Company, Inc.**, Pico Rivera, CA (US)

(\*\*) Term: **14 Years**

(21) Appl. No.: **29/519,213**

(22) Filed: **Mar. 3, 2015**

(51) **LOC (10) Cl.** ..... **26-03**

(52) **U.S. Cl.**  
USPC ..... **D26/106**

(58) **Field of Classification Search**  
USPC ..... D26/1, 24, 93, 104, 106, 110, 112  
CPC ..... F21S 6/00; F21S 6/002; F21S 6/004;  
F21S 6/006; F21S 8/00; F21S 10/00; F21V  
21/02; F21W 2131/30; F21Y 2105/00  
See application file for complete search history.

(56) **References Cited**

**U.S. PATENT DOCUMENTS**

D199,141 S \* 9/1964 Curry ..... D26/104  
D204,900 S \* 5/1966 Curry ..... D26/104

D509,618 S \* 9/2005 Baarman ..... D26/106  
D686,361 S \* 7/2013 Cho ..... D26/93  
D716,993 S \* 11/2014 Rashid ..... D26/93  
D729,971 S \* 5/2015 Salojarvi ..... D26/104

\* cited by examiner

*Primary Examiner* — Brian N Vinson

(74) *Attorney, Agent, or Firm* — Alston & Bird LLP

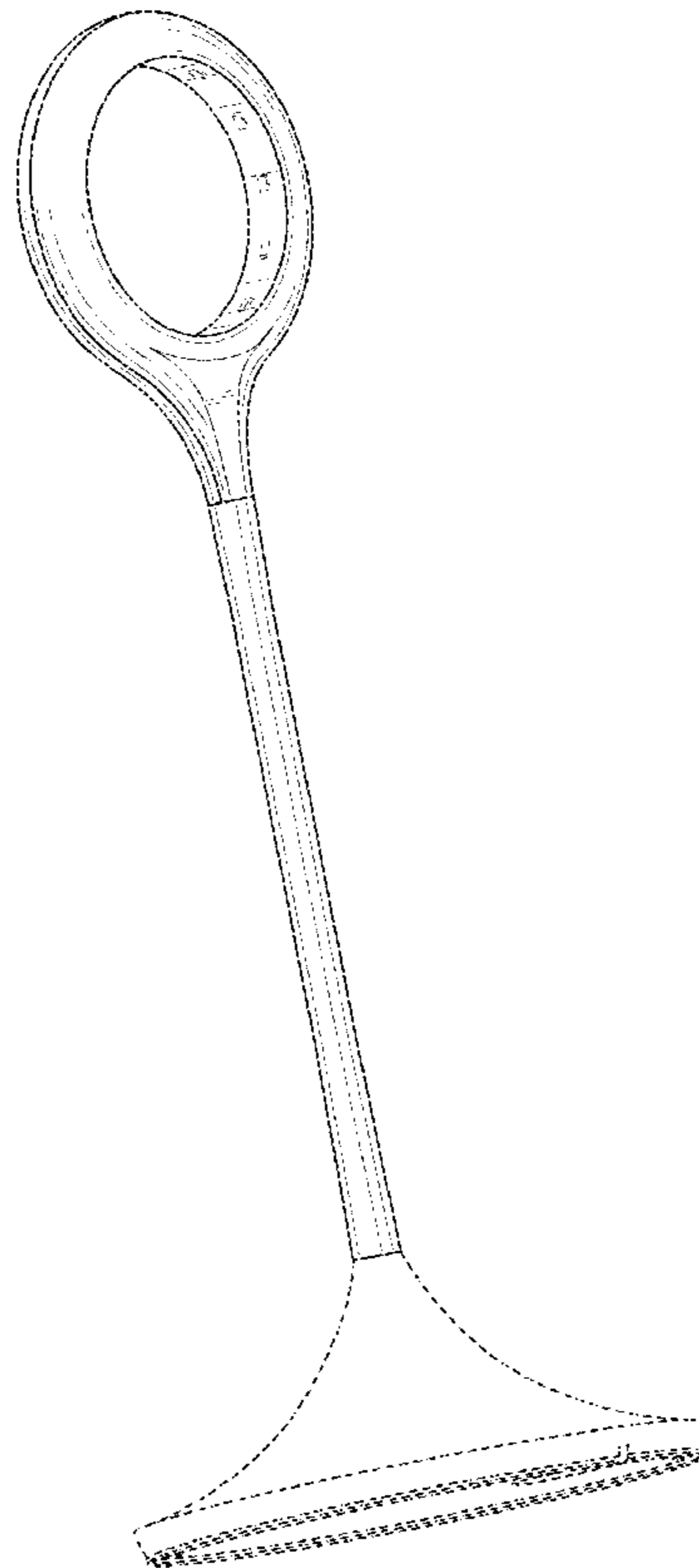
(57) **CLAIM**

The ornamental design for a ring lamp, as shown and described.

**DESCRIPTION**

FIG. 1 is a perspective view of a ring lamp showing my new design;  
FIG. 2 is a front view of the ring lamp shown in FIG. 1;  
FIG. 3 is a rear view of the ring lamp shown in FIG. 1;  
FIG. 4 is a side view of the ring lamp shown in FIG. 1; and,  
FIG. 5 is a top view of the ring lamp shown in FIG. 1.  
The broken line disclosure represents a portion of the lamp which forms no part of the claimed design.

**1 Claim, 5 Drawing Sheets**



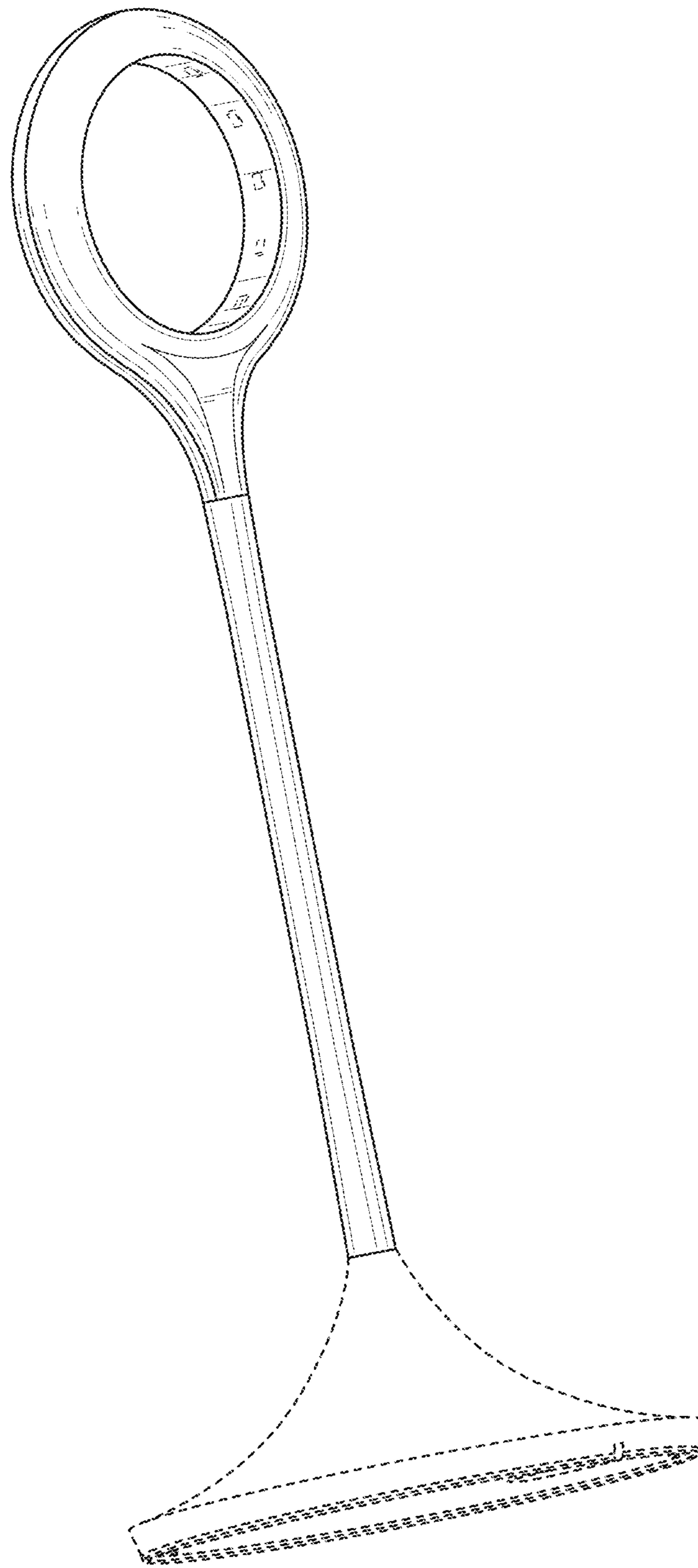


FIG. 1

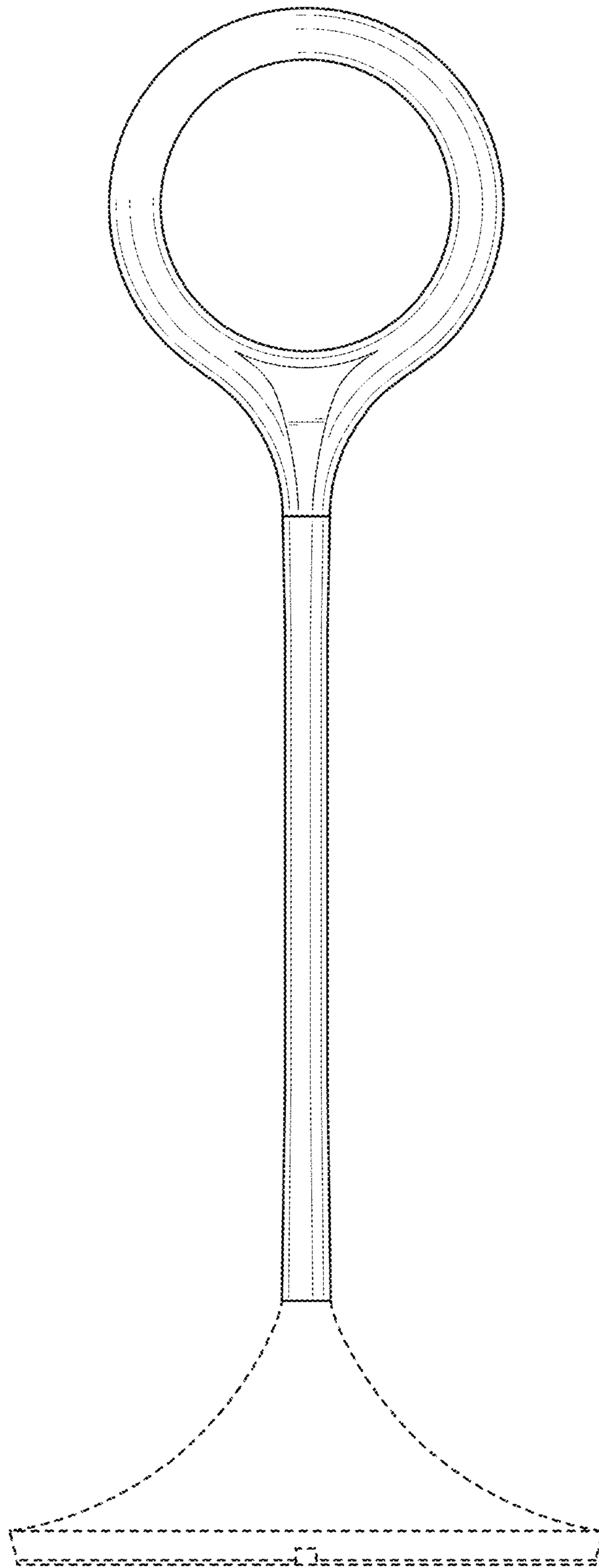


FIG. 2

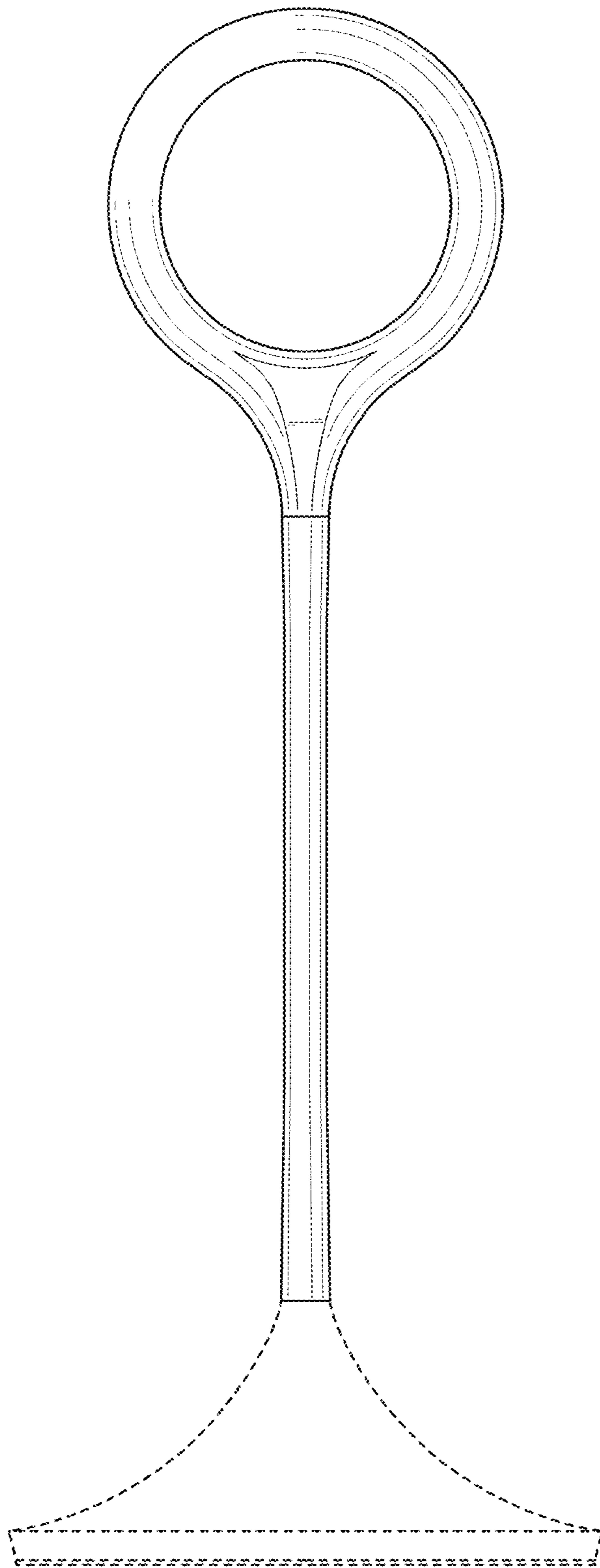


FIG. 3

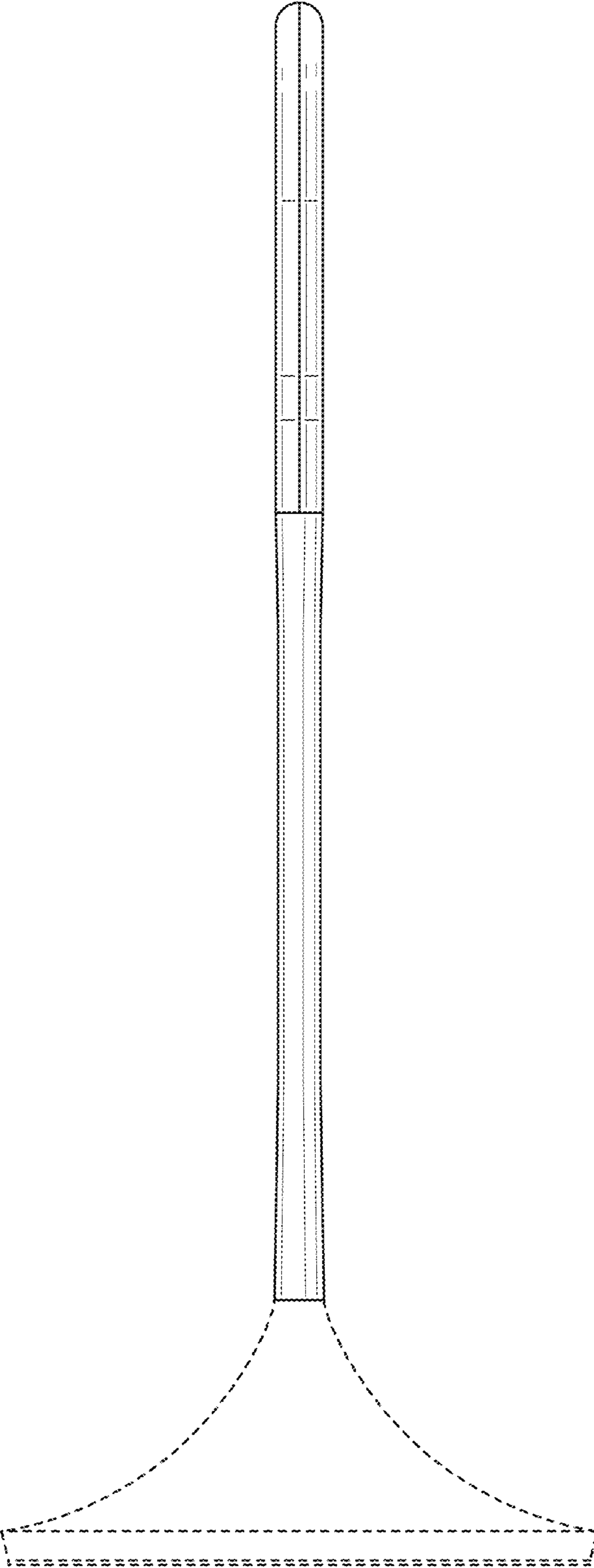


FIG. 4

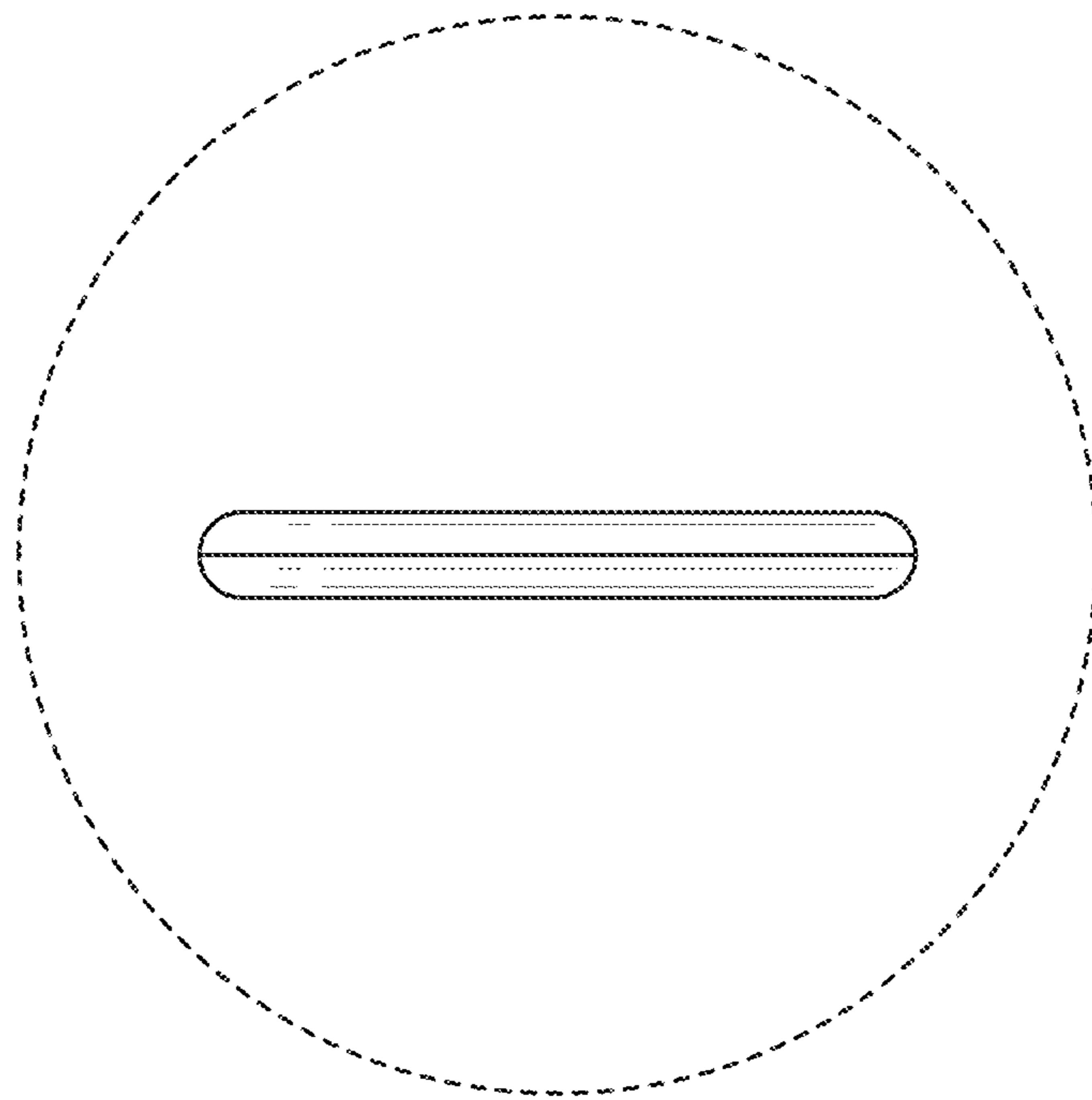


FIG. 5