



US00D773104S

(12) **United States Design Patent**  
**Kulbaski**

(10) **Patent No.:** **US D773,104 S**

(45) **Date of Patent:** **\*\* Nov. 29, 2016**

(54) **DIFFERENTIAL LAMP**

D506,566 S \* 6/2005 Price ..... D26/94  
D561,378 S \* 2/2008 Starck ..... D26/94

(71) Applicant: **James J. Kulbaski**, Fairfax Station, VA  
(US)

\* cited by examiner

(72) Inventor: **James J. Kulbaski**, Fairfax Station, VA  
(US)

*Primary Examiner* — Brian N Vinson

(\*\*) Term: **15 Years**

(57) **CLAIM**

The ornamental design for a differential lamp, as shown and described.

(21) Appl. No.: **29/530,406**

(22) Filed: **Jun. 16, 2015**

(51) **LOC (10) Cl.** ..... **26-03**

(52) **U.S. Cl.**  
USPC ..... **D26/94**

(58) **Field of Classification Search**  
USPC ..... D26/24, 93, 9, 106, 138, 141  
CPC ..... F21S 6/00; F21S 6/002; F21S 8/043;  
F21V 21/02; F21V 21/116; F21W 2131/30  
See application file for complete search history.

**DESCRIPTION**

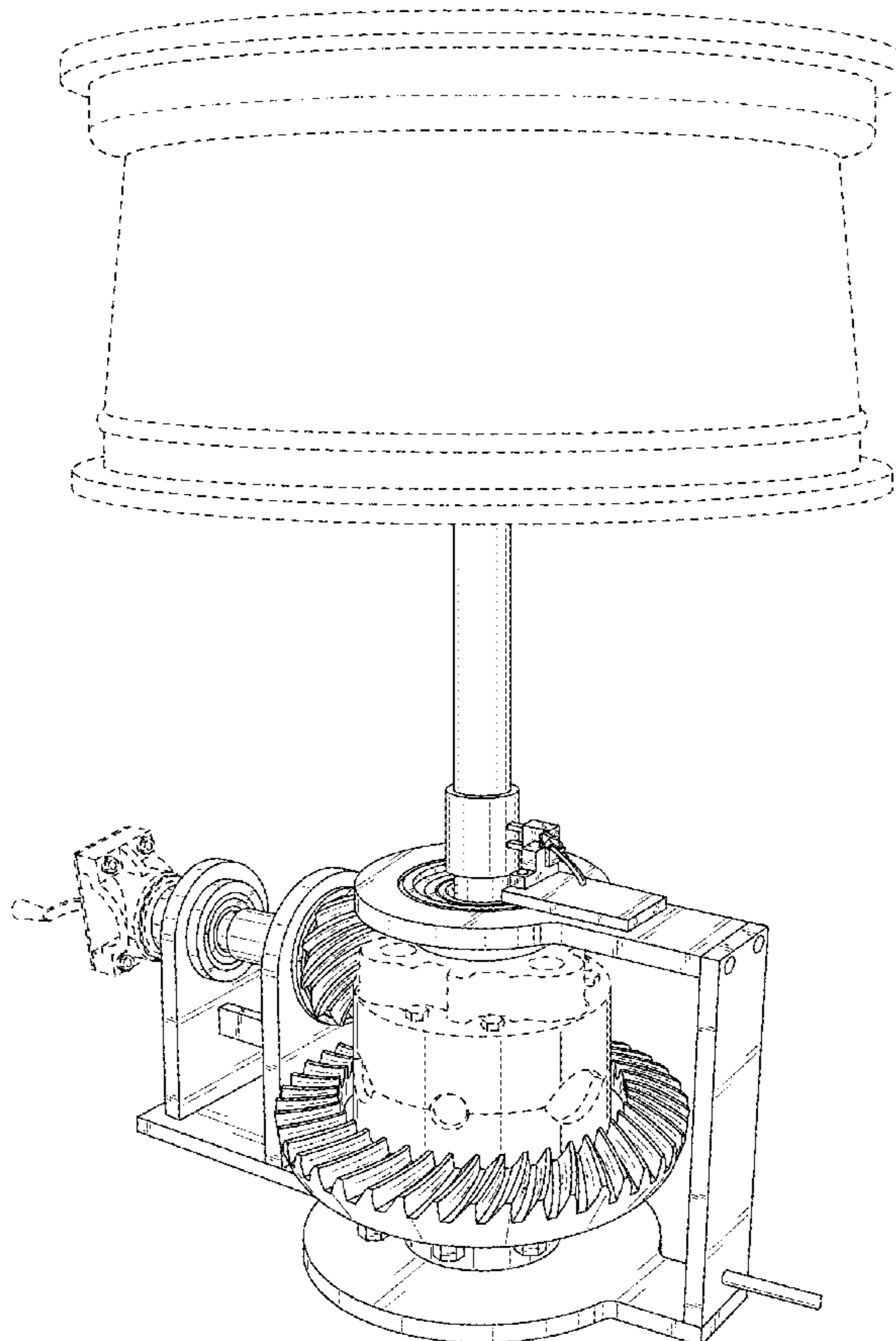
FIG. 1 is a front, top, and right side perspective view of a differential lamp;  
FIG. 2 is a front elevational view thereof;  
FIG. 3 is a rear elevational view thereof;  
FIG. 4 is a left side elevational view thereof;  
FIG. 5 is a right side elevational view thereof;  
FIG. 6 is a top plan view thereof; and,  
FIG. 7 is a bottom plan view thereof.  
The broken lines in the drawings represent portions of the lamp which form no part of the claimed design.

(56) **References Cited**

**U.S. PATENT DOCUMENTS**

D270,484 S \* 9/1983 White ..... D26/94

**1 Claim, 7 Drawing Sheets**



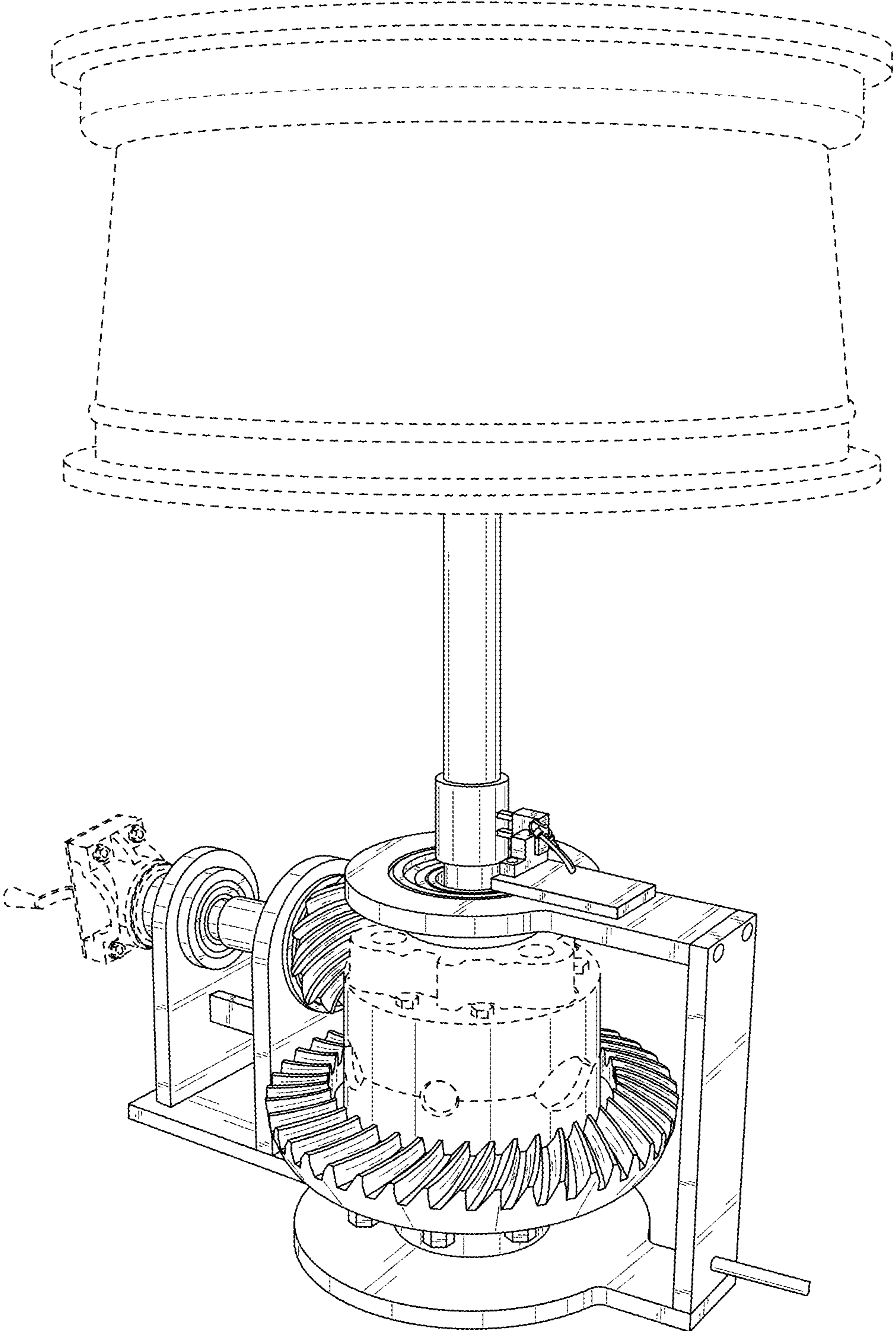


FIG. 1

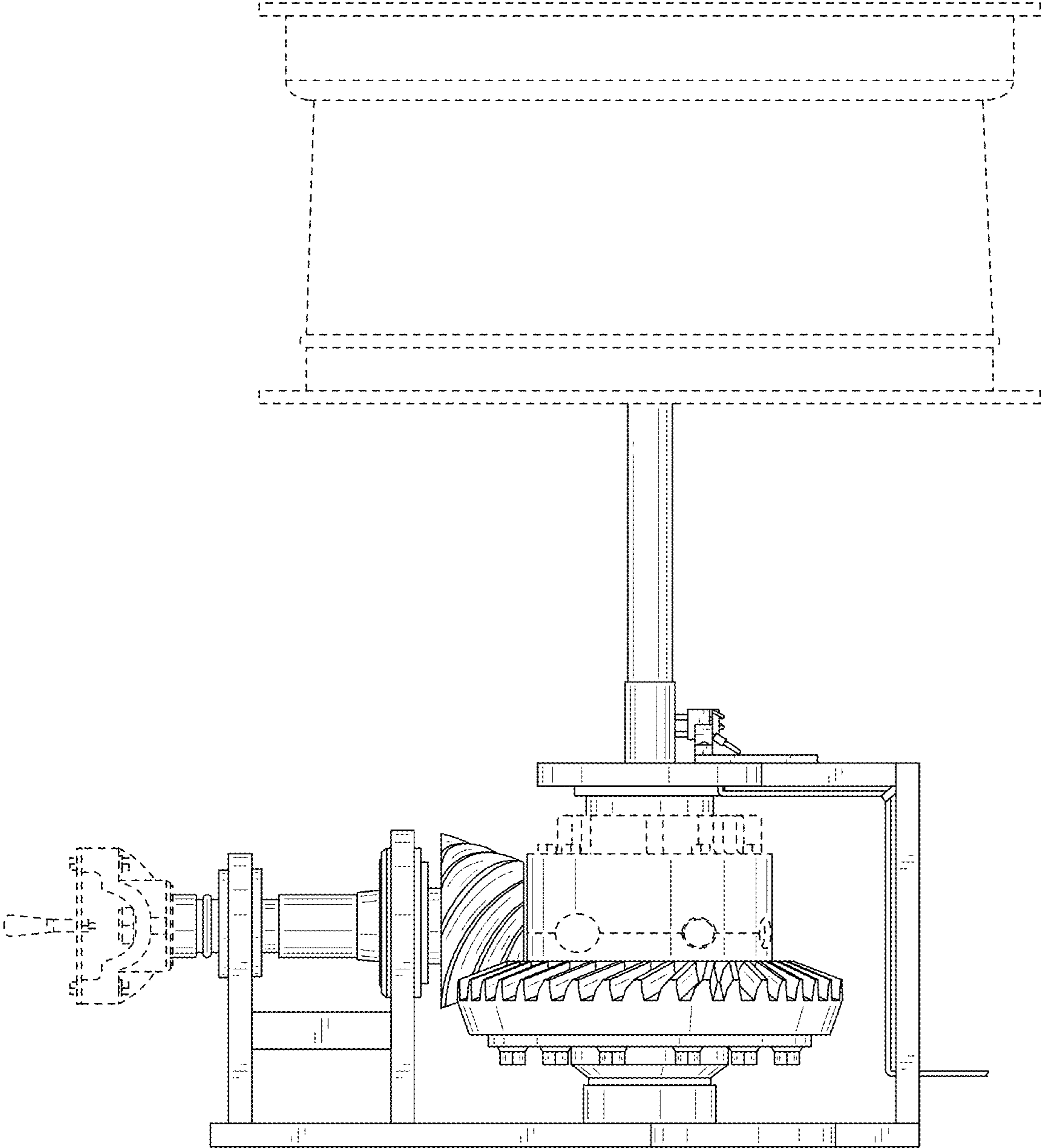


FIG. 2

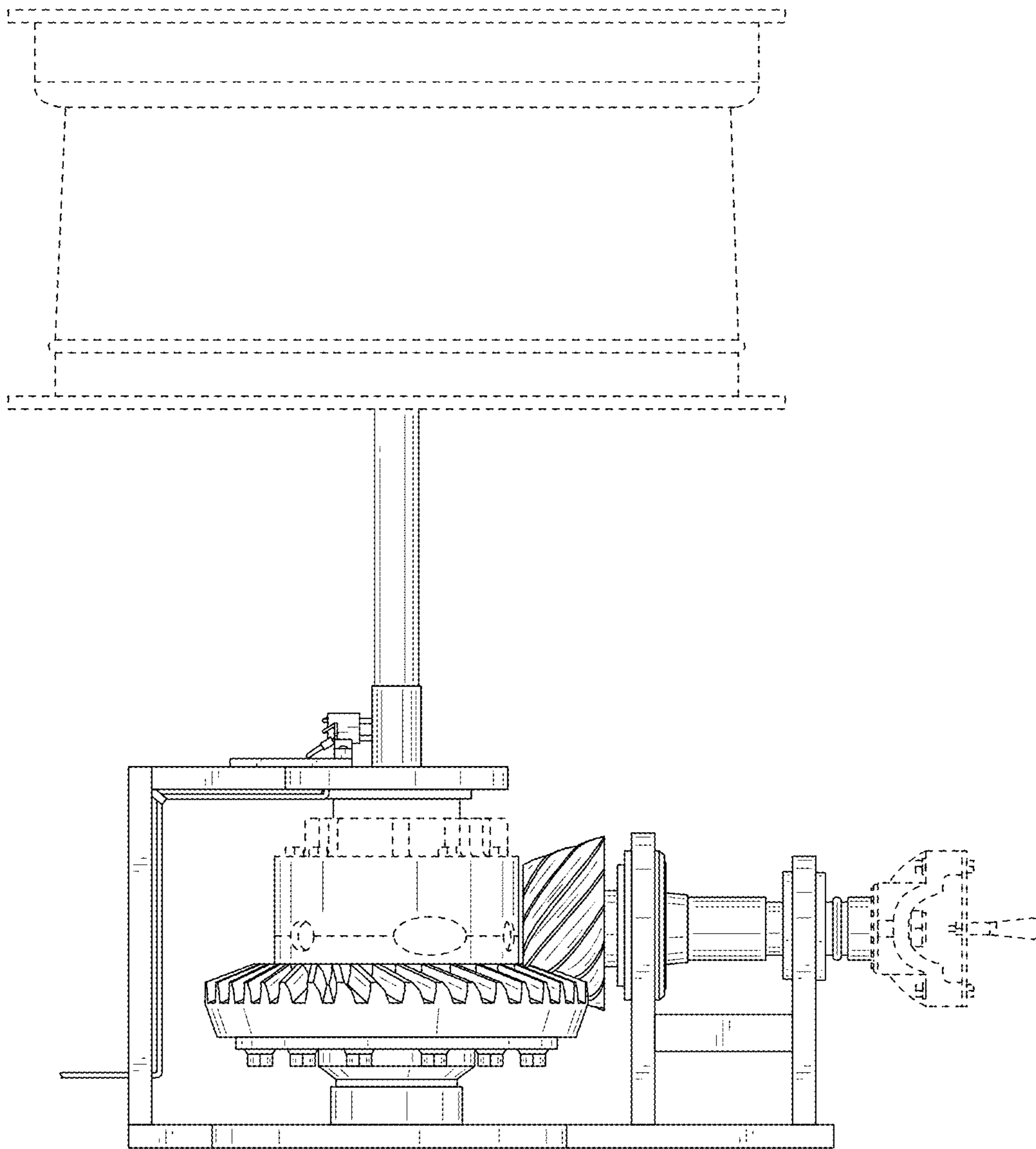


FIG. 3

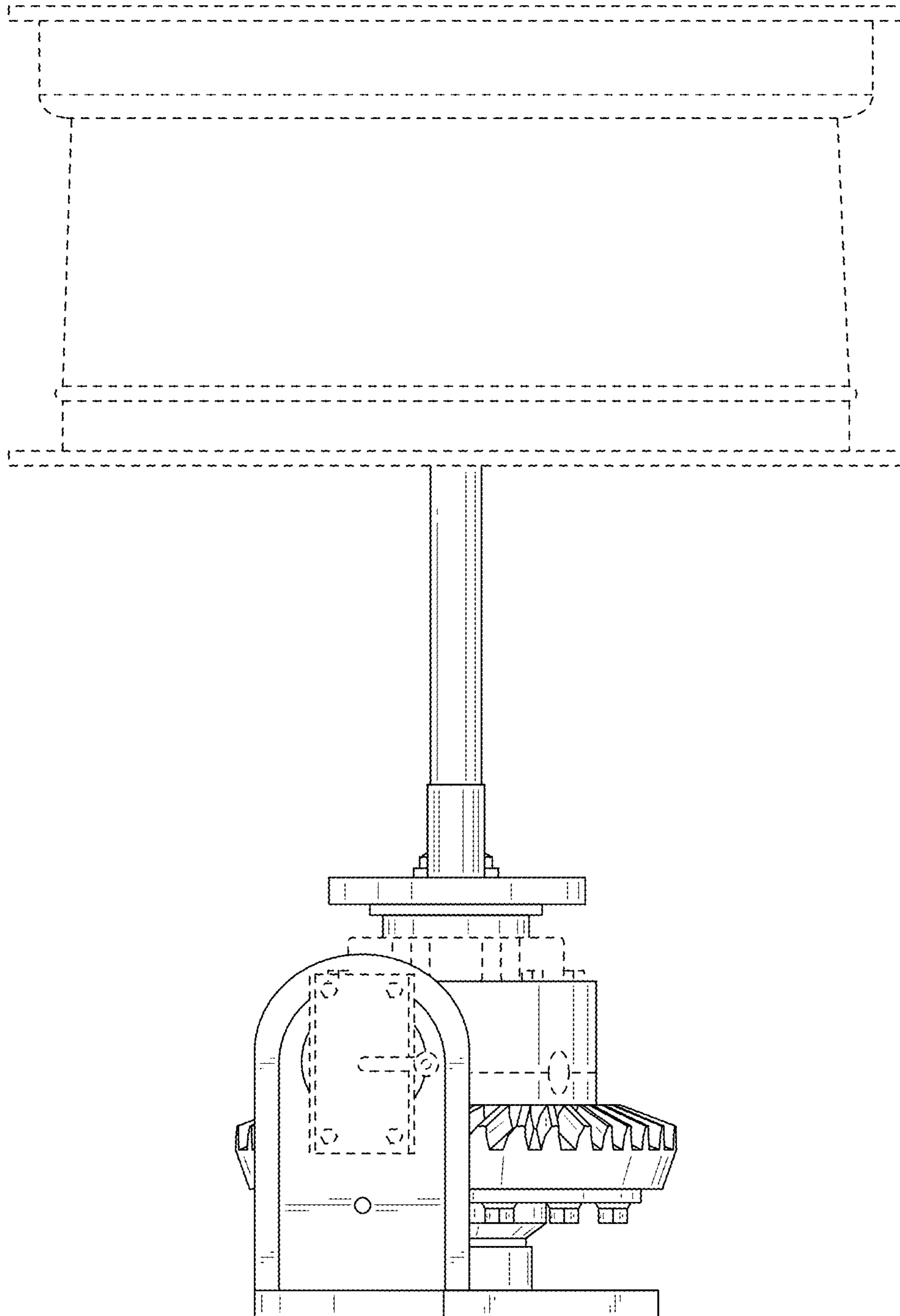


FIG. 4

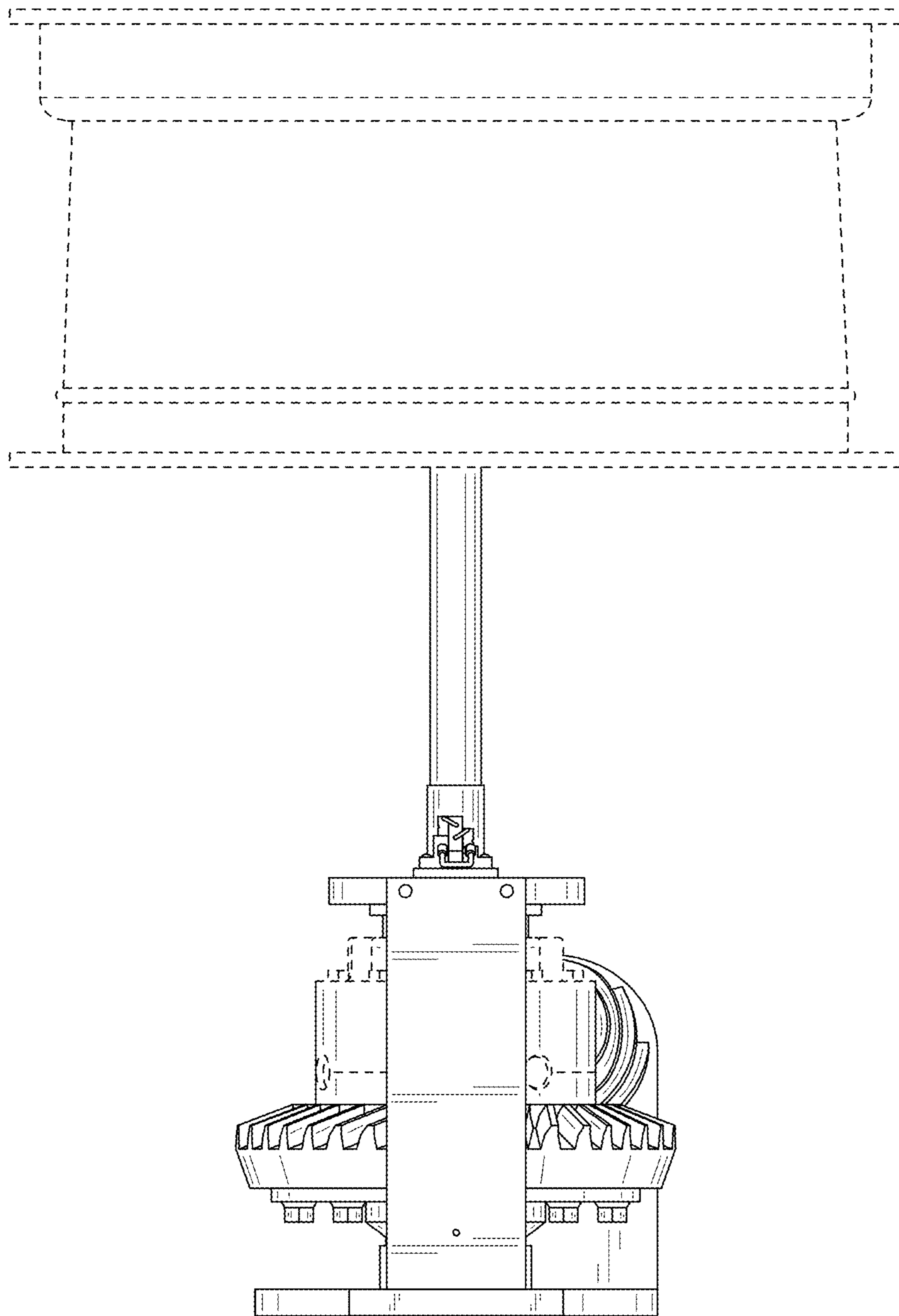


FIG. 5

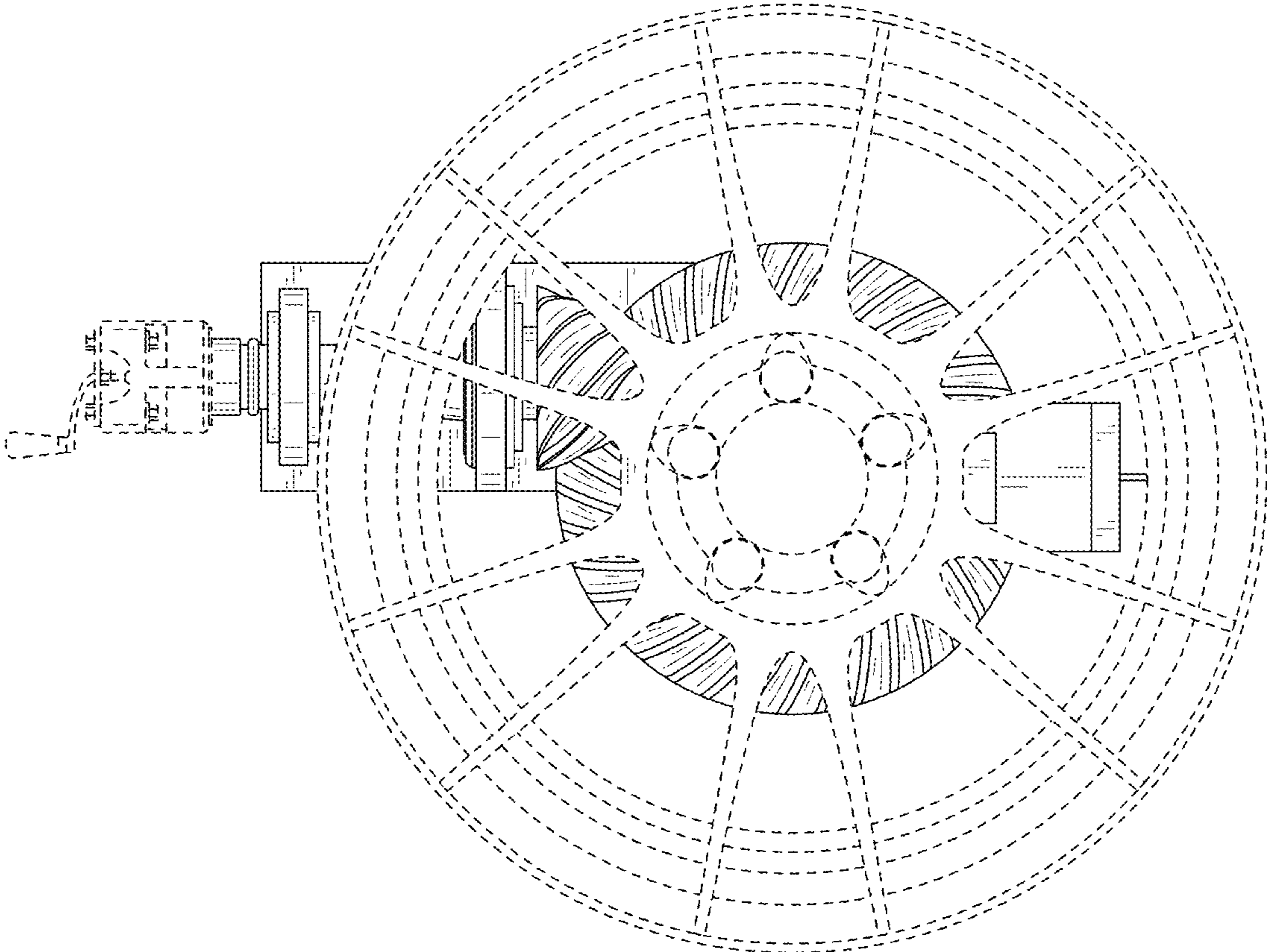


FIG. 6

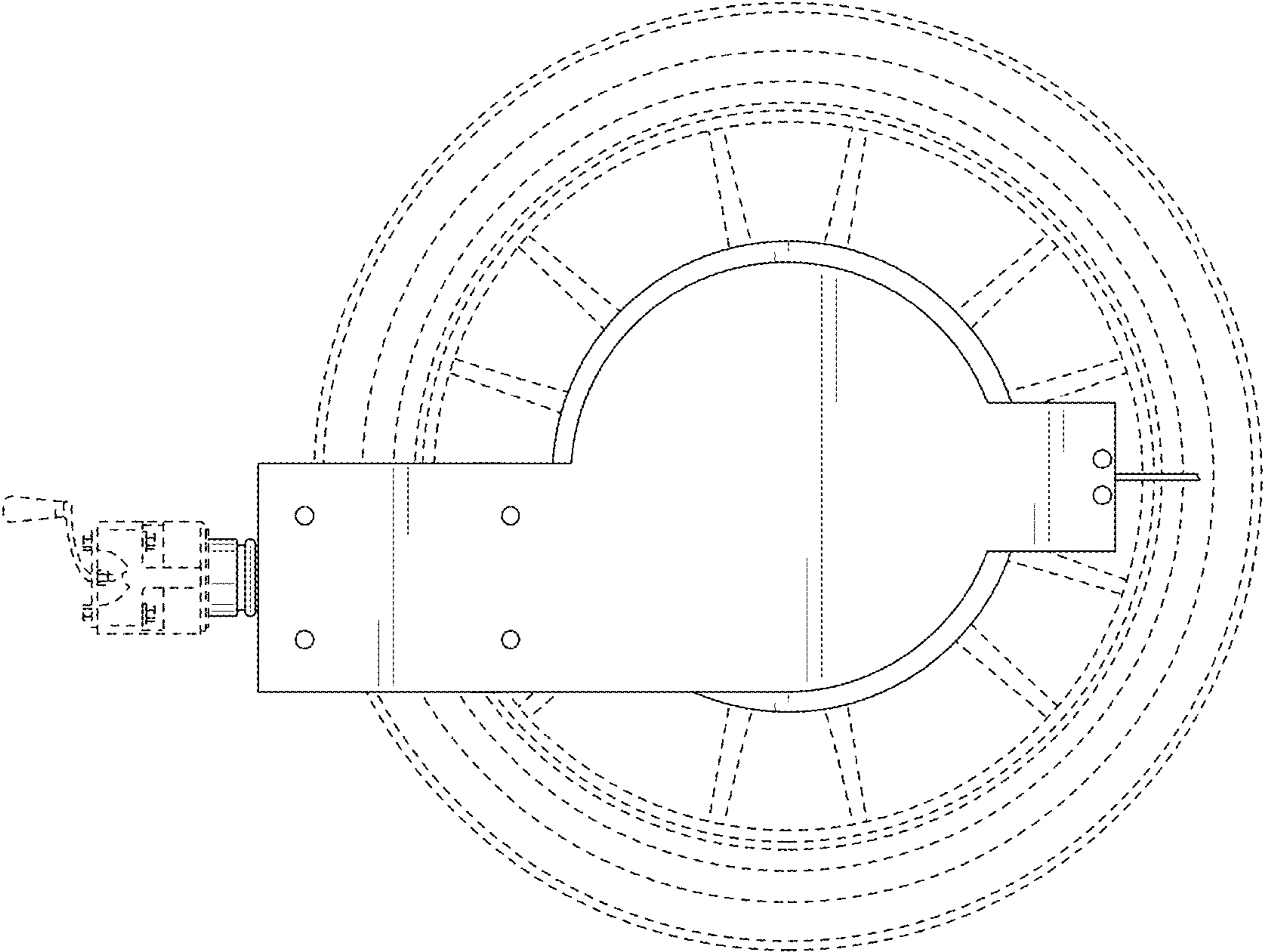


FIG. 7