



US00D773103S

(12) **United States Design Patent**
Recker et al.

(10) **Patent No.:** **US D773,103 S**

(45) **Date of Patent:** **** Nov. 29, 2016**

(54) **CEILING LIGHT**

(71) Applicants: **Michael V Recker**, Gaithersburg, MD
(US); **David B Levine**, Pepper Pike,
OH (US)

(72) Inventors: **Michael V Recker**, Gaithersburg, MD
(US); **David B Levine**, Pepper Pike,
OH (US)

(73) Assignee: **Wireless Environment, LLC**, Solon,
OH (US)

(**) Term: **15 Years**

(21) Appl. No.: **29/544,815**

(22) Filed: **Nov. 6, 2015**

(51) **LOC (10) Cl.** **26-03**

(52) **U.S. Cl.**
USPC **D26/89**

(58) **Field of Classification Search**
USPC D26/28, 67, 72, 83, 89, 91, 118
CPC F21S 8/04; F21S 8/033; F21S 8/036;
F21S 13/02

See application file for complete search history.

(56) **References Cited**

U.S. PATENT DOCUMENTS

- 2,255,431 A * 9/1941 Marden C09K 11/025
220/2.1 R
- D169,972 S * 7/1953 Glatthar et al. D26/89
- 3,593,021 A * 7/1971 Auerbach F21V 17/105
362/434
- D232,050 S * 7/1974 Gore et al. D26/88
- 3,836,766 A * 9/1974 Auerbach F21S 8/033
362/311.14
- D490,182 S * 5/2004 Benensohn D26/79

- D556,938 S * 12/2007 Russello D26/89
- D571,034 S * 6/2008 Goetz-Schaefer D26/85
- D634,053 S * 3/2011 Guercio D26/89
- D657,088 S * 4/2012 Miro D26/85
- D667,985 S * 9/2012 Gielen D26/89
- D668,811 S * 10/2012 Peter D26/89
- D723,210 S * 2/2015 Highbridge D26/89
- 2007/0253192 A1* 11/2007 Monteiro F21V 15/00
362/147
- 2009/0034261 A1* 2/2009 Grove F21S 8/02
362/294
- 2015/0049511 A1* 2/2015 Tarsa G02B 6/305
362/612
- 2016/0018093 A1* 1/2016 Van Winkle F21V 23/006
362/311.02

* cited by examiner

Primary Examiner — Clare E Heflin

(74) *Attorney, Agent, or Firm* — Finnegan, Henderson,
Farabow, Garrett & Dunner LLP

(57) **CLAIM**

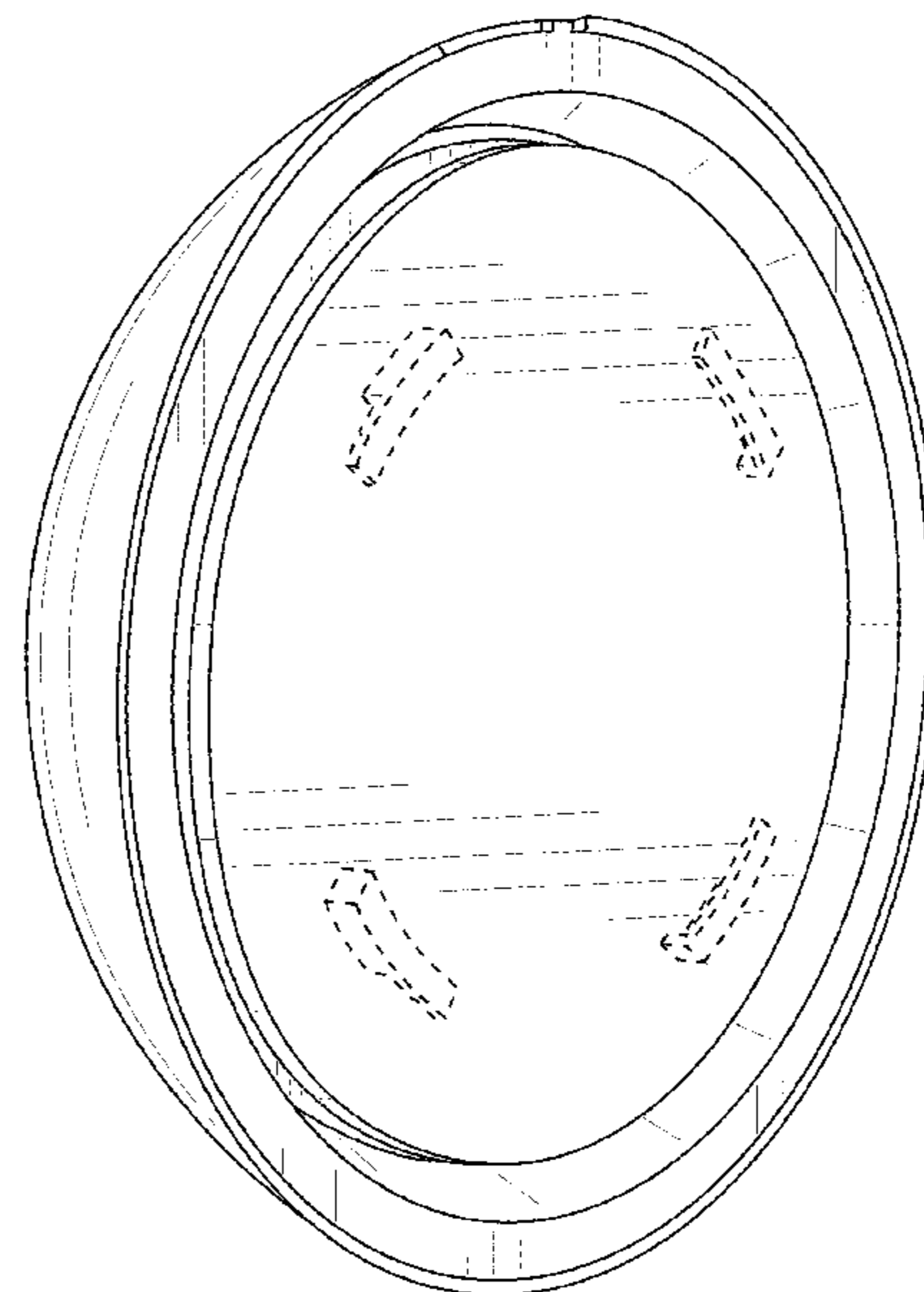
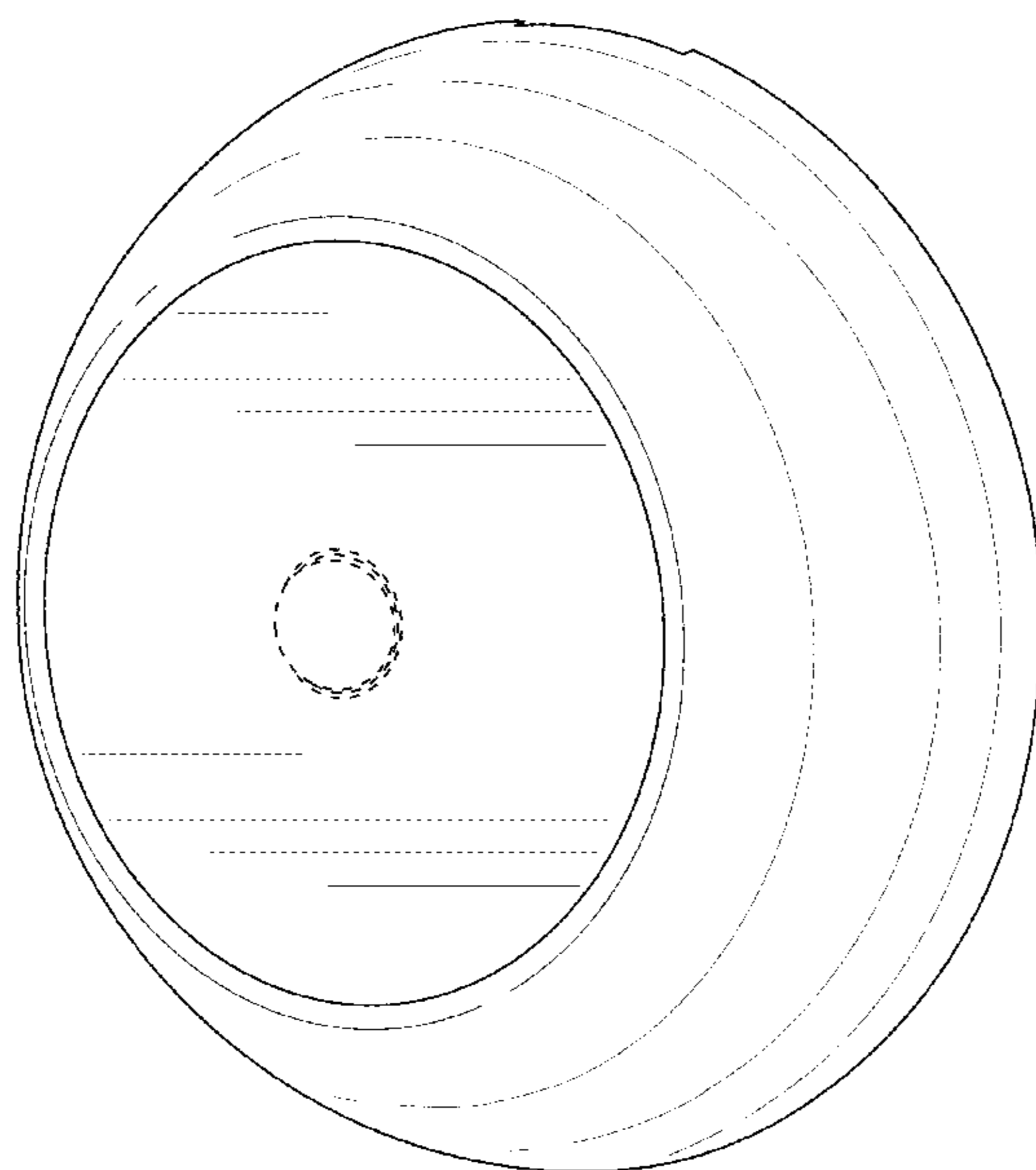
The ornamental design for a ceiling light, as shown and described.

DESCRIPTION

FIG. 1 is a front right perspective view of a ceiling light showing our new design;
 FIG. 2 is a rear right perspective view thereof;
 FIG. 3 is a front elevation view thereof;
 FIG. 4 is a rear elevation view thereof;
 FIG. 5 is a top plan view thereof;
 FIG. 6 is a bottom view thereof;
 FIG. 7 is a right side view thereof; and,
 FIG. 8 is a left side view thereof.

The broken lines shown in the drawings illustrate portions of the ceiling light that form no part of the claimed design.

1 Claim, 8 Drawing Sheets



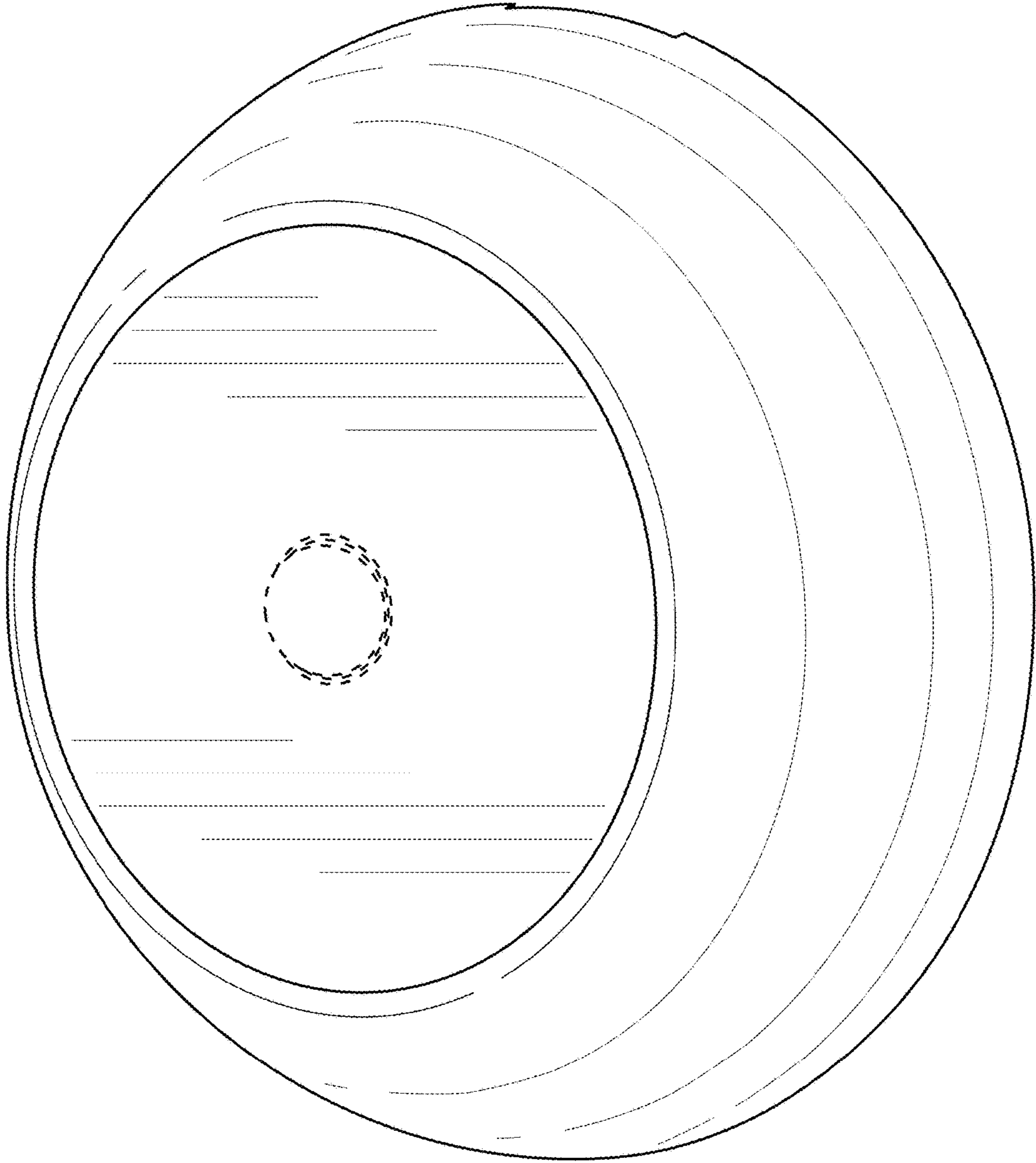


FIG. 1

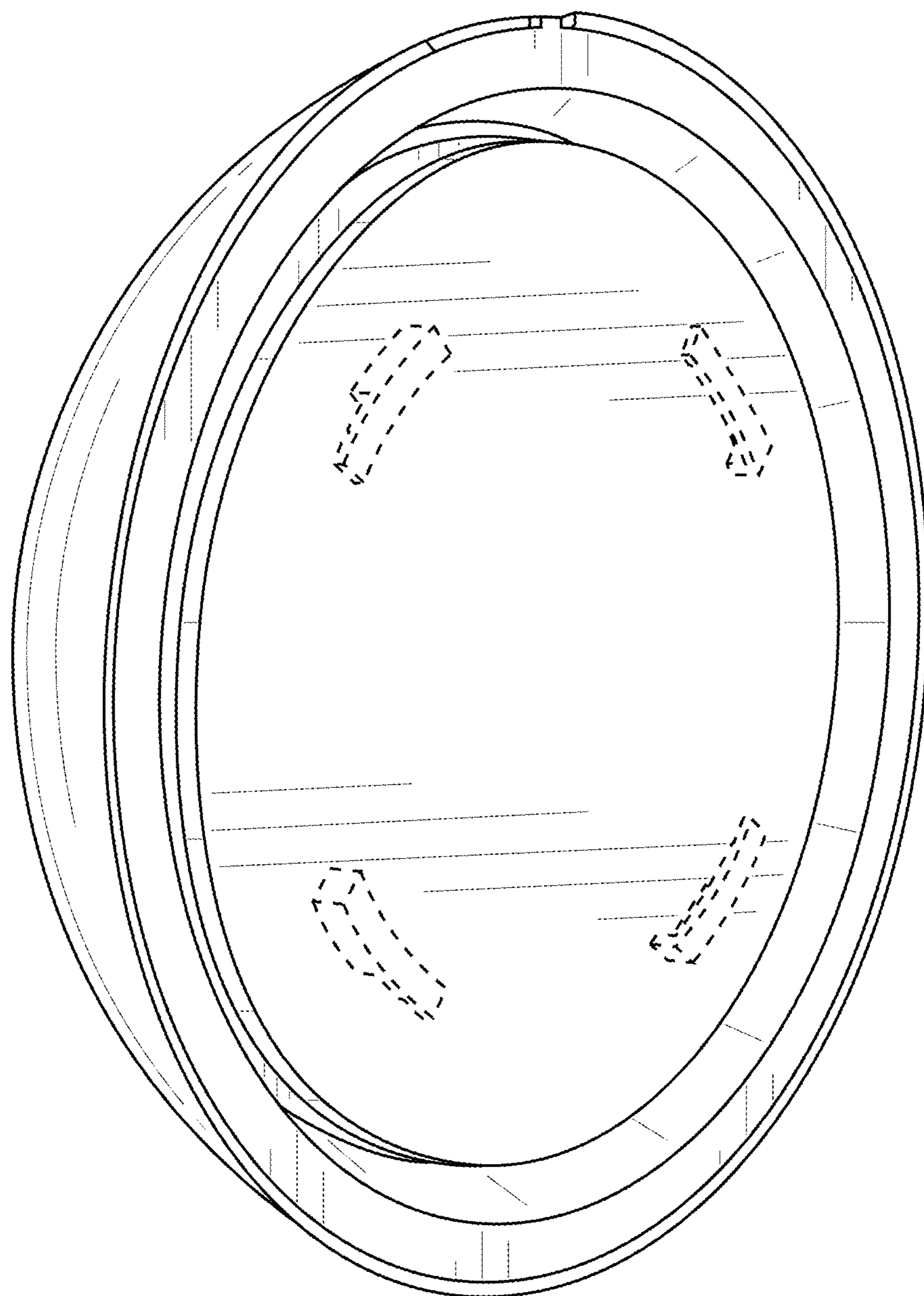


FIG. 2

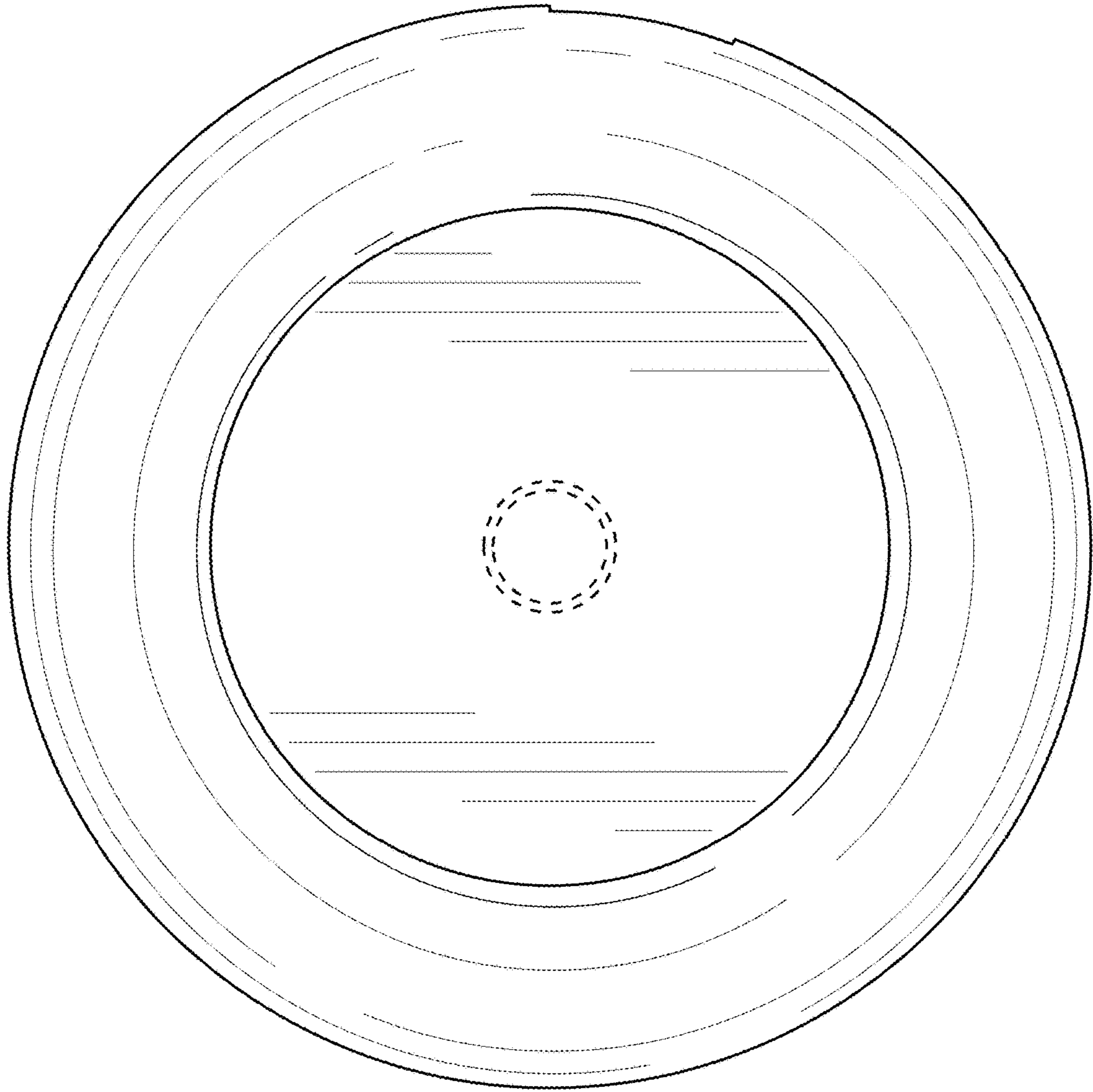


FIG. 3

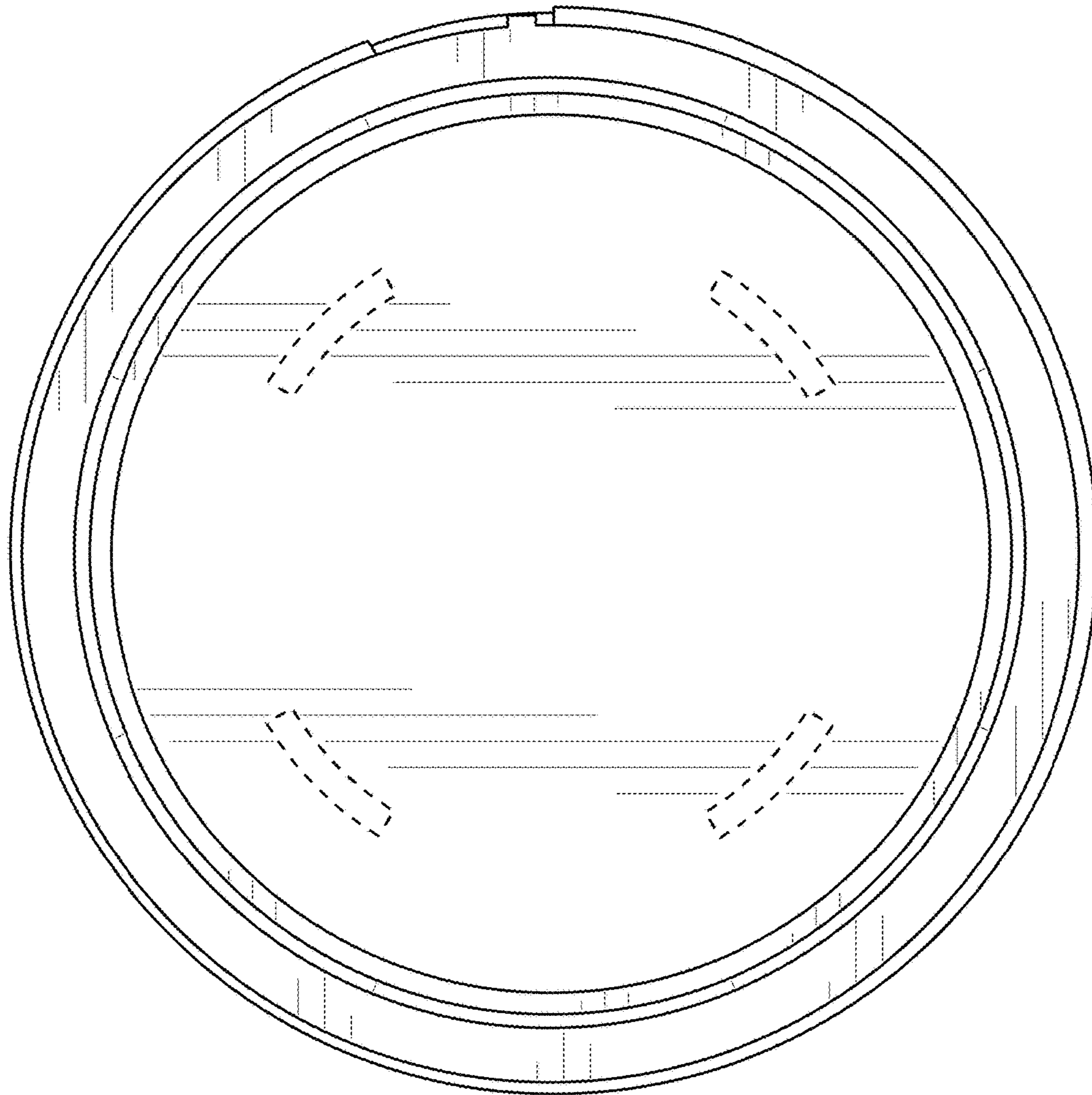


FIG. 4

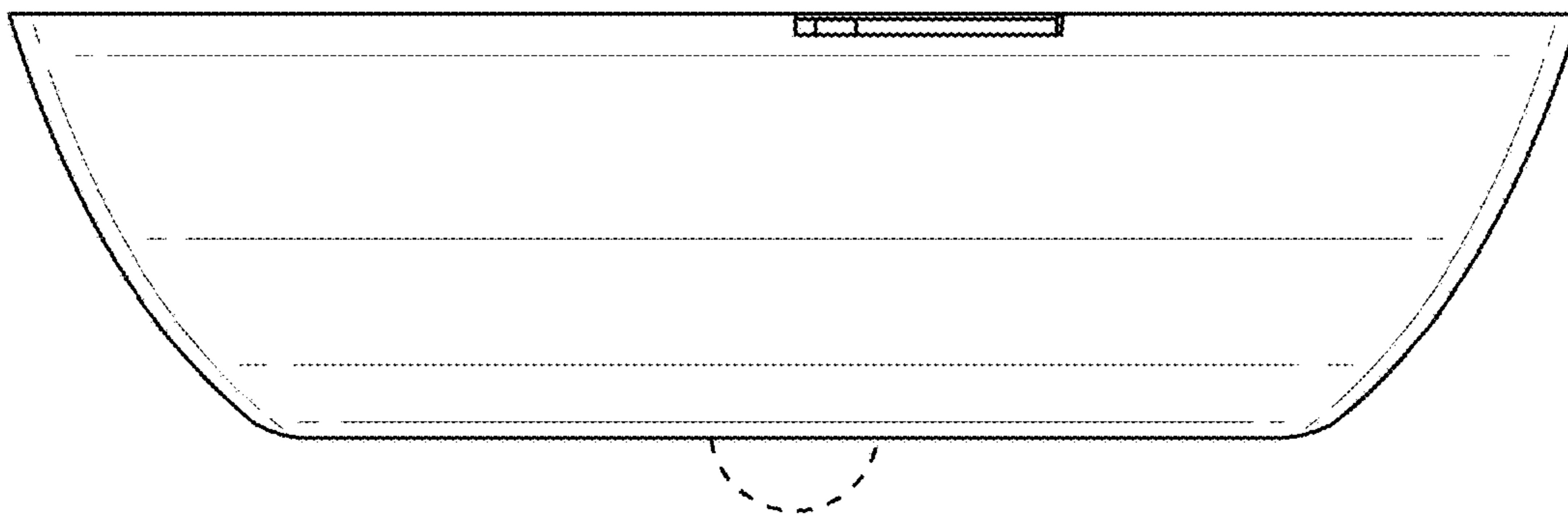


FIG. 5

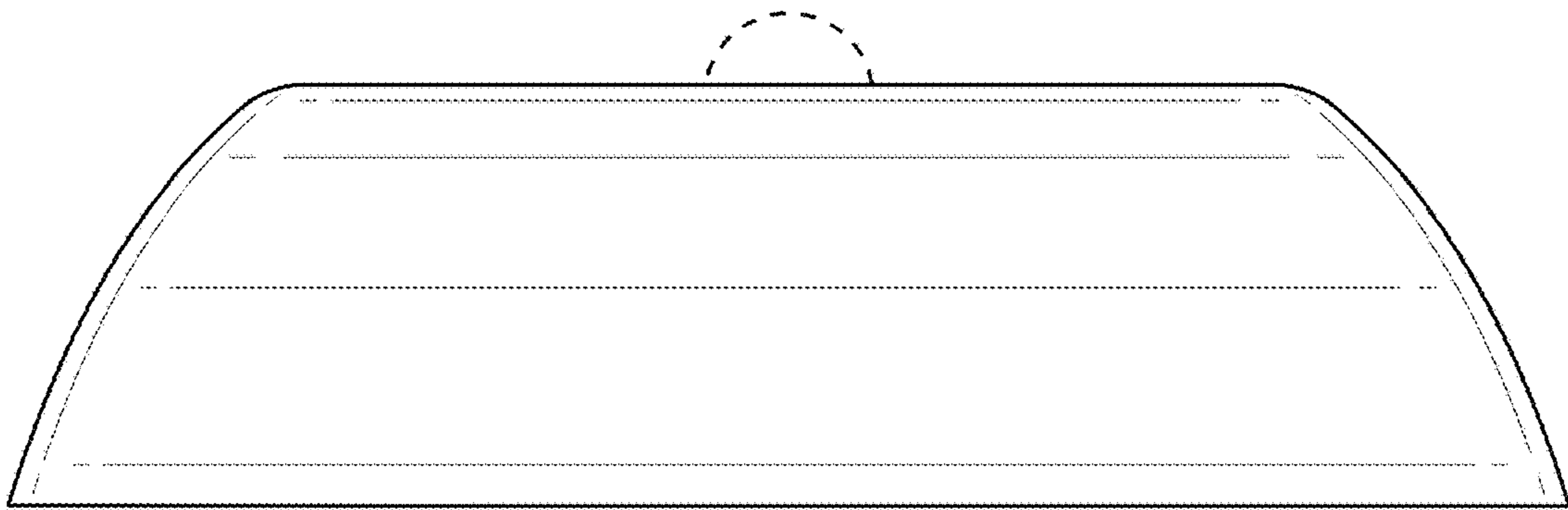


FIG. 6

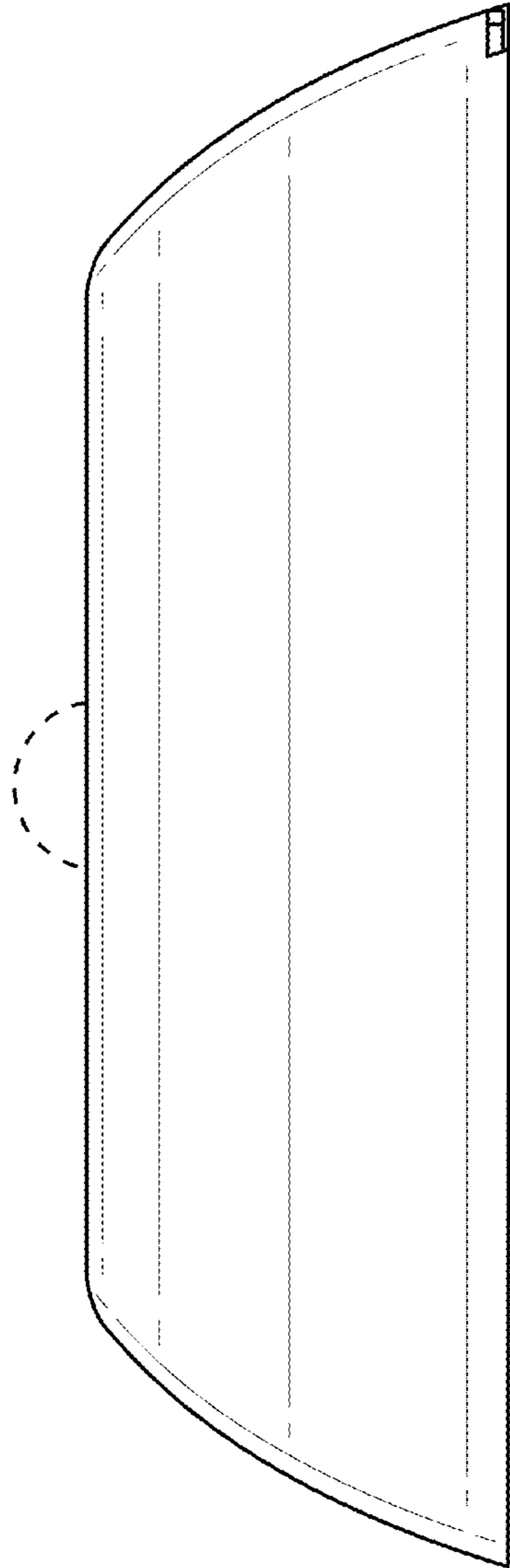


FIG. 7

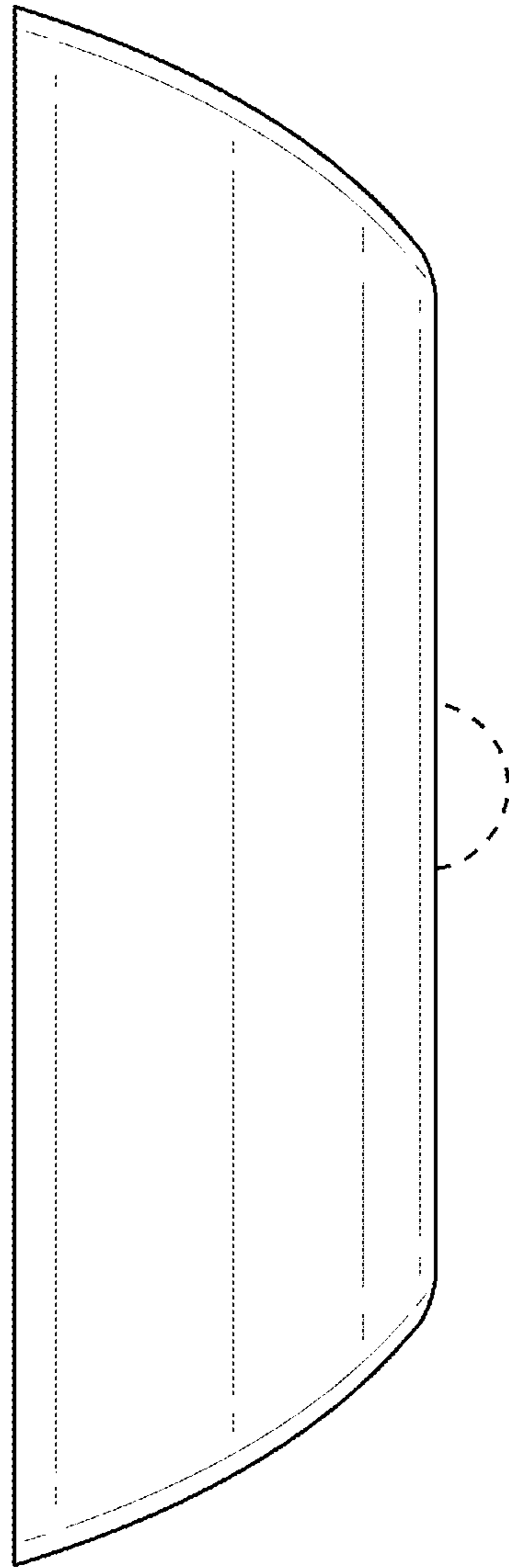


FIG. 8