



US00D773102S

(12) **United States Design Patent**
Meise

(10) **Patent No.:** **US D773,102 S**

(45) **Date of Patent:** **** Nov. 29, 2016**

(54) **LIGHT FIXTURE**

(71) Applicant: **Axel Meise**, Munich (DE)

(72) Inventor: **Axel Meise**, Munich (DE)

(73) Assignee: **MEISE UND KÜGLER GBR**,
Steinebach (DE)

(**) Term: **15 Years**

(21) Appl. No.: **29/539,761**

(22) Filed: **Sep. 17, 2015**

(30) **Foreign Application Priority Data**

Mar. 18, 2015 (EM) 002658310-0001

(51) **LOC (10) Cl.** **26-03**

(52) **U.S. Cl.**
USPC **D26/89**

(58) **Field of Classification Search**
USPC D26/72, 83, 89, 91, 118
CPC F21S 8/04; F21S 8/033; F21S 8/036;
F21S 13/02
See application file for complete search history.

(56) **References Cited**

U.S. PATENT DOCUMENTS

3,836,766 A * 9/1974 Auerbach F21S 8/033
362/311.14
D406,674 S * 3/1999 Zuege D26/85
D443,713 S * 6/2001 Benensohn D26/72

D503,489 S * 3/2005 Yurich D26/85
D567,429 S * 4/2008 Pickett D26/128
D607,138 S * 12/2009 Pickett D26/128
D607,600 S * 1/2010 Keith D26/104
D656,264 S * 3/2012 Janssen D26/85
2007/0253192 A1* 11/2007 Monteiro F21V 15/00
362/147
2009/0034261 A1* 2/2009 Grove F21S 8/02
362/294
2011/0170294 A1* 7/2011 Mier-Langner F21S 8/02
362/294
2012/0262921 A1* 10/2012 Boomgaarden F21S 8/026
362/249.02
2015/0346413 A1* 12/2015 Kadoriku G02B 6/0016
362/613

* cited by examiner

Primary Examiner — Clare E Heflin

(74) *Attorney, Agent, or Firm* — Hassan Abbas Shakir;
Katten Muchin Rosenman LLP

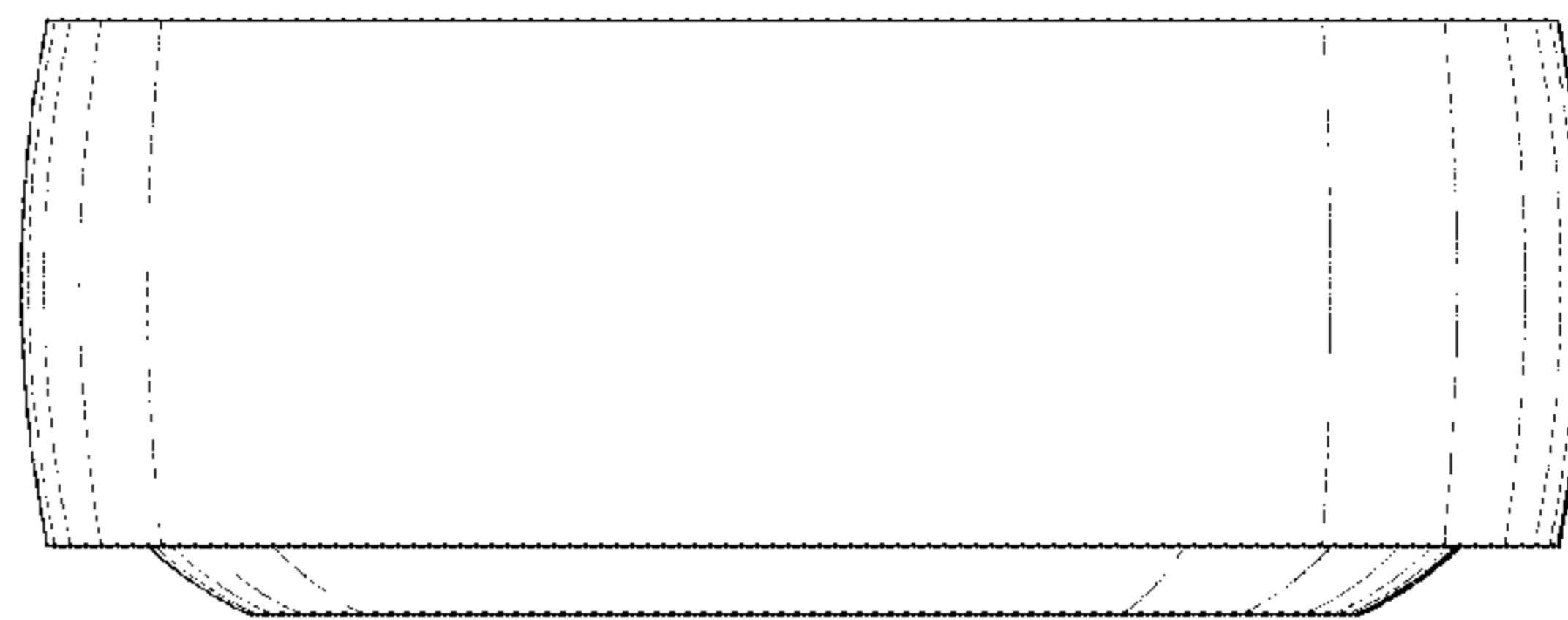
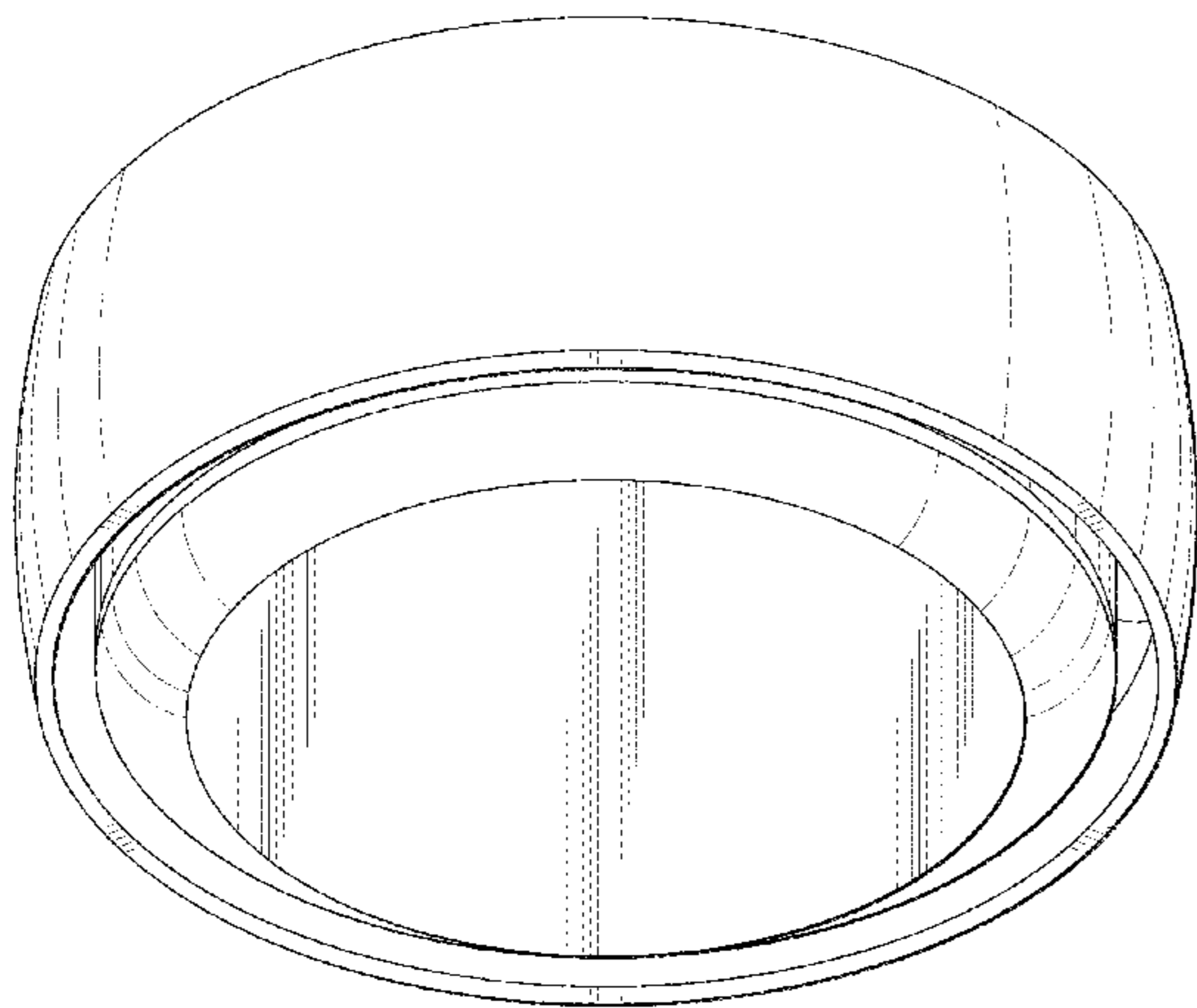
(57) **CLAIM**

The ornamental design for the light fixture, as shown and described.

DESCRIPTION

FIG. 1 is an isometric view of the light fixture;
FIG. 2 is a bottom view of the light fixture;
FIG. 3 is a front view of the light fixture;
FIG. 4 is a right-side view of the light fixture;
FIG. 5 is a left-side view of the light fixture;
FIG. 6 is a rear view of the light fixture; and,
FIG. 7 is a top view of the light fixture.

1 Claim, 7 Drawing Sheets



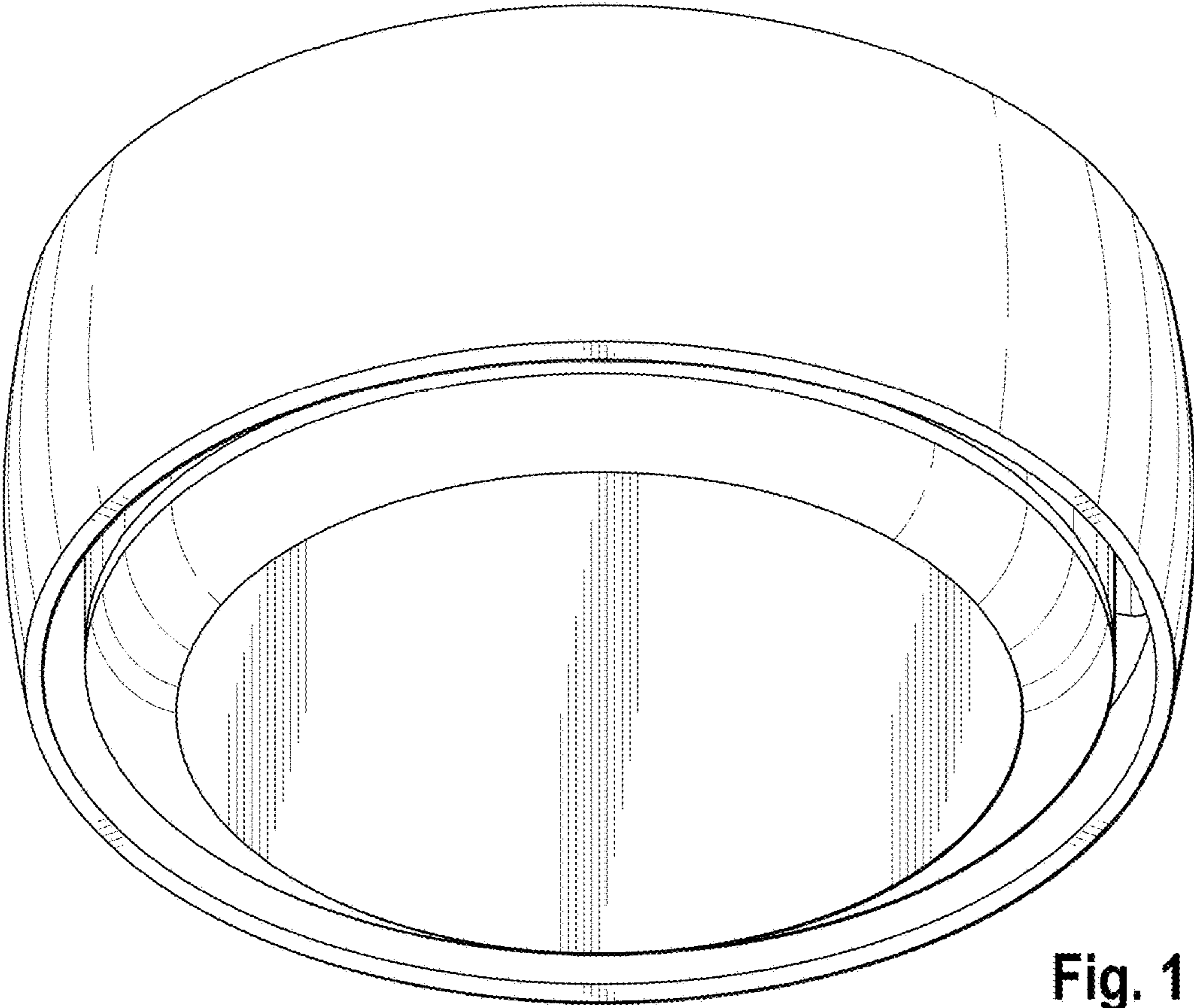


Fig. 1

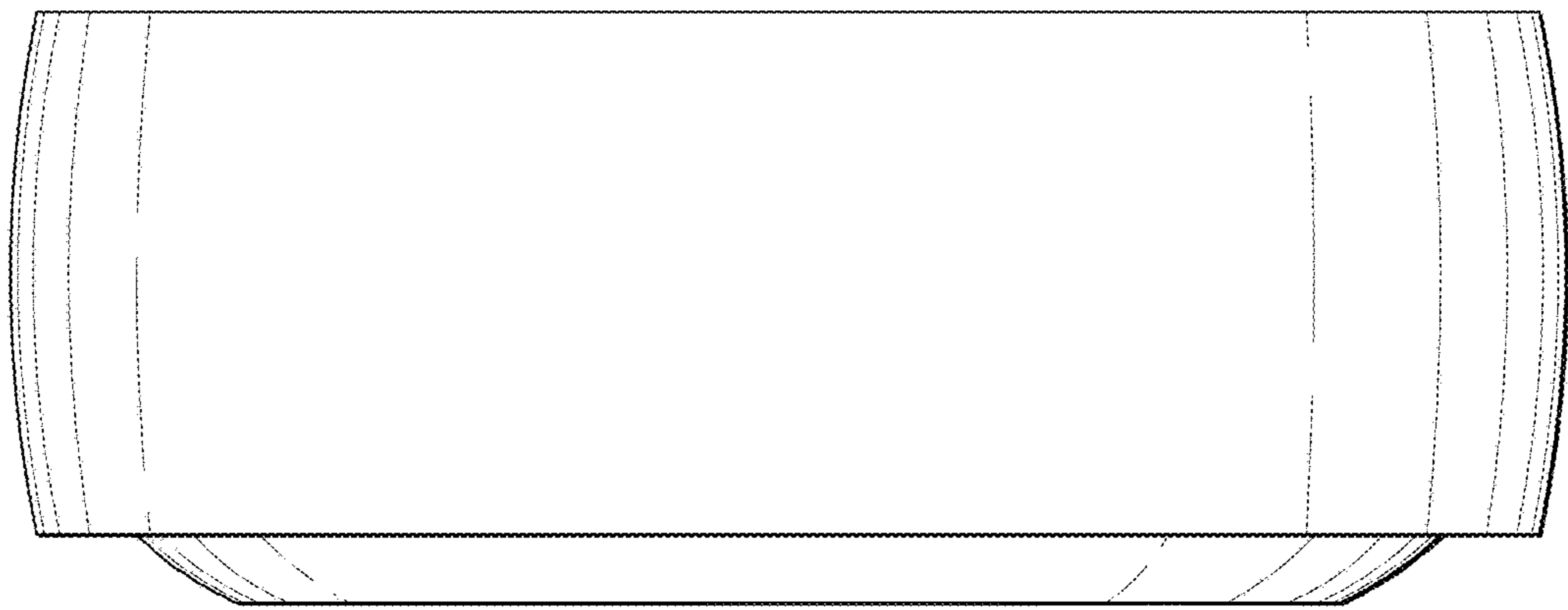


Fig. 2

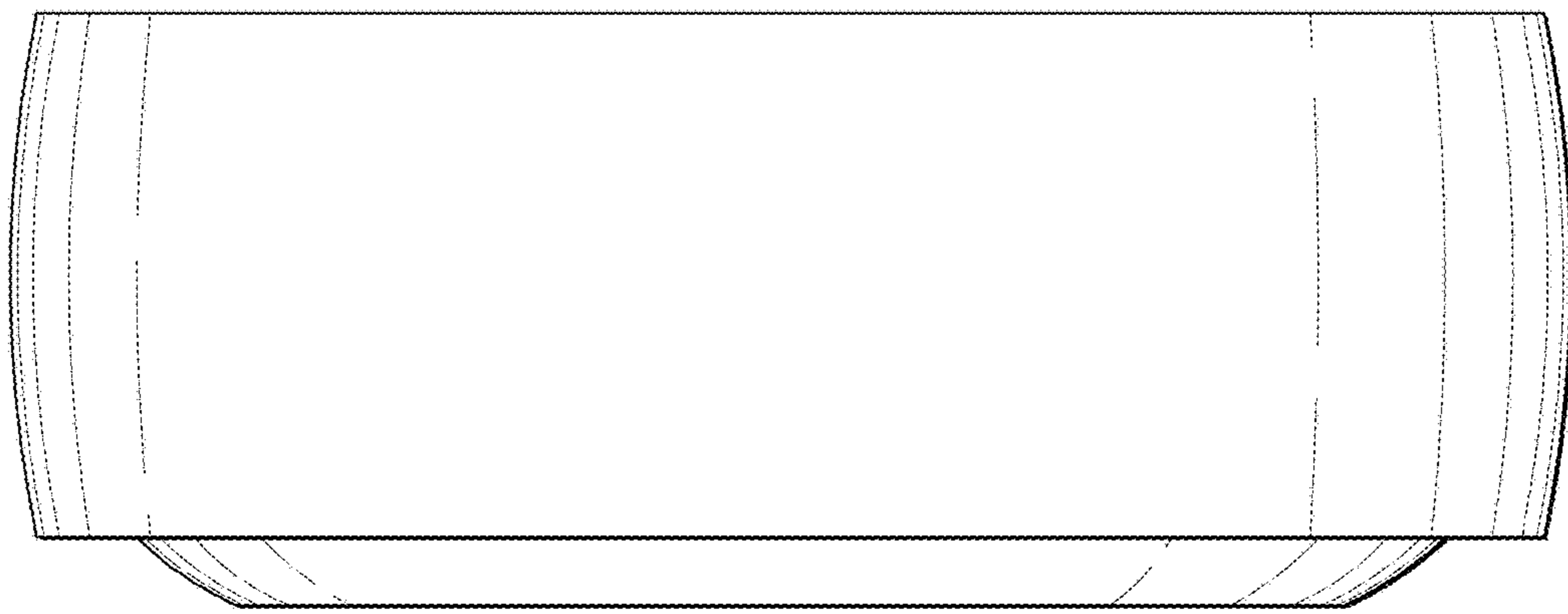


Fig. 3

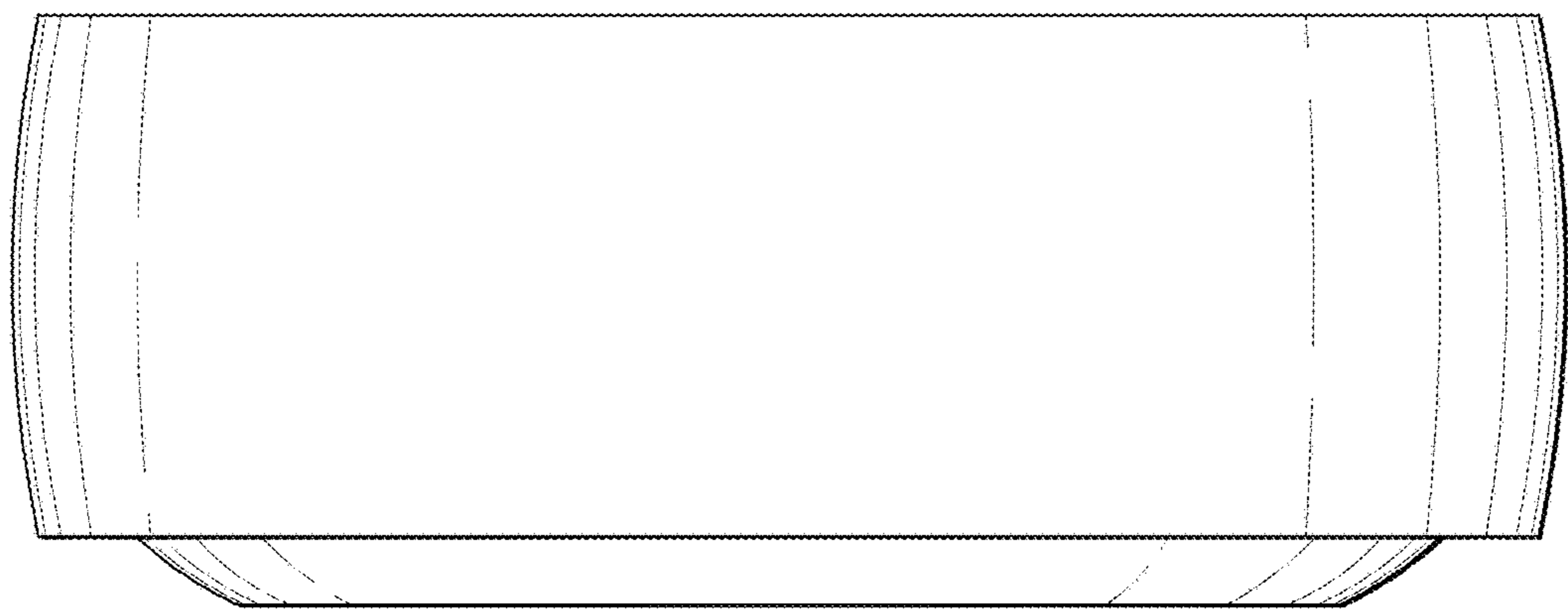


Fig. 4

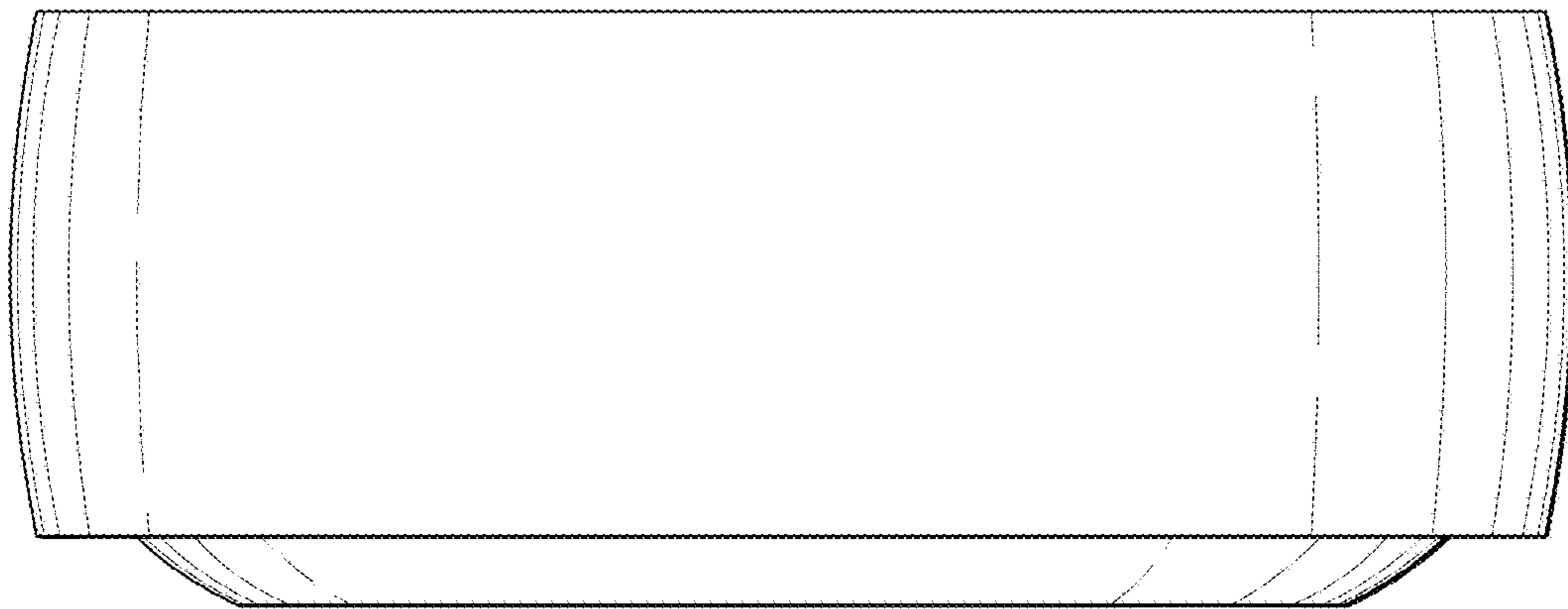


Fig. 5

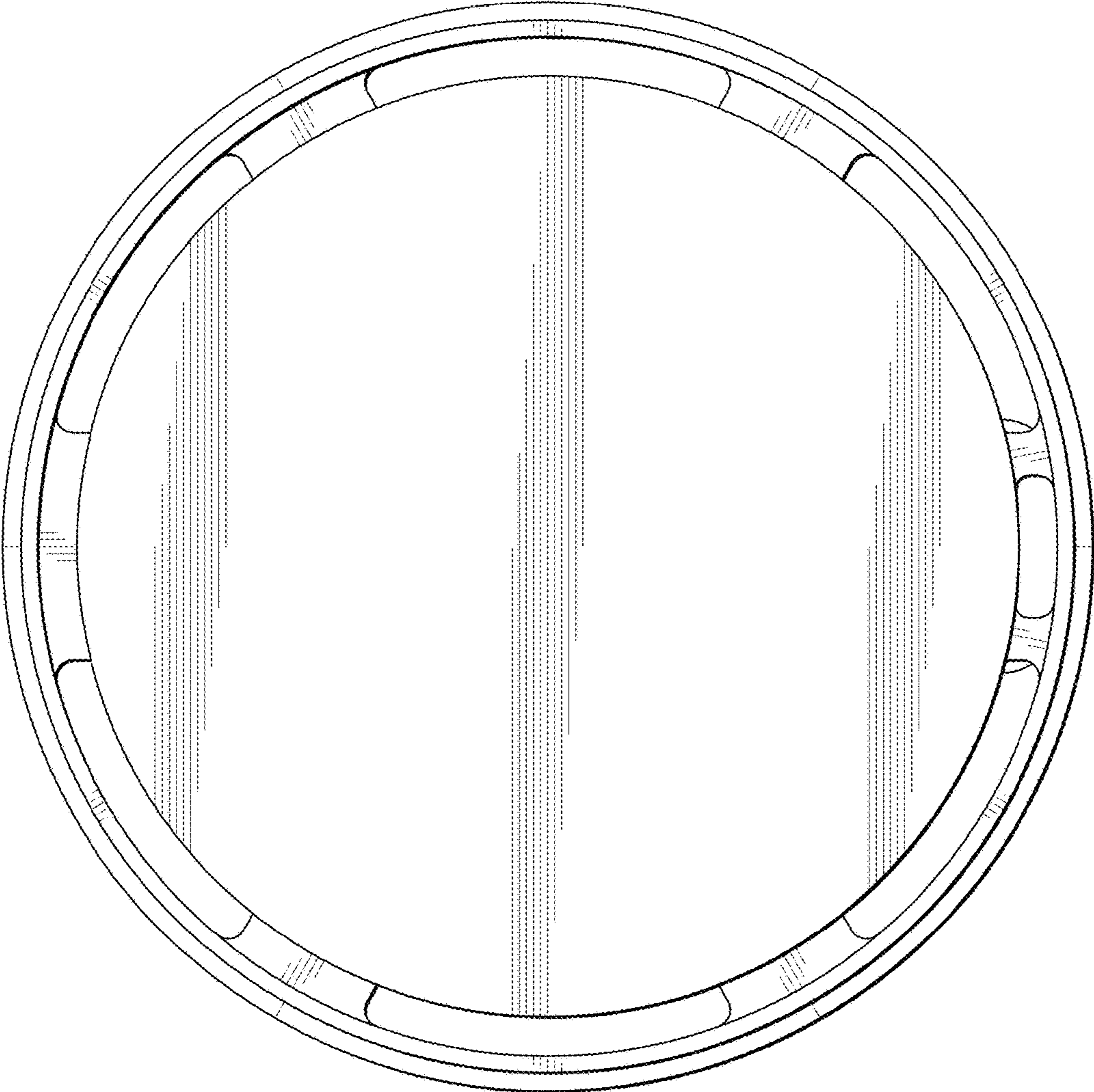


Fig. 6

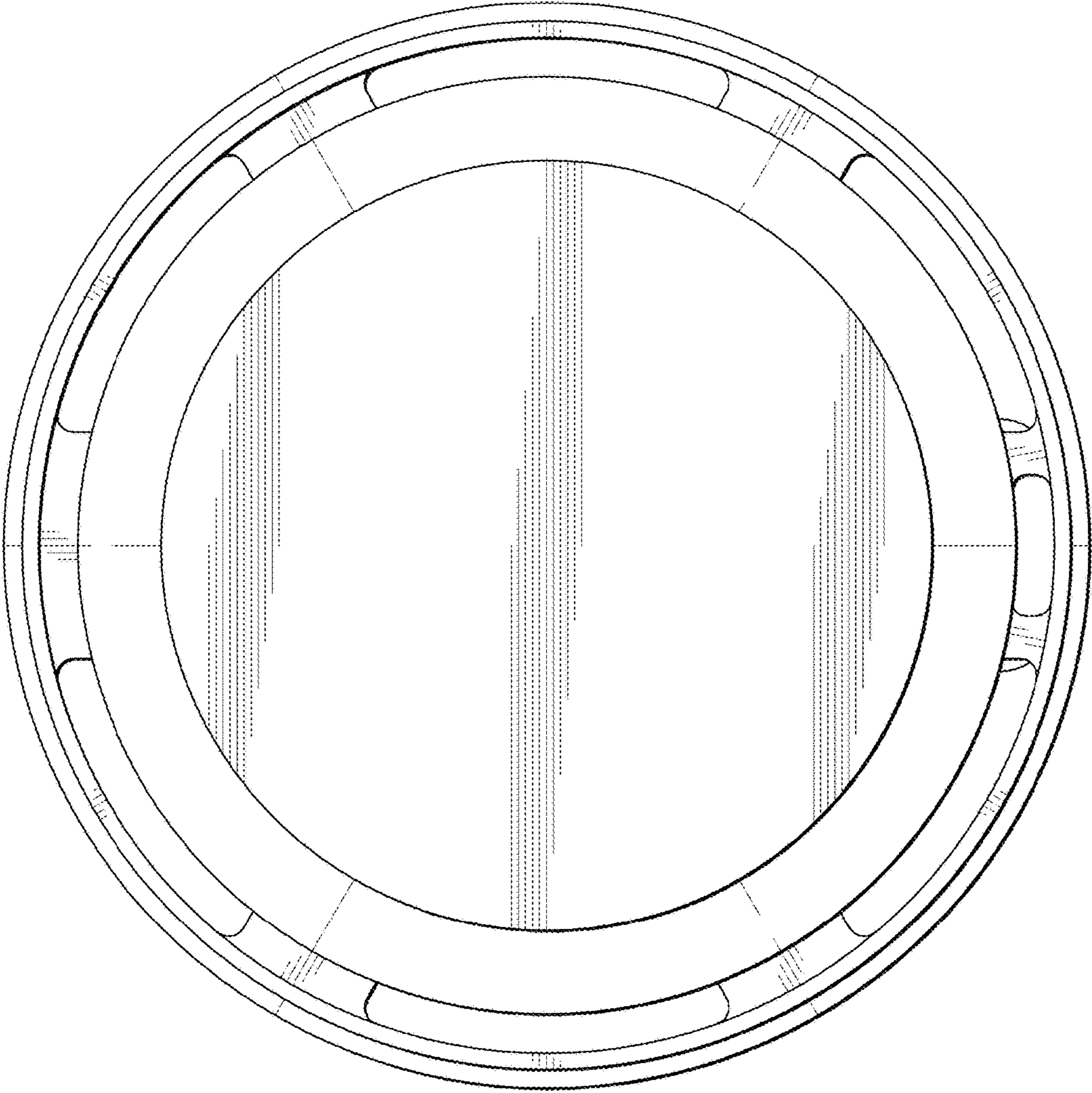


Fig. 7