



US00D773100S

(12) **United States Design Patent**  
**Guercio et al.**

(10) **Patent No.:** **US D773,100 S**

(45) **Date of Patent:** **\*\* Nov. 29, 2016**

- (54) **WALLPACK LED LIGHT FIXTURE**
- (71) Applicant: **RAB Lighting Inc.**, Northvale, NJ (US)
- (72) Inventors: **Vincenzo Guercio**, Wallkill, NY (US);  
**Jiang Hu**, Ningbo (CN)
- (73) Assignee: **RAB Lighting Inc.**, Northvale, NJ (US)
- (\*\*) Term: **15 Years**
- (21) Appl. No.: **29/541,488**
- (22) Filed: **Oct. 5, 2015**
- (51) **LOC (10) Cl.** ..... **26-03**
- (52) **U.S. Cl.**  
USPC ..... **D26/85**
- (58) **Field of Classification Search**  
USPC ..... D26/72, 76, 77, 78, 80, 85, 89, 142,  
D26/121, 122  
CPC ..... F21S 8/03; F21S 8/031; F21S 8/033;  
F21S 8/036; F21S 9/03; F21S 9/037; F21V  
21/025; F21V 17/08; F21V 17/10  
See application file for complete search history.

D272,193 S	1/1984	Sangiarno	
4,486,661 A *	12/1984	Guscott .....	G01J 5/04 250/342
4,559,587 A *	12/1985	Quiogue .....	F21S 8/033 362/147
D288,857 S *	3/1987	Spaine .....	D26/72
5,028,911 A *	7/1991	Wanat .....	G08B 5/36 340/326
D336,964 S	6/1993	Janssen et al.	
D380,853 S	7/1997	Johnson	
D444,258 S	6/2001	Bradford et al.	
D456,928 S	5/2002	Russello et al.	
D456,930 S	5/2002	Russello et al.	
D569,028 S *	5/2008	Sandell .....	D26/85
D569,029 S	5/2008	Guercio	
D589,196 S	3/2009	Stone et al.	
D664,703 S *	7/2012	Yu .....	D26/85
D747,532 S *	1/2016	Gough .....	D26/85
D753,331 S *	4/2016	Gough .....	D26/85
2014/0293612 A1 *	10/2014	Tsao .....	F21V 29/74 362/297
2016/0169743 A1 *	6/2016	Buckley .....	G01J 5/08 250/338.3

\* cited by examiner

*Primary Examiner* — Clare E Heflin  
(74) *Attorney, Agent, or Firm* — SmithAmundsen LLC;  
Dennis S. Schell; Douglas G. Gallagher

(56) **References Cited**  
U.S. PATENT DOCUMENTS

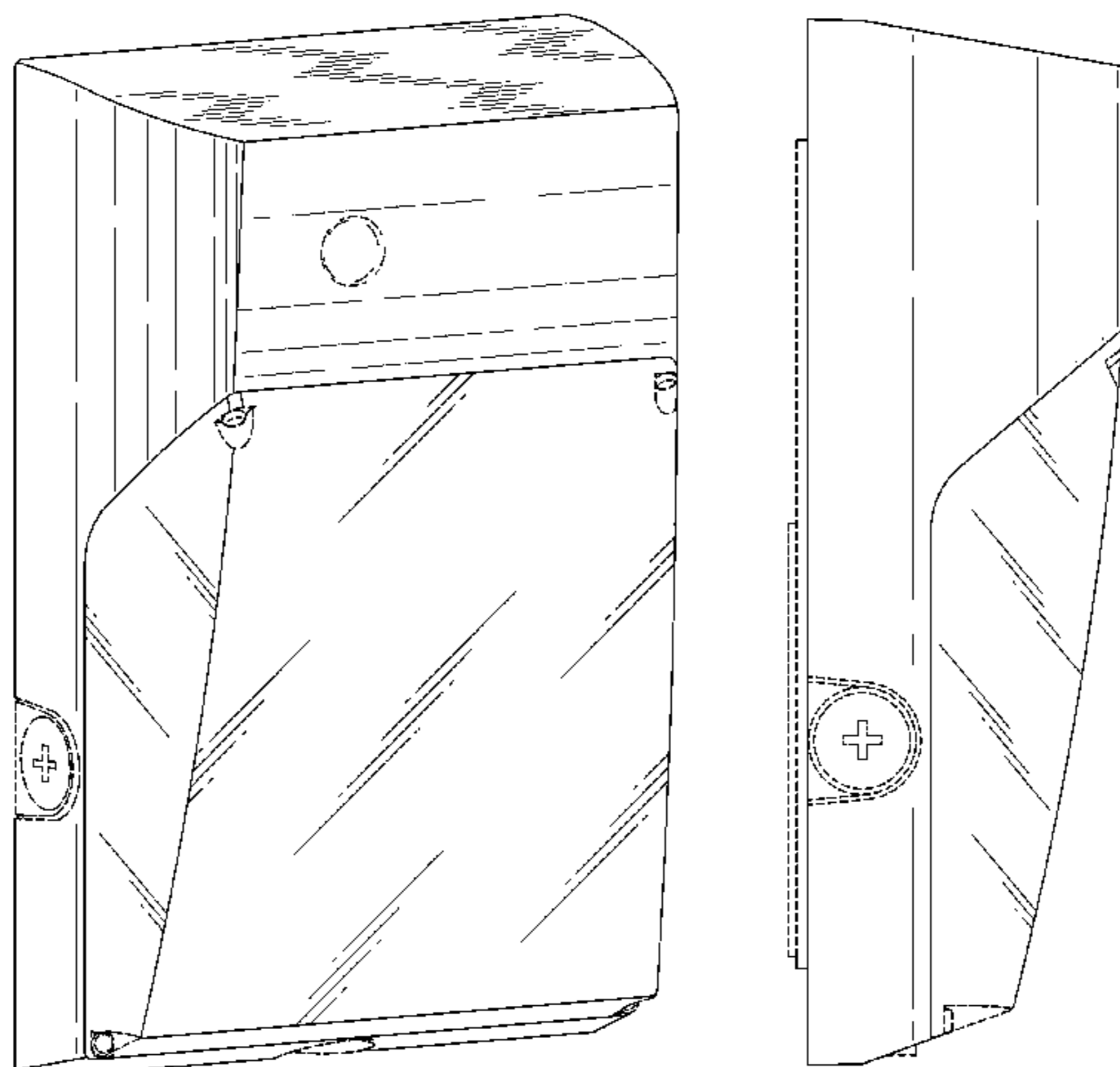
D188,912 S *	9/1960	Lasker .....	D26/85
D190,385 S *	5/1961	Schreckengost .....	D26/85
D197,530 S *	2/1964	Jaffe, Jr. et al. ....	D26/85
D201,199 S	5/1965	Steenhoven	
D202,803 S	11/1965	Wince	
3,573,452 A *	4/1971	Kenyon .....	F21S 8/033 362/294
D228,667 S	10/1973	Anderson, Jr.	
4,237,528 A *	12/1980	Baldwin .....	F21S 8/033 362/263
4,343,032 A *	8/1982	Schwartz .....	F21S 8/035 362/147
4,384,316 A *	5/1983	de Vos .....	F21S 8/033 362/147
4,398,239 A *	8/1983	de Vos .....	F21S 8/086 362/145
4,414,611 A *	11/1983	Seltzer .....	B60Q 3/007 200/60

(57) **CLAIM**  
The ornamental design for a wallpack LED light fixture,  
substantially as shown and described.

**DESCRIPTION**

FIG. 1 is a front perspective view of the new design;  
FIG. 2 is a rear perspective view thereof;  
FIG. 3 is a front view thereof;  
FIG. 4 is a rear view thereof;  
FIG. 5 is a left side view thereof, with the right side being  
a mirror image of the left side;  
FIG. 6 is a top view thereof; and,  
FIG. 7 is a bottom view thereof.  
The broken lines on the drawings depict portions of the  
article that form no part of the claimed design.

**1 Claim, 7 Drawing Sheets**



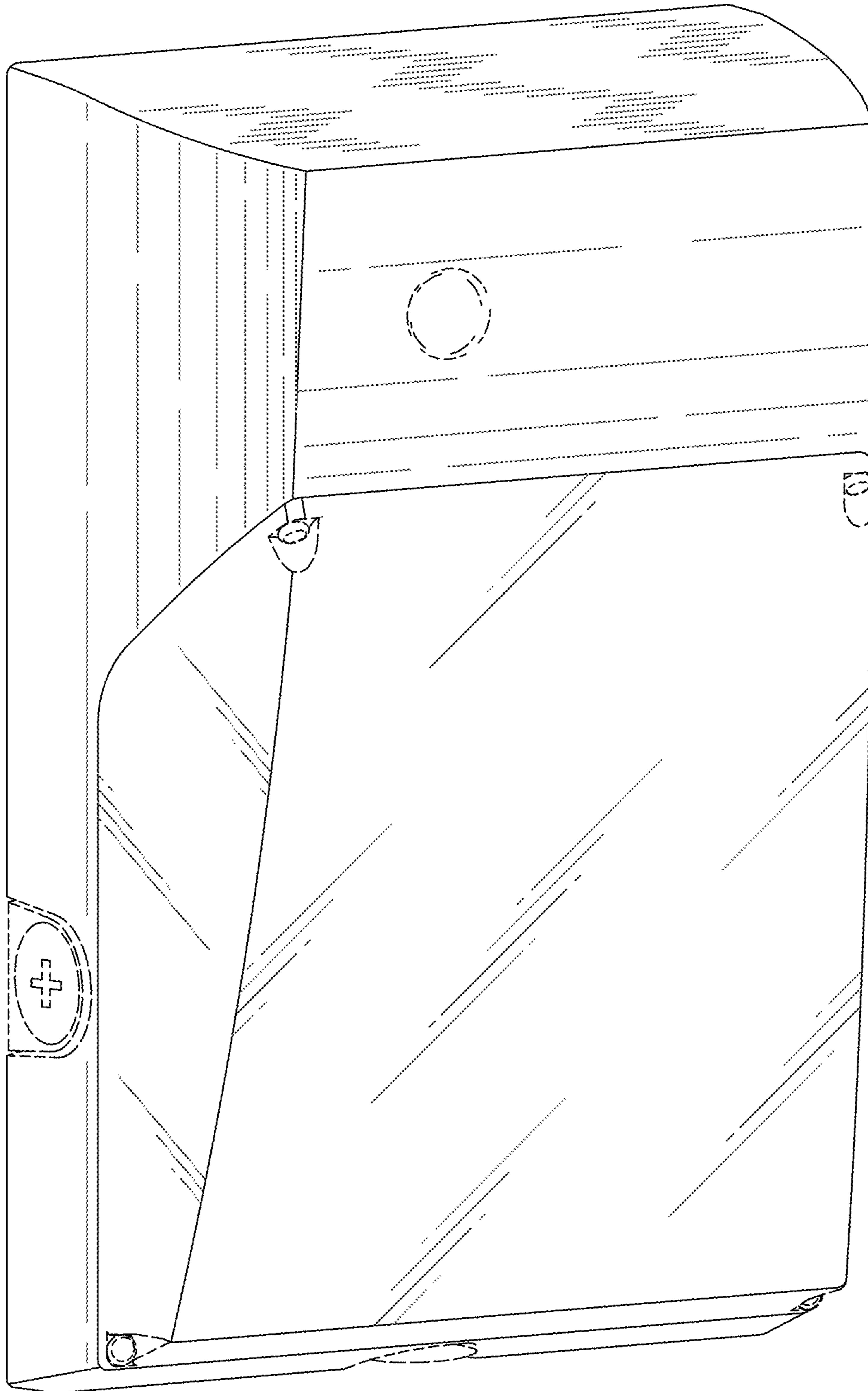


Fig. 1

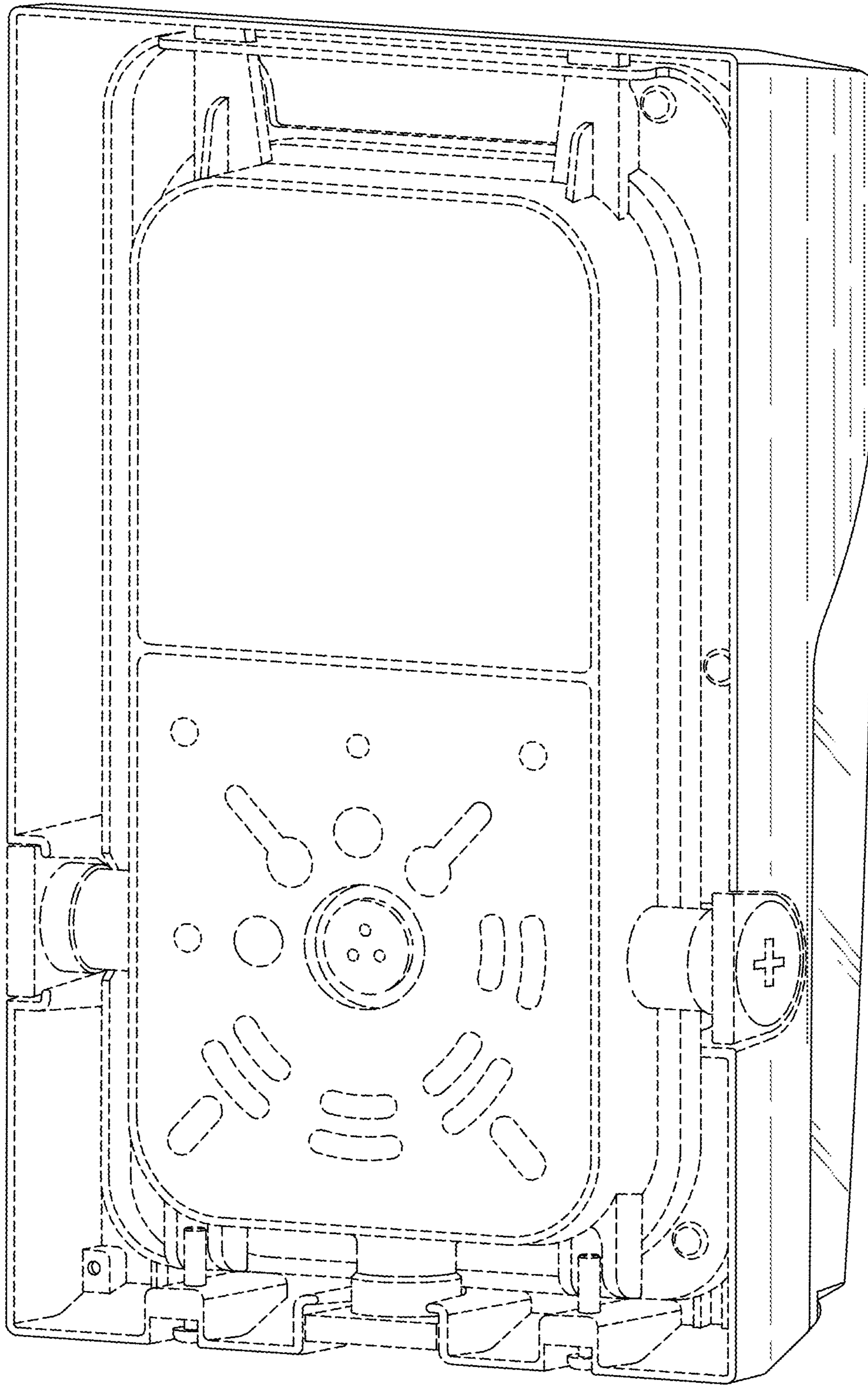


Fig. 2

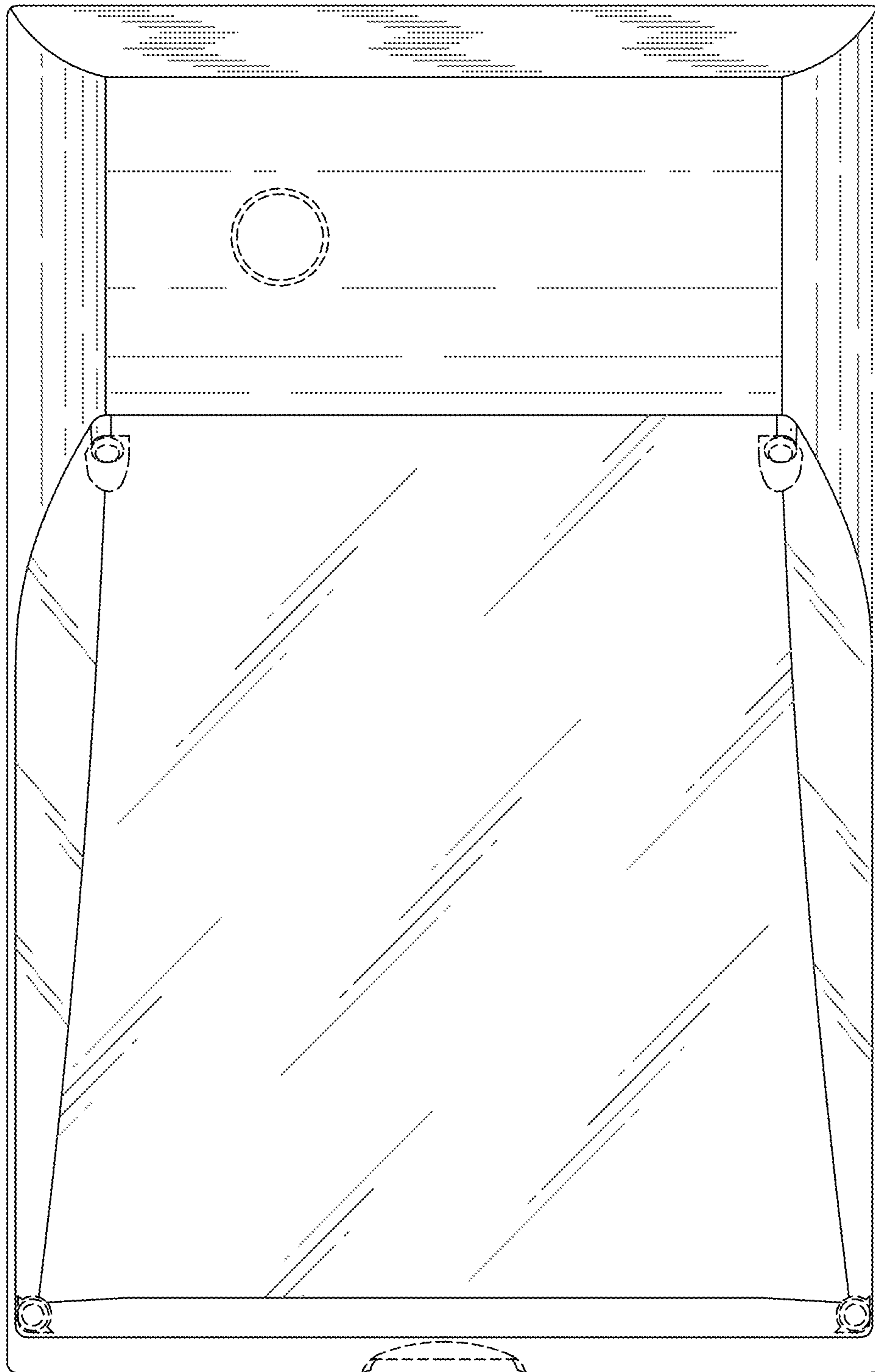


Fig. 3

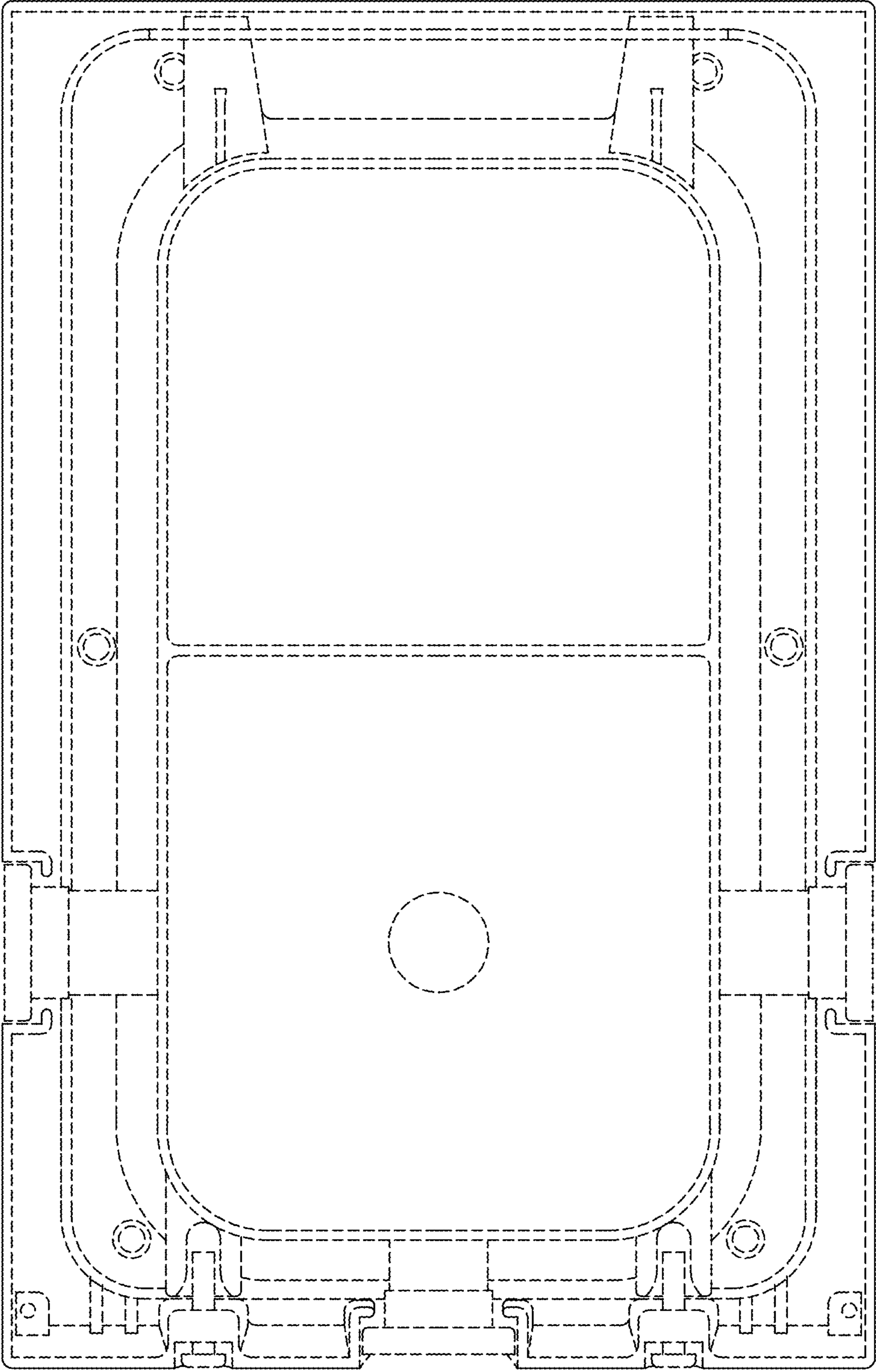


Fig. 4

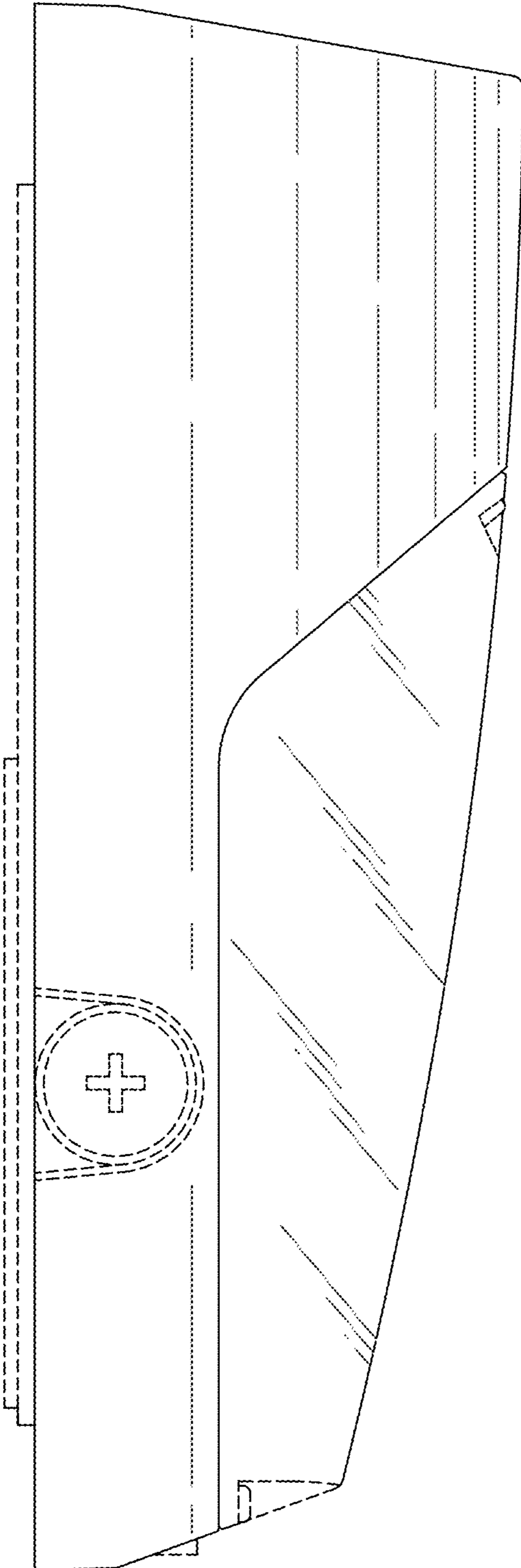


Fig. 5



Fig. 6

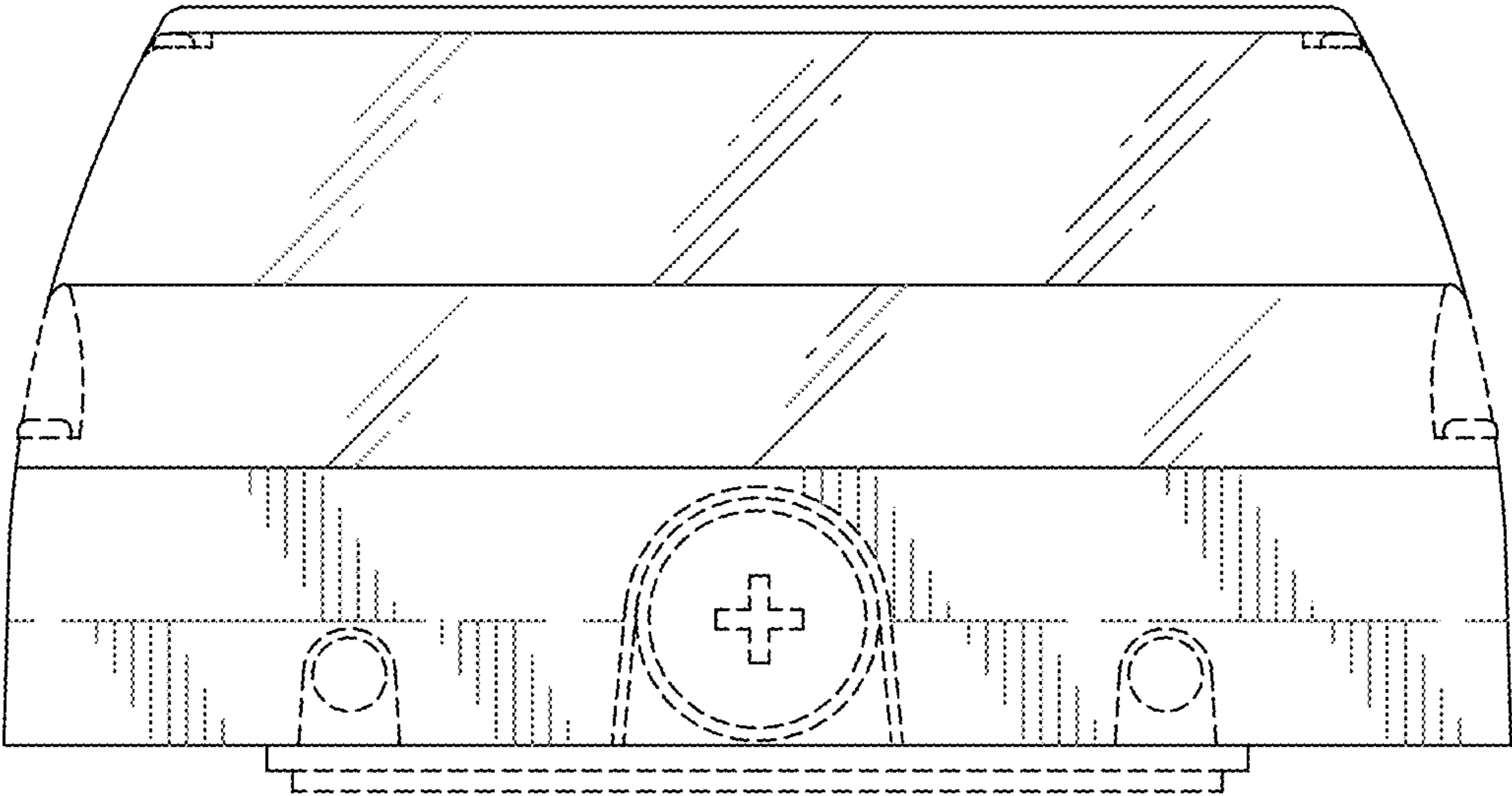


Fig. 7