

US00D773099S

(12) **United States Design Patent**  
**Sonneman**

(10) **Patent No.:** **US D773,099 S**

(45) **Date of Patent:** **\*\* Nov. 29, 2016**

(54) **CIRCULAR LIGHTING FIXTURE**

(71) Applicant: **Robert A. Sonneman**, Mamaroneck,  
NY (US)

(72) Inventor: **Robert A. Sonneman**, Mamaroneck,  
NY (US)

(\*\*) Term: **15 Years**

(21) Appl. No.: **29/551,224**

(22) Filed: **Jan. 12, 2016**

(51) **LOC (10) Cl.** ..... **26-03**

(52) **U.S. Cl.**  
USPC ..... **D26/84**

(58) **Field of Classification Search**  
USPC ..... D26/81-91, 143, 144  
CPC ..... F21S 8/04; F21S 8/043; F21S 8/046;  
F21S 8/06; F21S 8/061; F21S 8/063; F21S  
8/065

See application file for complete search history.

(56) **References Cited**

**U.S. PATENT DOCUMENTS**

2,222,980	A *	11/1940	MacFadden	.....	F21S 8/06 362/282
D317,058	S	5/1991	Sonneman		
D320,465	S	10/1991	Sonneman		
D490,557	S *	5/2004	Cuevas	.....	D26/142
D498,870	S *	11/2004	Parres	.....	D26/81
D499,507	S *	12/2004	Parres	.....	D26/143
D520,669	S *	5/2006	Brunner	.....	D26/81
D659,882	S *	5/2012	Sterling	.....	D26/83
D660,510	S *	5/2012	Bracher	.....	D26/143

D666,760	S *	9/2012	Arola Ferrer	.....	D26/84
D671,670	S	11/2012	Sonneman		
D687,589	S *	8/2013	Wick	.....	D26/90
D725,306	S *	3/2015	Salvagno	.....	D26/84
2009/0213581	A1 *	8/2009	Gauger	.....	F21S 8/065 362/161
2012/0257388	A1 *	10/2012	Bracher	.....	F21S 8/061 362/249.01
2015/0338038	A1 *	11/2015	Feit	.....	F21S 8/061 362/147

\* cited by examiner

*Primary Examiner* — Clare E Heflin

(74) *Attorney, Agent, or Firm* — Gottlieb, Rackman &  
Reisman P.C.

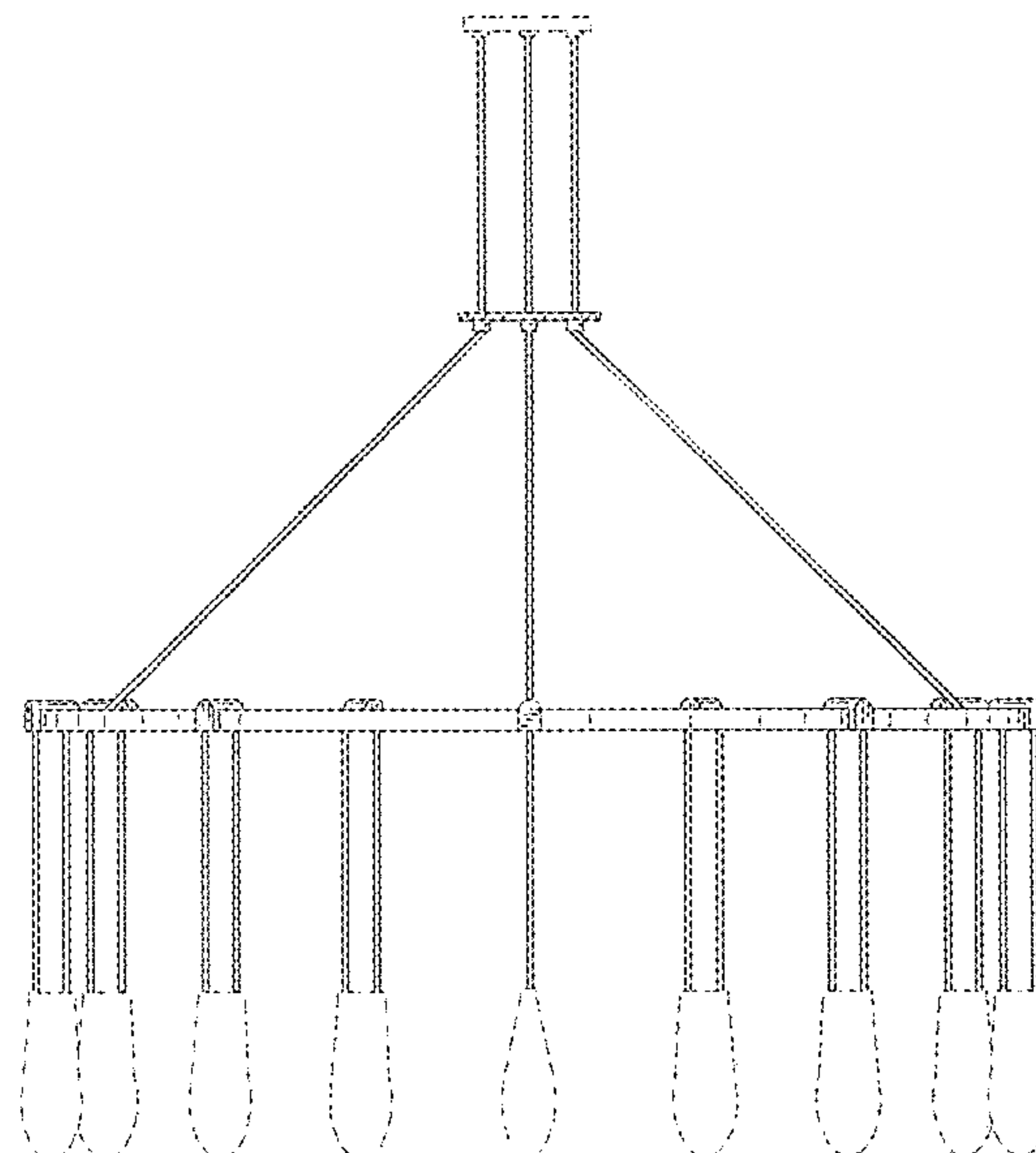
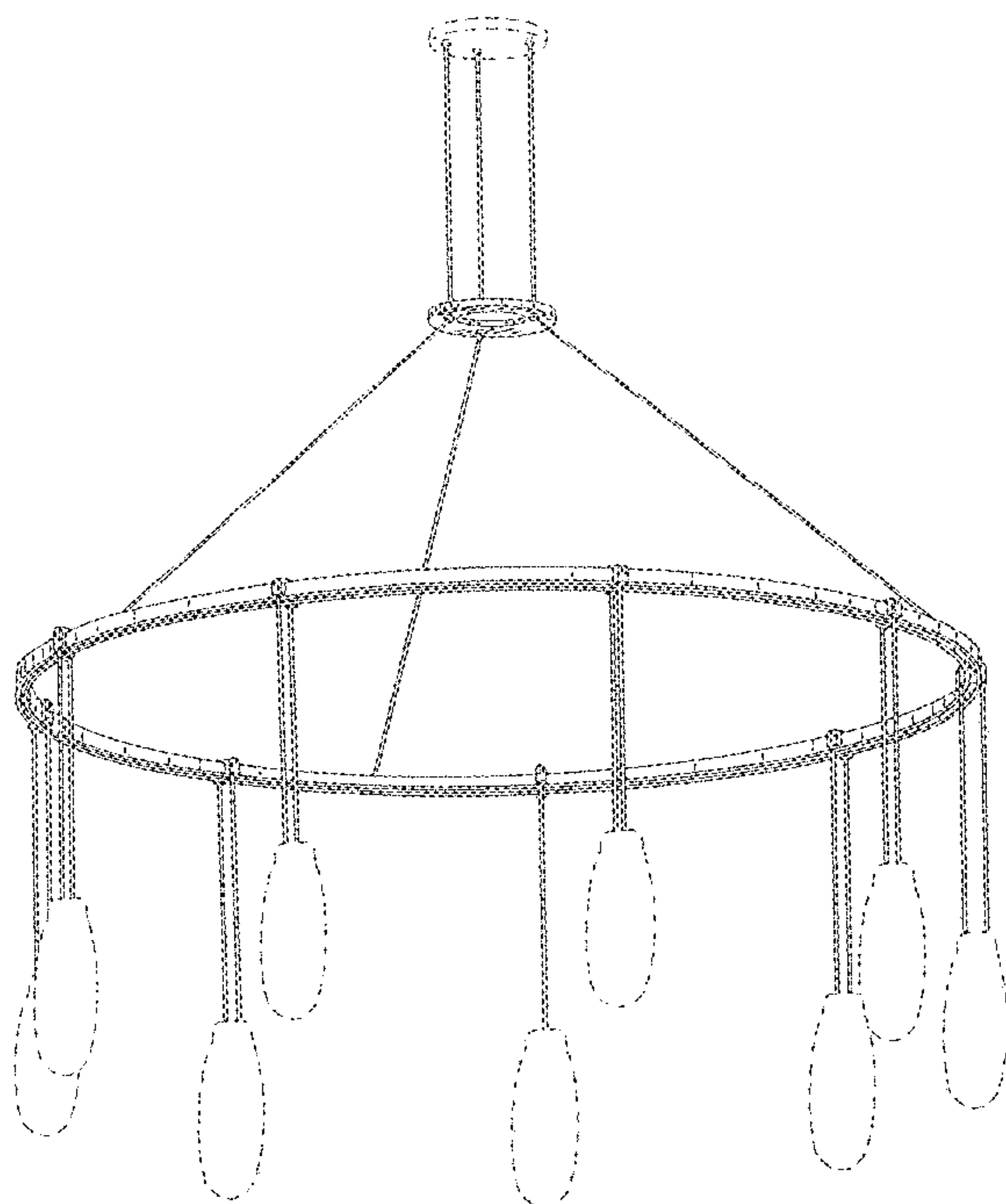
(57) **CLAIM**

The ornamental design for a circular lighting fixture, as shown and described.

**DESCRIPTION**

FIG. 1 is a perspective view of the circular lighting fixture showing my new design;  
 FIG. 2 is a top plan view thereof;  
 FIG. 3 is a front elevational view thereof, the rear elevational view being a mirror image;  
 FIG. 4 is a right side elevational view thereof, the left side being a mirror image; and,  
 FIG. 5 is a bottom plan view thereof.  
 The broken lines in the drawings are included for the purpose of illustrating portions of the article that form no part of the claimed design.

**1 Claim, 5 Drawing Sheets**



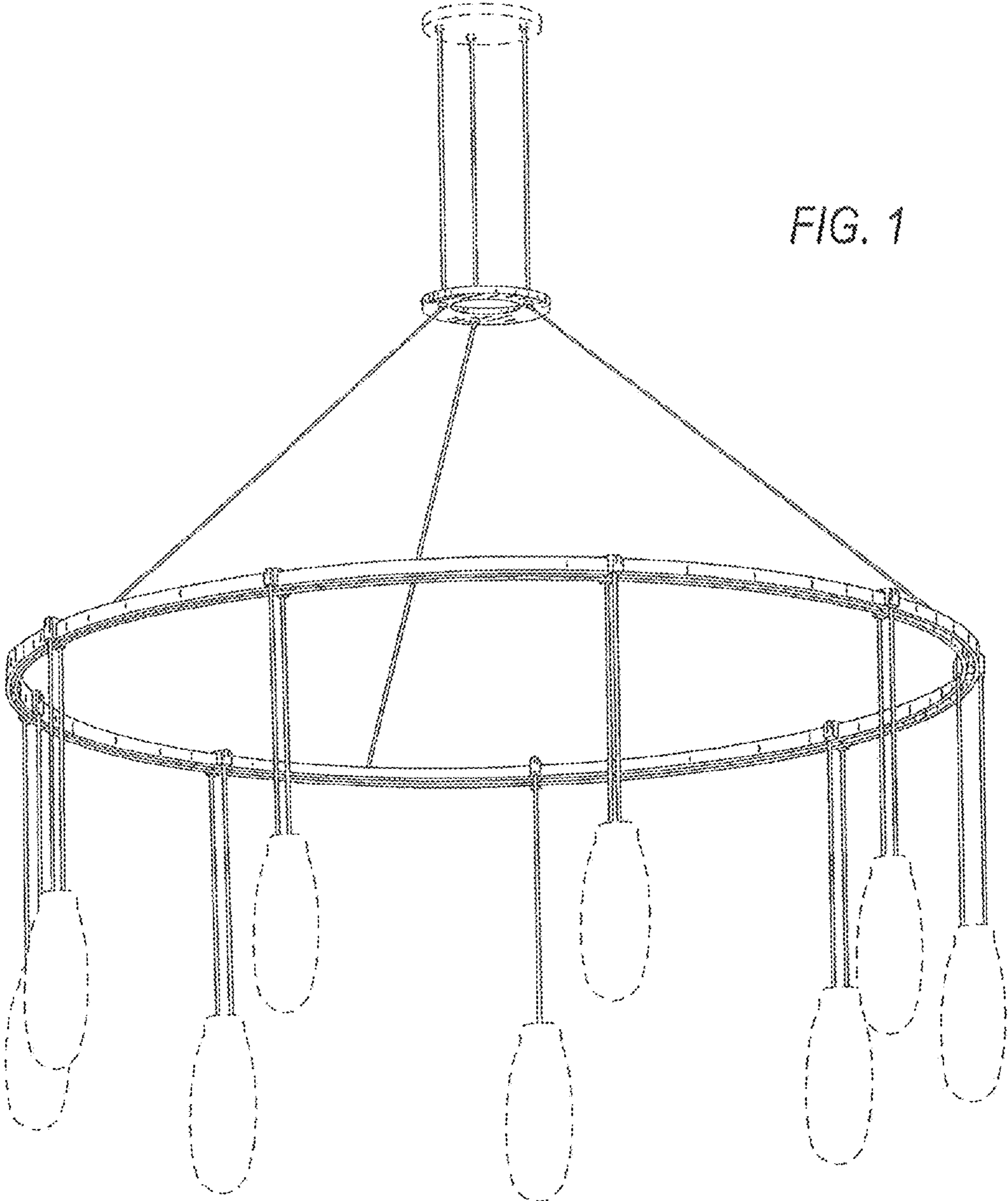
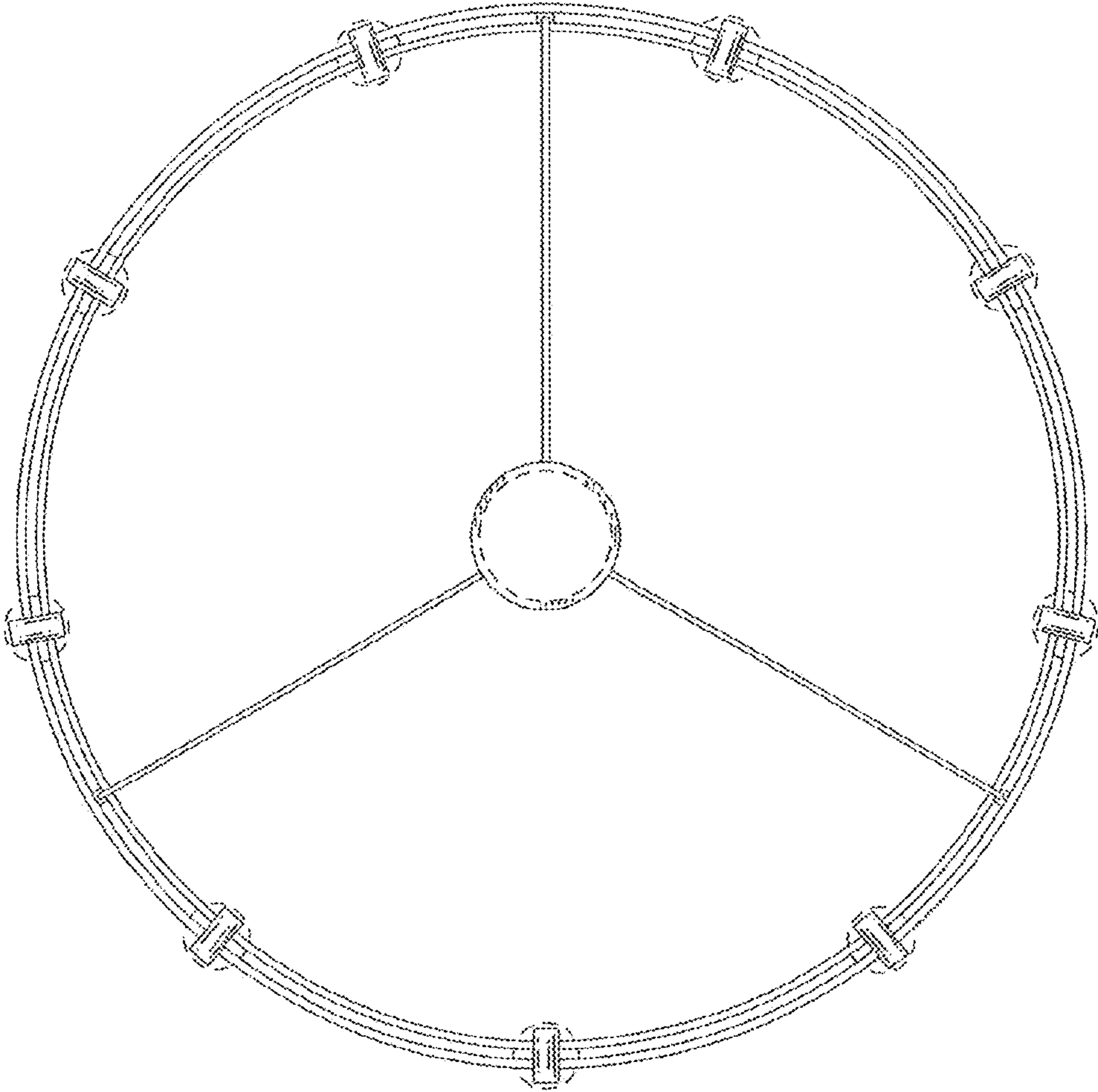


FIG. 1

FIG. 2



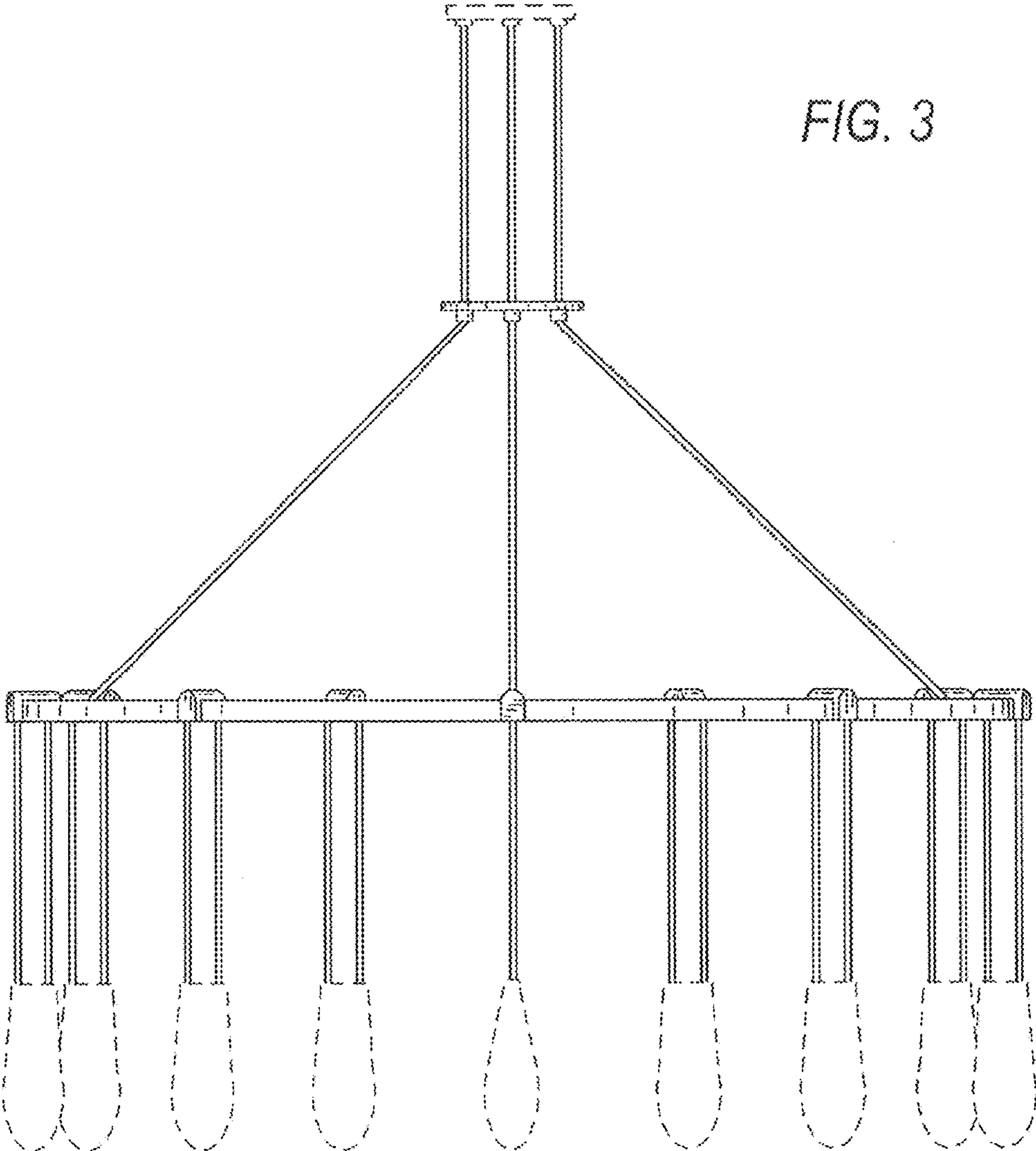


FIG. 3



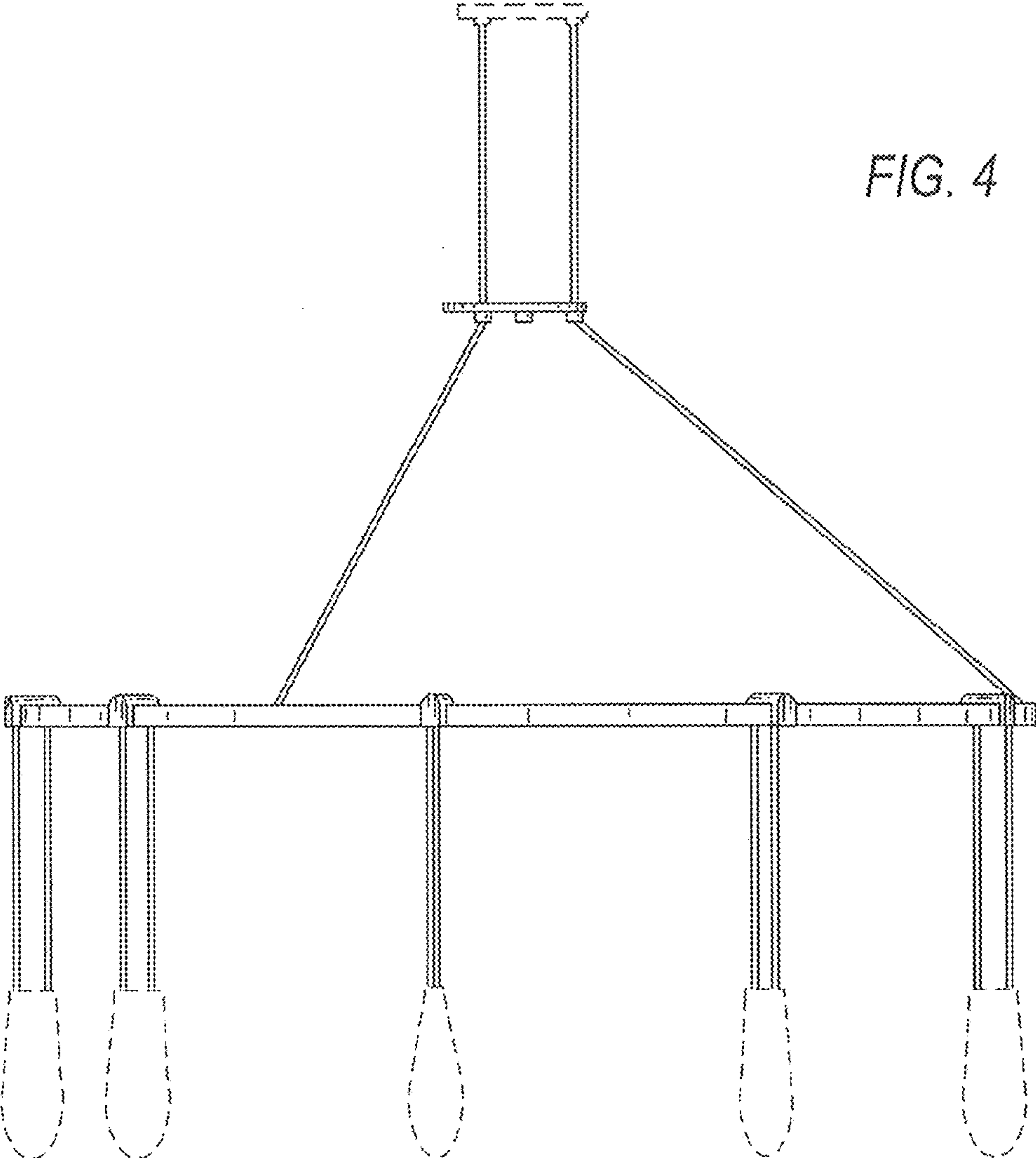


FIG. 5

