



US00D773098S

(12) **United States Design Patent** (10) **Patent No.:** **US D773,098 S**
Czech et al. (45) **Date of Patent:** **** Nov. 29, 2016**

(54) **LIGHT FIXTURE**

(71) Applicant: **Focal Point, LLC**, Chicago, IL (US)

(72) Inventors: **Ken Czech**, Naperville, IL (US);
Michael David SanFacon, Naperville,
IL (US); **Krutin S. Desai**, Chicago, IL
(US)

(73) Assignee: **Focal Point, LLC**, Chicago, IL (US)

(**) Term: **15 Years**

(21) Appl. No.: **29/540,810**

(22) Filed: **Sep. 28, 2015**

(51) **LOC (10) Cl.** **26-03**

(52) **U.S. Cl.**
USPC **D26/76**

(58) **Field of Classification Search**
USPC D26/71, 72, 75, 76, 78, 79, 80, 81, 82,
D26/83, 85, 86, 88, 90, 113, 118, 119, 120,
D26/121, 122, 138
CPC F21S 2/00; F21S 4/00; F21S 4/003;
F21S 4/005; F21S 4/006; F21S 4/007;
F21S 4/008; F21S 6/00; F21S 8/00; F21S
8/024; F21S 8/026; F21S 8/031; F21S 8/033;
F21S 8/035-8/037; F21S 8/04; F21S 8/043;
F21S 8/063

See application file for complete search history.

(56) **References Cited**

U.S. PATENT DOCUMENTS

D545,991 S * 7/2007 Mayfield, III D26/118
D580,583 S * 11/2008 Pfund D26/76
D597,241 S * 7/2009 Fabbri D26/74
D608,930 S * 1/2010 Castelli D26/76
D632,008 S * 2/2011 Kim D26/120
D645,193 S * 9/2011 Chung D26/75
D664,700 S * 7/2012 Ferguson D26/76
D679,437 S * 4/2013 Watt D26/74
D685,122 S * 6/2013 Kim D26/74

D701,341 S * 3/2014 Mayfield, III D26/74
D749,257 S * 2/2016 Arndt D26/76
2013/0286637 A1* 10/2013 Lay F21K 9/17
362/147

OTHER PUBLICATIONS

Finelite, Inc., "E1-Indirect Configuration," Elements of Design E1
LED Indirect Brochure, Dec. 21, 2015, p. 2, published 2014.
Prudential Lighting Corporation, "Zenith In," Zenith Series Bro-
chure, Dec. 21, 2015, p. 3, published 2015.

* cited by examiner

Primary Examiner — George D Kirschbaum

Assistant Examiner — Natasha Vujcic

(74) *Attorney, Agent, or Firm* — Banner & Witcoff, Ltd.

(57) **CLAIM**

The ornamental design for a light fixture, as shown and
described.

DESCRIPTION

FIG. 1 is a first perspective view of a light fixture showing
our new design;

FIG. 2 is a second perspective view thereof;

FIG. 3 is a top view thereof;

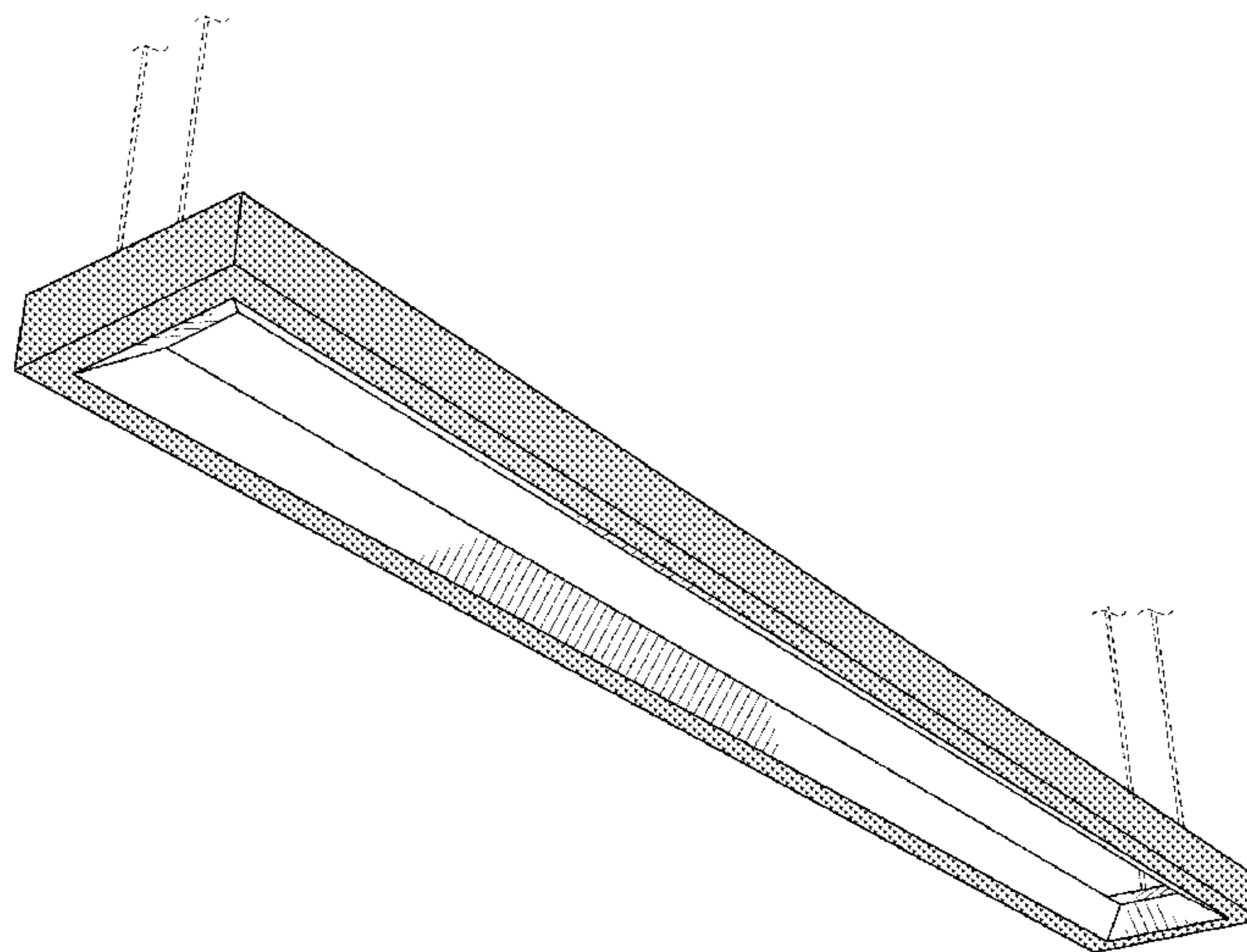
FIG. 4 is a bottom view thereof;

FIG. 5 is a front view thereof; wherein the rear view is a
mirror image of FIG. 5; and,

FIG. 6 is a side view thereof wherein the alternate side view
is a mirror image of FIG. 6.

The broken lines immediately adjacent to the shaded area
represent unclaimed boundaries of the design. The broken
lines showing the remainder of the light fixture are for
environmental purposes only and form no part of the
claimed design.

1 Claim, 6 Drawing Sheets



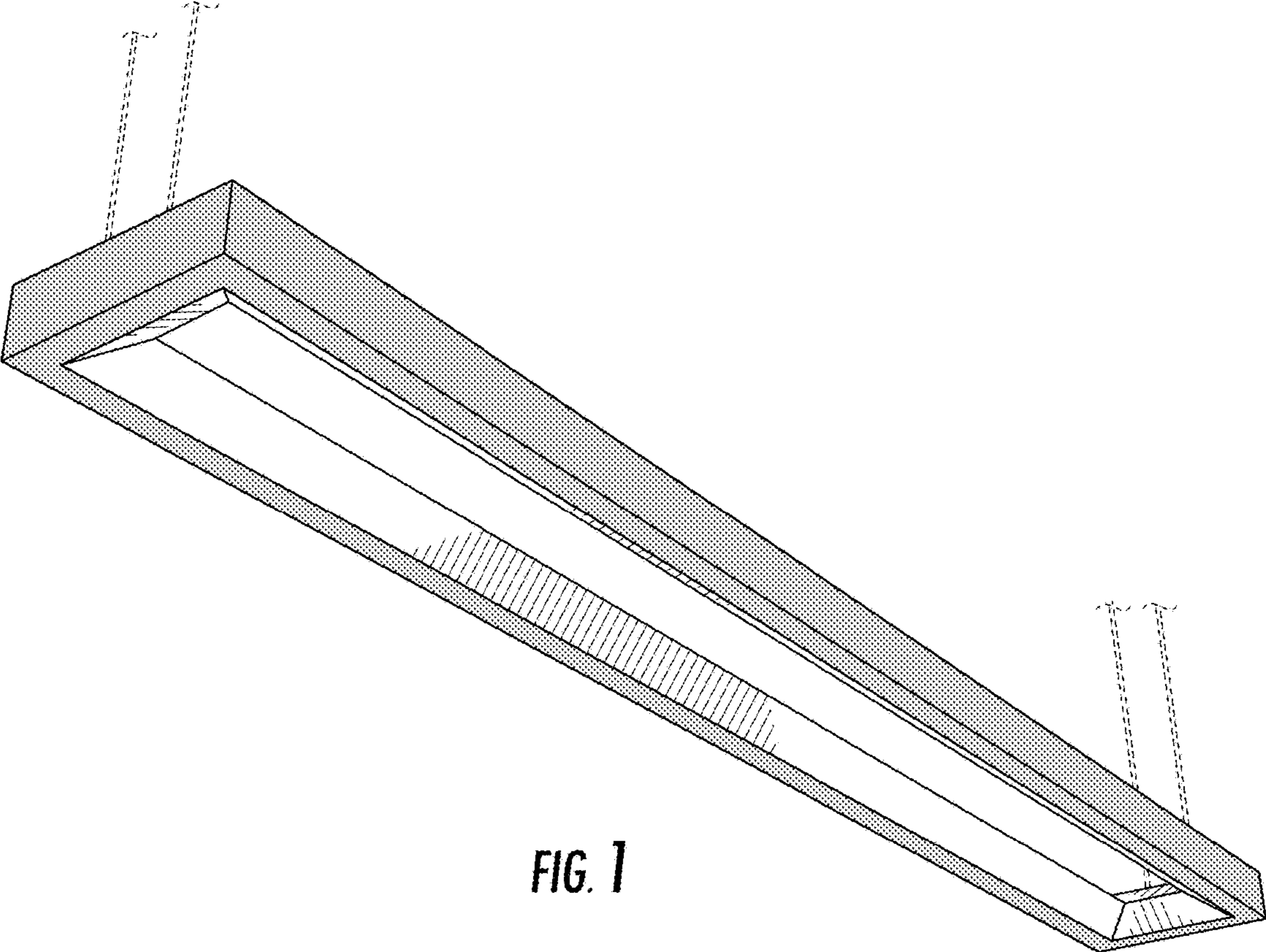


FIG. 1

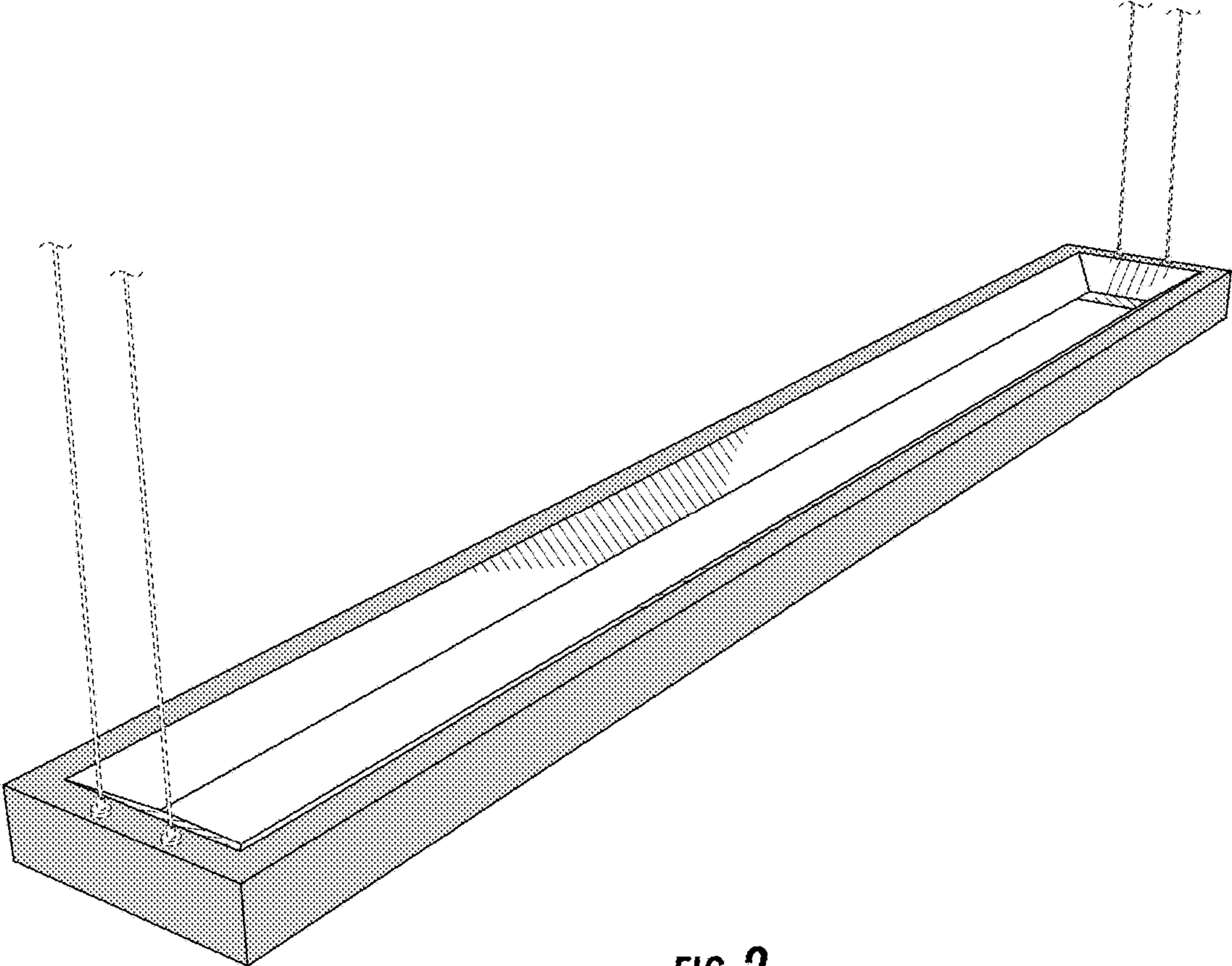


FIG. 2

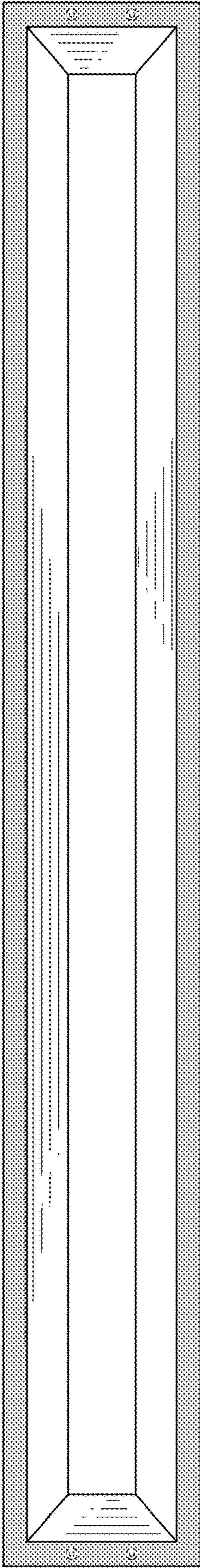


FIG. 3

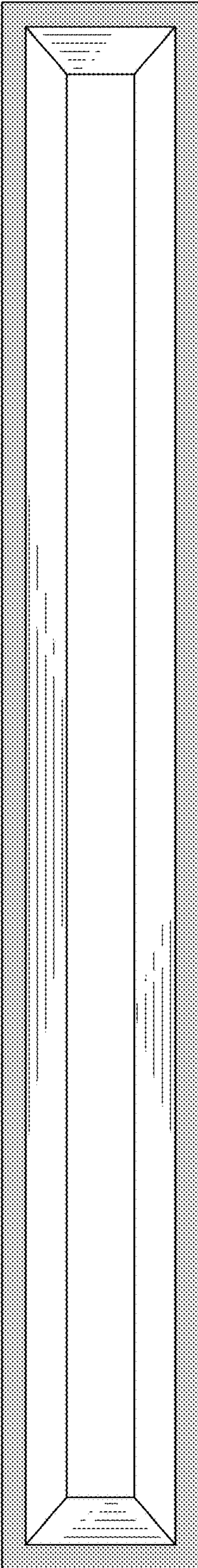


FIG. 4

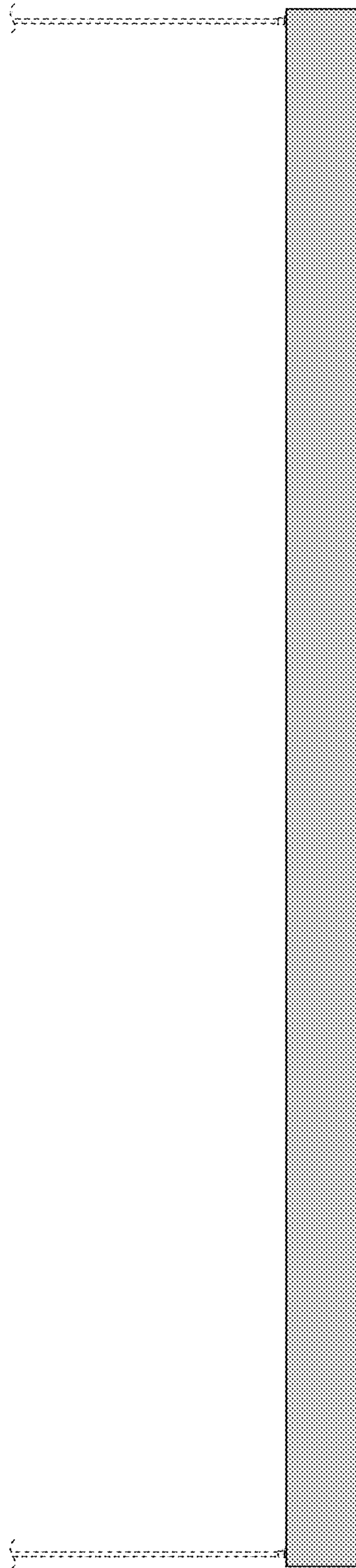


FIG. 5

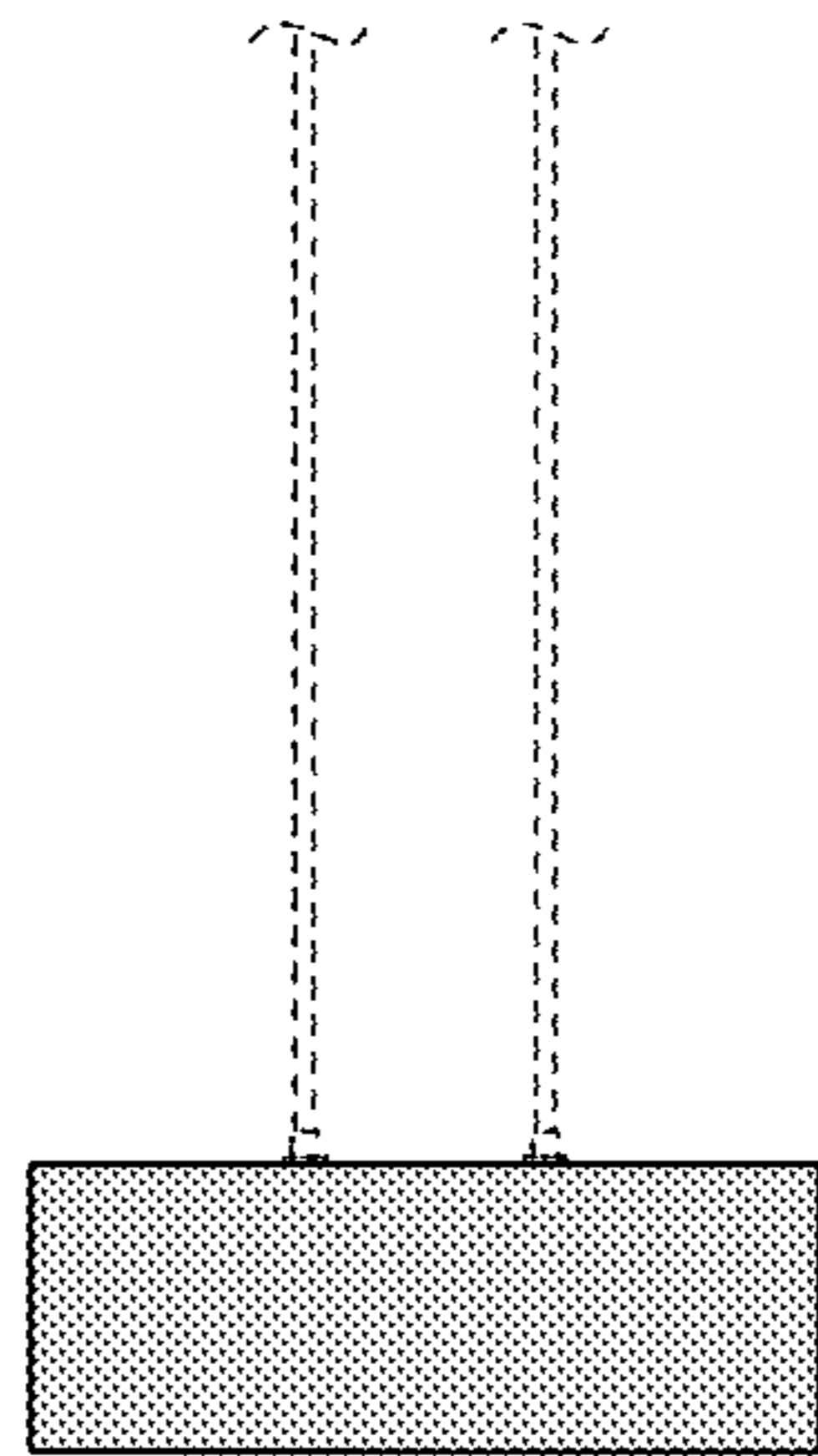


FIG. 6