



US00D773097S

(12) **United States Design Patent** (10) **Patent No.:** **US D773,097 S**
Zhao et al. (45) **Date of Patent:** **** Nov. 29, 2016**

(54) **ROTATABLE LED LAMP**

(71) Applicant: **eMoMo Technology Co., Ltd.**,
Shenzhen (CN)

(72) Inventors: **Yushu Zhao**, Shenzhen (CN); **Wenji Tang**, Shenzhen (CN); **Jing Song**,
Shenzhen (CN)

(73) Assignee: **eMoMo Technology Co., Ltd.**,
Shenzhen (CN)

(**) Term: **14 Years**

(21) Appl. No.: **29/523,304**

(22) Filed: **Apr. 8, 2015**

(51) **LOC (10) Cl.** **26-03**

(52) **U.S. Cl.**
USPC **D26/74**

(58) **Field of Classification Search**
USPC D26/74, 24, 72, 75, 76, 78, 79, 81, 82,
D26/88, 89, 91, 113, 118, 119, 120, 138,
D26/141, 142
CPC F21Y 2111/002; F21V 21/041; F21V 7/005;
F21S 8/026; F21S 8/02
See application file for complete search history.

(56) **References Cited**

U.S. PATENT DOCUMENTS

D386,805 S	*	11/1997	Bonnette	D26/61
D586,942 S	*	2/2009	Chan	D26/118
D636,105 S	*	4/2011	Gielen	D26/63
D658,327 S	*	4/2012	Meise	D26/74
D697,650 S	*	1/2014	Maxik	D26/63

* cited by examiner

Primary Examiner — Brian N Vinson

(74) *Attorney, Agent, or Firm* — Bass, Berry & Sims
PLC

(57) **CLAIM**

The ornamental design for a rotatable LED lamp, as shown
and described.

DESCRIPTION

FIG. 1 is a front view of a rotatable LED lamp showing our
new design with lamp in the planar position;
FIG. 2 is a back view thereof, with lamp in the planar
position;
FIG. 3 is a side view thereof, with lamp in the planar
position;
FIG. 4 is a top plan view thereof, with lamp in the planar
position;
FIG. 5 is a top perspective view thereof, with lamp in the
planar position;
FIG. 6 is a bottom plan view thereof;
FIG. 7 is a bottom perspective view thereof;
FIG. 8 is a front view thereof, with lamp in a rotated
position;
FIG. 9 is a back view thereof, with lamp in a rotated
position;
FIG. 10 is a side view thereof, with lamp in a rotated
position;
FIG. 11 is a top plan view thereof, with lamp in the rotated
position; and,
FIG. 12 is a top perspective view thereof, with lamp in the
rotated position.
The broken line portions shown in the figures are included
to show unclaimed subject matter only and form no part of
the claimed design.

1 Claim, 6 Drawing Sheets

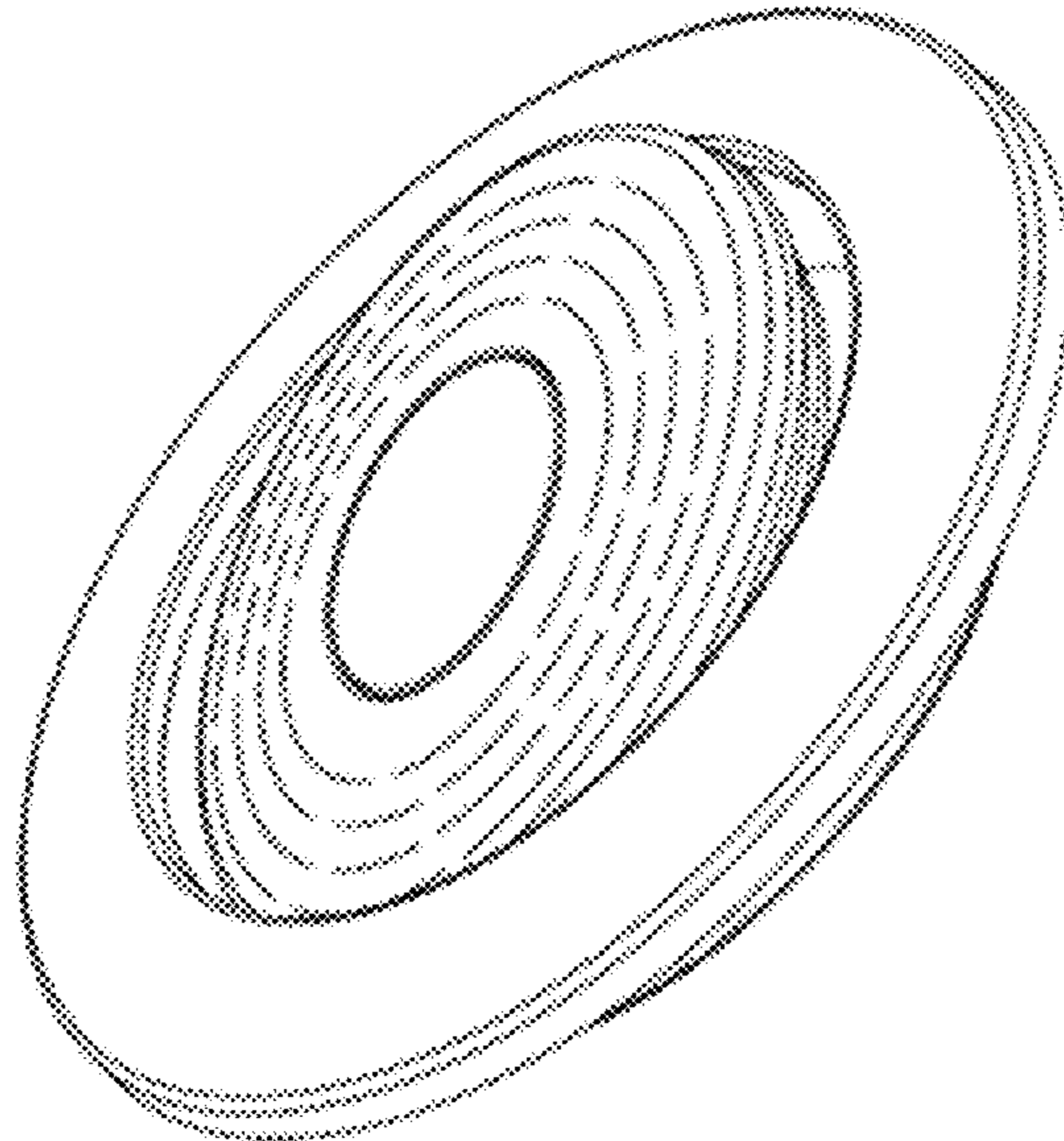


FIG. 1

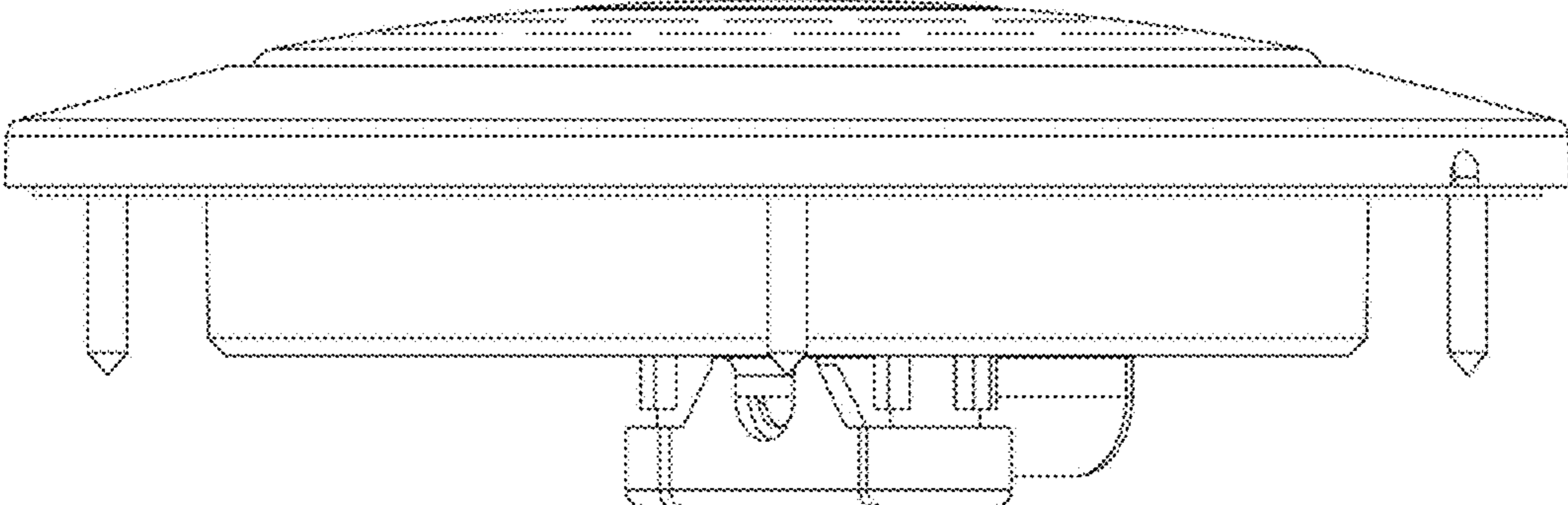


FIG. 2

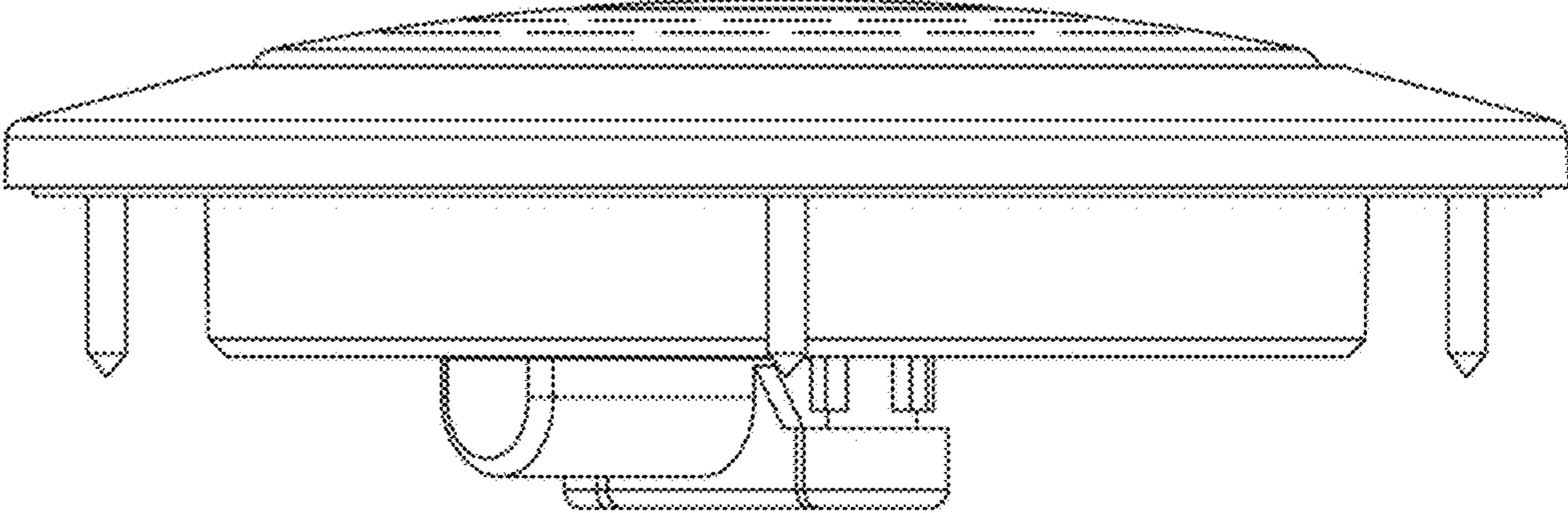


FIG. 3

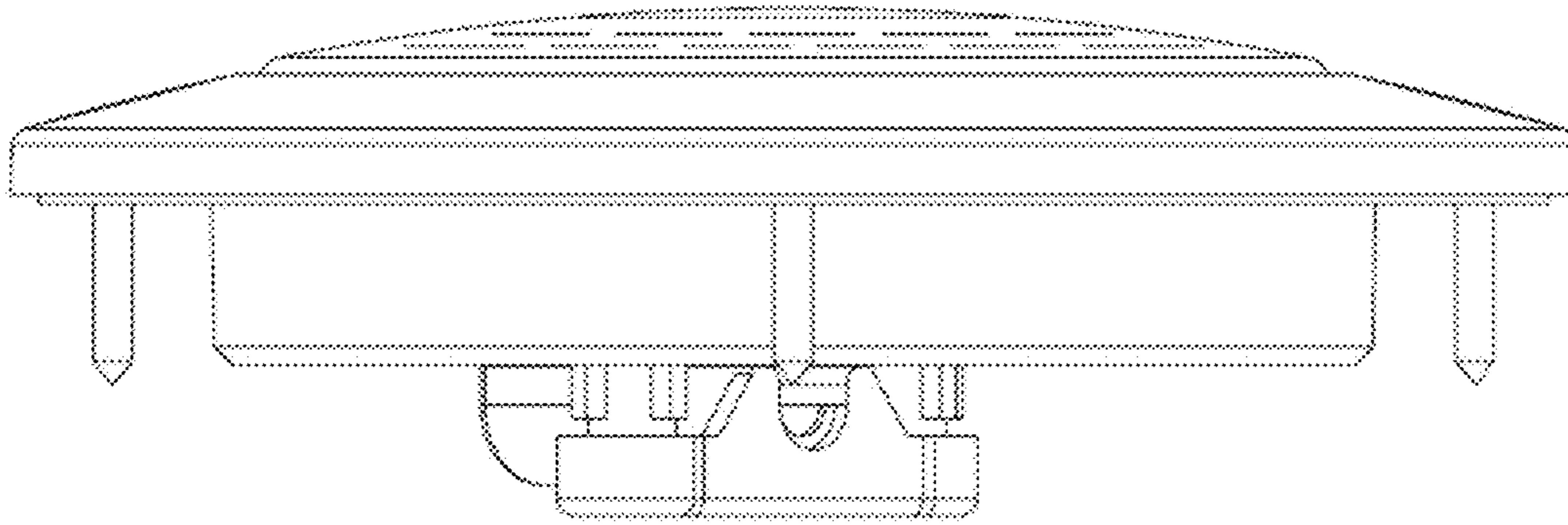


FIG. 4

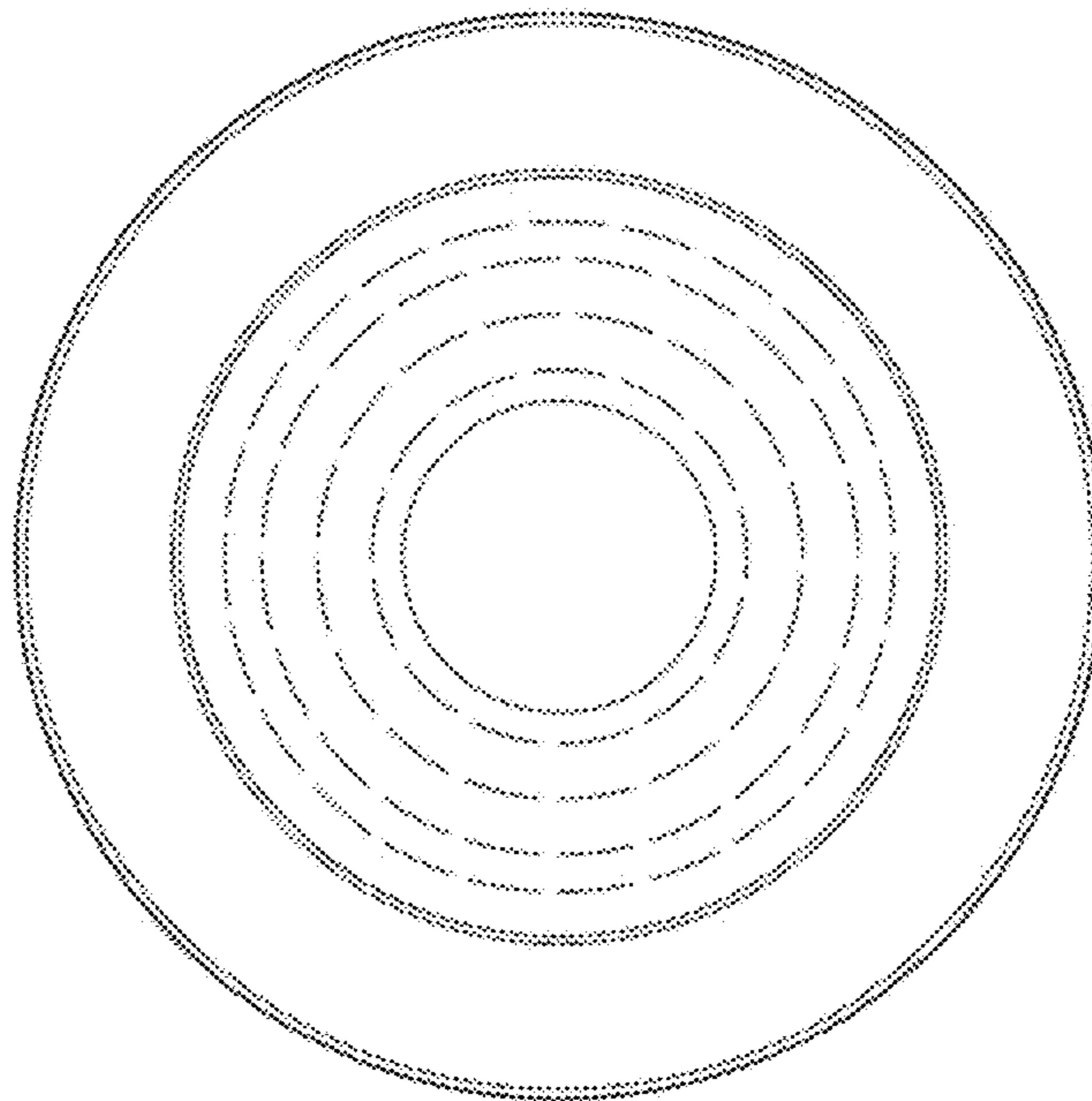


FIG. 5

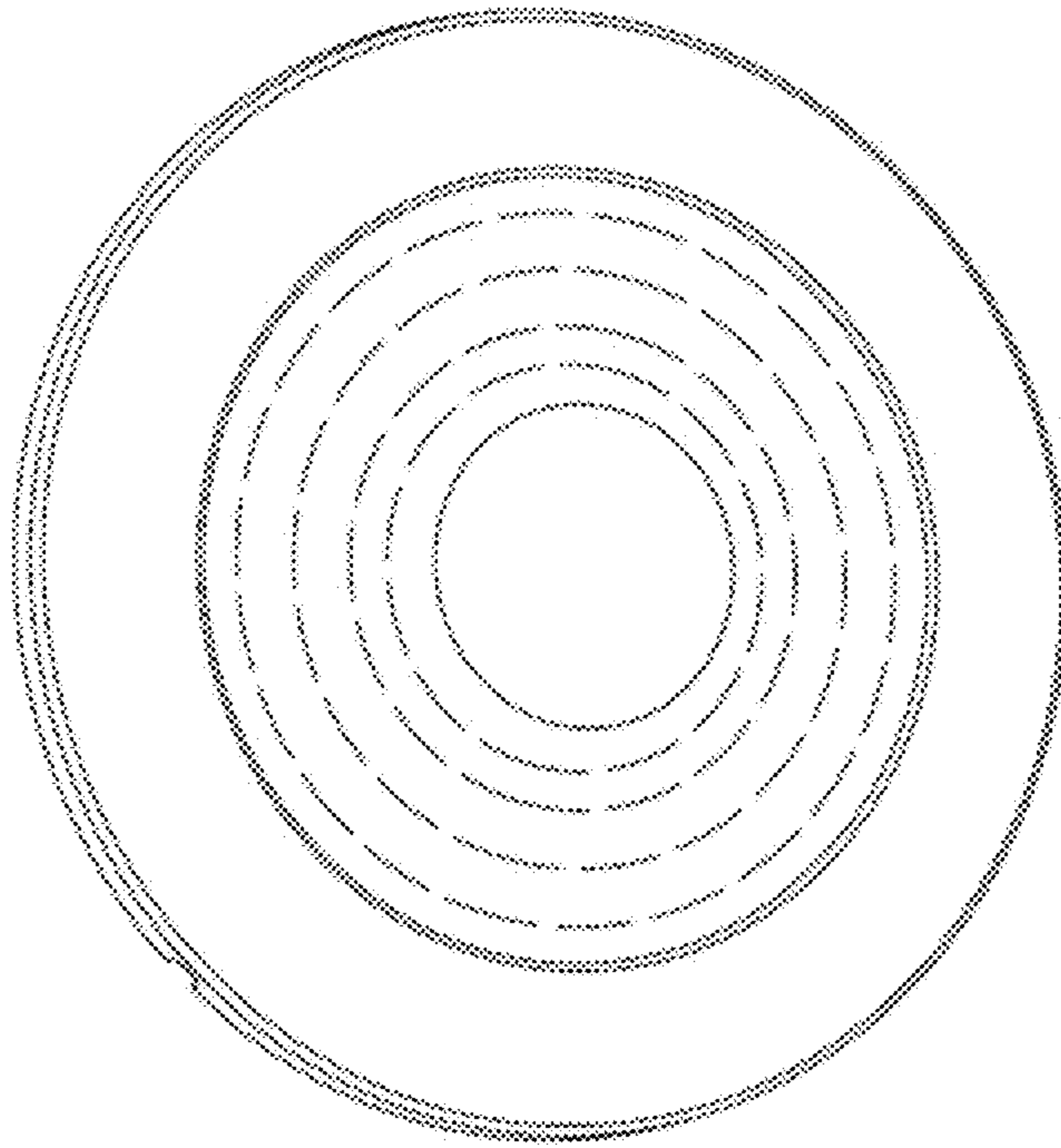


FIG. 6

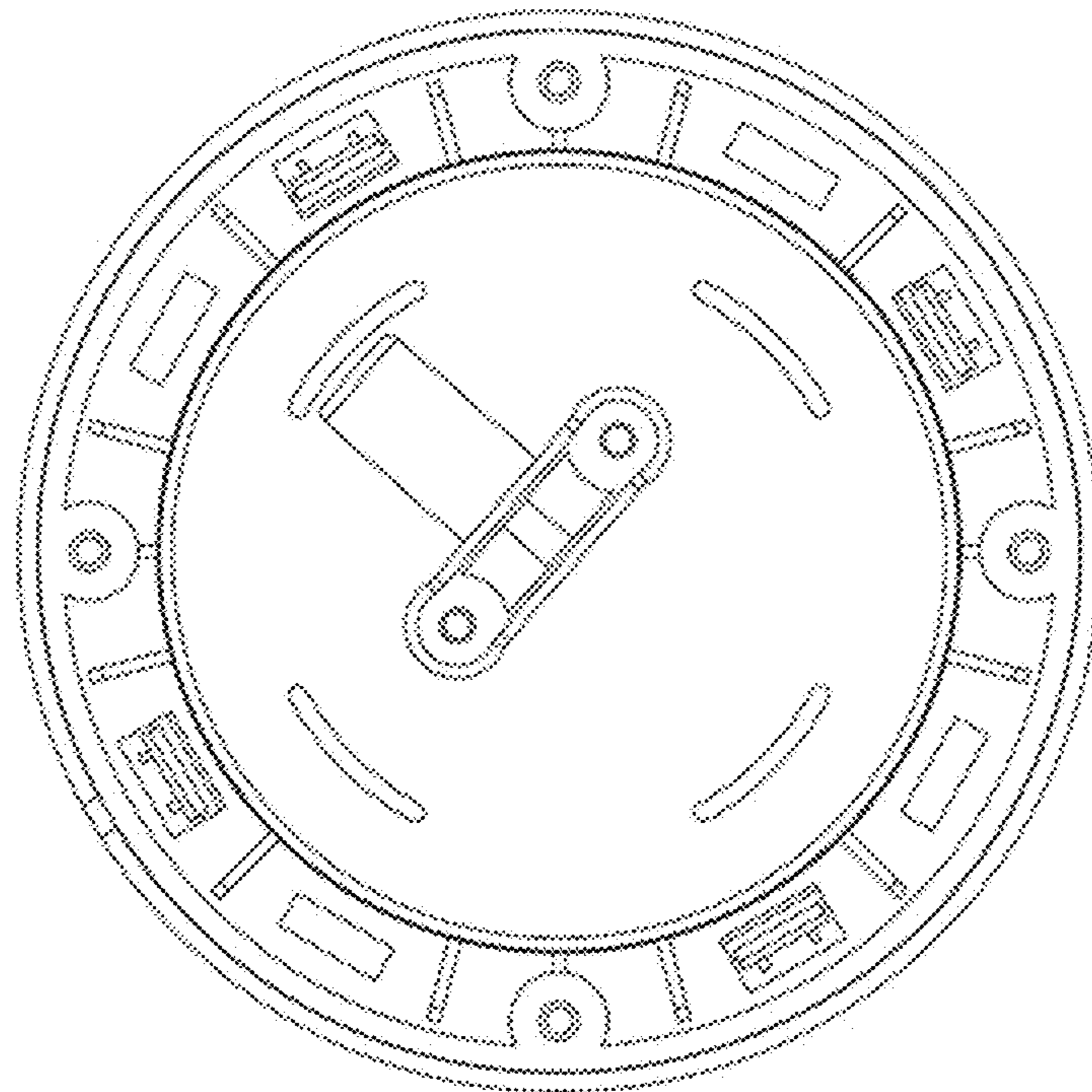


FIG. 7

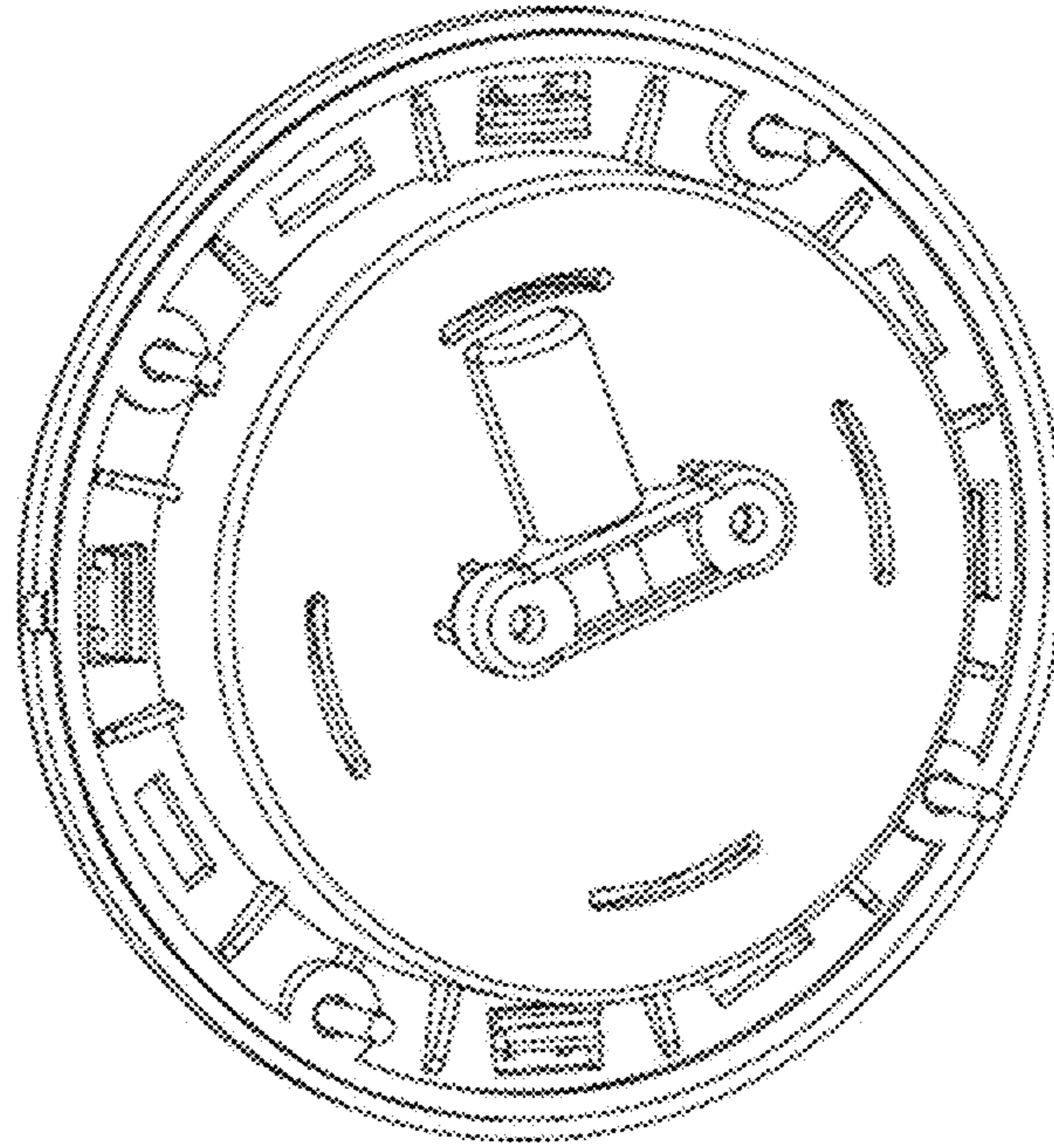


FIG. 8

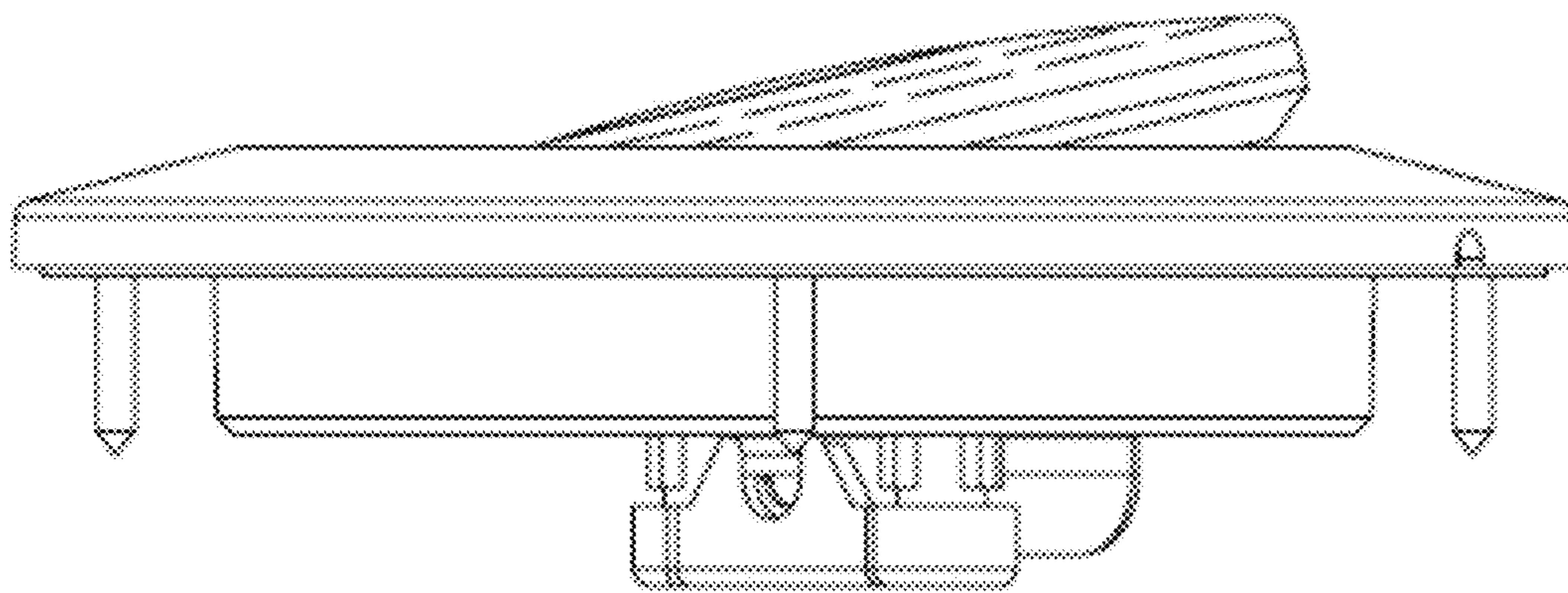


FIG. 9

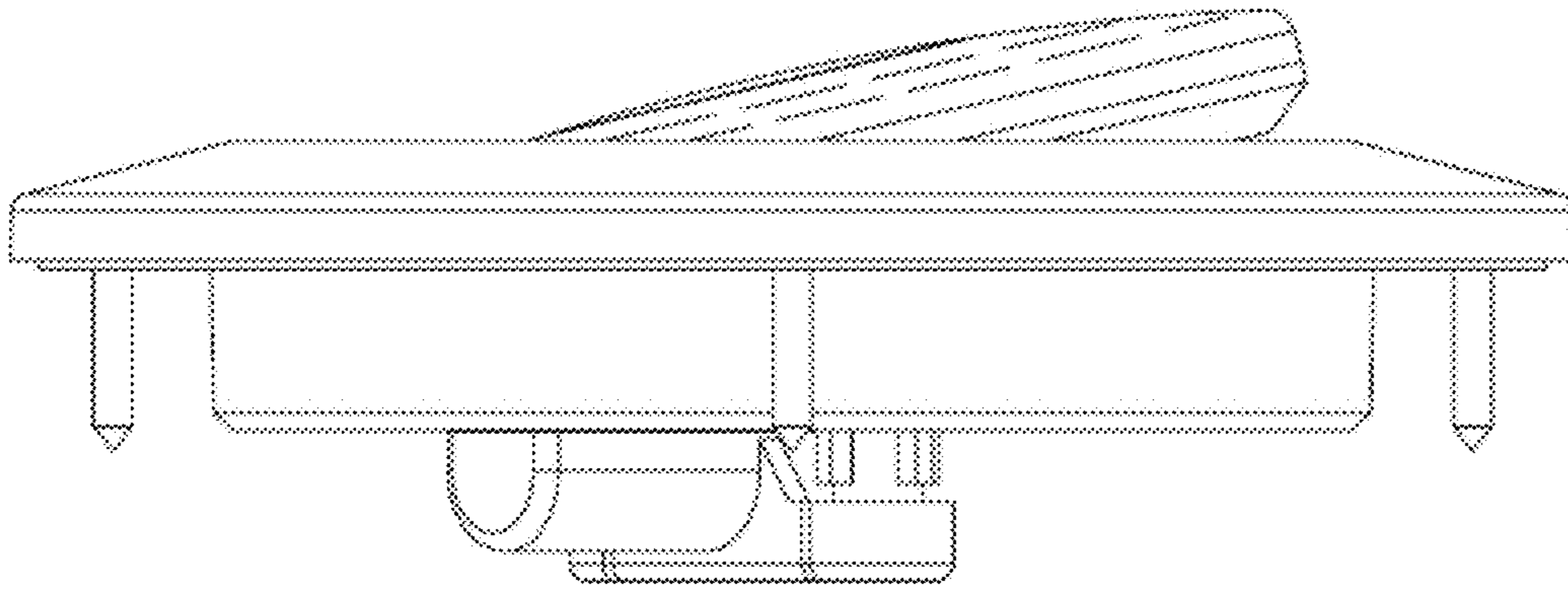


FIG. 10

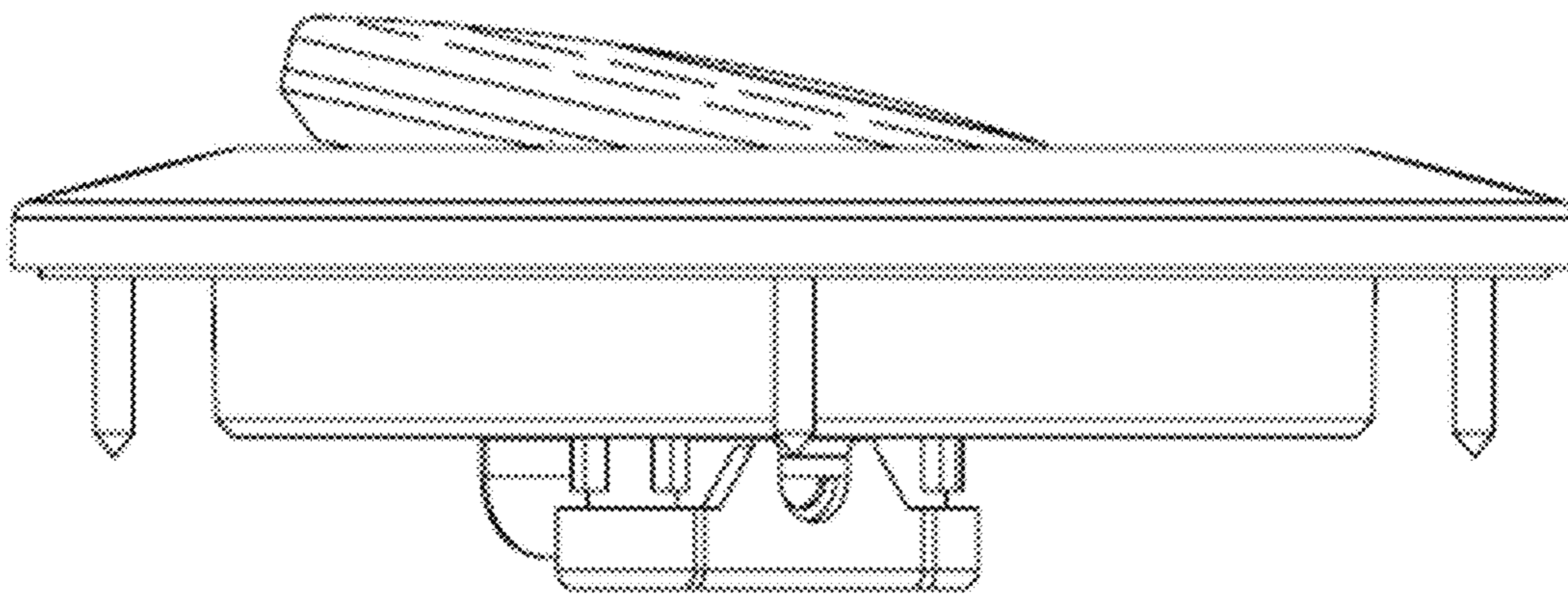


FIG. 11

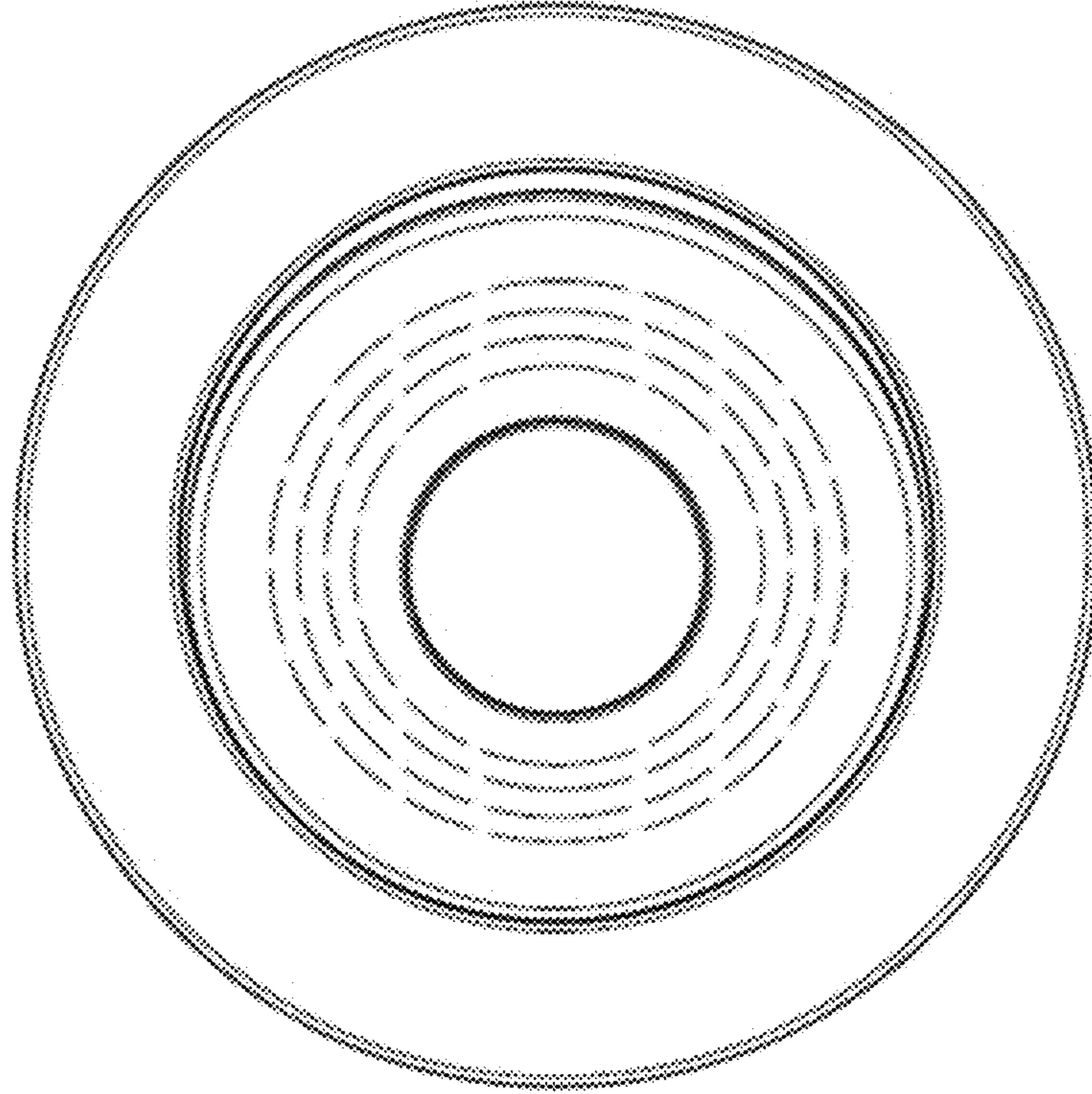


FIG. 12

