



US00D773096S

(12) **United States Design Patent**
Zhu

(10) **Patent No.:** **US D773,096 S**

(45) **Date of Patent:** **** Nov. 29, 2016**

(54) **STREET LIGHT**

(71) Applicant: **Taizhou JiaoGuang Lighting Co., Ltd.**, Taizhou, Zhejiang Province (CN)

(72) Inventor: **Jianrong Zhu**, Irvine, CA (US)

(73) Assignee: **Taizhou JiaoGuang Lighting Co., Ltd.**, Taizhou (CN)

(**) Term: **15 Years**

(21) Appl. No.: **29/534,266**

(22) Filed: **Jul. 28, 2015**

(51) **LOC (10) Cl.** **26-05**

(52) **U.S. Cl.**
USPC **D26/71**

(58) **Field of Classification Search**
USPC D26/63, 67-72, 92
CPC F21S 8/08; F21S 8/085; F21S 8/086;
F21S 8/088; F21W 2111/02; F21W 2131/103;
F21W 2131/107

See application file for complete search history.

(56) **References Cited**

U.S. PATENT DOCUMENTS

D637,336 S *	5/2011	Van Klinken	D26/71
D674,527 S *	1/2013	Du	D26/71
D675,768 S *	2/2013	Jurdana	D26/71
D676,589 S *	2/2013	Elam	D26/71
D694,449 S *	11/2013	Walker	D26/63
D694,935 S *	12/2013	Zheng	D26/71

D695,438 S *	12/2013	Liu	D26/71
D709,634 S *	7/2014	Coulbeaut	D26/71
D744,145 S *	11/2015	Coulbeaut	D26/71
2011/0305019 A1 *	12/2011	Lee	F21S 8/086 362/247
2015/0124100 A1 *	5/2015	McRory	H04N 7/185 348/151
2015/0362172 A1 *	12/2015	Gabriel	F21V 33/0052 348/151
2016/0061428 A1 *	3/2016	Nimma	F21V 31/005 362/236

* cited by examiner

Primary Examiner — Clare E Heflin

(74) *Attorney, Agent, or Firm* — Michael D. Eisenberg

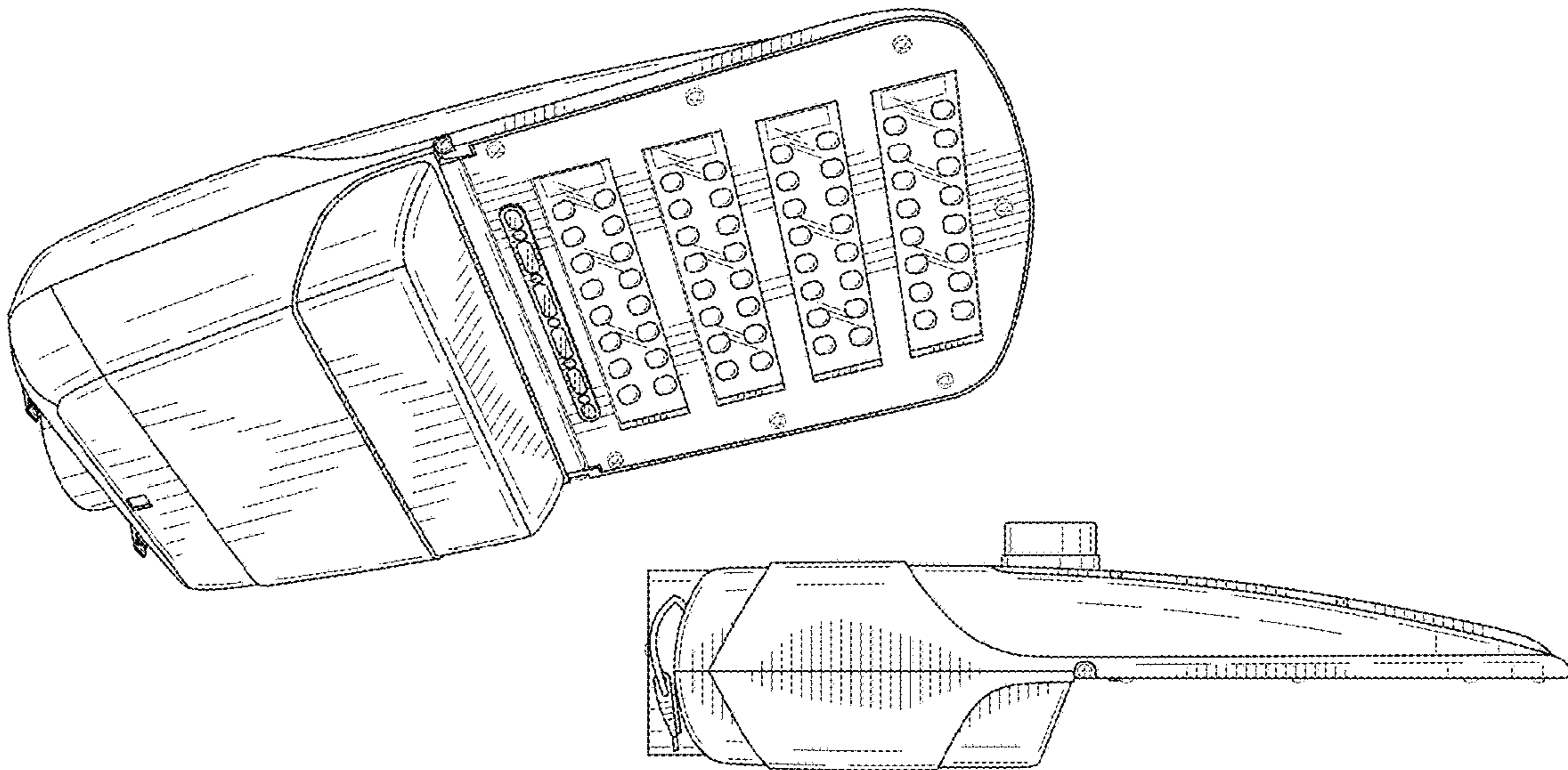
(57) **CLAIM**

The ornamental design for a street light, as shown and described.

DESCRIPTION

FIG. 1 is a perspective view of a street light showing my new design;
FIG. 2 is a top view of the street light;
FIG. 3 is a left side view of the street light;
FIG. 4 is a right side view of the street light;
FIG. 5 is a bottom view of the street light;
FIG. 6 is a rear view of the street light; and,
FIG. 7 is a front view of the street light.
The broken lines shown on the drawings depict portions of the street light that form no part of the claimed design.

1 Claim, 3 Drawing Sheets



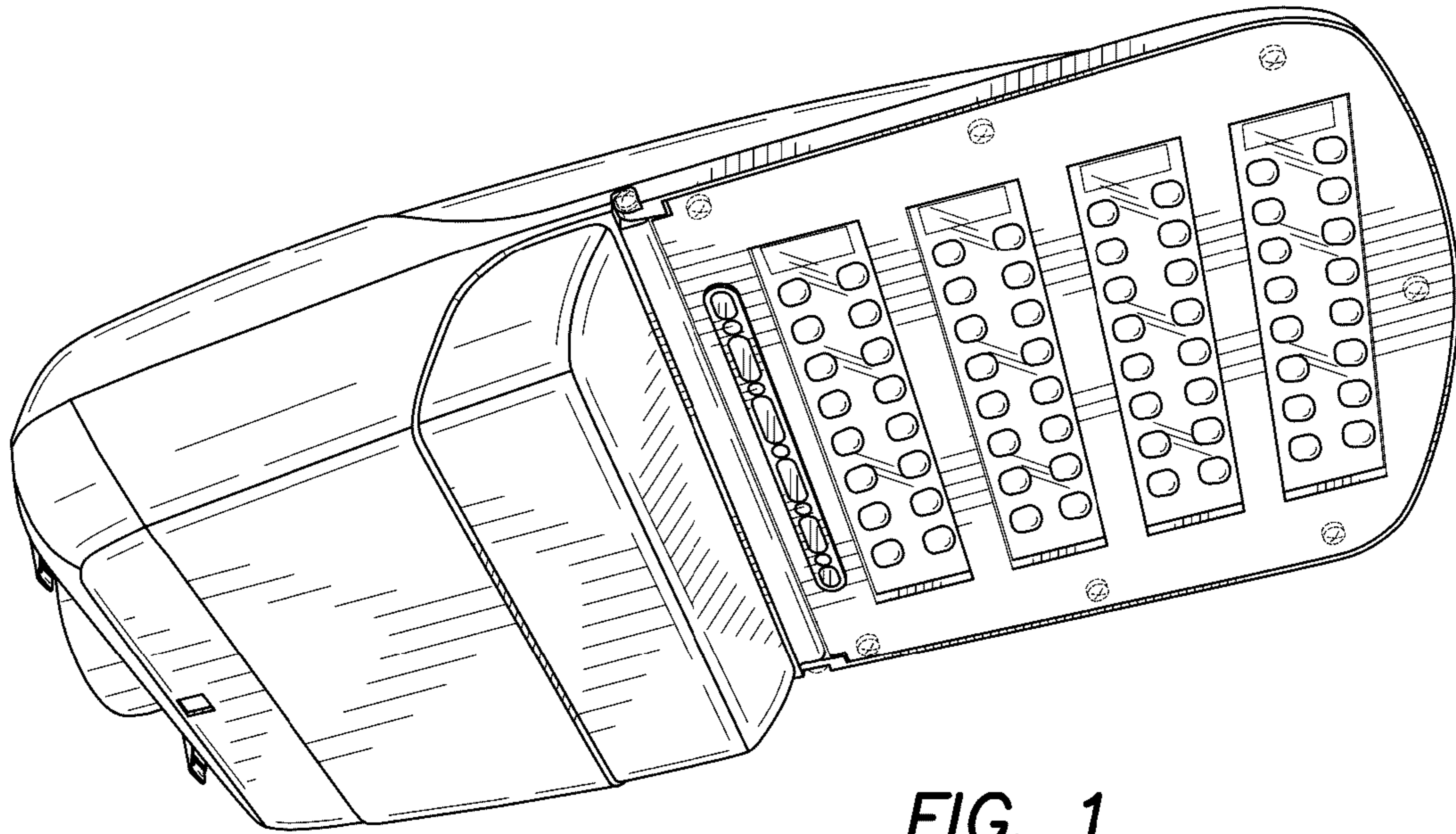


FIG. 1

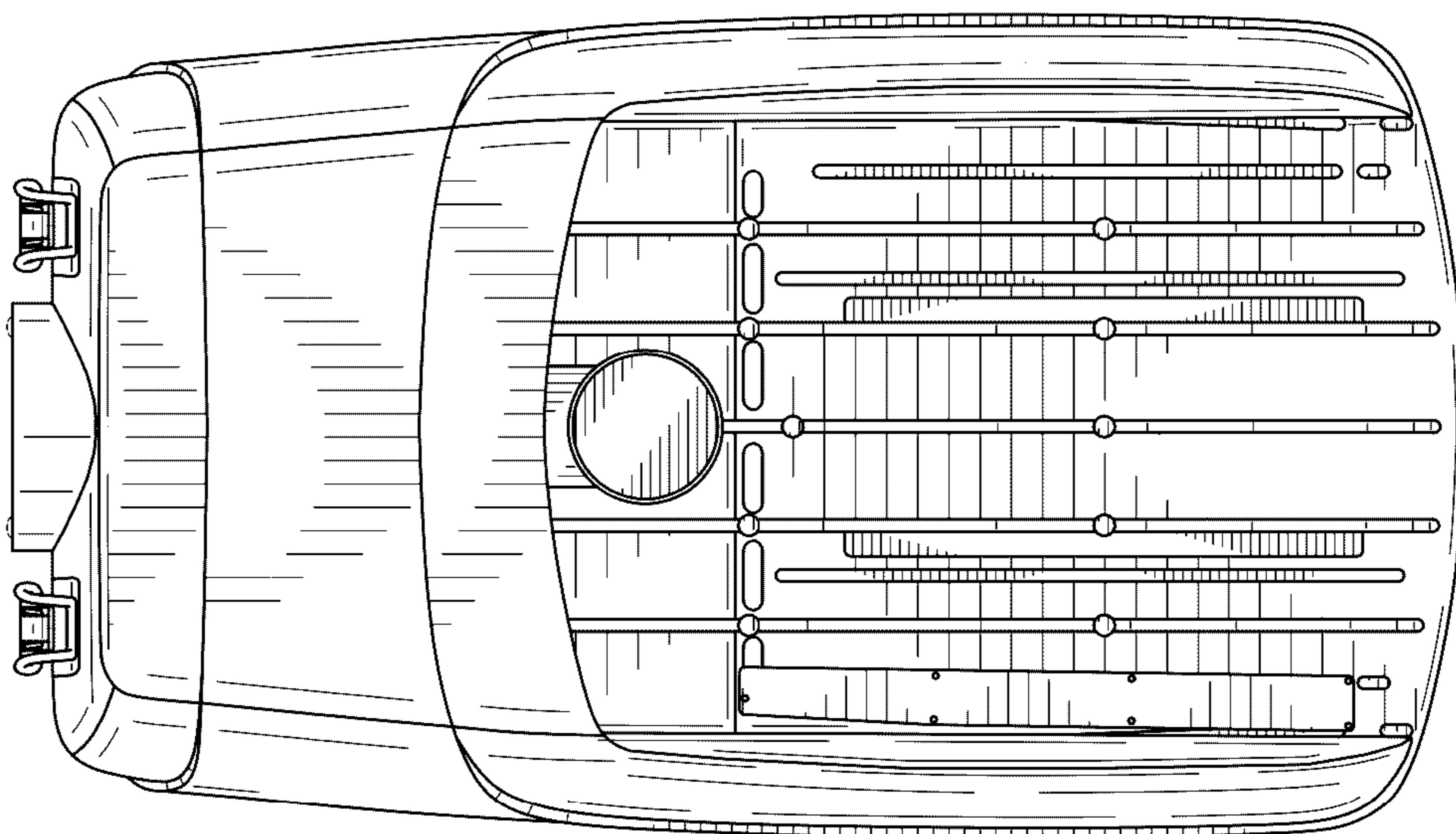


FIG. 2

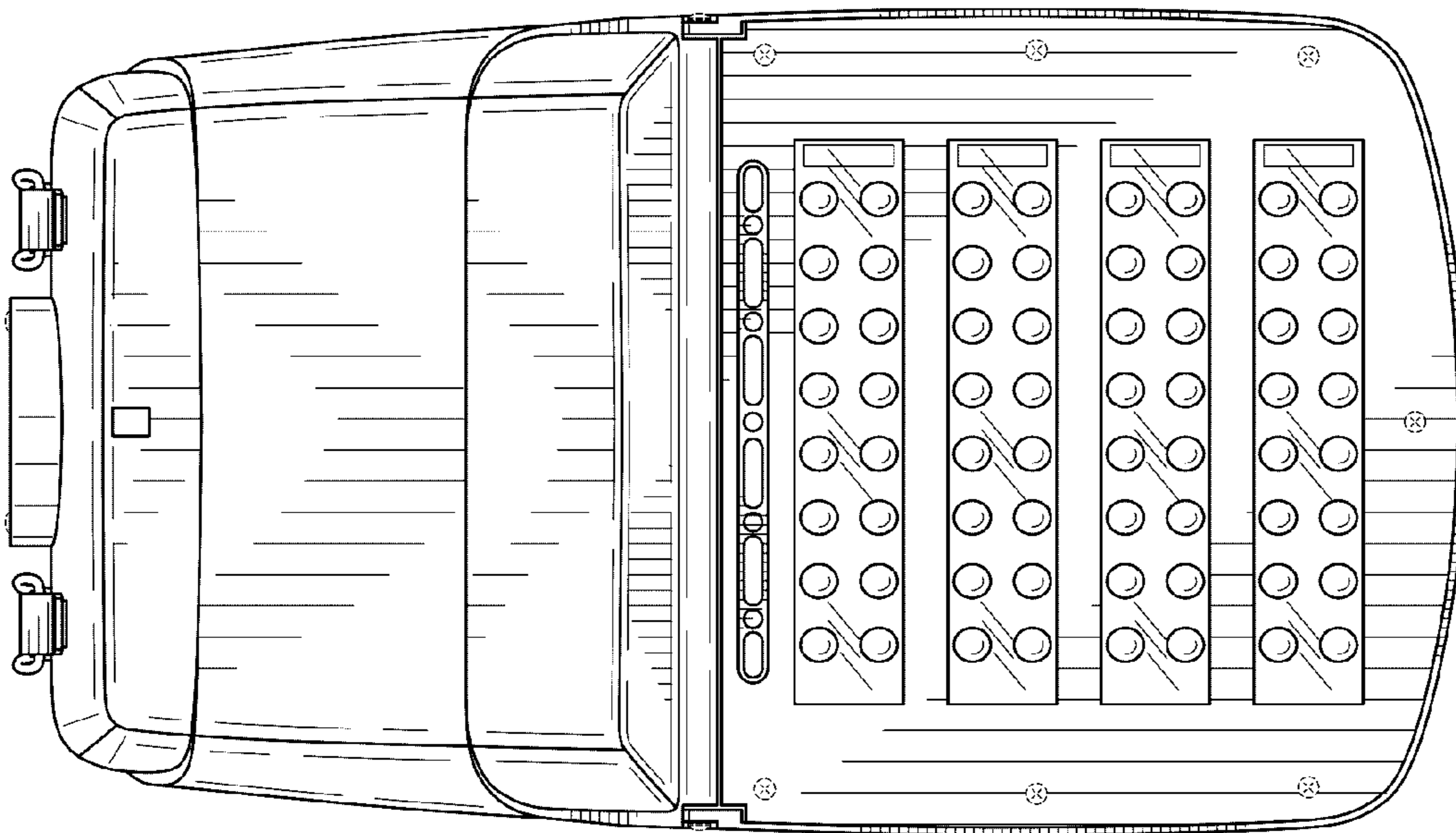
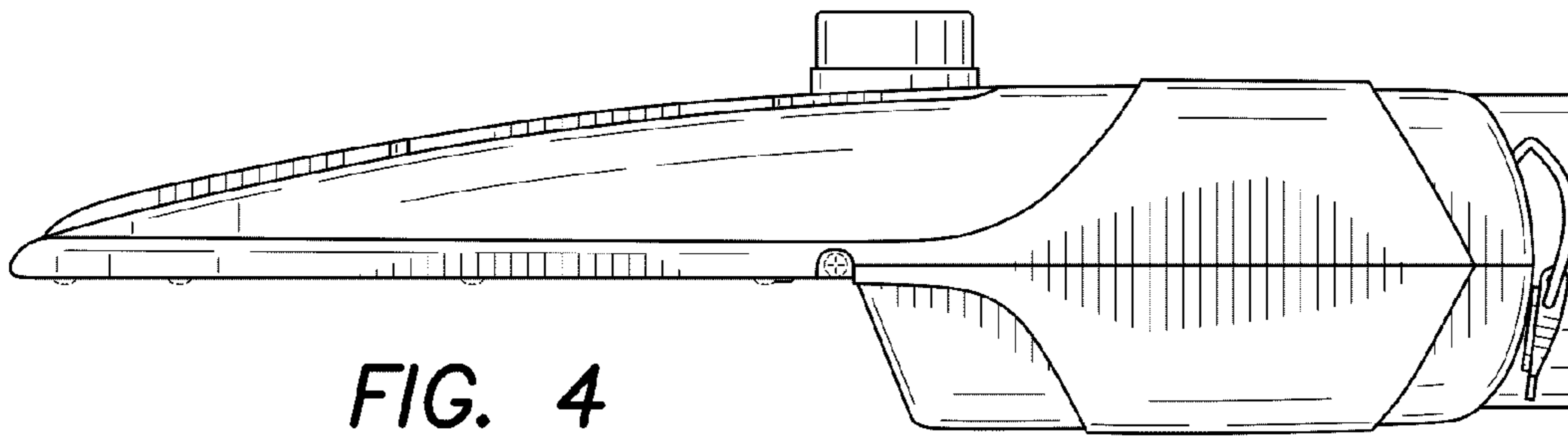
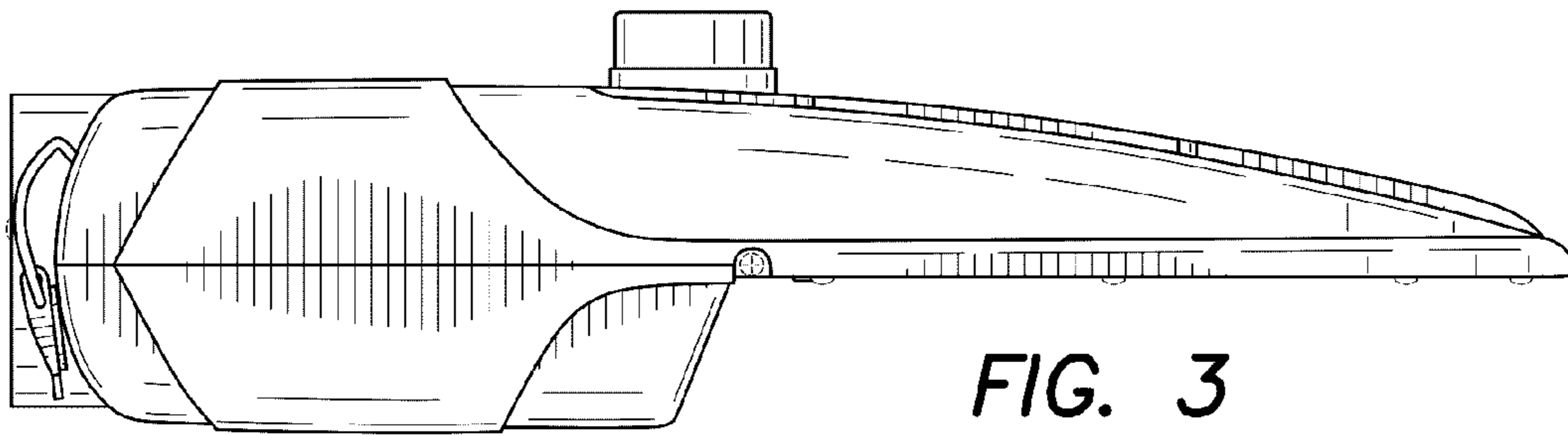


FIG. 5

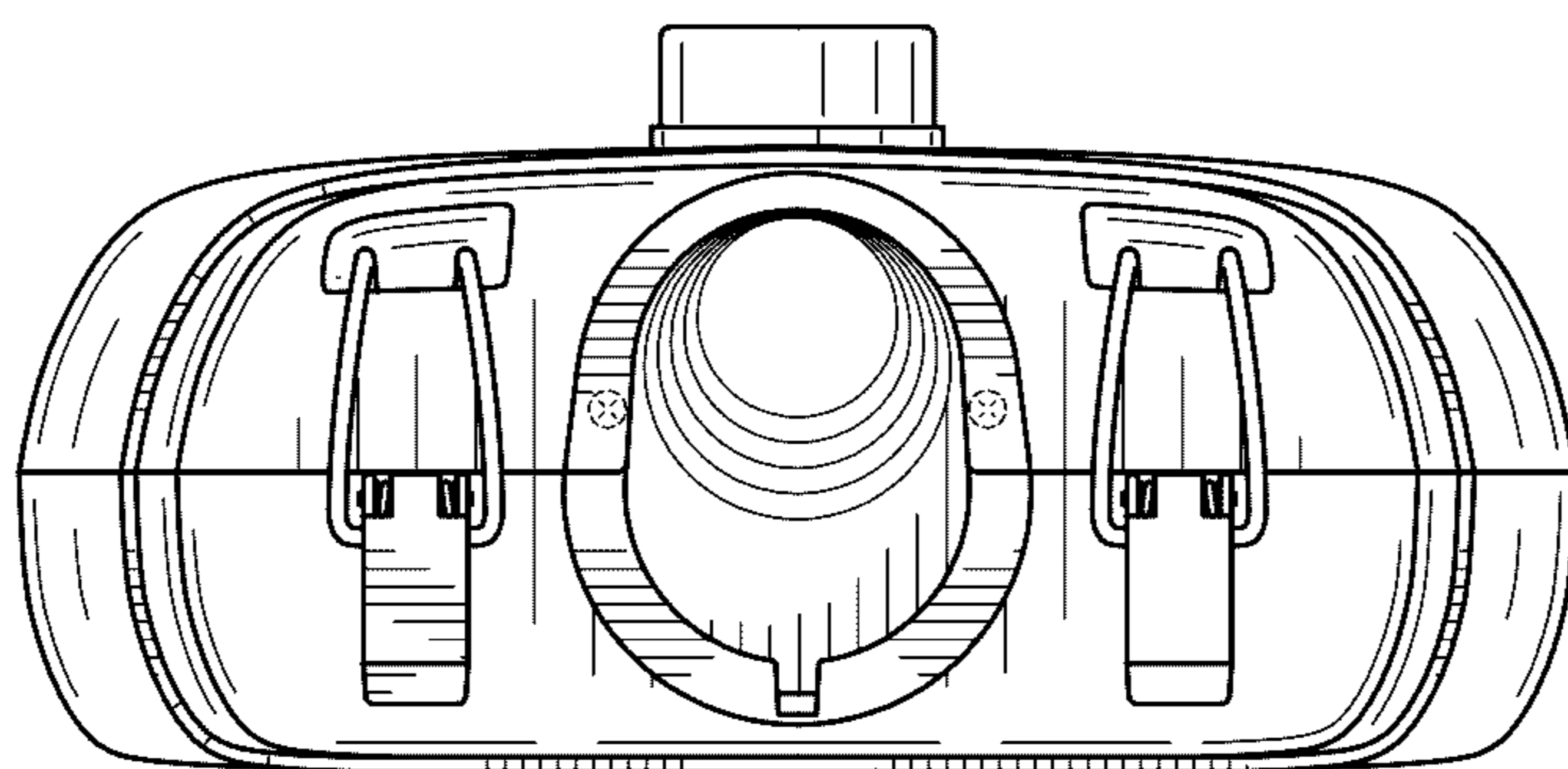


FIG. 6

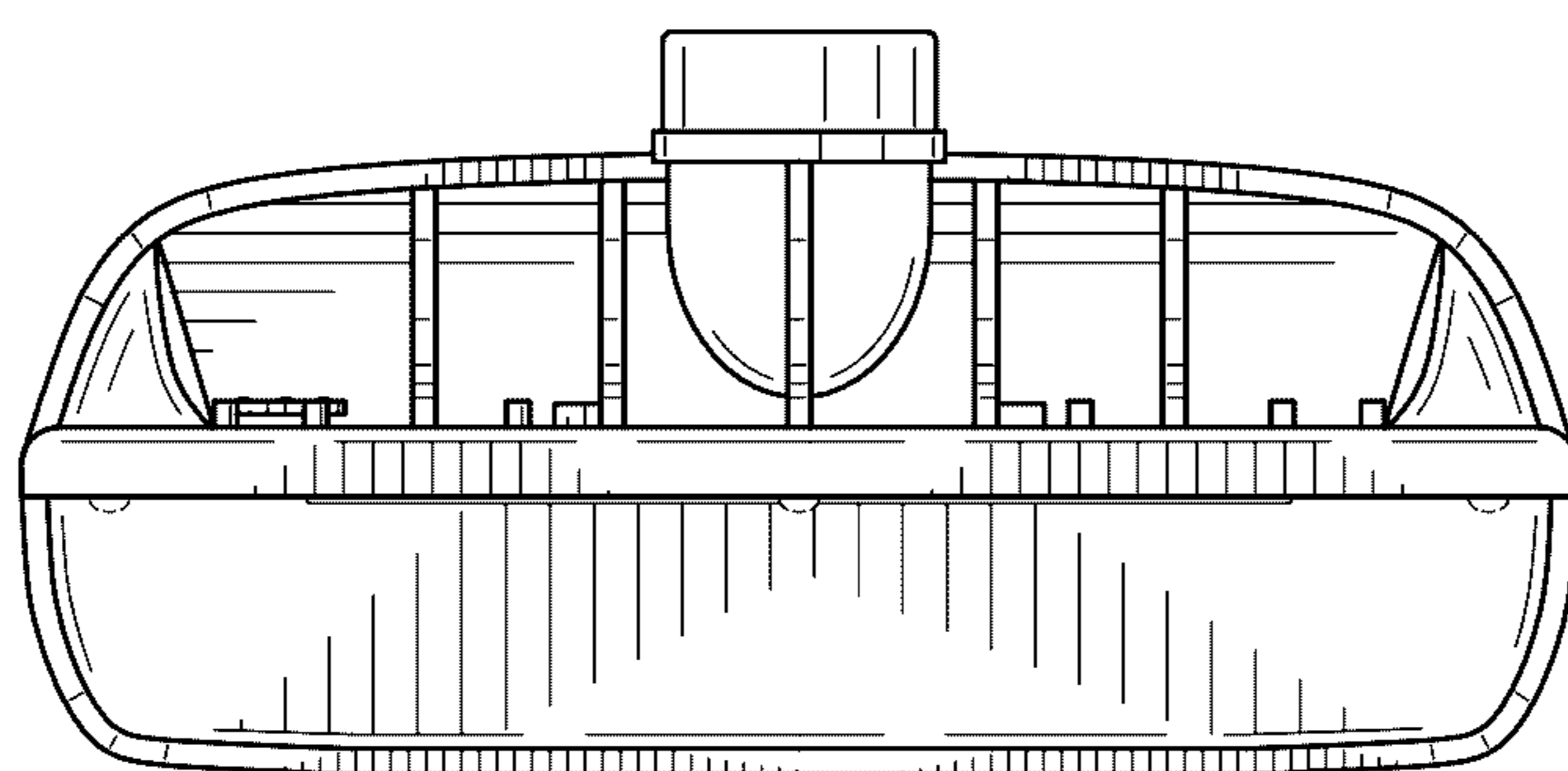


FIG. 7