



US00D773095S

(12) **United States Design Patent**
Rieben

(10) **Patent No.:** **US D773,095 S**

(45) **Date of Patent:** **** Nov. 29, 2016**

(54) **LED BOOM**

(71) Applicant: **Mosmatic AG**, Necker (CH)

(72) Inventor: **Patrick Rieben**, Necker (CH)

(73) Assignee: **MOSMATIC AG**, Necker (CH)

(**) Term: **15 Years**

(21) Appl. No.: **29/541,050**

(22) Filed: **Sep. 30, 2015**

Related U.S. Application Data

(62) Division of application No. 29/484,414, filed on Mar. 10, 2014.

(30) **Foreign Application Priority Data**

Sep. 10, 2013 (EM) 002305524

(51) **LOC (10) Cl.** **26-03**

(52) **U.S. Cl.**
USPC **D26/63**

(58) **Field of Classification Search**
USPC D26/1, 24, 61, 63, 65, 85, 92
CPC F21V 21/14; F21V 15/01; F21V 14/02;
F21V 21/30; F21V 21/00; F21V 14/00;
F21S 8/00; F21S 8/003; F21S 8/043; F21Y
2105/001

See application file for complete search history.

(56) **References Cited**

U.S. PATENT DOCUMENTS

D495,082 S *	8/2004	Marchand	D26/65
D510,451 S *	10/2005	Marchand	D26/65
D513,082 S *	12/2005	Hoshikawa et al.	D26/25
D623,321 S *	9/2010	Levine	D26/25
D637,333 S *	5/2011	Chan	D26/65
D715,974 S *	10/2014	Tunze et al.	D26/24

* cited by examiner

Primary Examiner — Brian N Vinson

(74) *Attorney, Agent, or Firm* — Browdy and Neimark, PLLC

(57) **CLAIM**

The ornamental design for an LED boom, as shown and described.

DESCRIPTION

FIG. 1 is a perspective view of an LED boom the present design;

FIG. 2 is a right side view thereof;

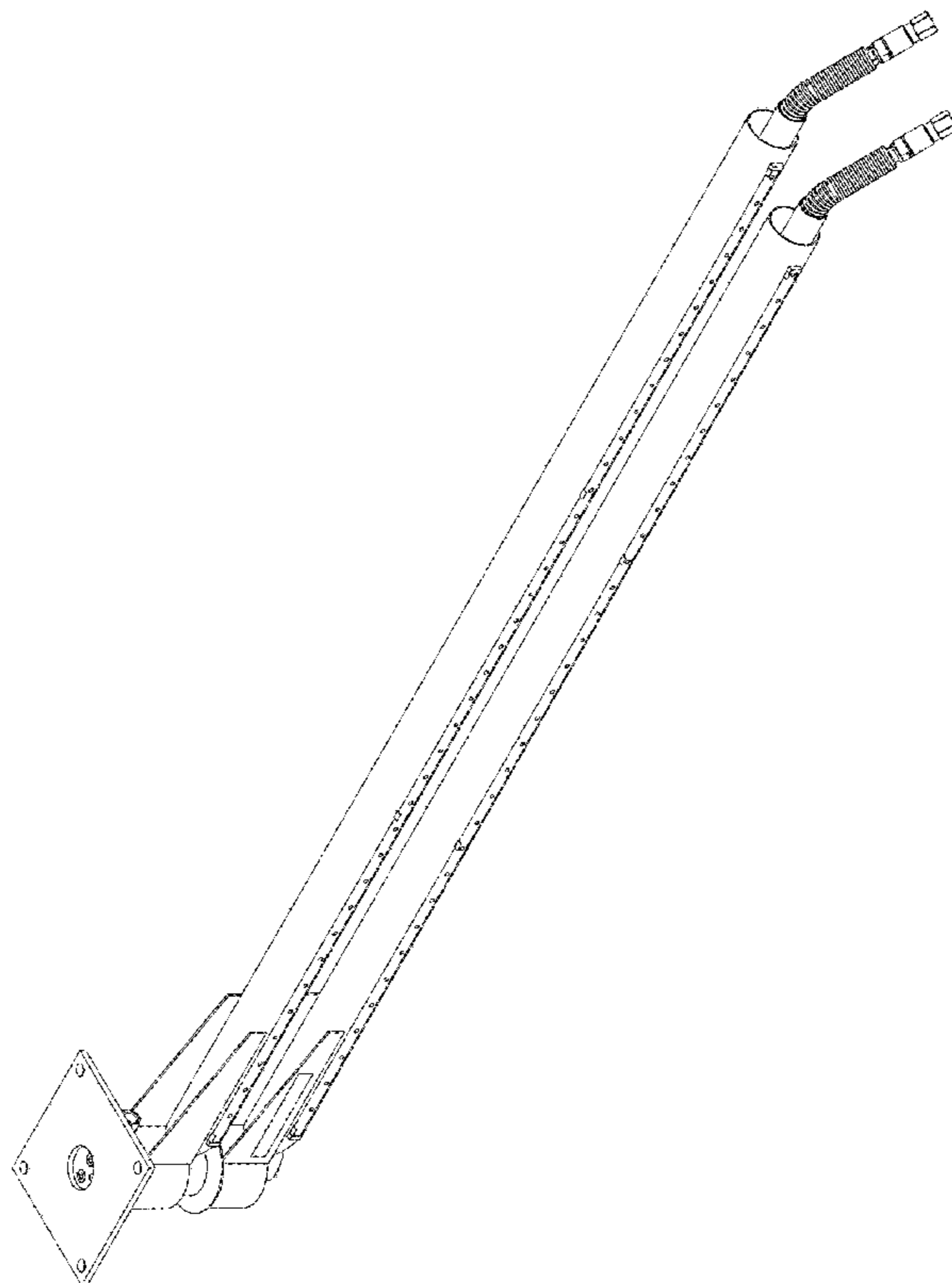
FIG. 3 is a left side view thereof;

FIG. 4 is a top view thereof; and,

FIG. 5 is a bottom view thereof.

The broken line showing of portions of the LED boom is for the purpose of illustrating the article and forms no part of the claimed design.

1 Claim, 5 Drawing Sheets



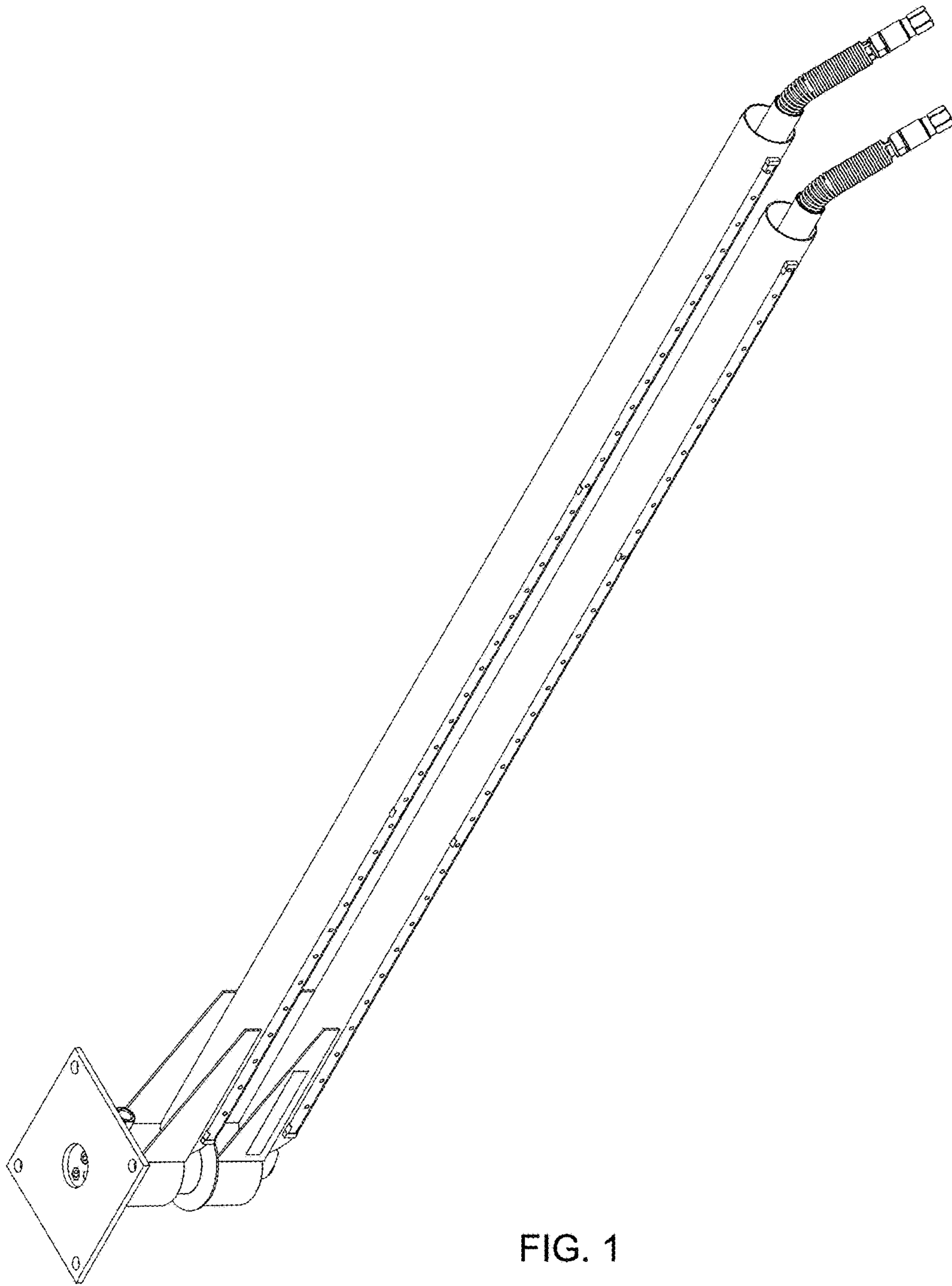


FIG. 1

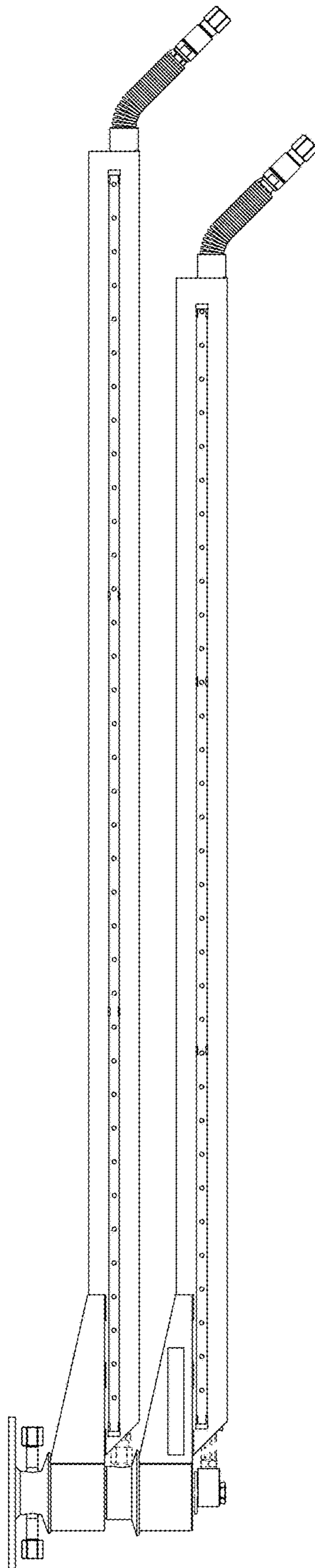


FIG. 2

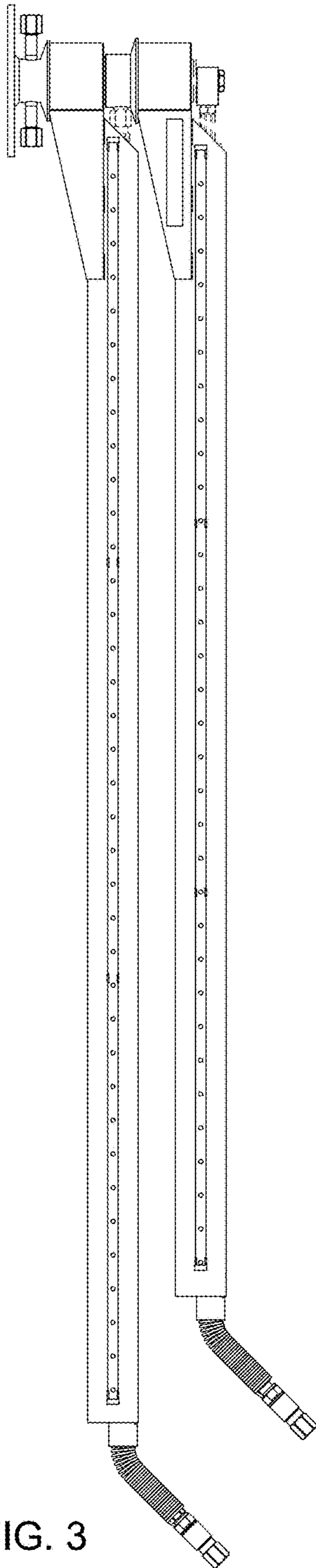


FIG. 3

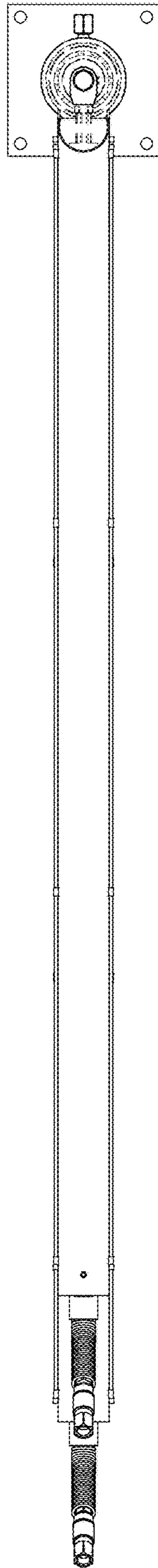


FIG. 4

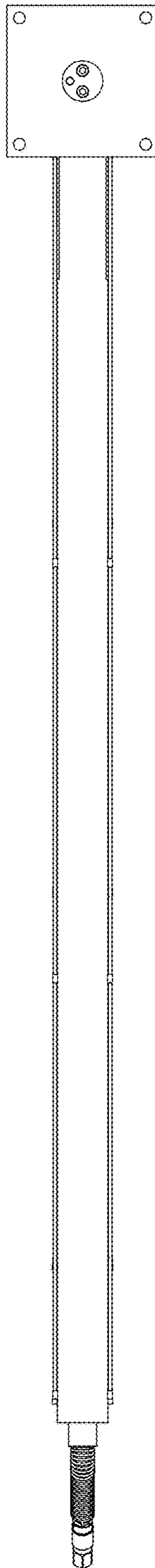


FIG. 5