



US00D773094S

(12) **United States Design Patent**
Dworschak

(10) **Patent No.:** **US D773,094 S**

(45) **Date of Patent:** **** Nov. 29, 2016**

(54) **SPOTLIGHT**

(71) Applicant: **ERCO GmbH**, Lüdenscheid (DE)

(72) Inventor: **Alois Dworschak**, Lüdenscheid (DE)

(73) Assignee: **ERCO GMBH**, Lüdenscheid (DE)

(**) Term: **14 Years**

(21) Appl. No.: **29/524,213**

(22) Filed: **Apr. 17, 2015**

(30) **Foreign Application Priority Data**

Oct. 20, 2014 (EM) 001423347-0007

(51) **LOC (10) Cl.** **26-03**

(52) **U.S. Cl.**
USPC **D26/63**

(58) **Field of Classification Search**
USPC D26/1, 24, 61, 63, 65, 37
CPC F21V 21/14; F21V 15/01; F21V 14/02;
F21V 21/30; F21V 21/00; F21V 14/00;
F21S 8/00; F21S 8/003; F21S 8/043; F21Y
2105/001
See application file for complete search history.

(56) **References Cited**

U.S. PATENT DOCUMENTS

D407,518 S * 3/1999 Yeh D26/63
D617,931 S * 6/2010 Chen D26/60
D655,841 S * 3/2012 Coleman, Jr. D26/63

D664,285 S * 7/2012 Toft D26/63
D689,232 S * 9/2013 Velazquez D26/63
D702,866 S * 4/2014 Blincoe D26/63
D708,378 S * 7/2014 Recker D26/61
D715,474 S * 10/2014 Janos D26/63
D740,989 S * 10/2015 Vasquez D26/63

* cited by examiner

Primary Examiner — Brian N Vinson

(74) *Attorney, Agent, or Firm* — Andrew Wilford

(57) **CLAIM**

The ornamental design for a spotlight, as shown and described.

DESCRIPTION

FIG. 1 is a right-side elevational view of the invention;
FIG. 2 is a front elevational view of the invention;
FIG. 3 is a left-side elevational view of the invention;
FIG. 4 is a rear elevational view of the invention;
FIG. 5 is a view along the light-beam axis of the invention;
FIG. 6 is a right-front perspective view of the invention; and,
FIG. 7 is a left-rear perspective view of the invention.

1 Claim, 7 Drawing Sheets

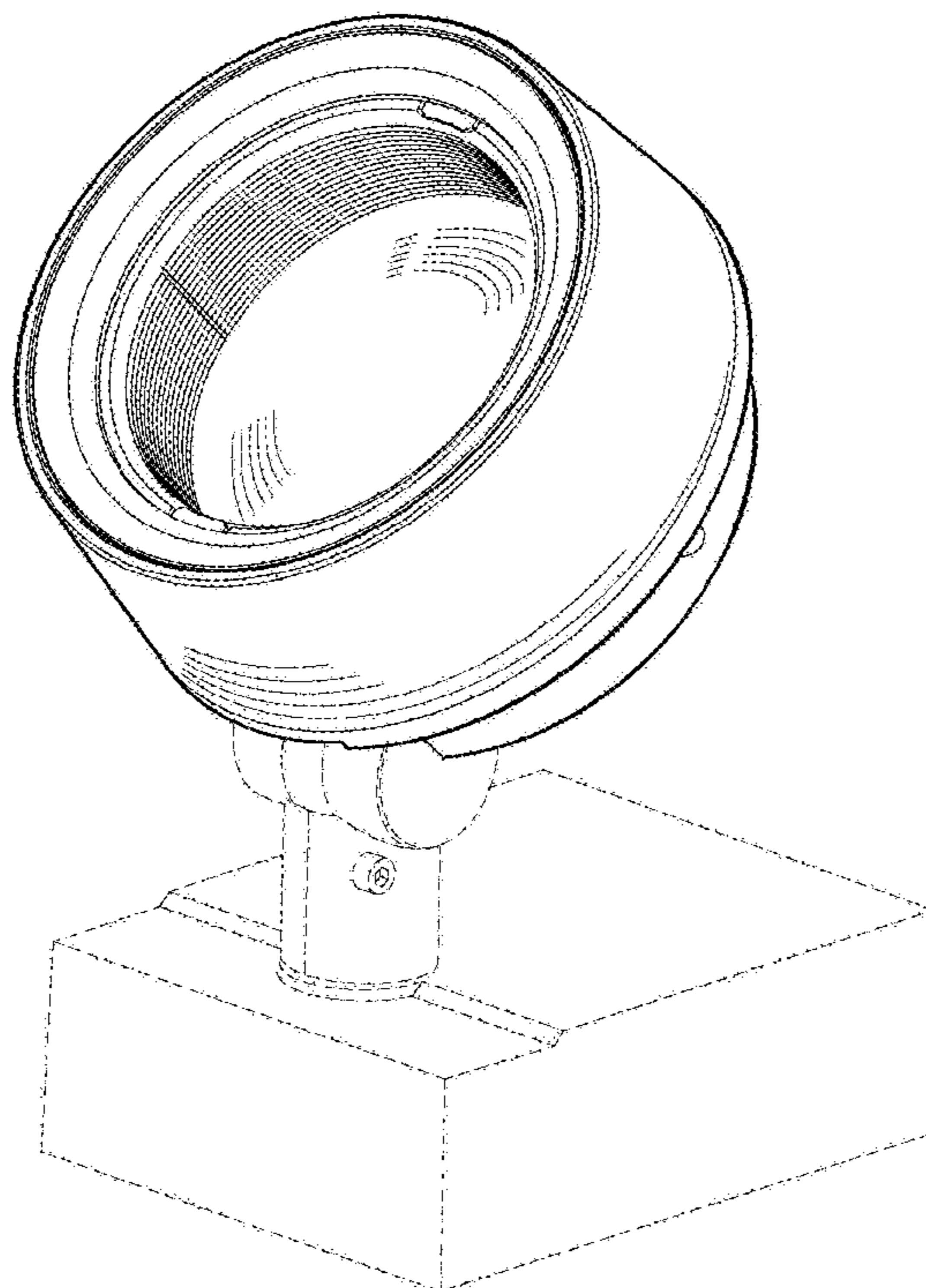


Fig. 1

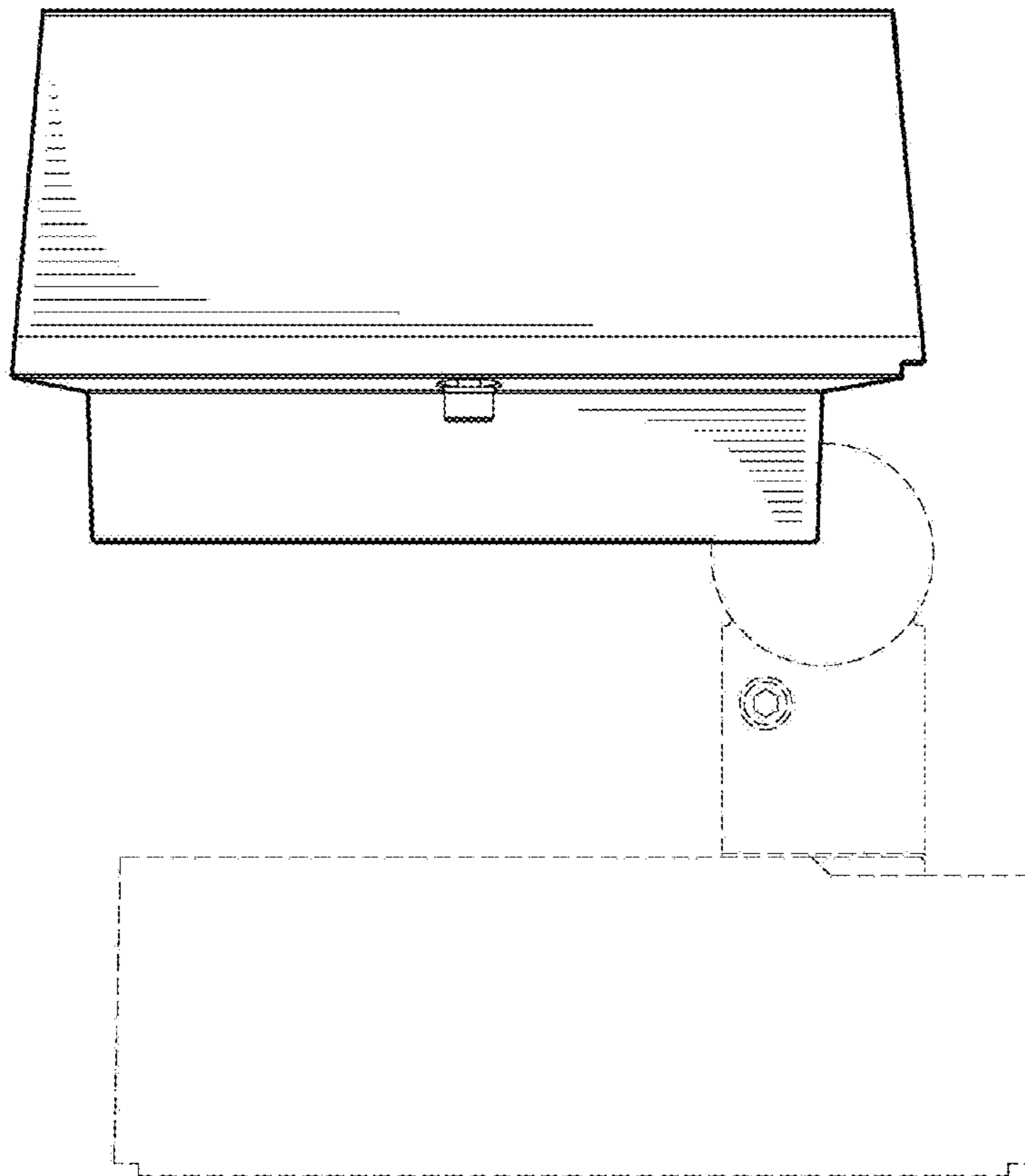


Fig. 2

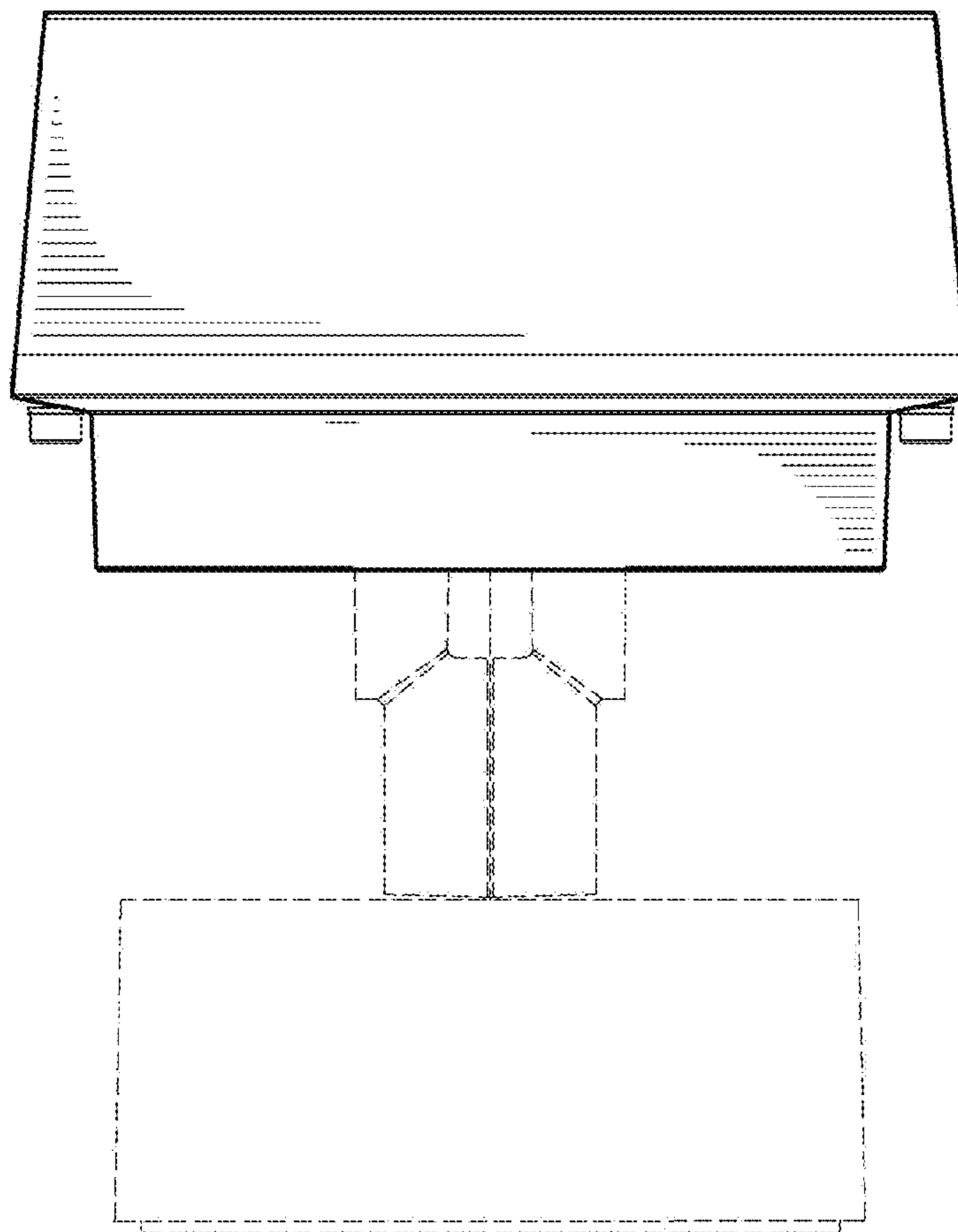


Fig. 3

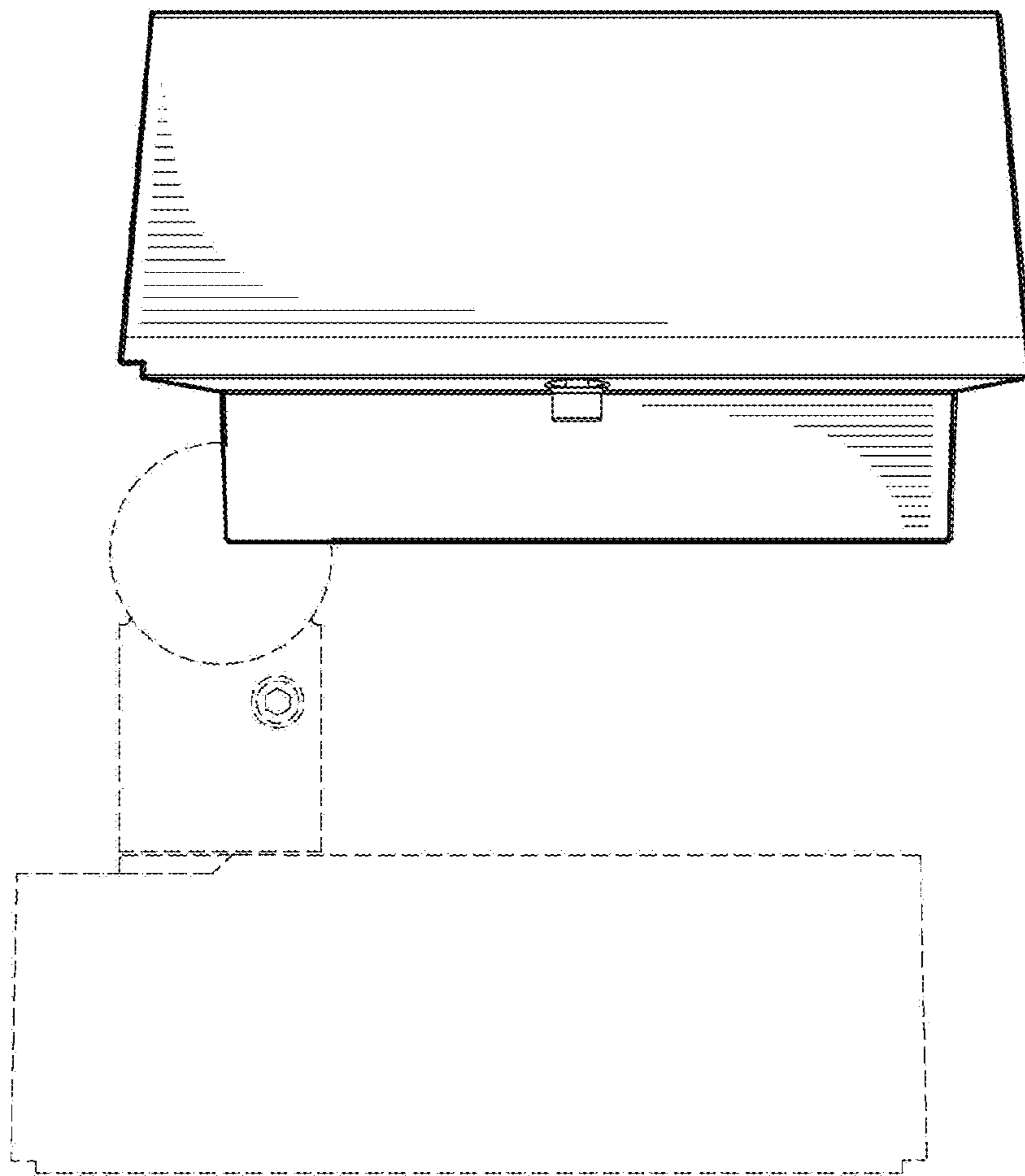


Fig. 4

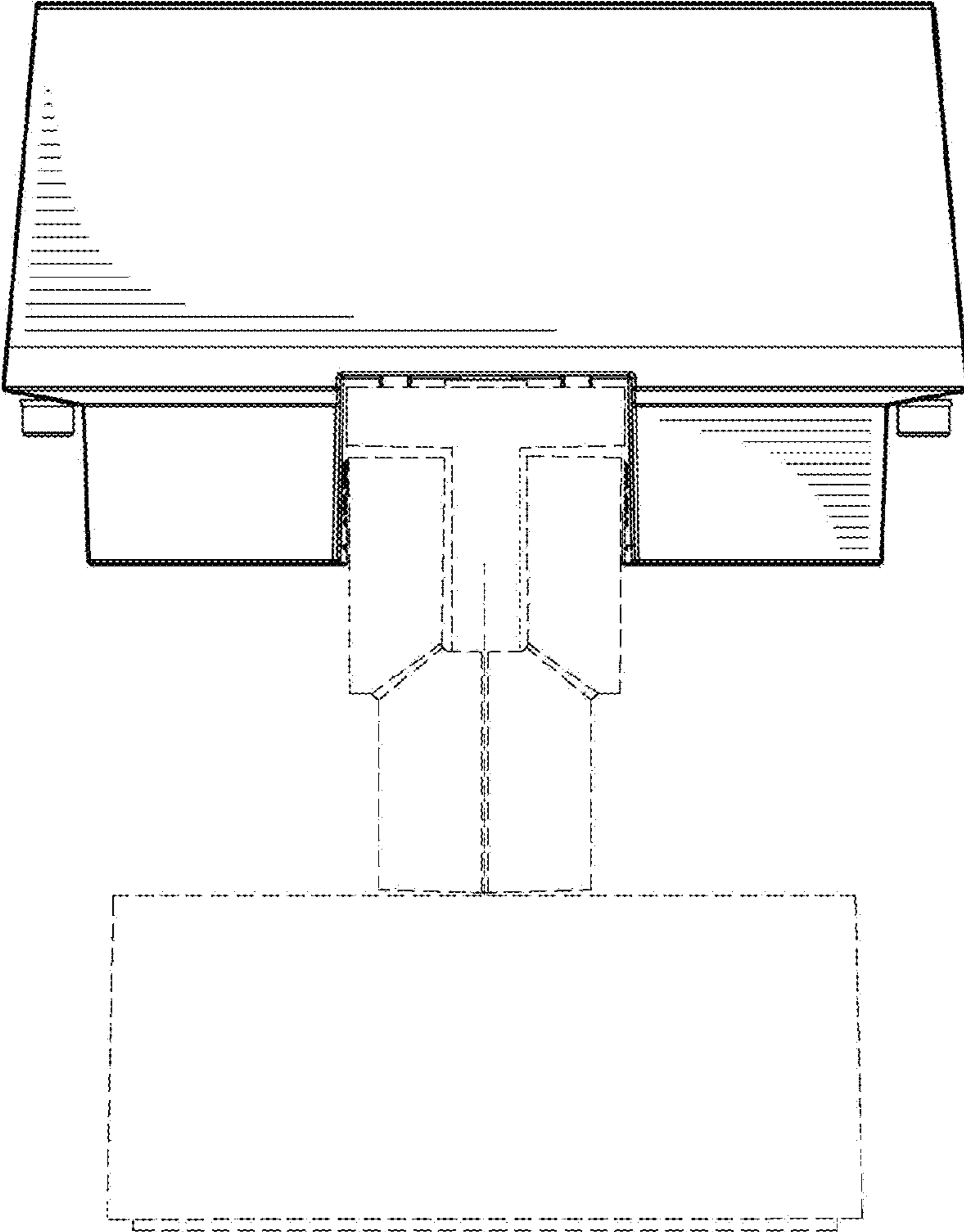


Fig. 5

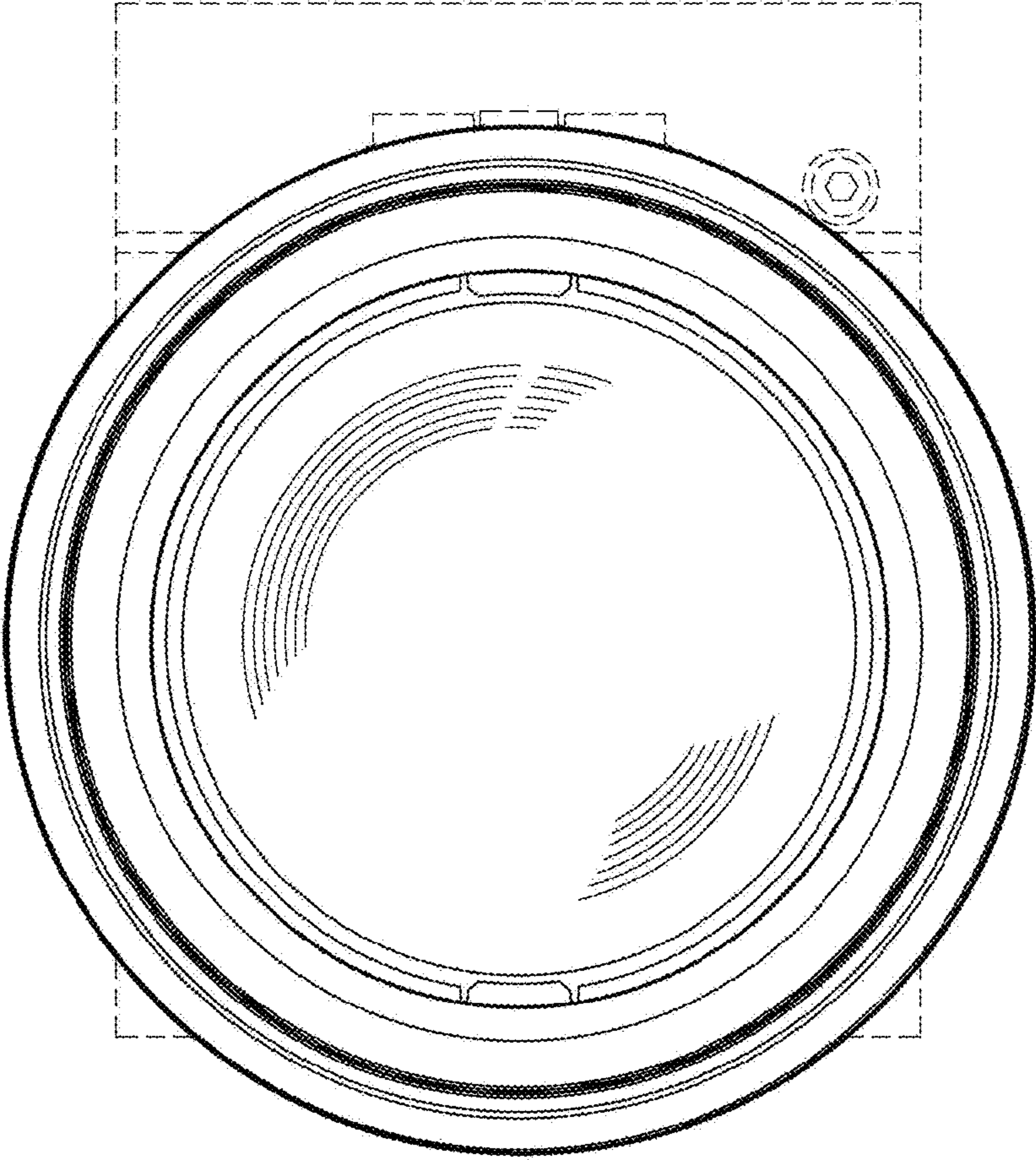


Fig. 6

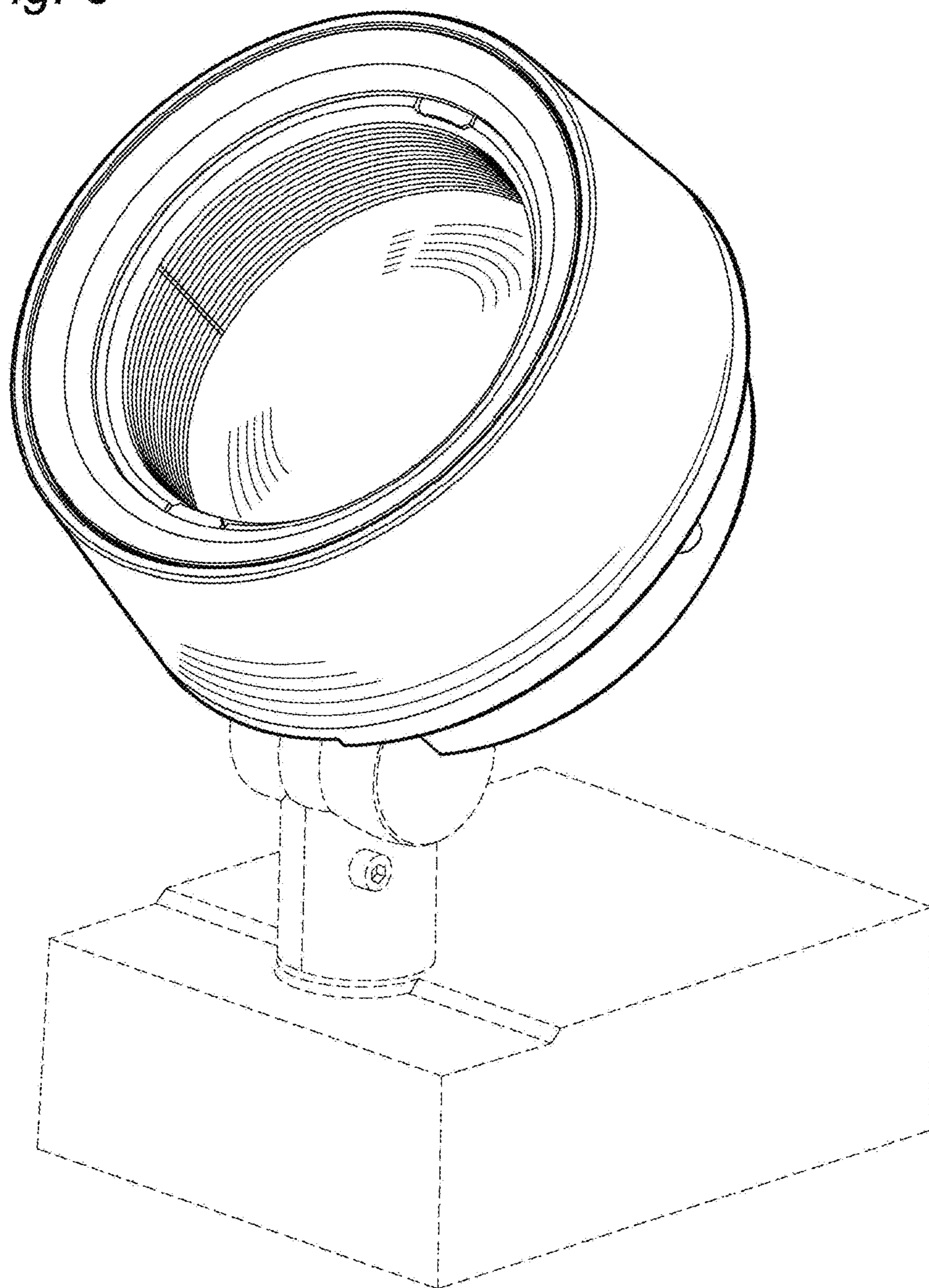


Fig. 7

