



US00D773093S

(12) **United States Design Patent**  
**Dworschak**

(10) **Patent No.:** **US D773,093 S**

(45) **Date of Patent:** **\*\* Nov. 29, 2016**

(54) **SPOTLIGHT**

(71) Applicant: **ERCO GmbH**, Lüdenscheid (DE)

(72) Inventor: **Alois Dworschak**, Lüdenscheid (DE)

(73) Assignee: **ERCO GMBH**, Lüdenscheid (DE)

(\*\*) Term: **14 Years**

(21) Appl. No.: **29/524,210**

(22) Filed: **Apr. 17, 2015**

D655,841 S *	3/2012	Coleman, Jr. ....	D26/63
D664,285 S *	7/2012	Toft .....	D26/63
D689,232 S *	9/2013	Velazquez .....	D26/63
D702,866 S *	4/2014	Blincoe .....	D26/63
D708,378 S *	7/2014	Recker .....	D26/61
D715,474 S *	10/2014	Janos .....	D26/63
D740,989 S *	10/2015	Vasquez .....	D26/63

\* cited by examiner

*Primary Examiner* — Brian N Vinson

(74) *Attorney, Agent, or Firm* — Andrew Wilford

(30) **Foreign Application Priority Data**

Oct. 20, 2014 (EM) ..... 001423347-0004

(51) **LOC (10) Cl.** ..... **26-03**

(52) **U.S. Cl.**  
USPC ..... **D26/63**

(58) **Field of Classification Search**  
USPC ..... D26/1, 24, 61, 63, 65, 37  
CPC ..... F21V 21/14; F21V 15/01; F21V 14/02;  
F21V 21/30; F21V 21/00; F21V 14/00;  
F21S 8/00; F21S 8/003; F21S 8/043; F21Y  
2105/001  
See application file for complete search history.

(56) **References Cited**

**U.S. PATENT DOCUMENTS**

D407,518 S *	3/1999	Yeh .....	D26/63
D617,931 S *	6/2010	Chen .....	D26/60

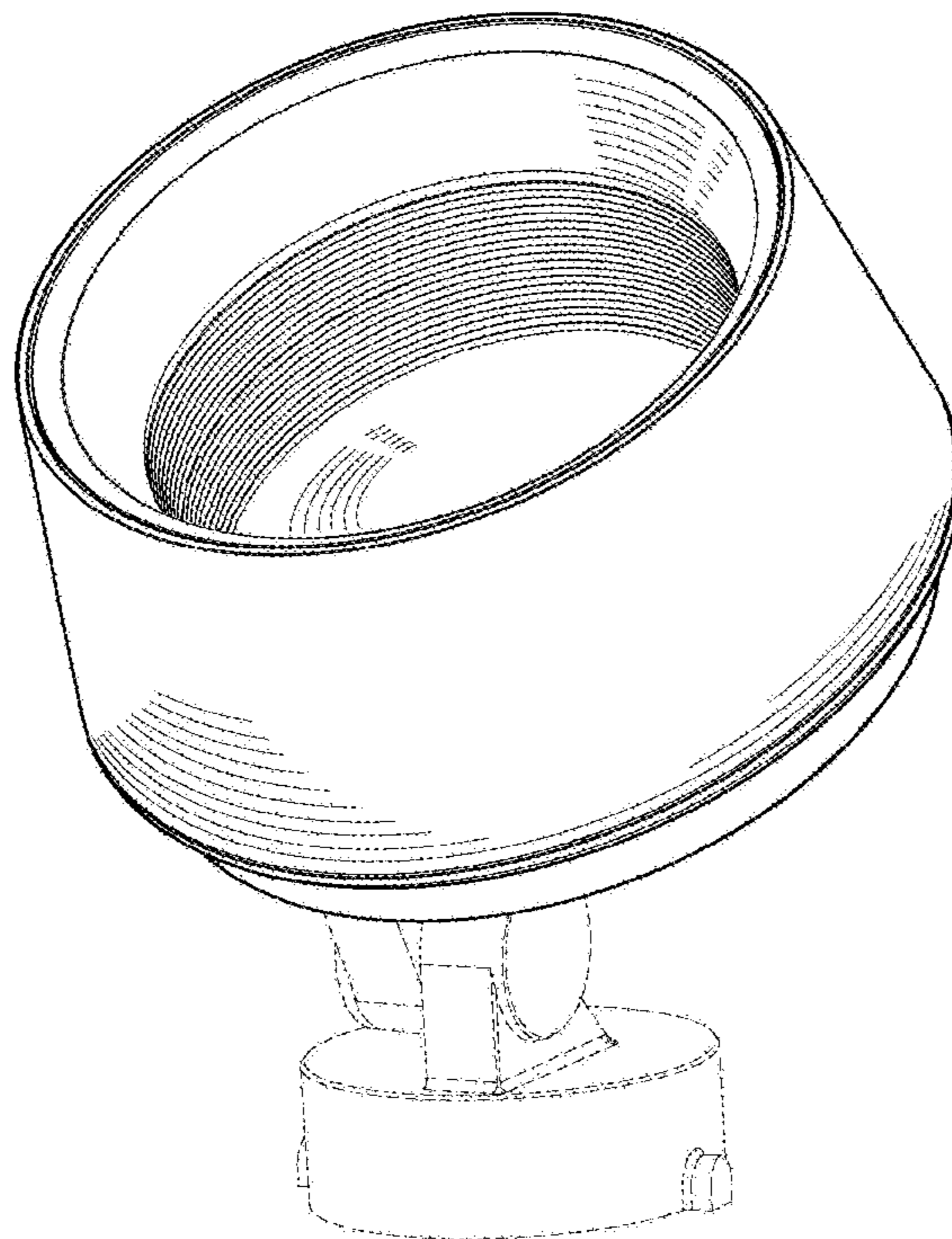
(57) **CLAIM**

The ornamental design for a spotlight, as shown and described.

**DESCRIPTION**

FIG. 1 is a view along the light-beam axis of the invention;  
FIG. 2 is a right-side elevational view of the invention;  
FIG. 3 is a front elevational view of the invention;  
FIG. 4 is a left-side elevational view of the invention;  
FIG. 5 is a rear elevational view of the invention;  
FIG. 6 is a right-front perspective view of the invention; and,  
FIG. 7 is a left-rear perspective view of the invention.

**1 Claim, 7 Drawing Sheets**



*Fig. 1*

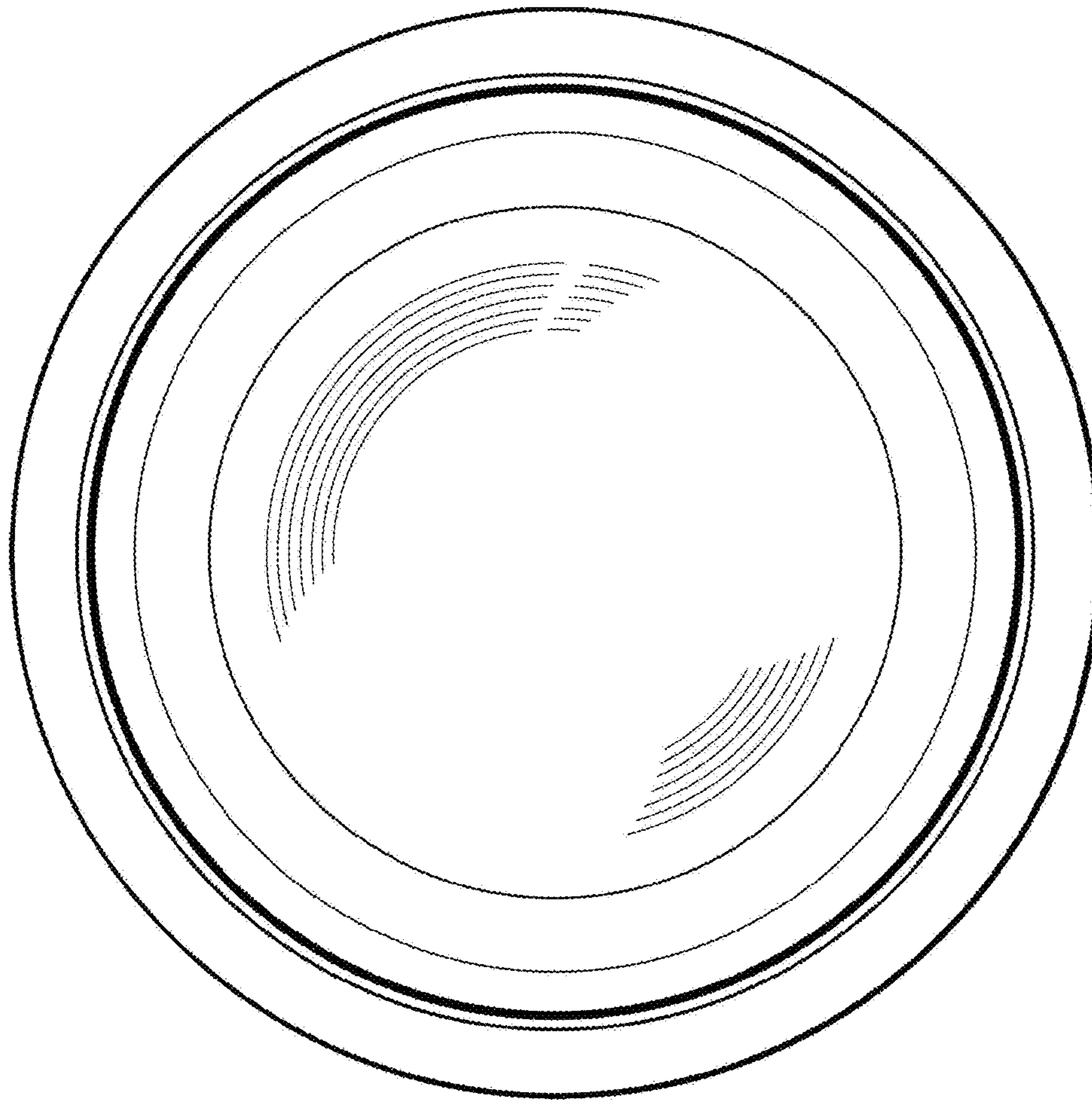
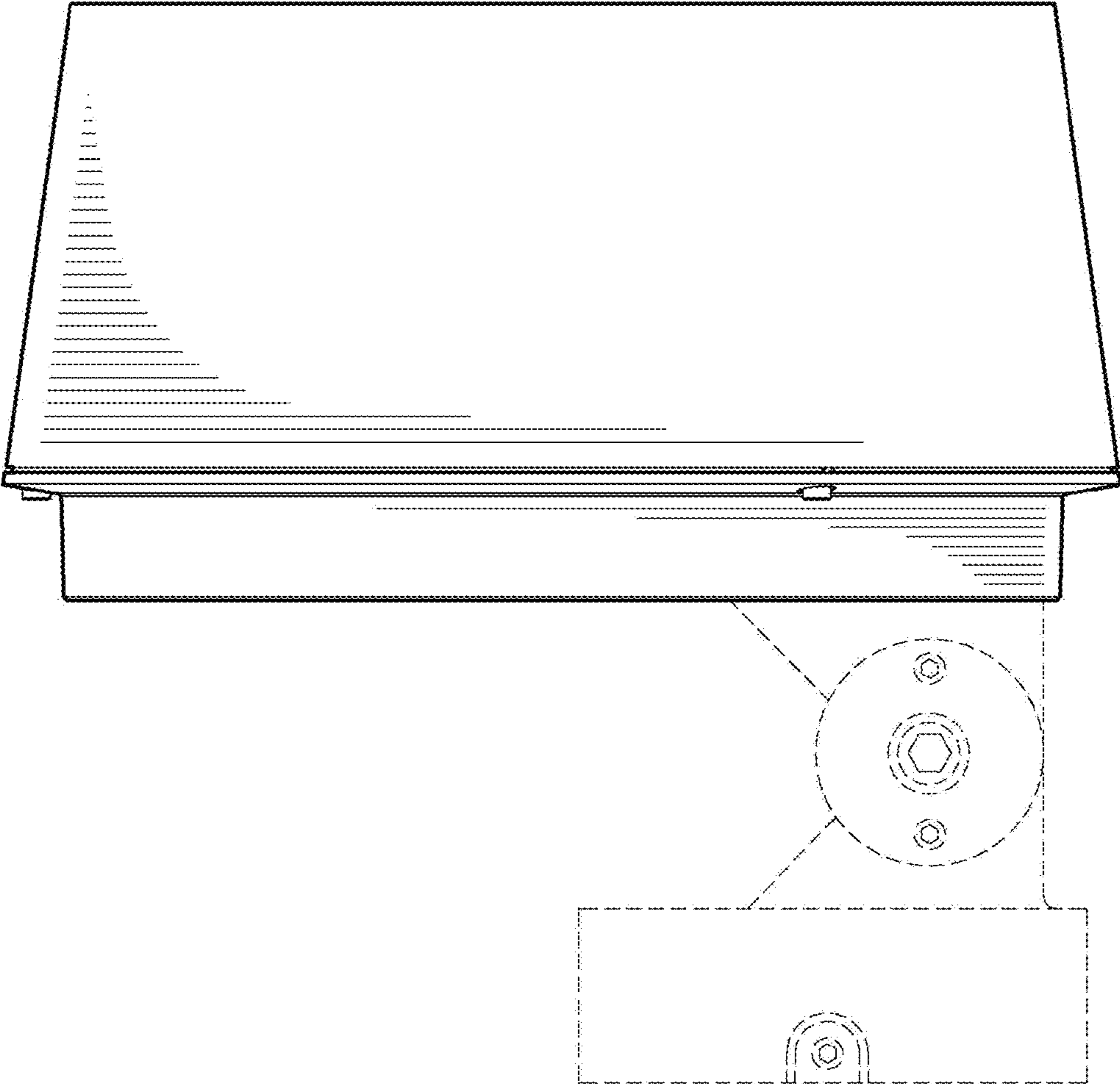
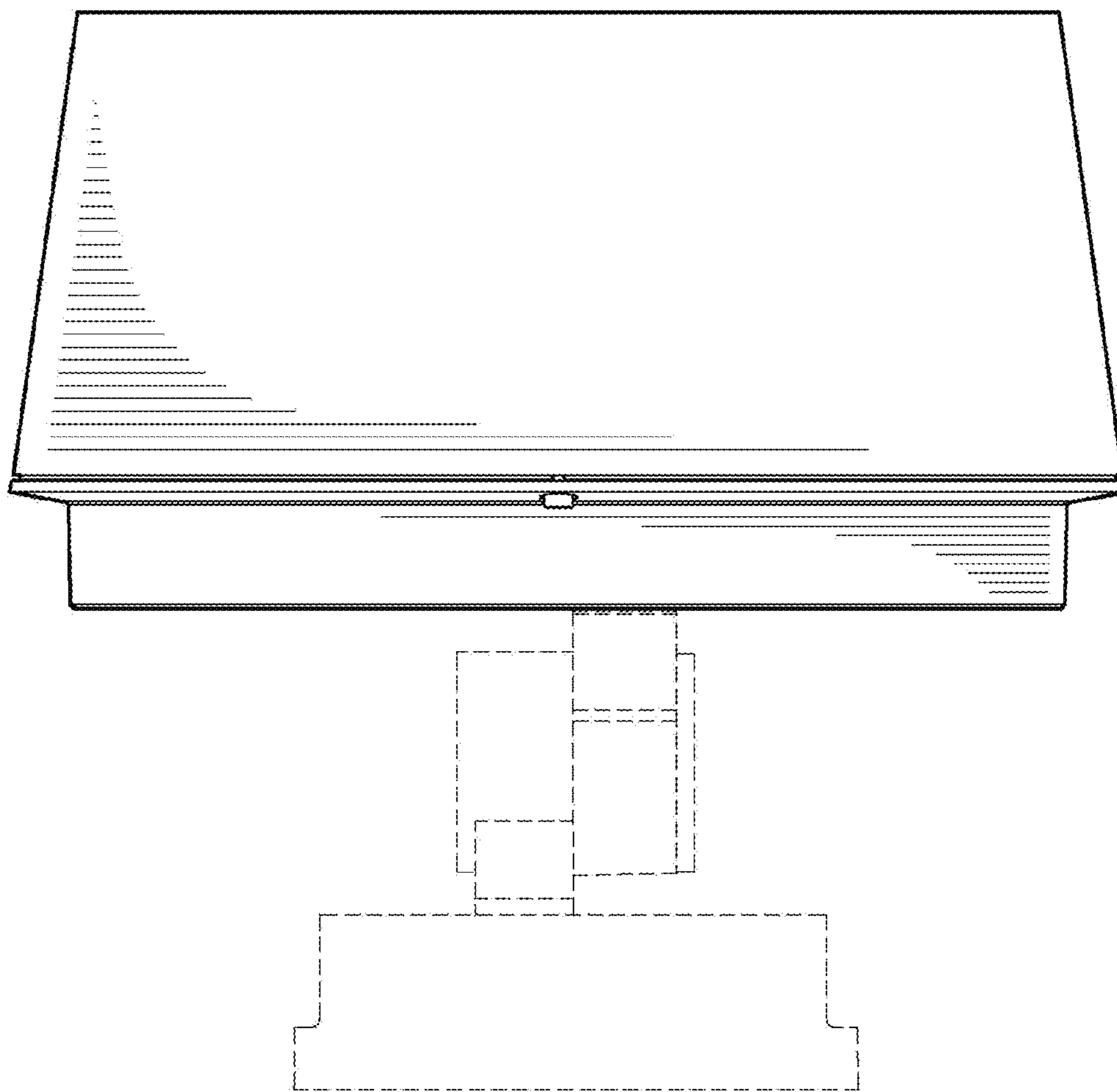


Fig. 2



*Fig. 3*



*Fig. 4*

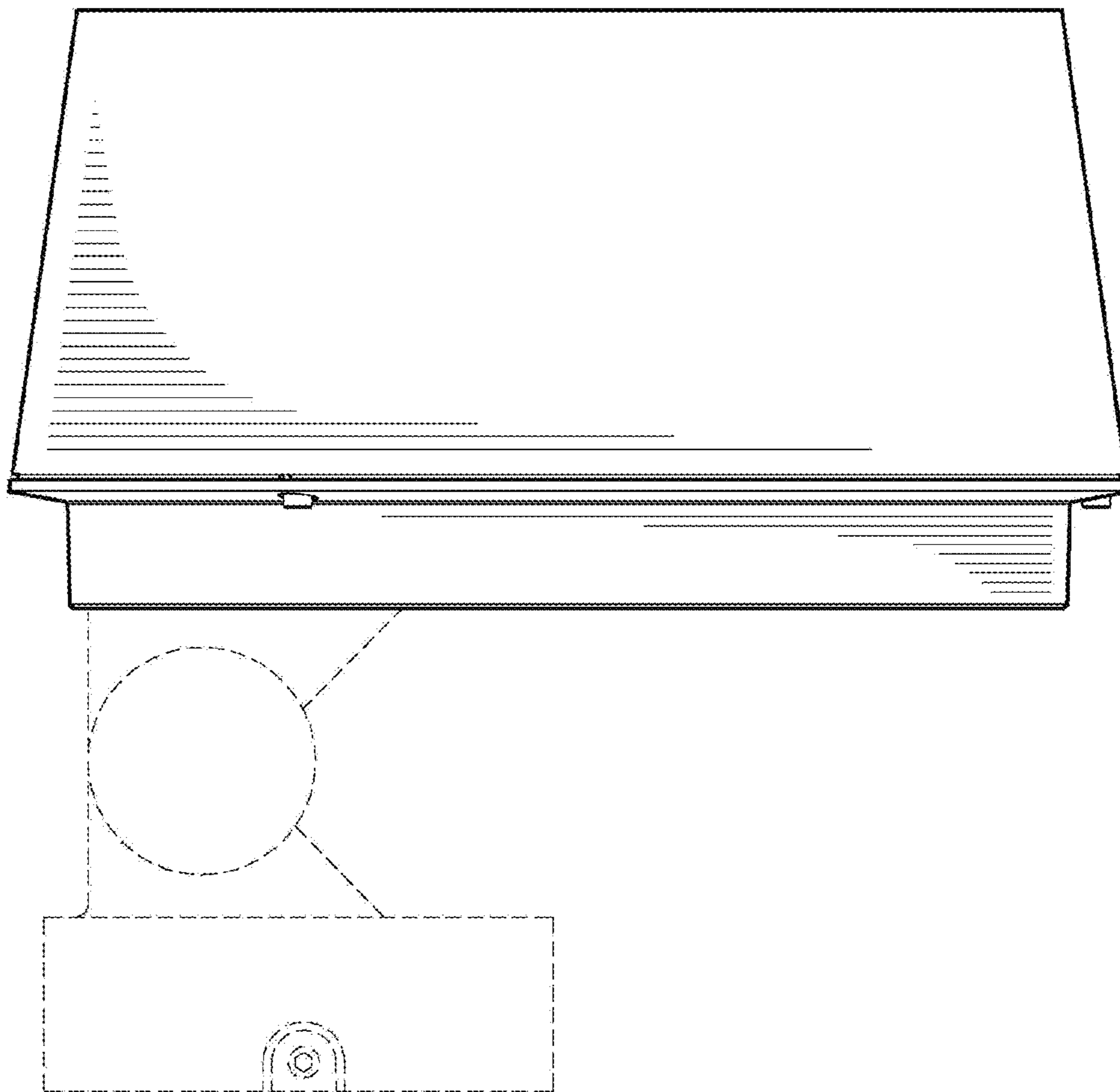
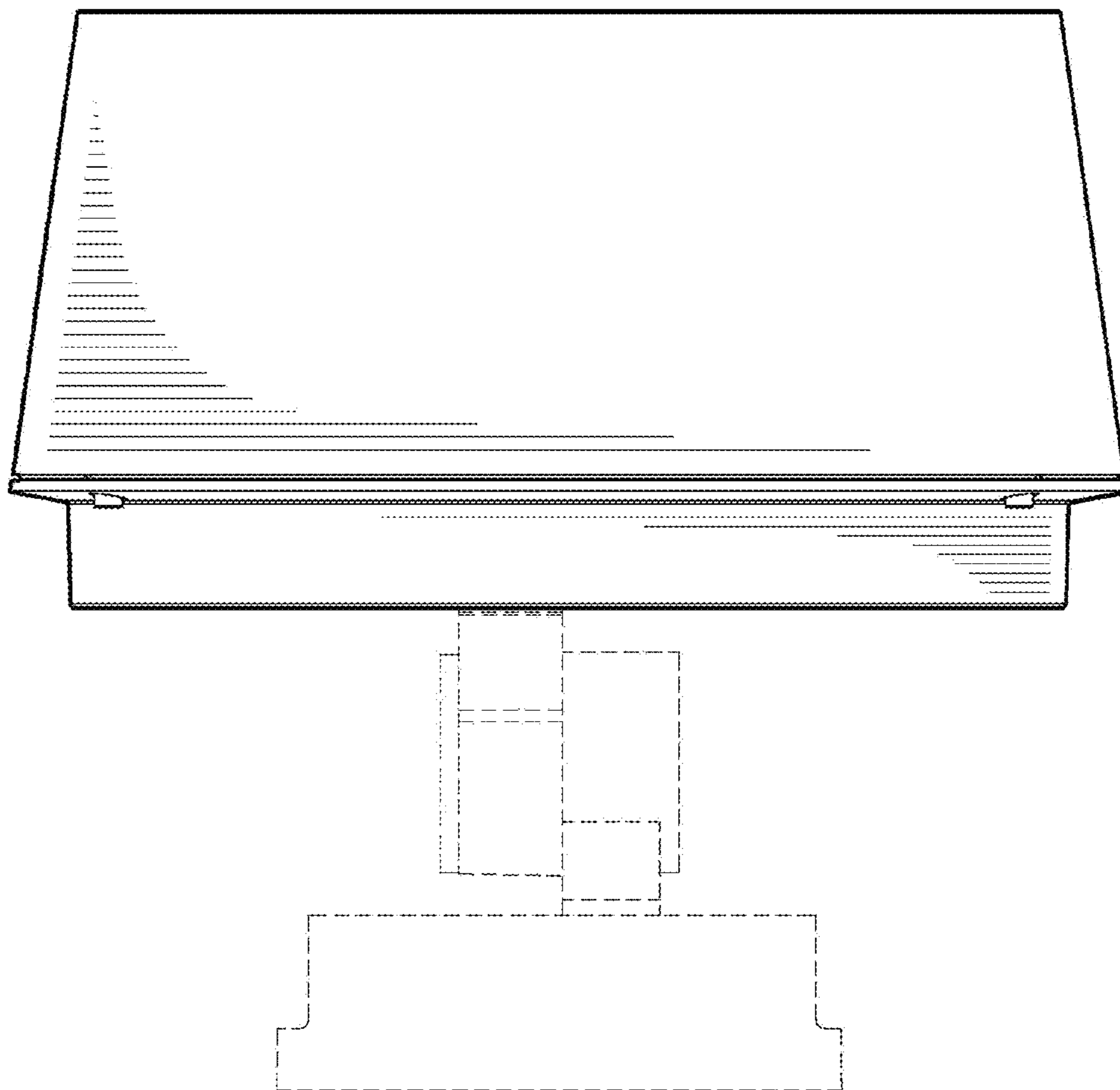


Fig. 5



*Fig. 6*

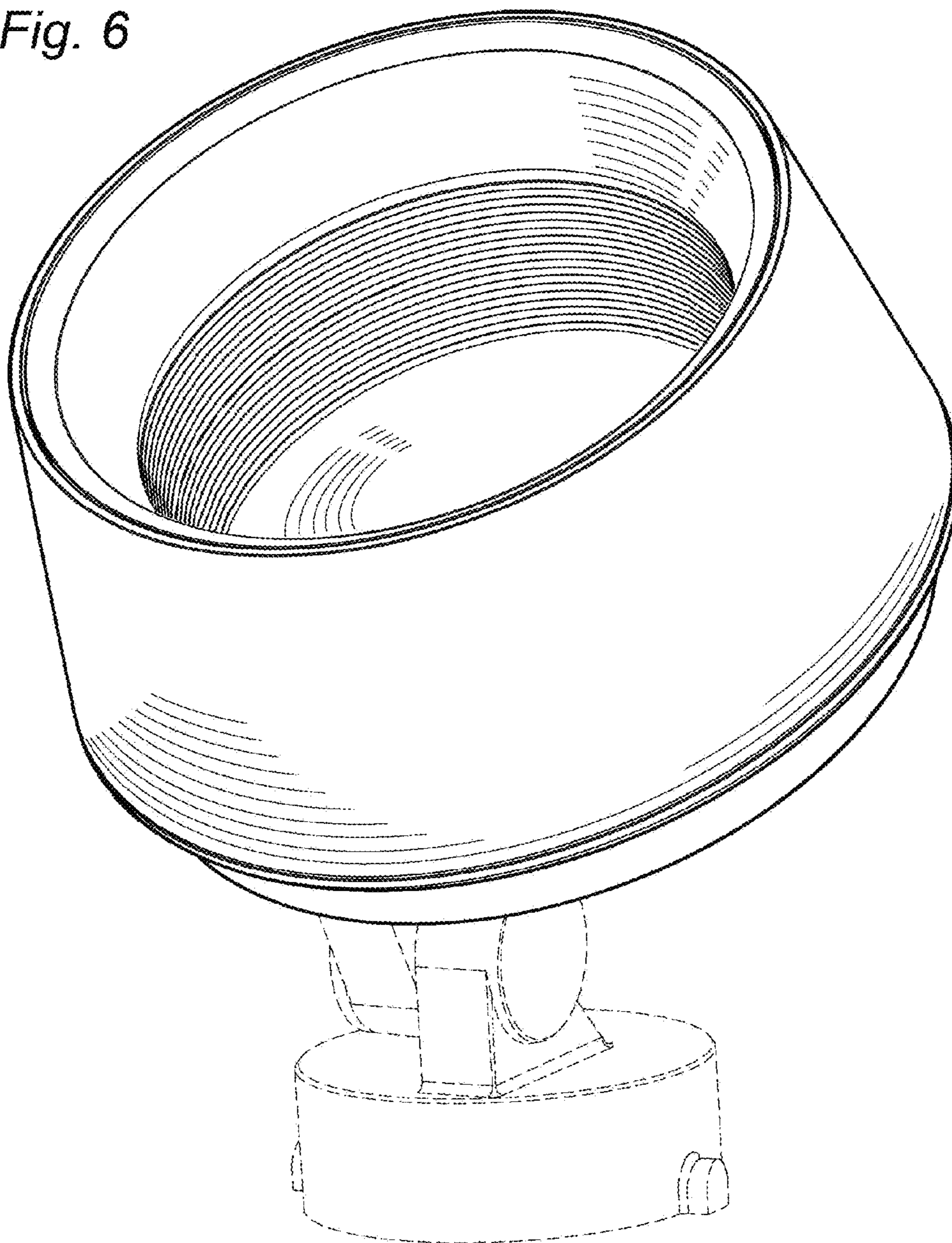


Fig. 7

