



US00D773092S

(12) **United States Design Patent**
Koshiba

(10) **Patent No.:** **US D773,092 S**

(45) **Date of Patent:** **** Nov. 29, 2016**

(54) **LED FLOODLIGHT**

(71) Applicant: **GENTOS CO., LTD.**, Tokyo (JP)

(72) Inventor: **Keita Koshiba**, Tokyo (JP)

(73) Assignee: **GENTOS CO., LTD.**, Tokyo (JP)

(**) Term: **14 Years**

(21) Appl. No.: **29/518,105**

(22) Filed: **Feb. 19, 2015**

(30) **Foreign Application Priority Data**

Dec. 25, 2014 (JP) 2014-029237

(51) **LOC (10) Cl.** **26-03**

(52) **U.S. Cl.**
USPC **D26/63**

(58) **Field of Classification Search**

USPC D26/1, 24, 61, 63, 65, 85, 92
CPC F21V 21/14; F21V 15/01; F21V 14/02;
F21V 21/30; F21V 21/00; F21V 14/00;
F21S 8/00; F21S 8/003; F21S 8/043; F21Y
2105/001

See application file for complete search history.

(56) **References Cited**

U.S. PATENT DOCUMENTS

D572,396 S * 7/2008 Guercio D26/63
D629,550 S * 12/2010 Sandell D26/63

D736,982 S * 8/2015 Yasuji Fletcher D26/63
D744,684 S * 12/2015 Guercio D26/63
D747,526 S * 1/2016 Zhang D26/63
D749,767 S * 2/2016 Jin D26/63
D752,267 S * 3/2016 Wang D26/63

* cited by examiner

Primary Examiner — Brian N Vinson

(74) *Attorney, Agent, or Firm* — Im IP Law PLLC; C.
Andrew Im

(57) **CLAIM**

The ornamental design for a LED floodlight, as shown and described.

DESCRIPTION

FIG. 1 is a front view of a LED floodlight showing my new design;

FIG. 2 is a rear view of a LED floodlight thereof;

FIG. 3 is a left side view of a LED floodlight thereof;

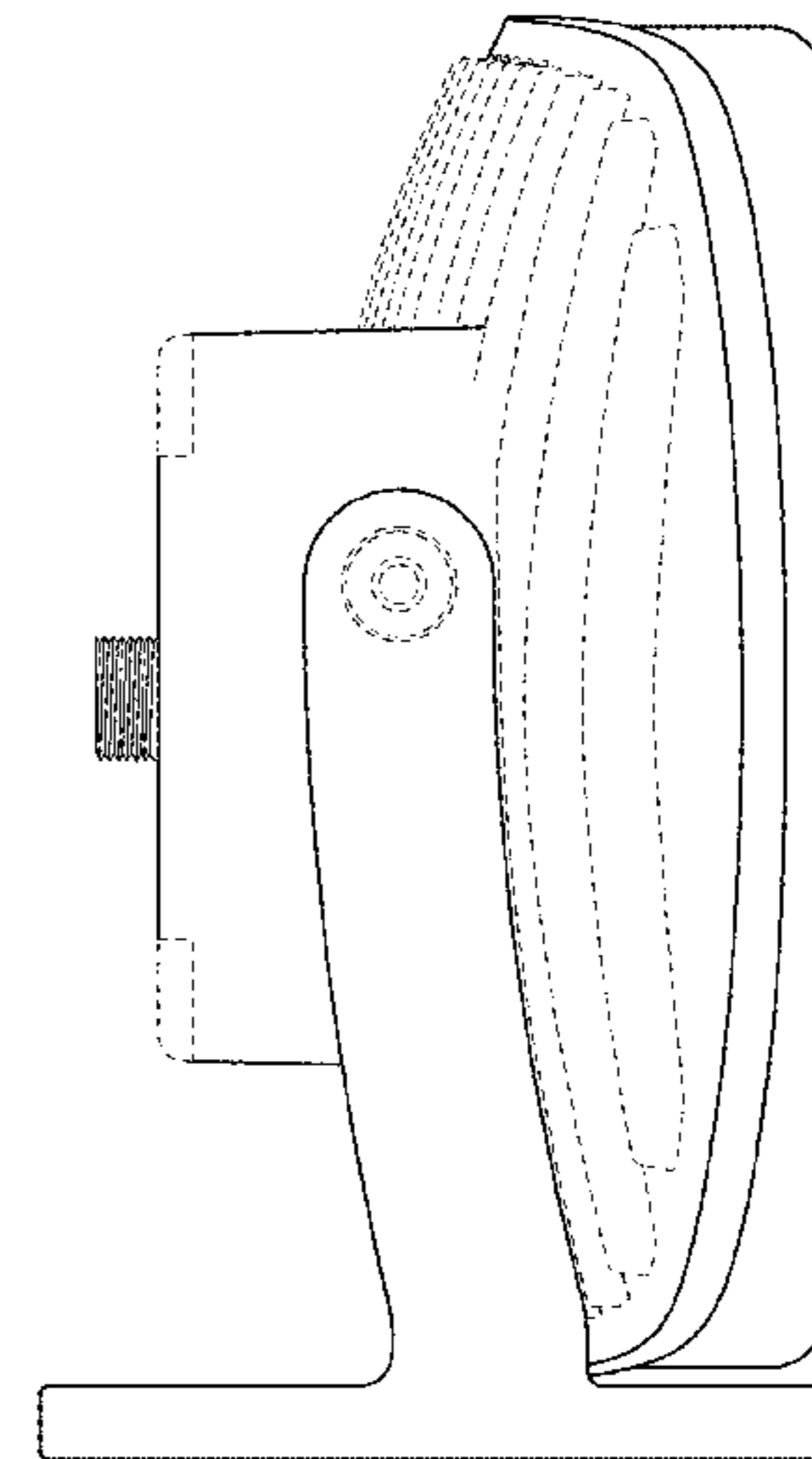
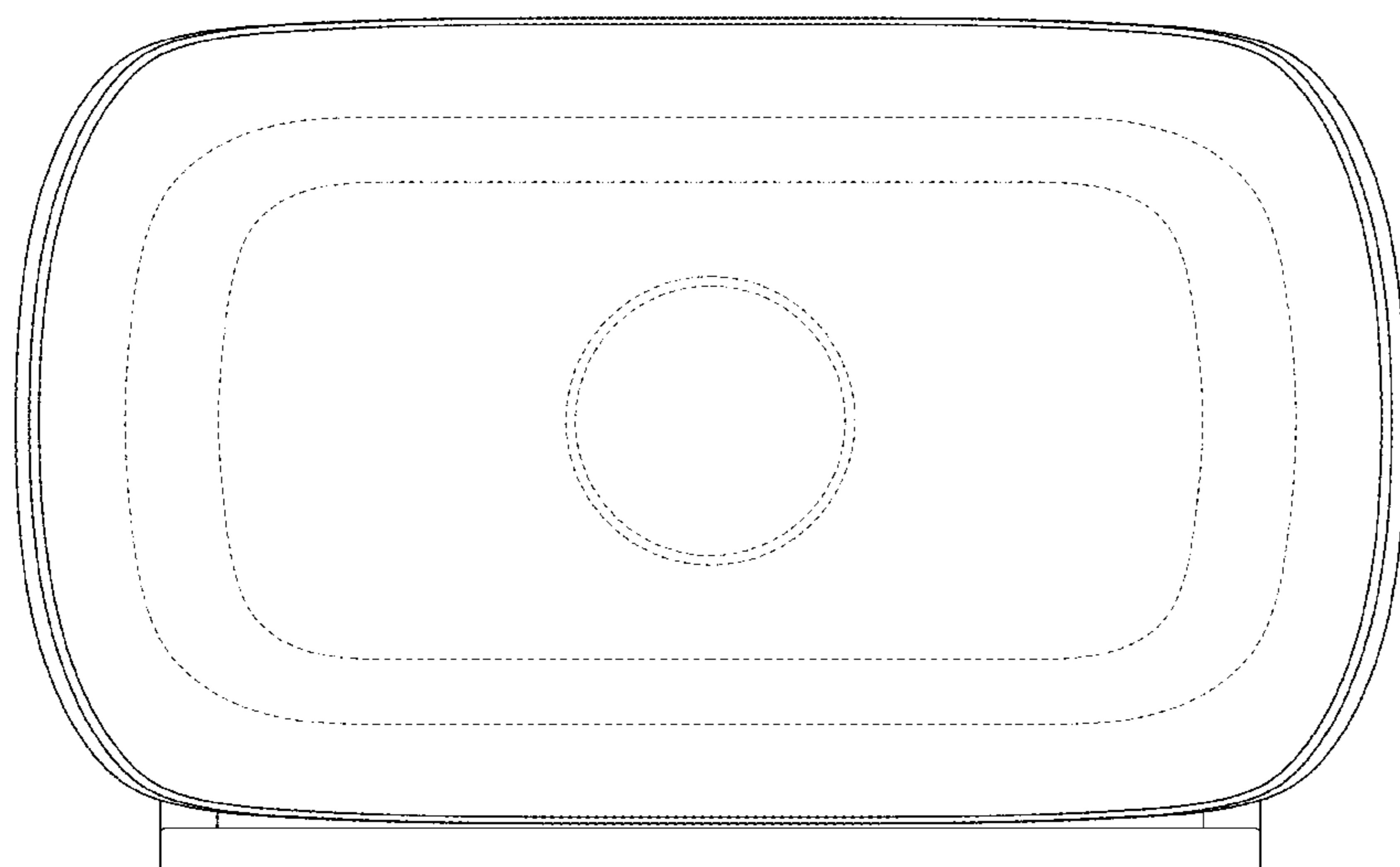
FIG. 4 is a right side view of a LED floodlight thereof;

FIG. 5 is a top view of a LED floodlight thereof; and,

FIG. 6 is a bottom view of a LED floodlight thereof.

The broken lines represent portions of the floodlight which form no part of the claimed design.

1 Claim, 6 Drawing Sheets



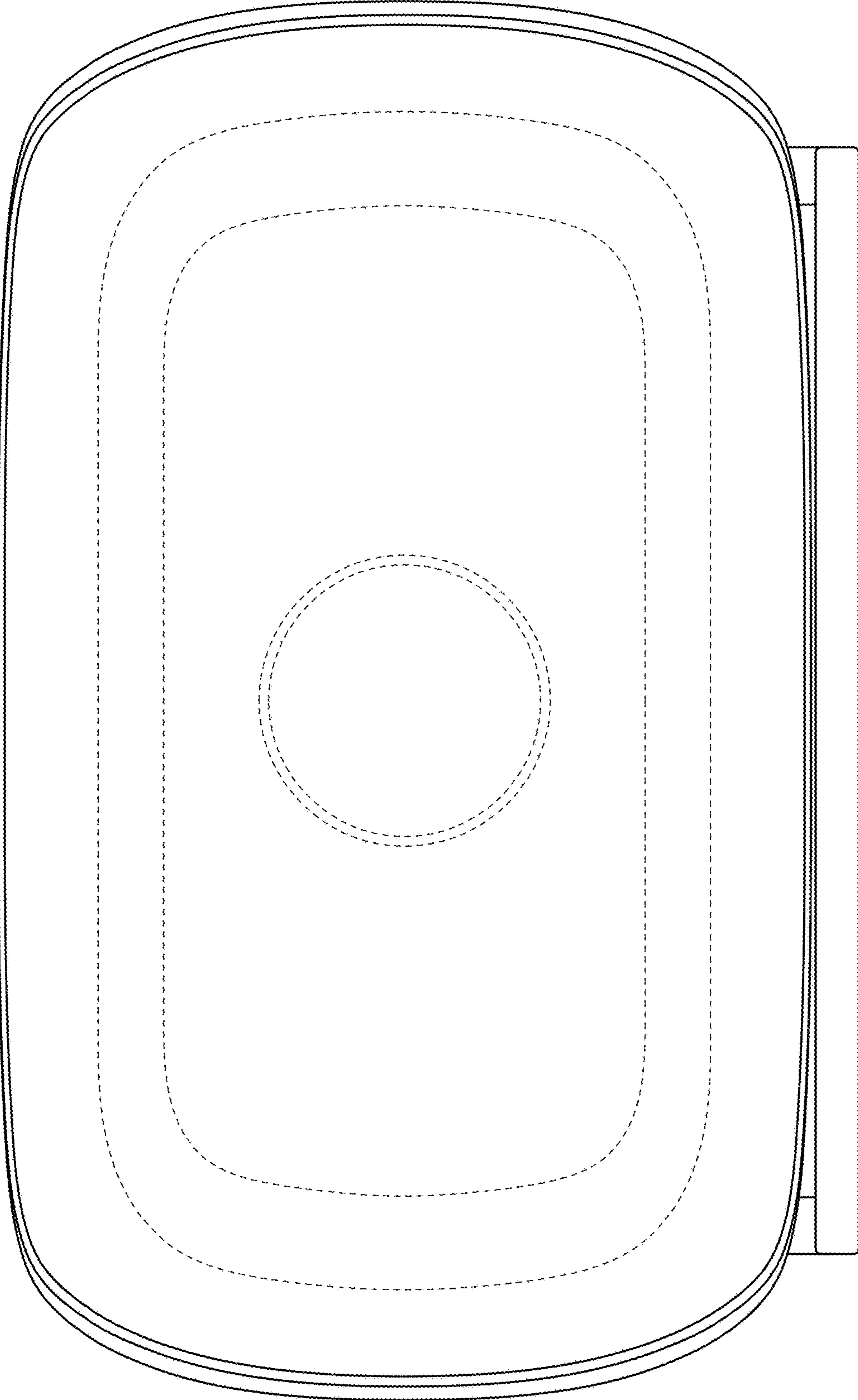


FIG. 1

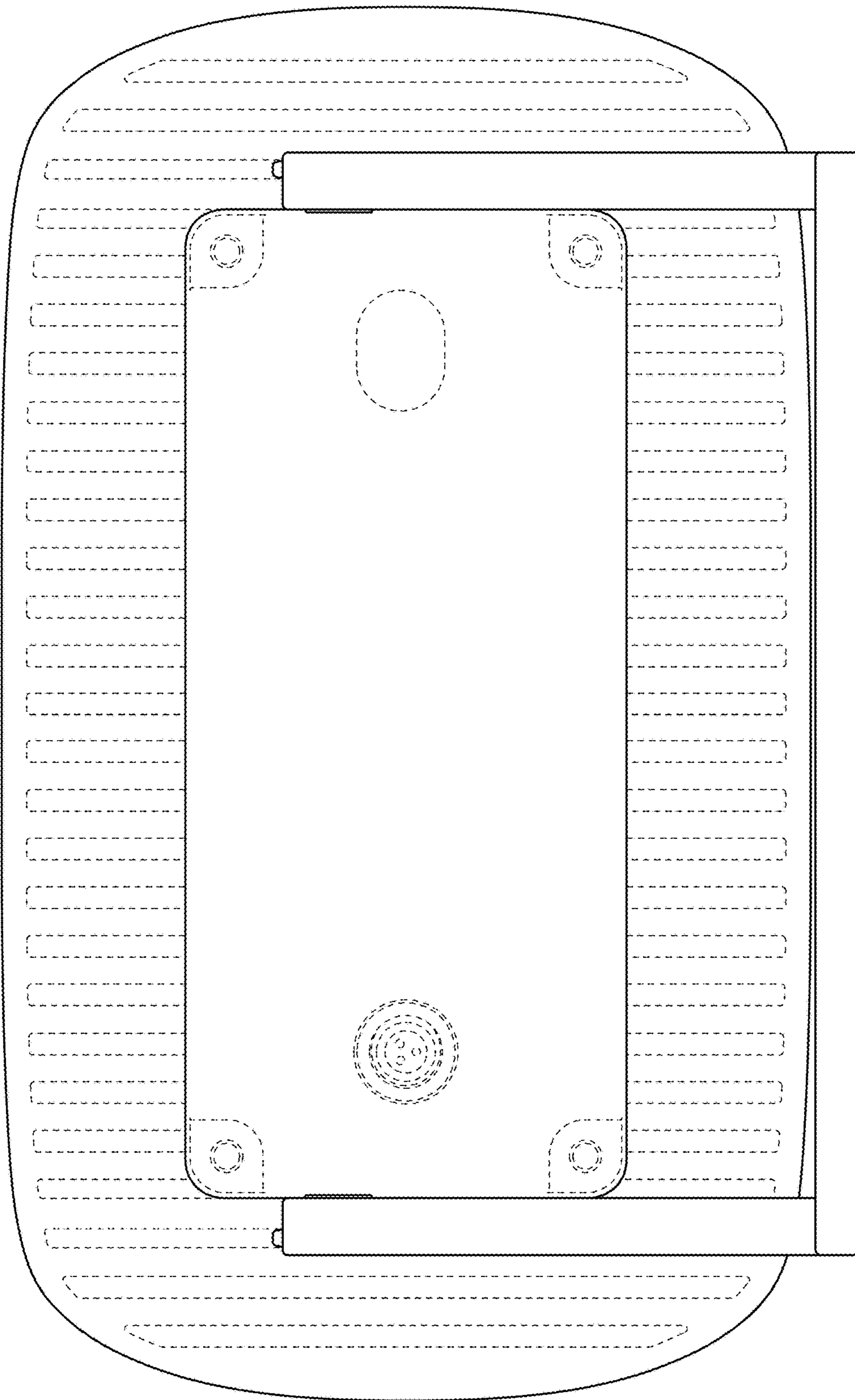


FIG. 2

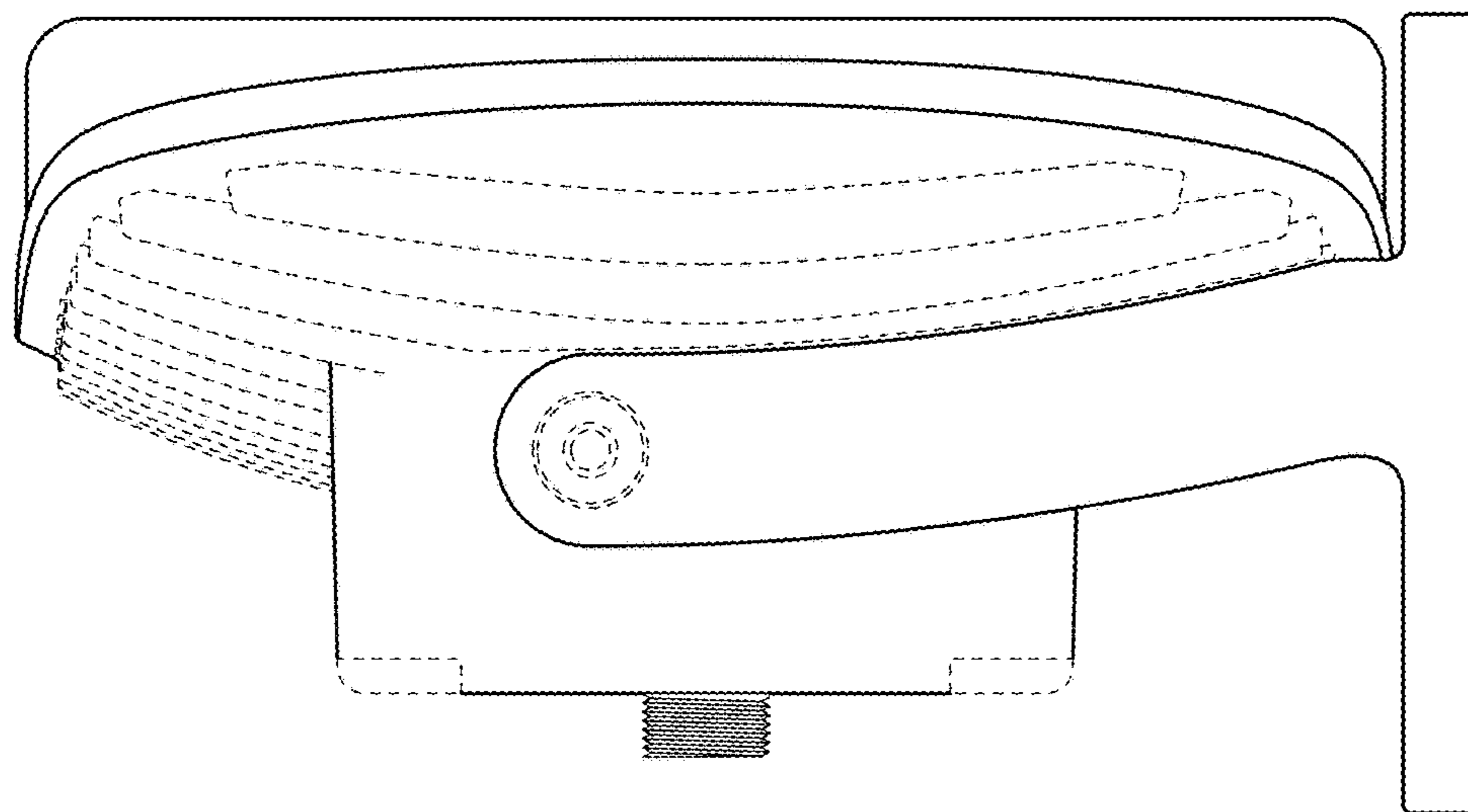


FIG. 3

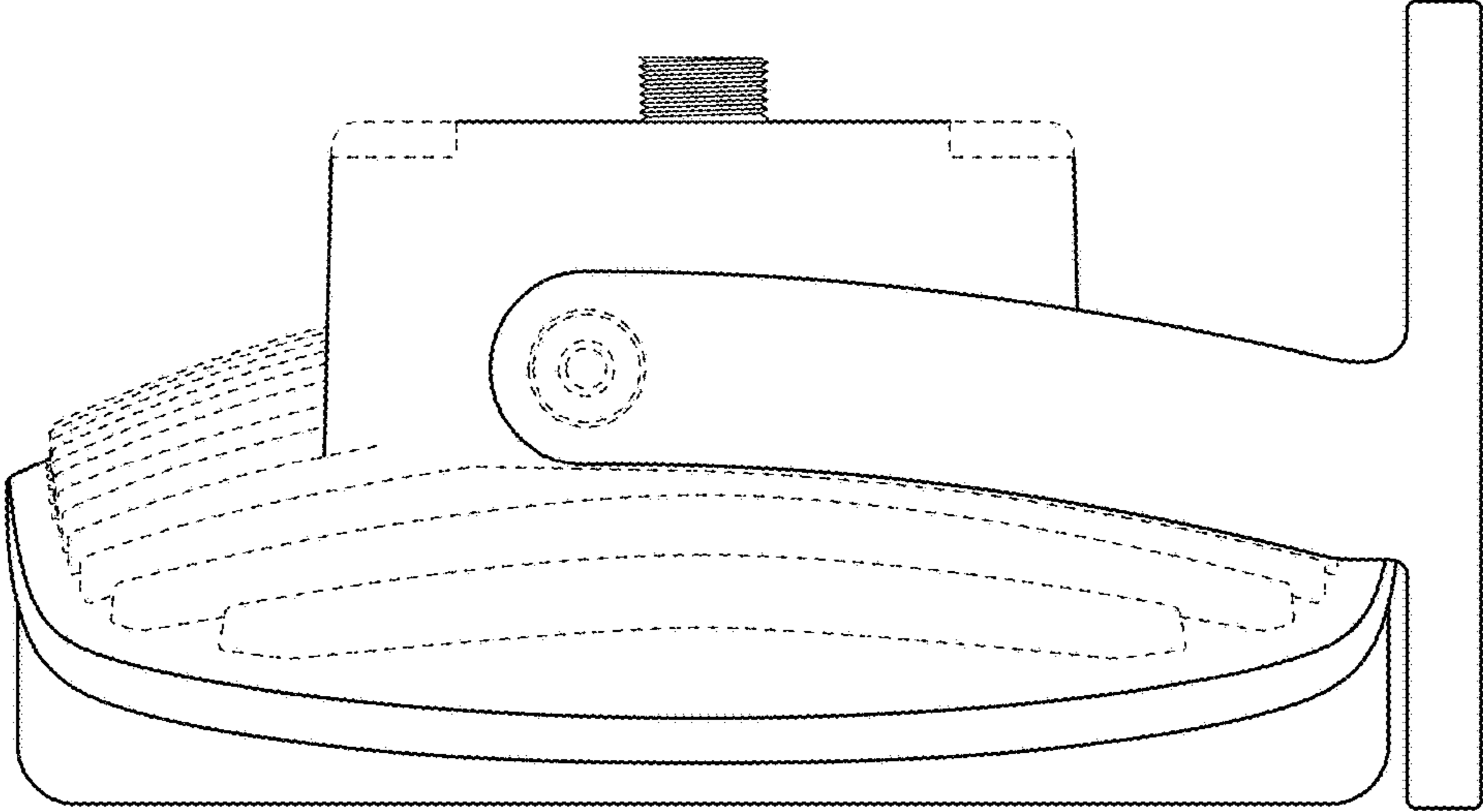


FIG. 4

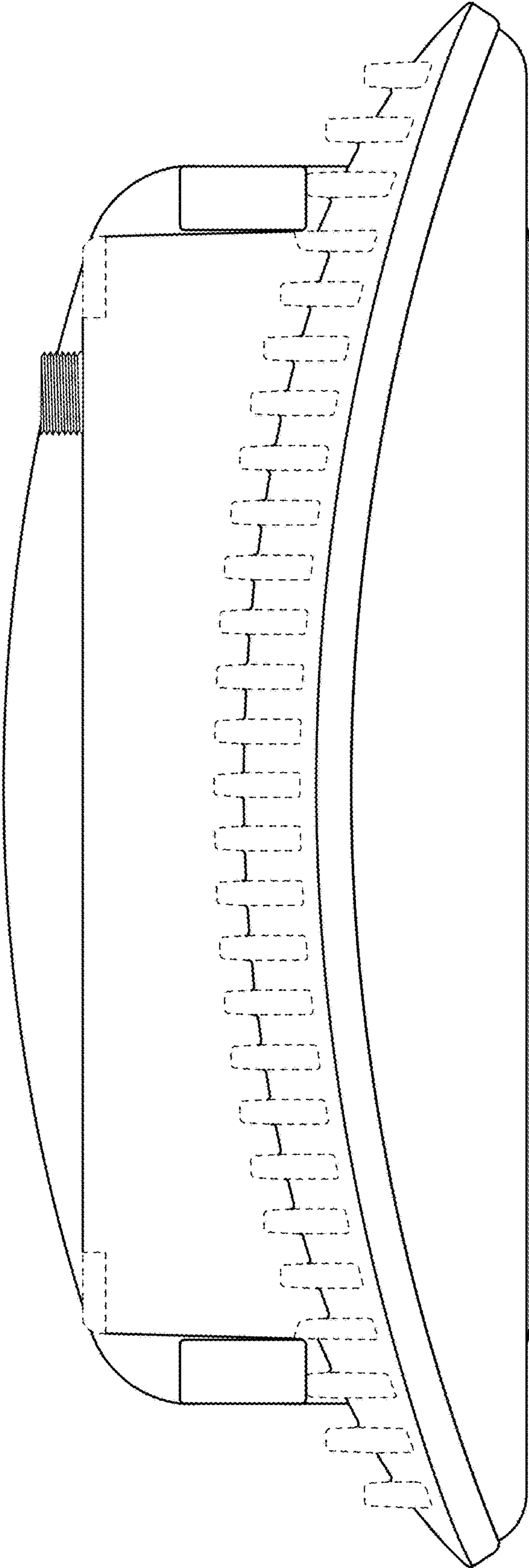


FIG. 5

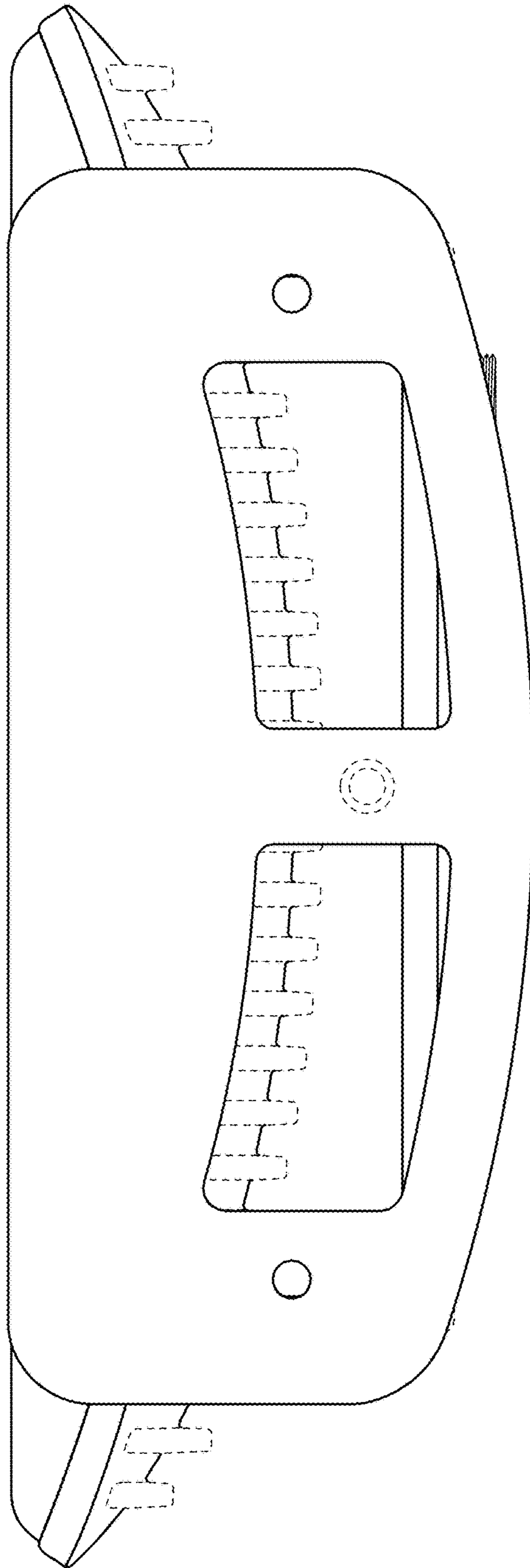


FIG. 6