



US00D773091S

(12) **United States Design Patent**  
**Nouvel**

(10) **Patent No.:** **US D773,091 S**

(45) **Date of Patent:** **\*\* Nov. 29, 2016**

(54) **LIGHT FIXTURE FOR A WALL, FLOOR, OR TABLE LAMP**

(71) Applicant: **Artemide S.p.A.**, Milan (IT)

(72) Inventor: **Jean Nouvel**, Milan (IT)

(73) Assignee: **ARTEMIDE S.P.A.**, Milan (IT)

(\*\*) Term: **14 Years**

(21) Appl. No.: **29/504,580**

(22) Filed: **Oct. 7, 2014**

(30) **Foreign Application Priority Data**

Apr. 7, 2014 (EM) ..... 002441618-0028

Apr. 7, 2014 (EM) ..... 002441618-0029

Apr. 7, 2014 (EM) ..... 002441618-0030

(51) **LOC (10) Cl.** ..... **26-03**

(52) **U.S. Cl.**  
USPC ..... **D26/63**

(58) **Field of Classification Search**

USPC ..... D26/1, 24, 61, 63, 65, 85, 92

CPC ..... F21V 21/14; F21V 15/01; F21V 14/02;

F21V 21/30; F21V 21/00; F21V 14/00;

F21S 8/00; F21S 8/003; F21S 8/043; F21Y

2105/001

See application file for complete search history.

(56) **References Cited**

**U.S. PATENT DOCUMENTS**

D231,559 S \* 4/1974 Darling et al. .... D26/63

D234,710 S \* 4/1975 Beeren ..... D26/63

D253,853 S \* 1/1980 Gerber ..... D26/63

D491,684 S \* 6/2004 McInnis ..... D26/63

D664,279 S \* 7/2012 Meise ..... D26/72

D703,359 S \* 4/2014 Thomas ..... D26/63

D751,746 S \* 3/2016 Hoang ..... D26/63

D753,328 S \* 4/2016 Mathews ..... D26/63

\* cited by examiner

*Primary Examiner* — Brian N Vinson

(74) *Attorney, Agent, or Firm* — FisherBroyles, LLP;  
Robert Kinberg

(57) **CLAIM**

The ornamental design for a light fixture for a wall, floor, or table lamp, as shown and described.

**DESCRIPTION**

FIG. 1 is a perspective view of a light fixture for a wall, floor or table lamp according to a first embodiment of the invention;

FIG. 2 is a perspective view thereof, in another position;

FIG. 3 is a side view thereof, the opposite side view being a mirror image;

FIG. 4 is a front view thereof;

FIG. 5 is a rear view thereof;

FIG. 6 is a bottom view thereof; and

FIG. 7 is a top view thereof.

FIG. 8 is a perspective view of a light fixture for a wall, floor or table lamp, according to a second embodiment of the invention;

FIG. 9 is a perspective view thereof, in another position;

FIG. 10 is a front view thereof;

FIG. 11 is a rear view thereof;

FIG. 12 is a side view thereof, the opposite side view being a mirror image;

FIG. 13 is a top view thereof; and

FIG. 14 is a bottom view thereof.

FIG. 15 is a perspective view of a light fixture for a wall, floor or table lamp, according to a third embodiment of the invention;

FIG. 16 is a perspective view thereof, in another position;

FIG. 17 is a front view thereof;

FIG. 18 is a rear view thereof;

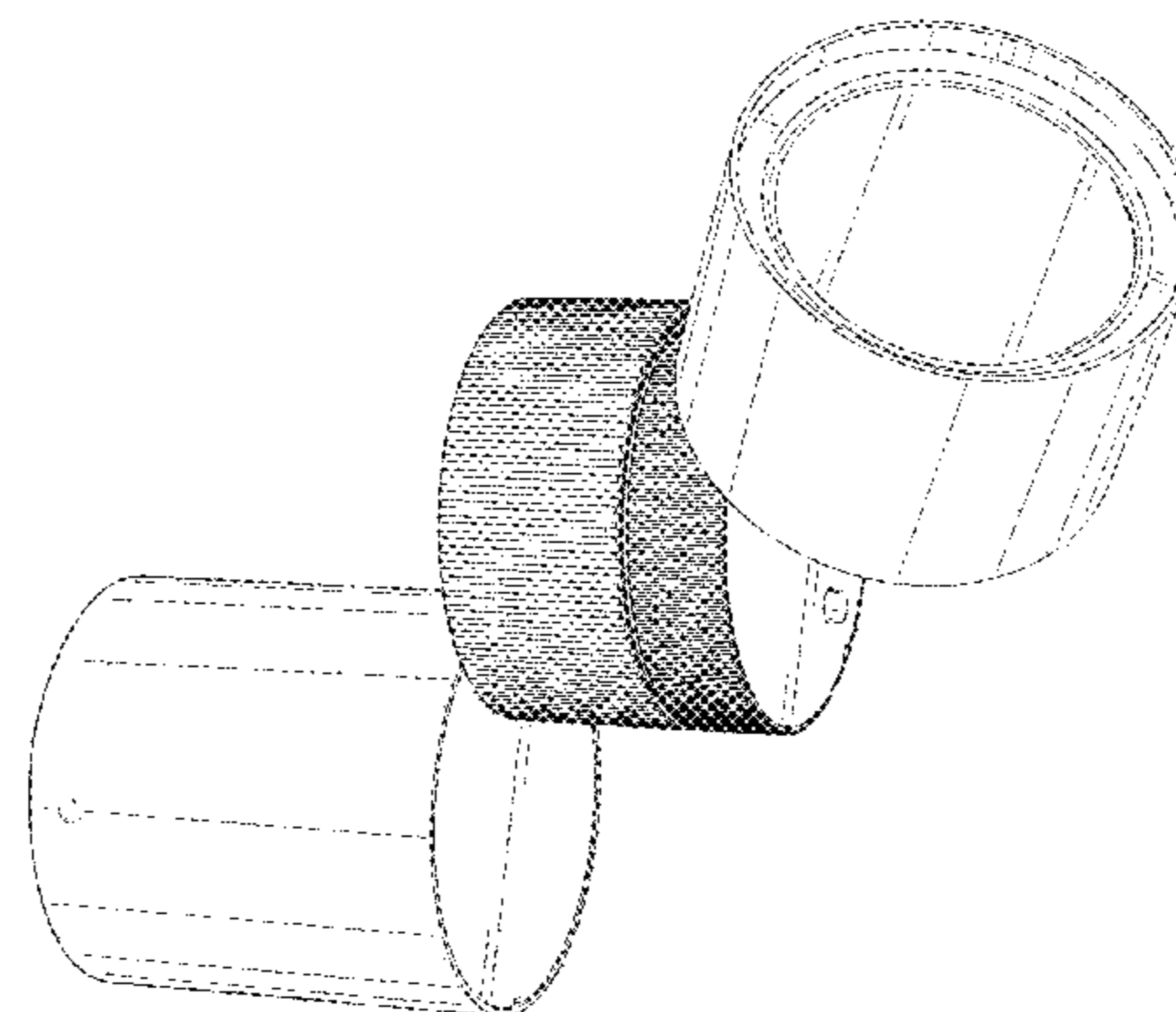
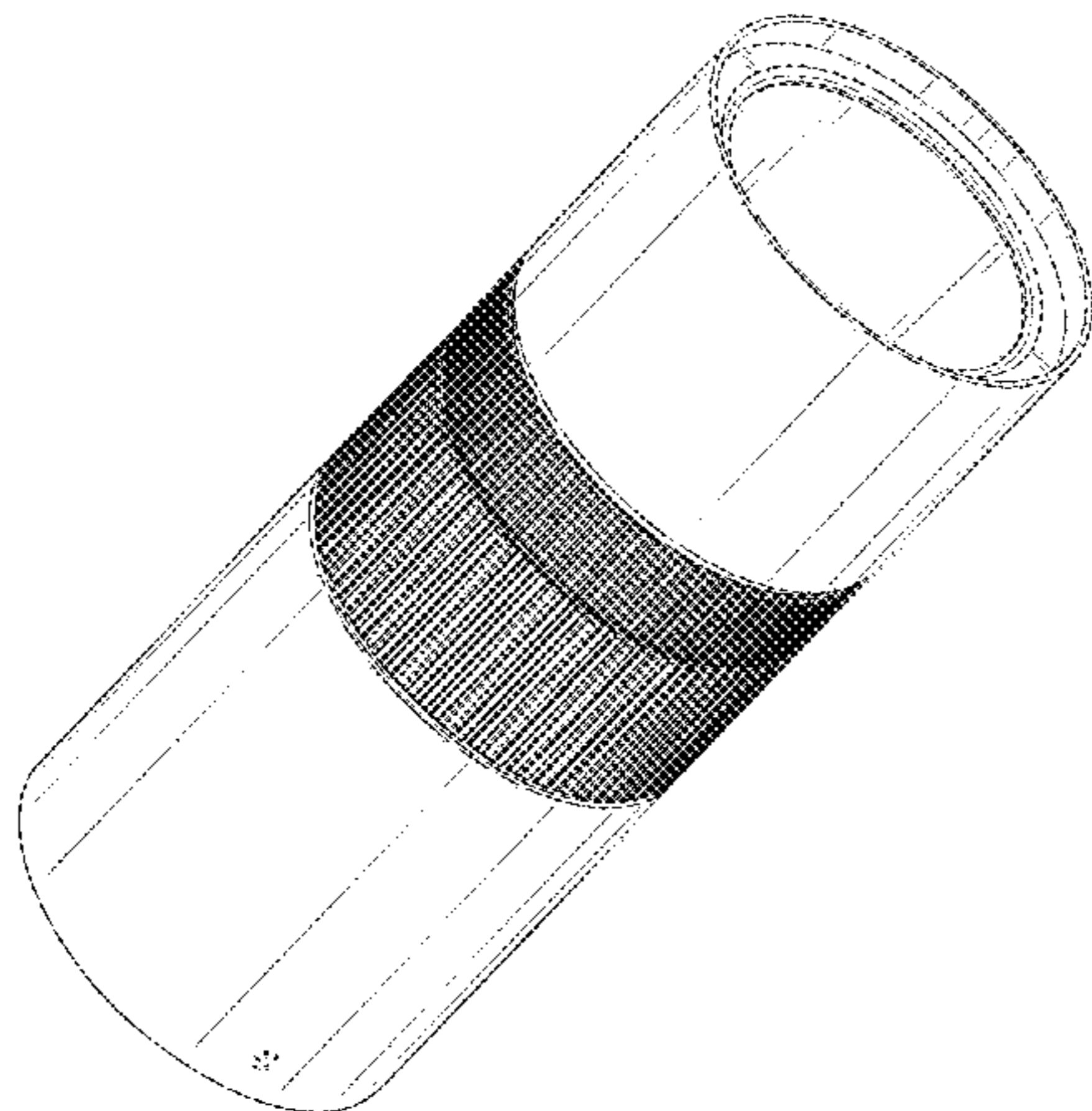
FIG. 19 is a side view thereof, the opposite side view being a mirror image;

FIG. 20 is a top view thereof; and,

FIG. 21 is a bottom view thereof.

The broken lines shown on the drawings depict portions of the light fixture that form no part of the claimed design.

**1 Claim, 21 Drawing Sheets**



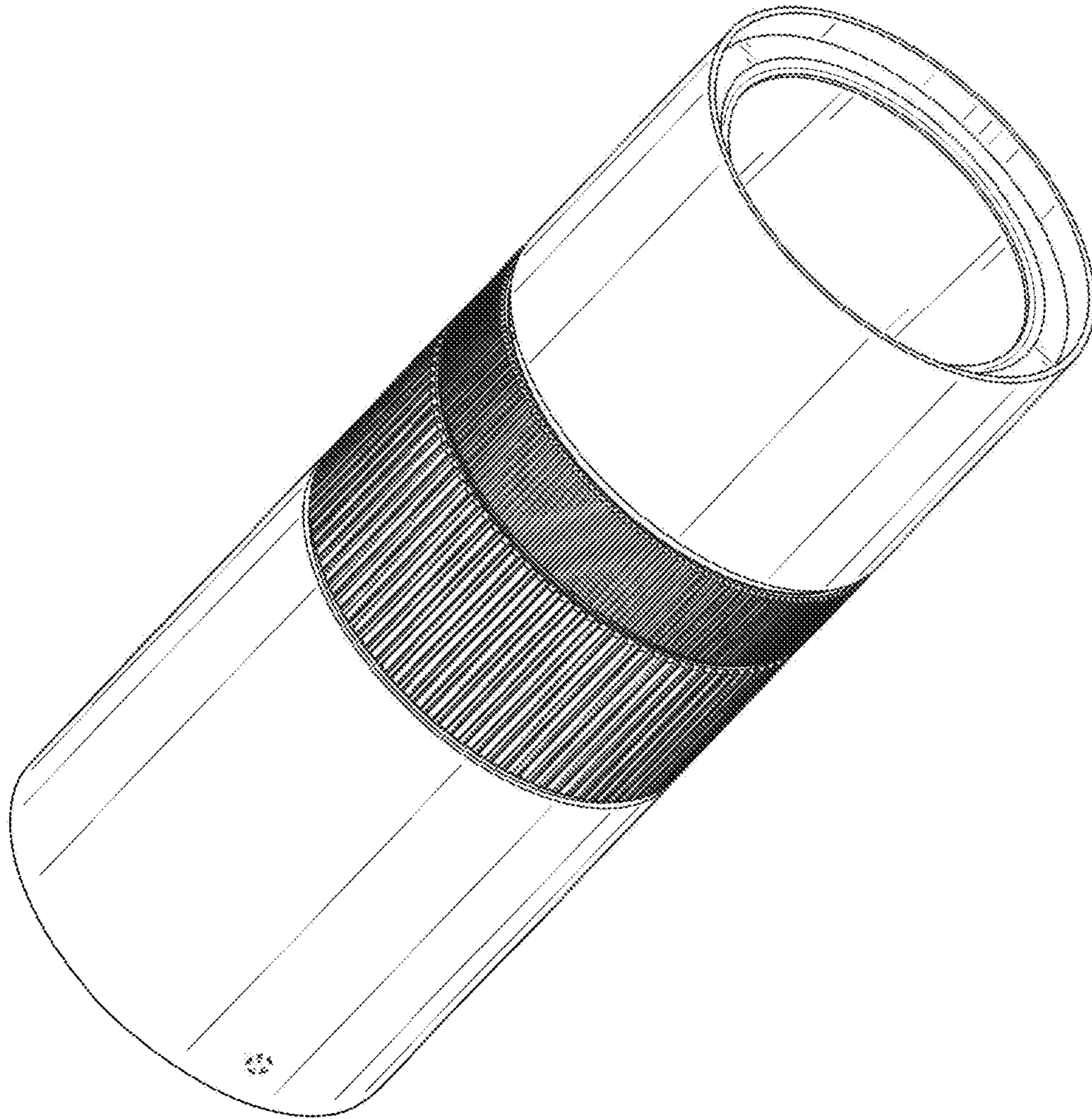


FIG. 1

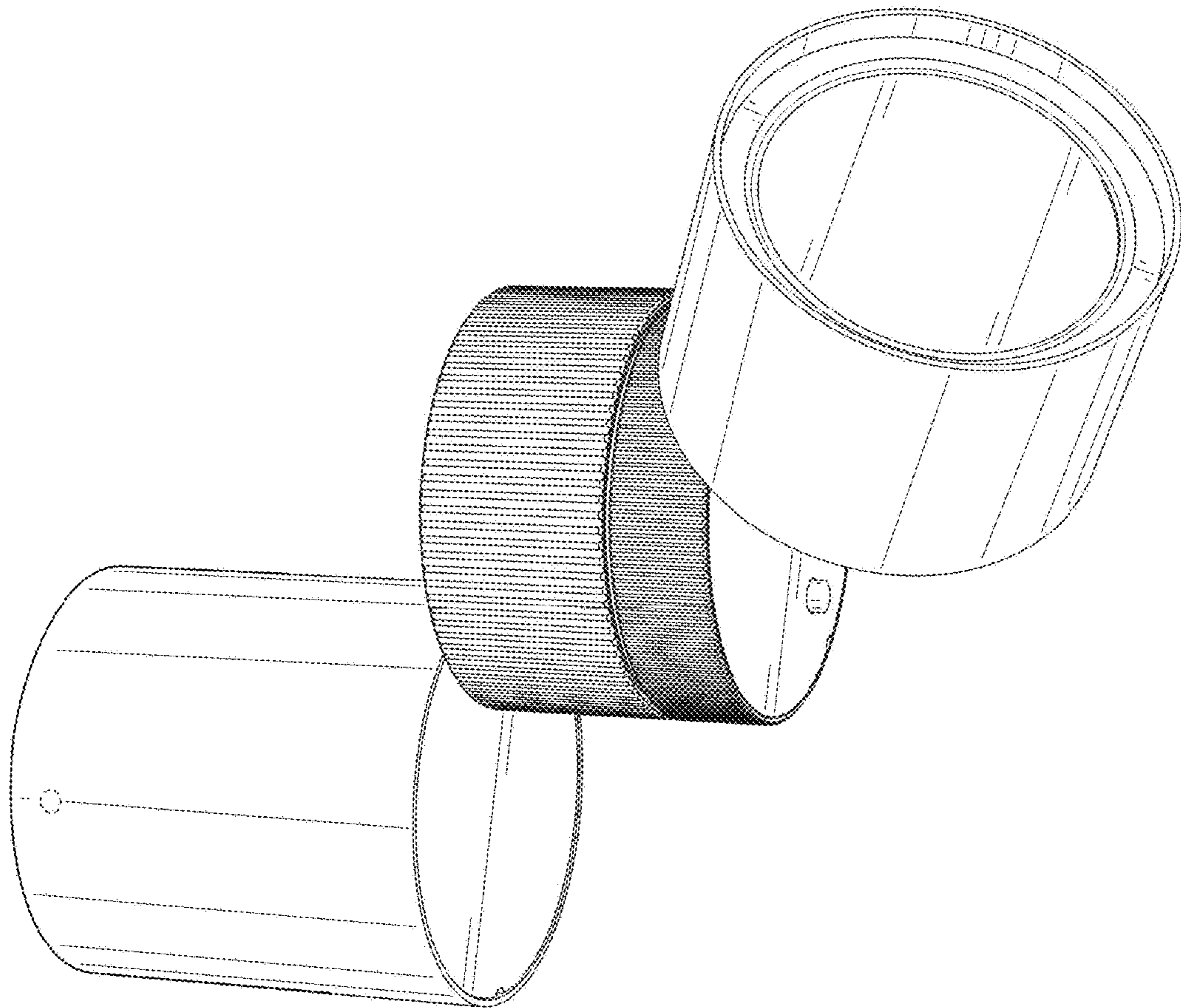


FIG. 2

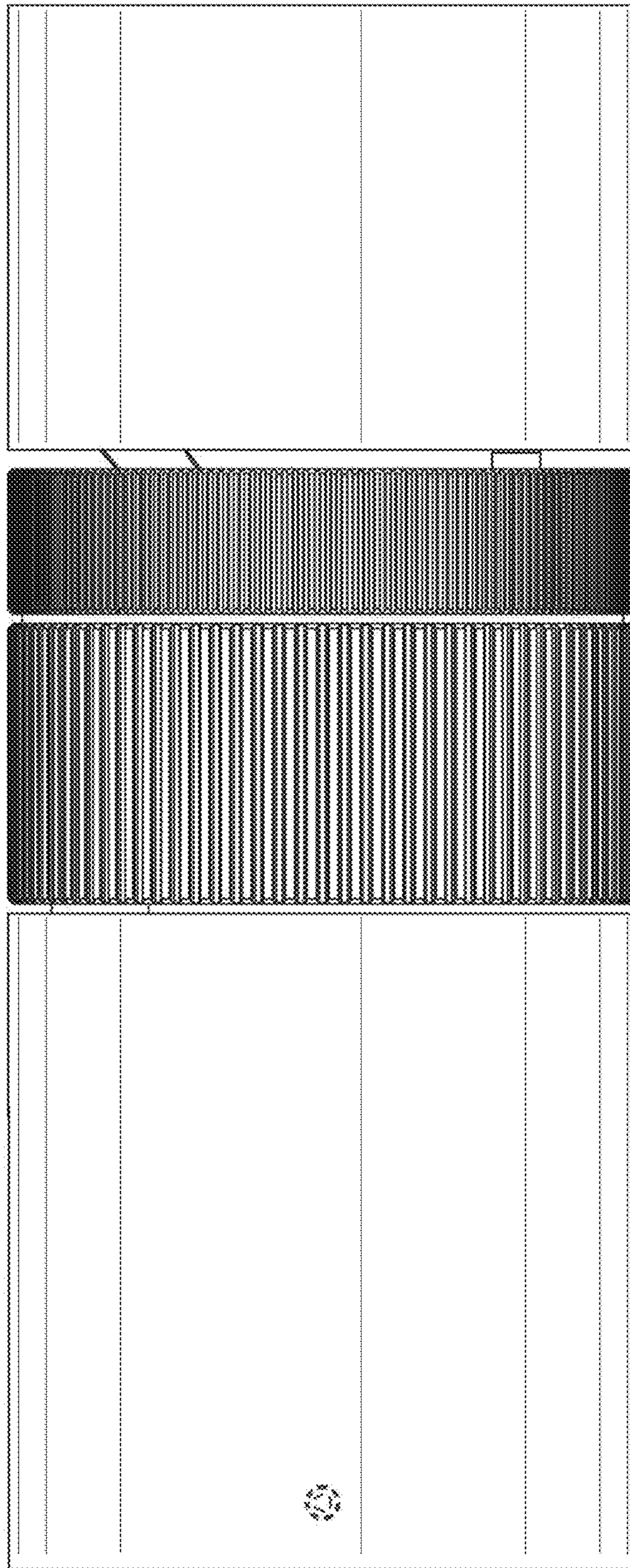


FIG. 3

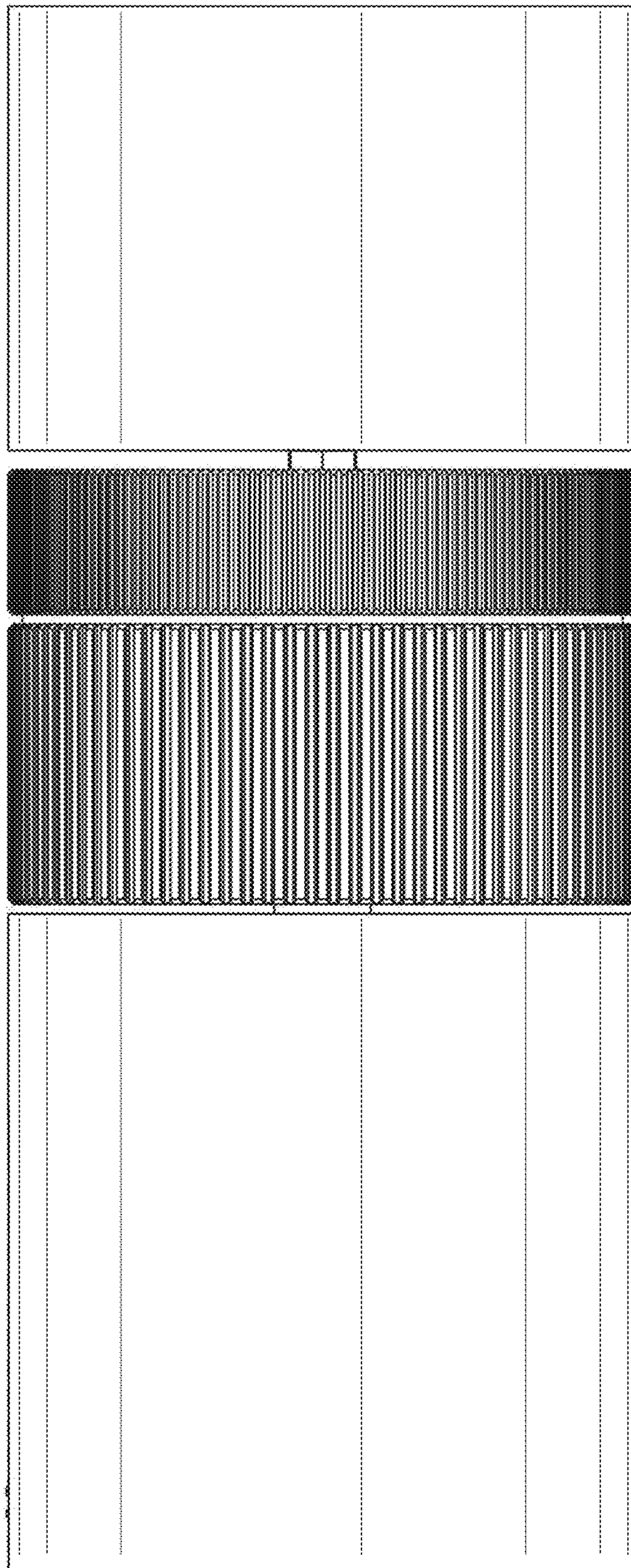


FIG. 4

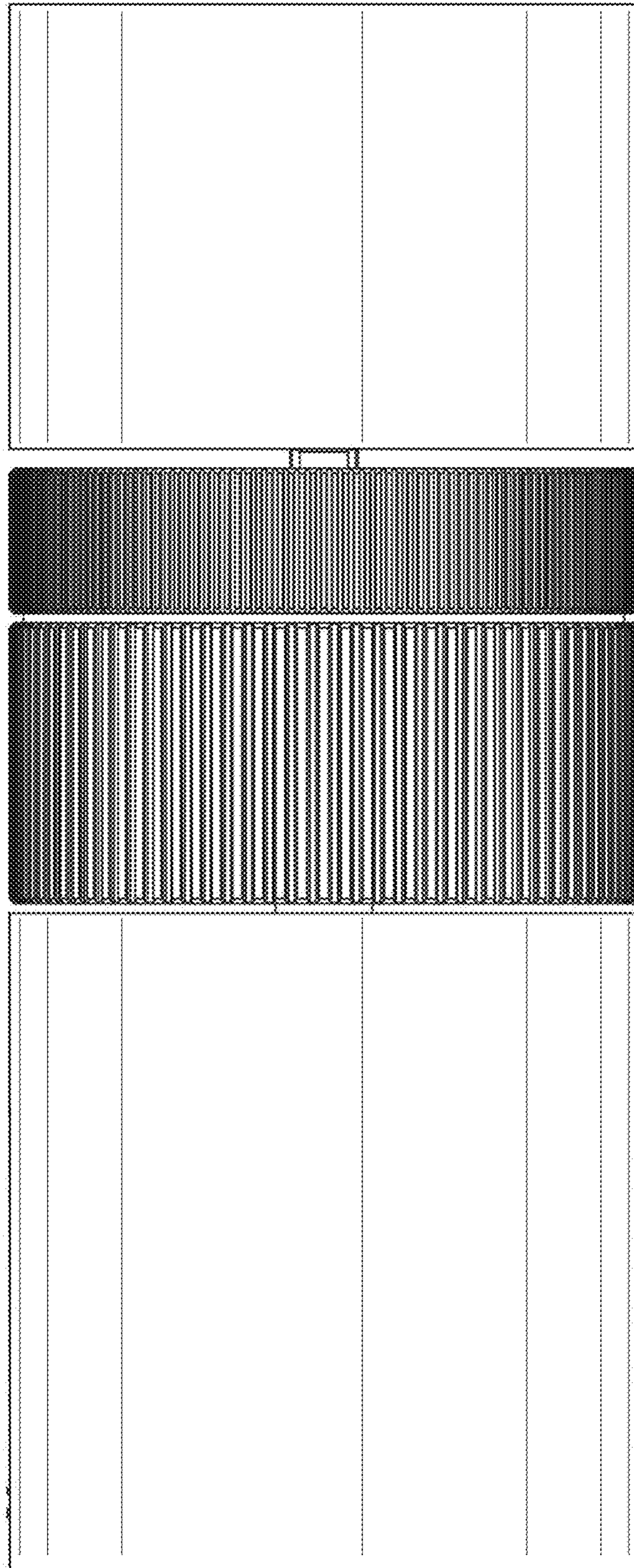


FIG. 5

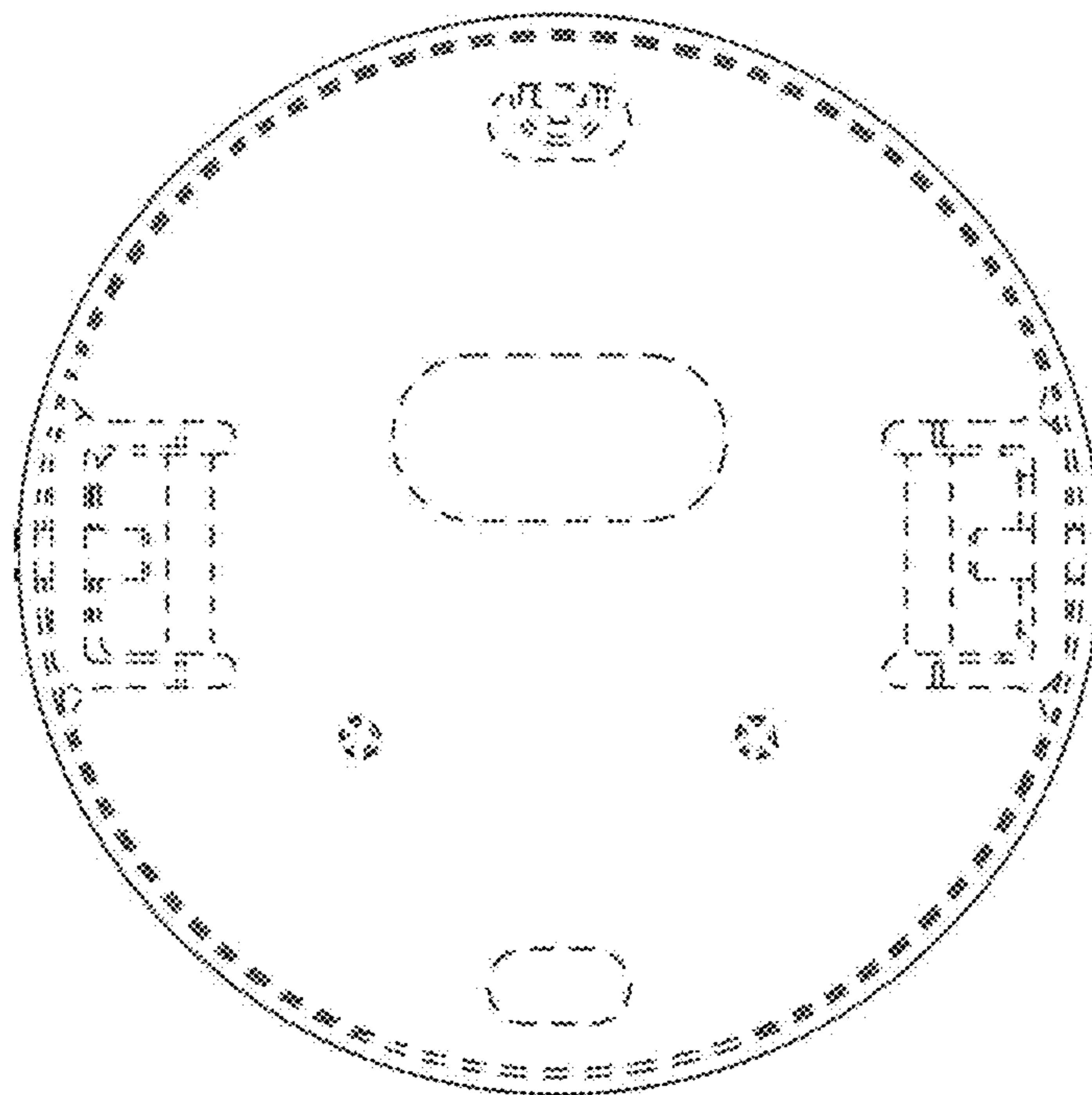


FIG. 6

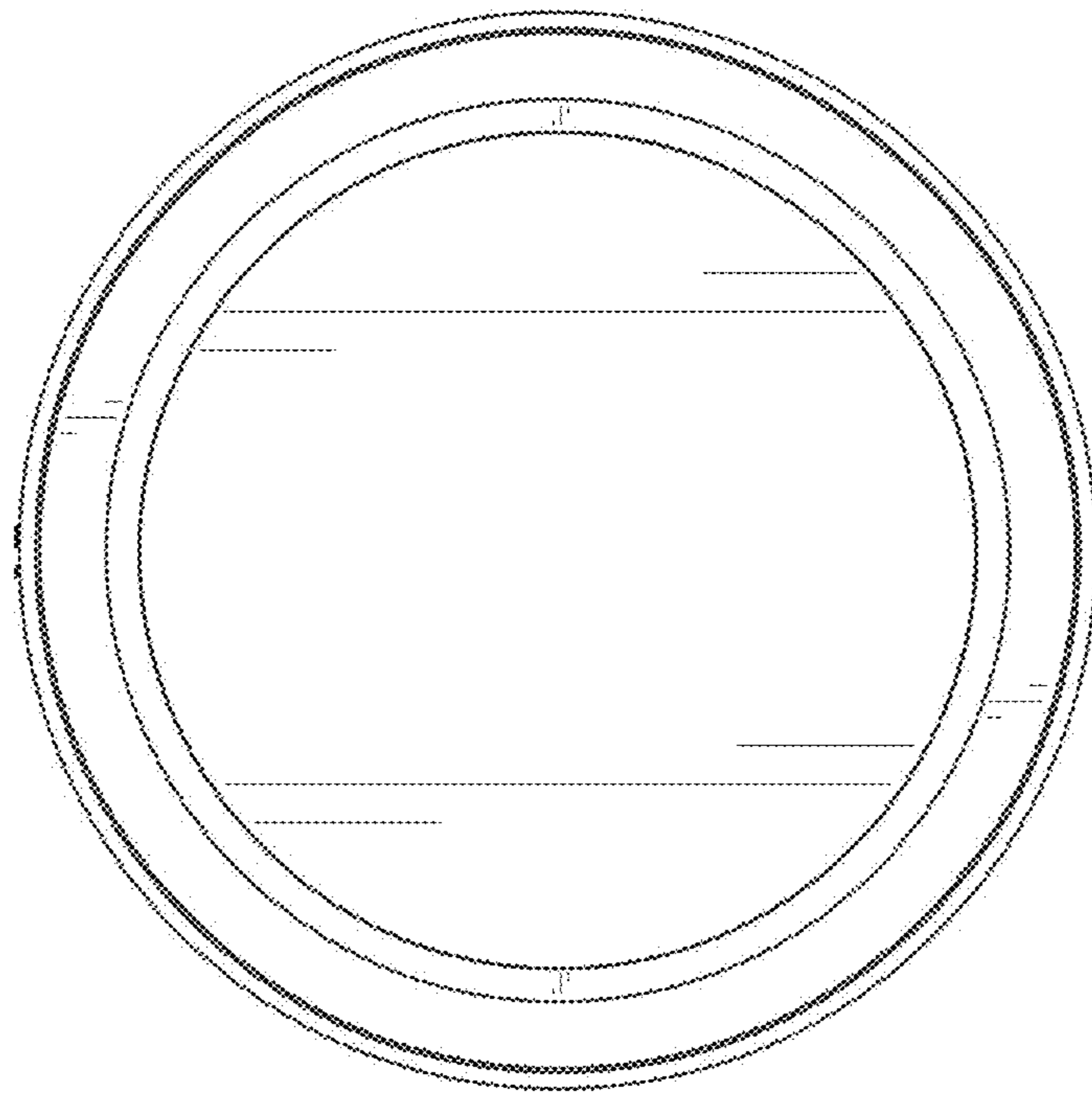


FIG. 7



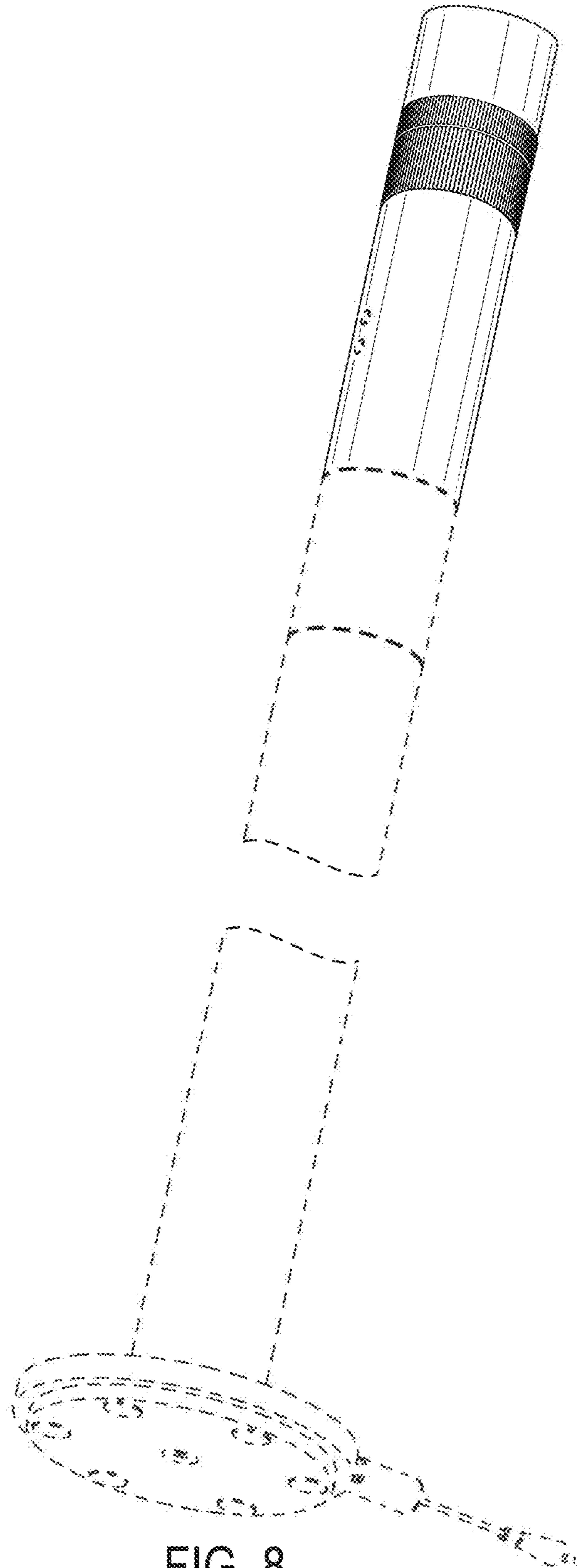


FIG. 8

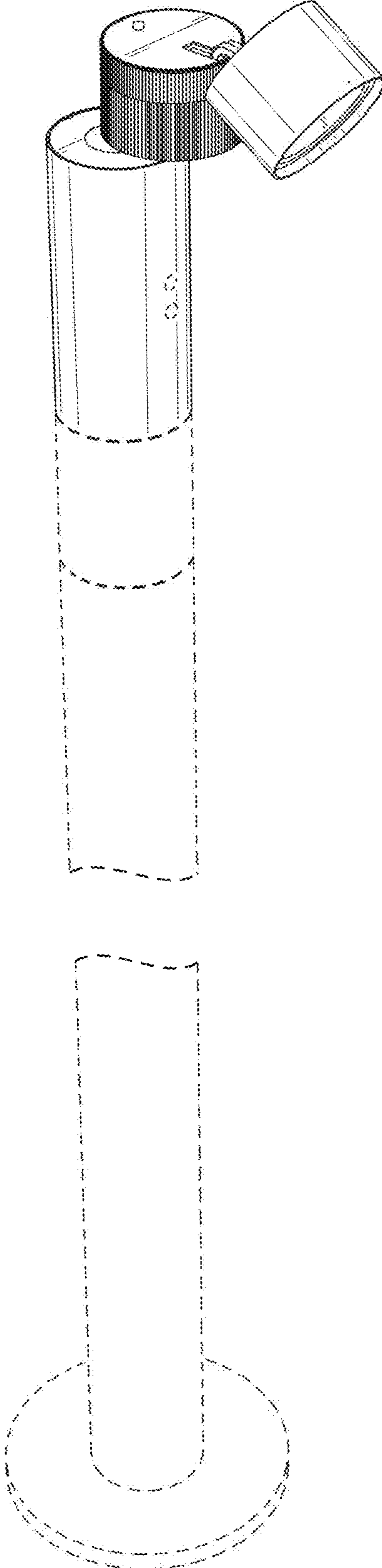


FIG. 9

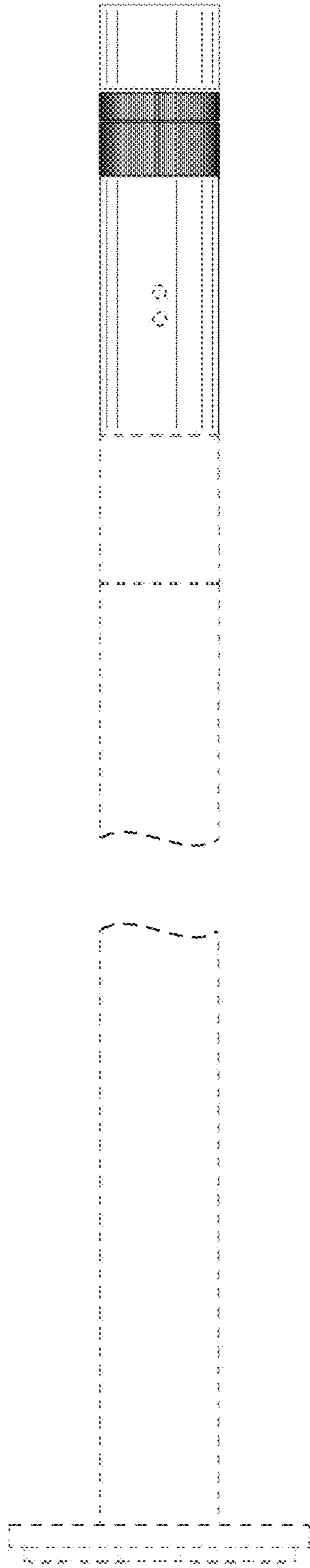


FIG. 10

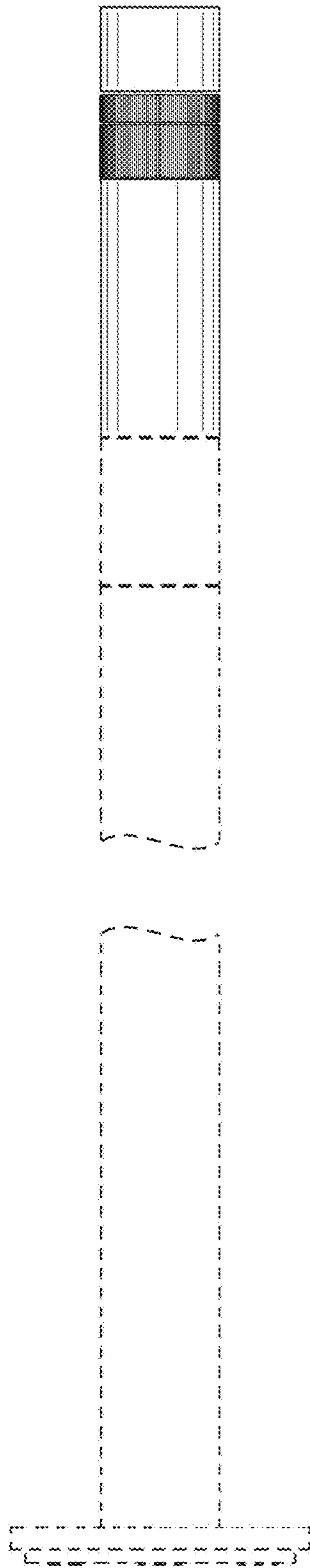


FIG. 11

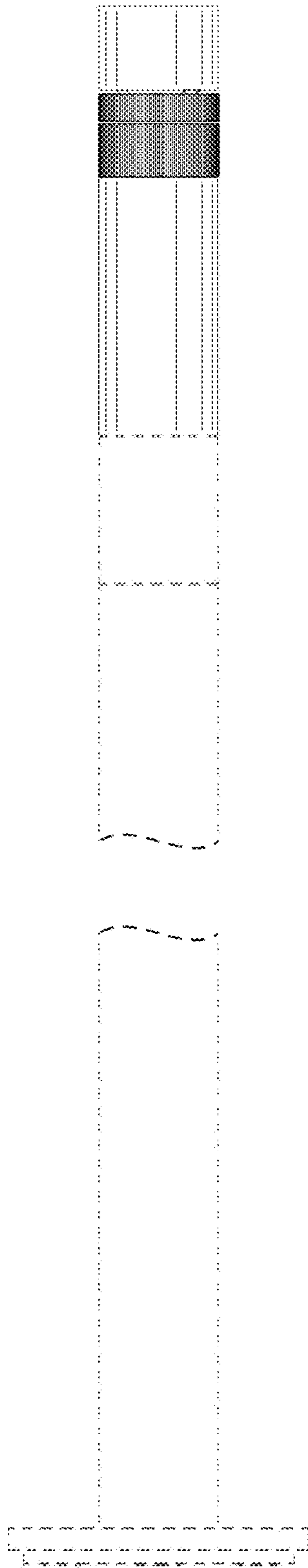


FIG. 12

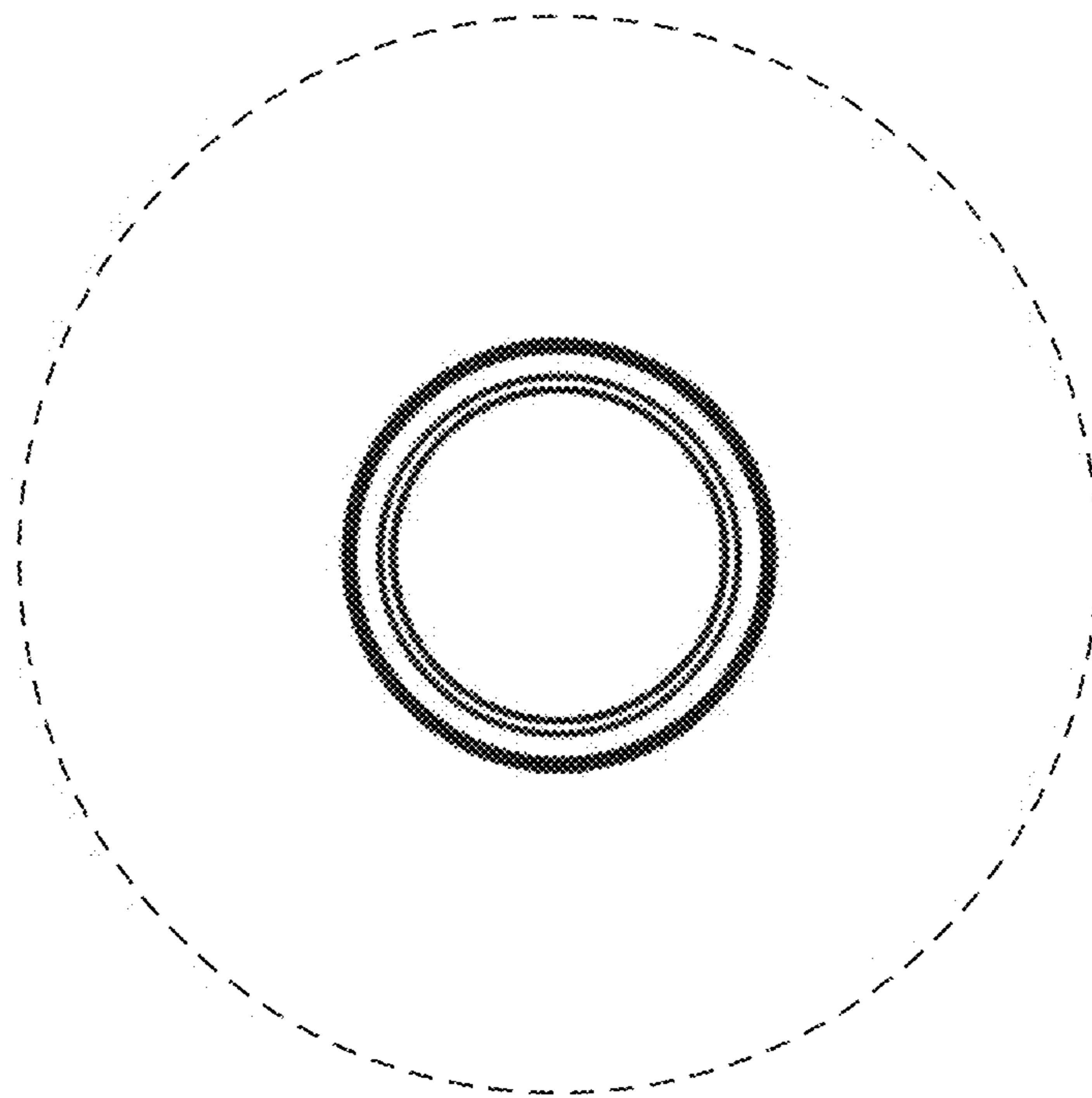


FIG. 13

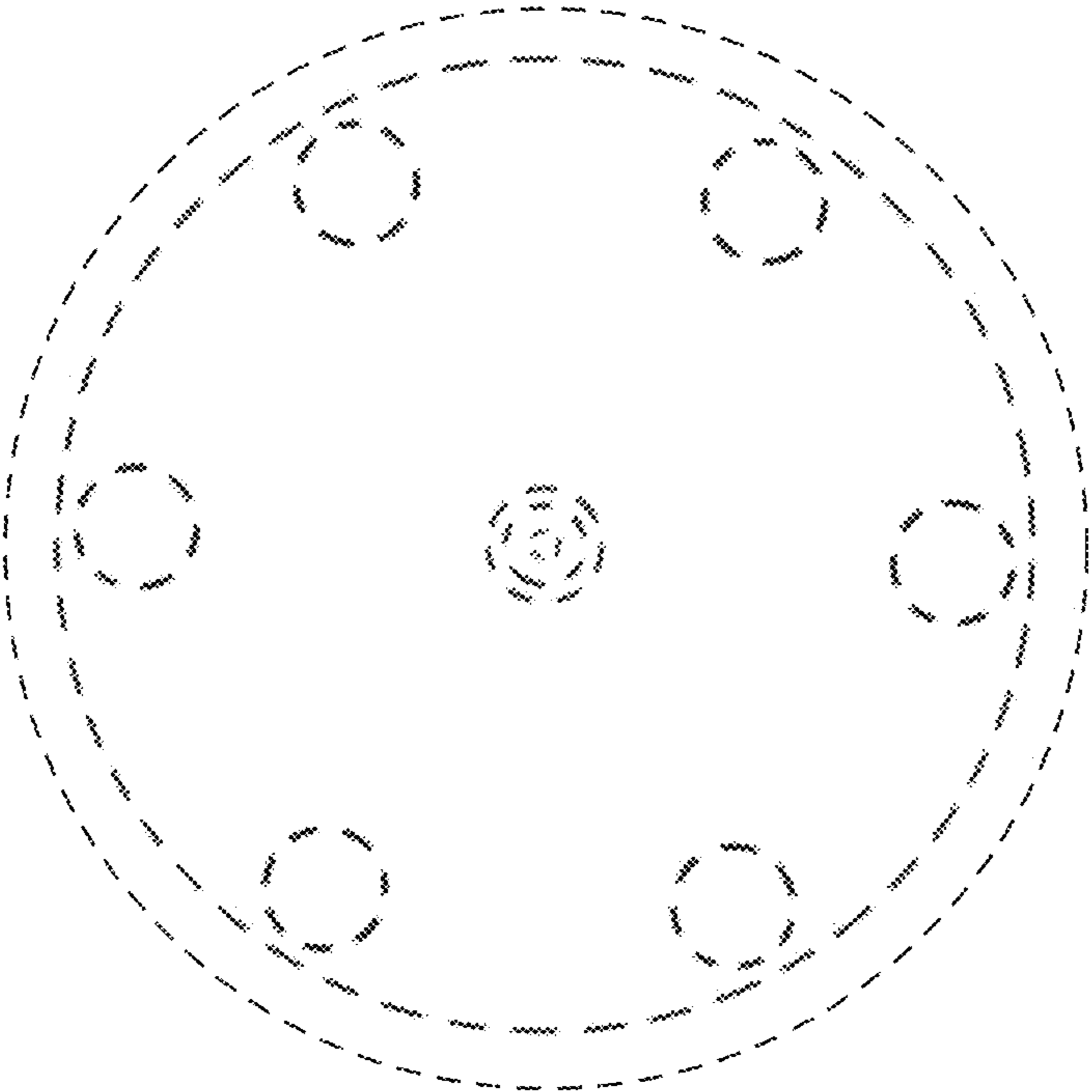


FIG. 14

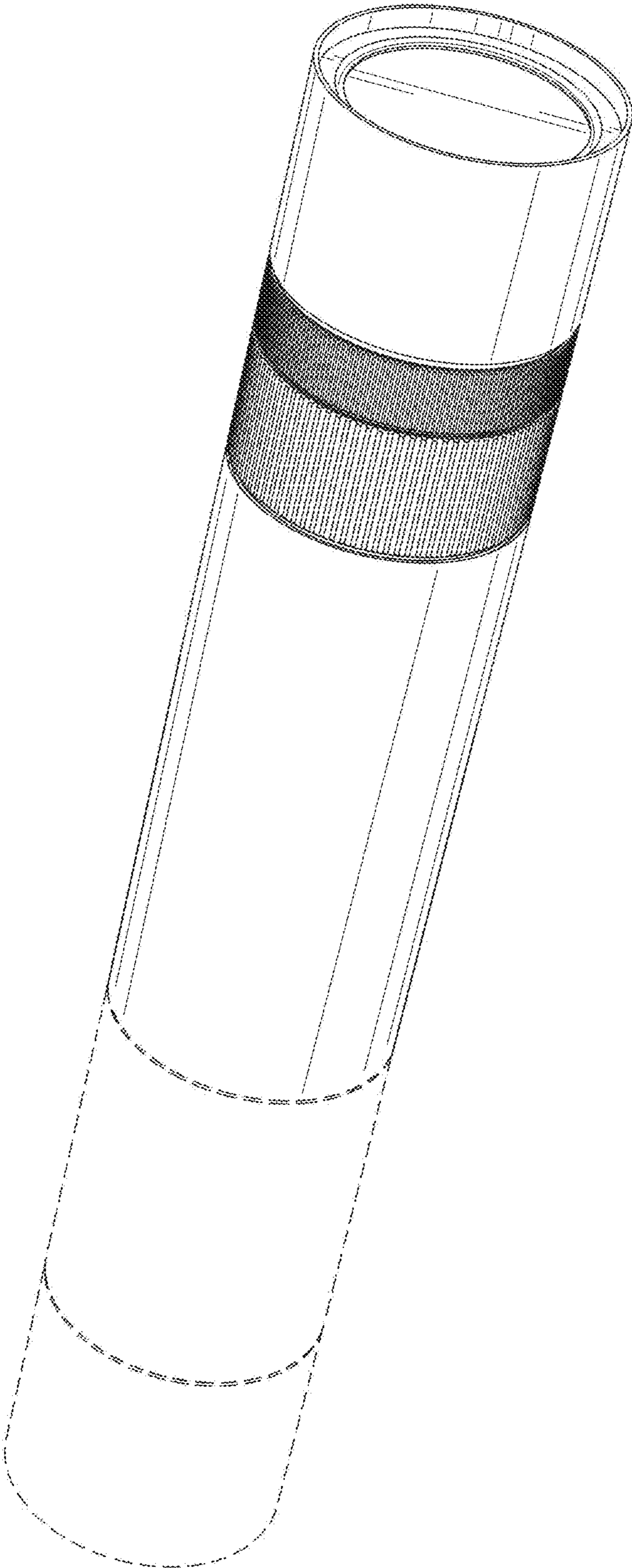


FIG. 15



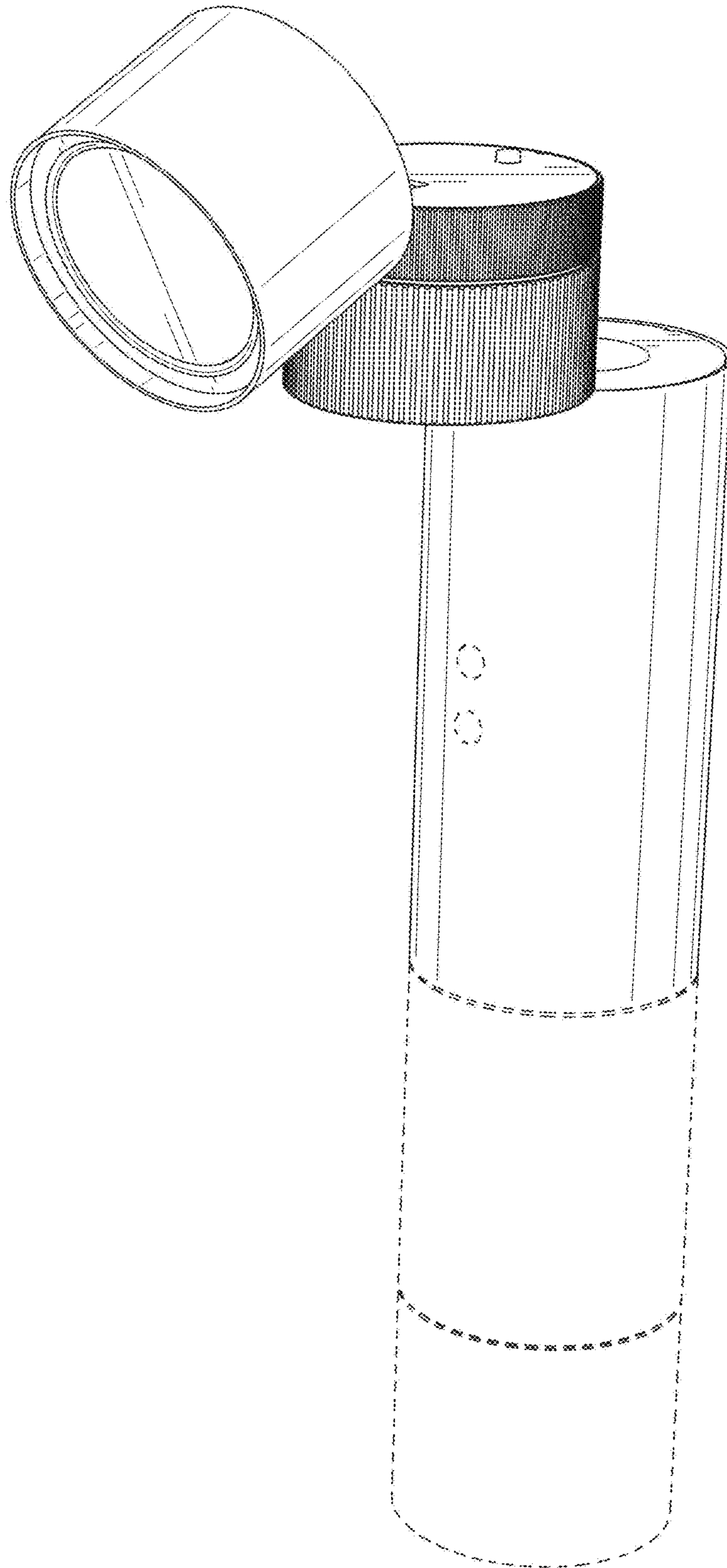


FIG. 16

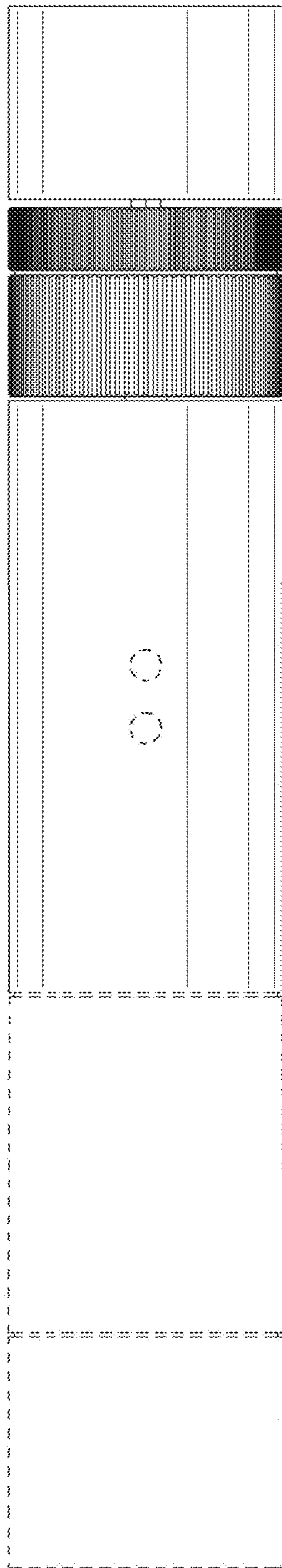


FIG. 17

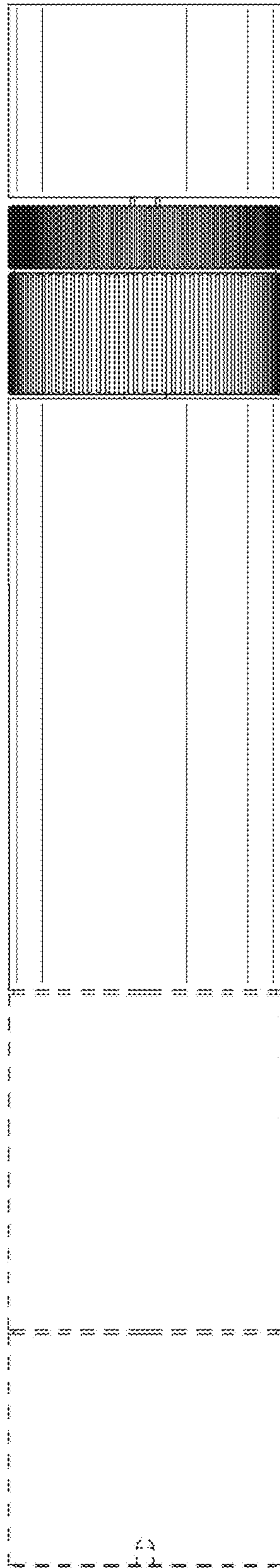


FIG. 18

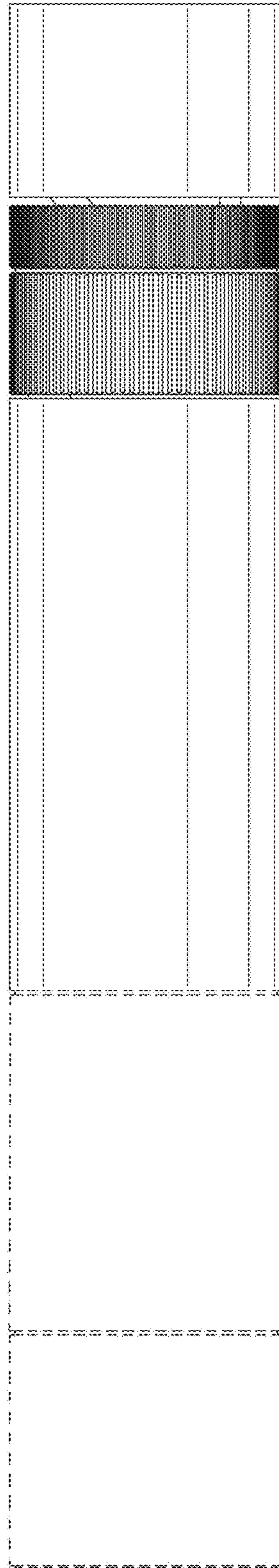


FIG. 19

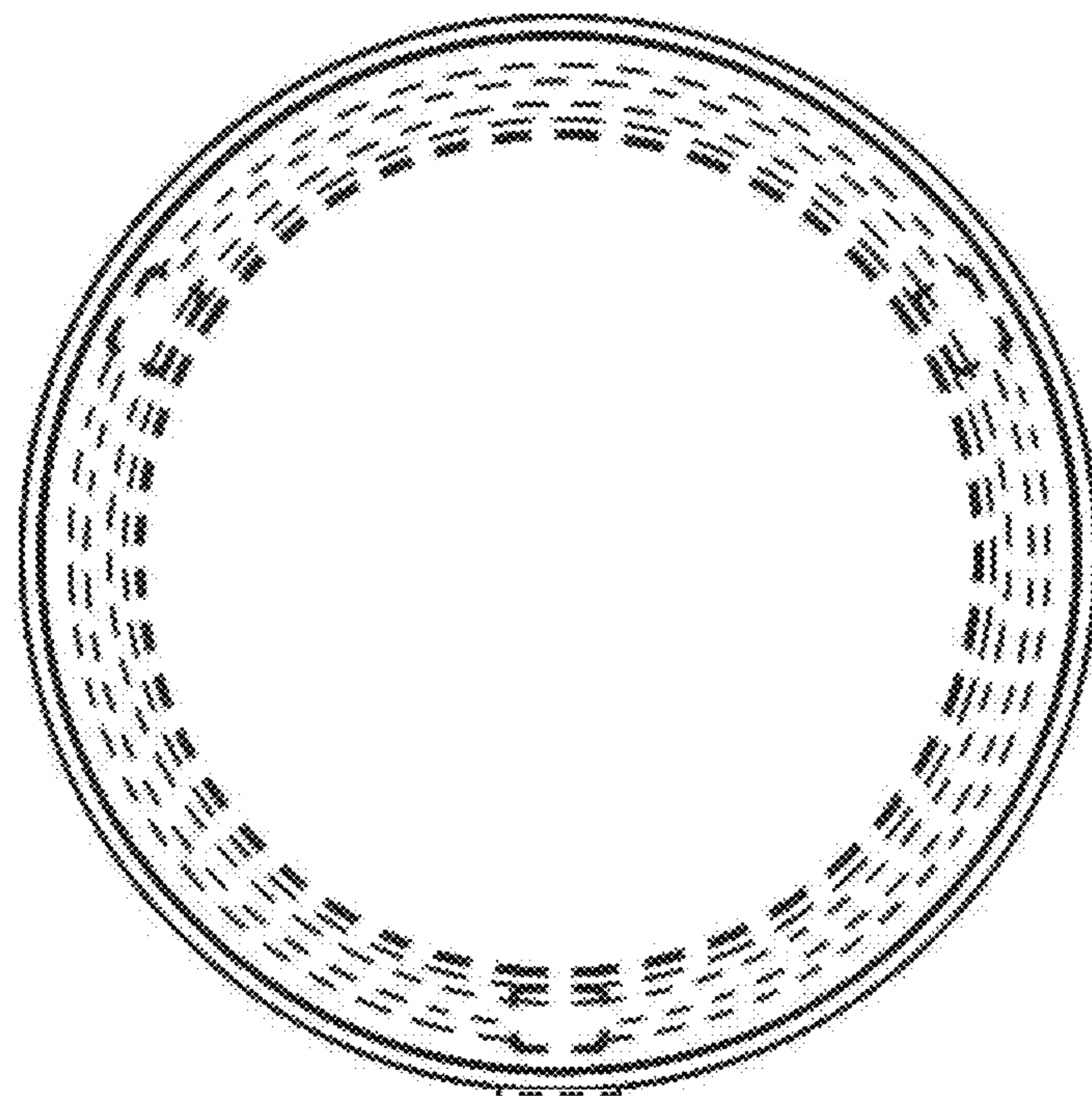


FIG. 20

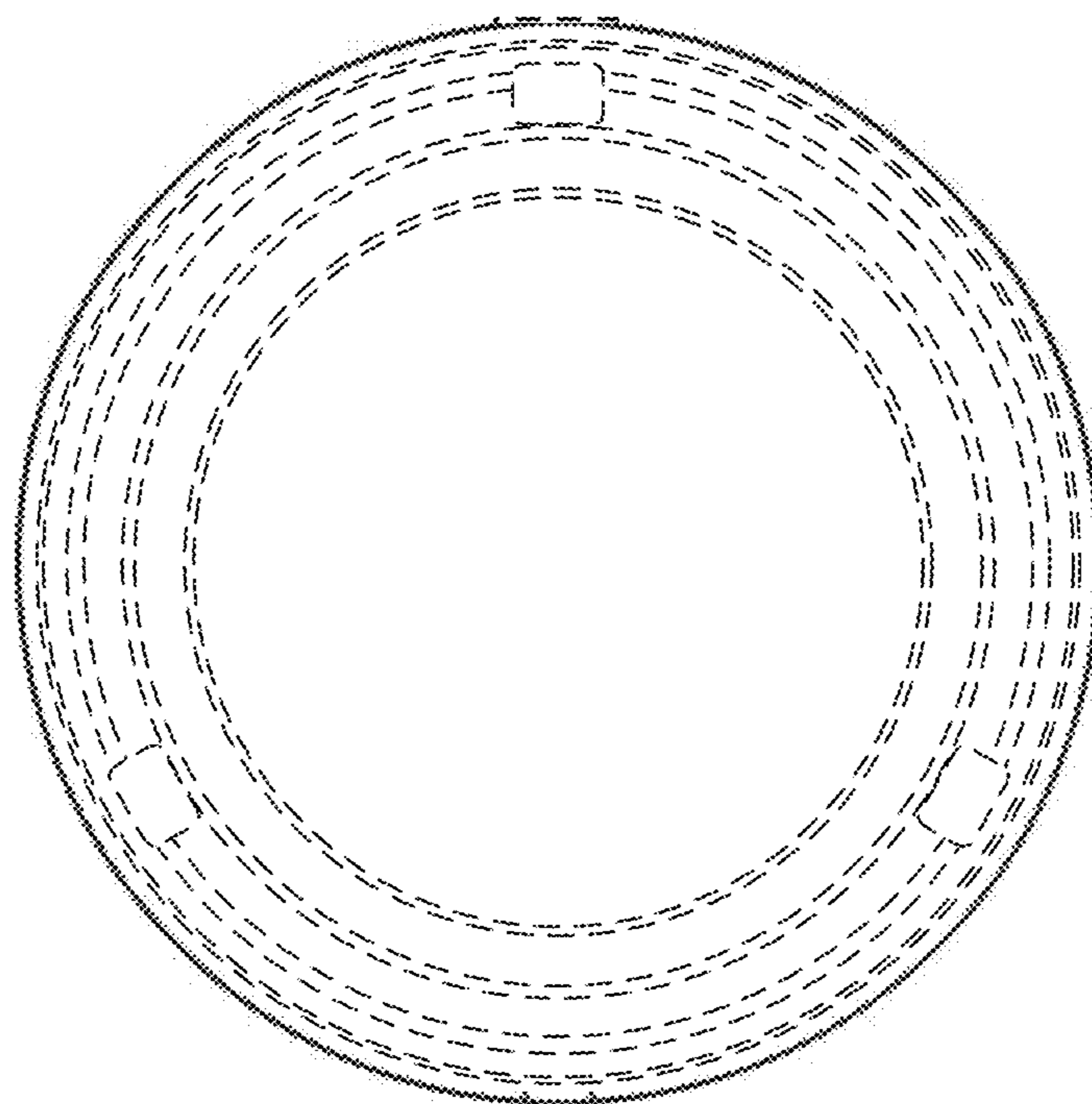


FIG. 21