



US00D773089S

(12) **United States Design Patent** (10) **Patent No.:** **US D773,089 S**  
**Glass** (45) **Date of Patent:** **\*\* Nov. 29, 2016**

- (54) **LAMP**
- (71) Applicant: **Karen Glass**, Andover, MA (US)
- (72) Inventor: **Karen Glass**, Andover, MA (US)
- (\*\*) Term: **15 Years**
- (21) Appl. No.: **29/532,056**
- (22) Filed: **Jul. 1, 2015**

**Related U.S. Application Data**

- (63) Continuation of application No. 13/364,989, filed on Feb. 2, 2012, now abandoned.
- (51) **LOC (10) Cl.** ..... **26-03**
- (52) **U.S. Cl.**  
USPC ..... **D26/62**
- (58) **Field of Classification Search**  
USPC ..... D26/1, 24, 61, 62, 72, 93, 106, 110  
CPC ..... F21S 6/00; F21S 6/002; F21S 6/003;  
F21S 6/004; F21S 6/005; F21S 6/006;  
F21S 6/007; F21V 21/02; F21V 21/088;  
F21W 2121/00; F21W 2131/30  
See application file for complete search history.

(56) **References Cited**

**U.S. PATENT DOCUMENTS**

|               |         |                  |                       |
|---------------|---------|------------------|-----------------------|
| 2,026,156 A   | 12/1935 | Alexander et al. |                       |
| 4,101,957 A   | 7/1978  | Chang            |                       |
| 4,238,816 A * | 12/1980 | Merlo            | F21S 6/003<br>362/279 |
| D290,519 S *  | 6/1987  | Kuo              | D26/60                |
| 4,692,850 A * | 9/1987  | LeDoux           | F21V 21/02<br>362/285 |
| 4,843,530 A   | 6/1989  | Mori et al.      |                       |
| 4,899,265 A   | 2/1990  | Maglica          |                       |

|                 |         |                  |        |
|-----------------|---------|------------------|--------|
| 4,949,231 A     | 8/1990  | Wang             |        |
| 4,987,523 A     | 1/1991  | Lindabury et al. |        |
| 5,171,086 A     | 12/1992 | Baloochi         |        |
| 5,584,568 A     | 12/1996 | Corbasson et al. |        |
| D390,990 S *    | 2/1998  | Yang             | D26/62 |
| D392,404 S *    | 3/1998  | Brown            | D26/62 |
| 5,826,971 A     | 10/1998 | Kibler           |        |
| 6,045,236 A     | 4/2000  | Cheng et al.     |        |
| D472,659 S *    | 4/2003  | Wang             | D26/63 |
| D498,321 S *    | 11/2004 | Terry            | D26/60 |
| 6,939,009 B2    | 9/2005  | Fischer et al.   |        |
| 7,261,438 B2    | 8/2007  | Alessio          |        |
| D563,581 S *    | 3/2008  | Niu              | D26/62 |
| 7,425,077 B2    | 9/2008  | Lockamy et al.   |        |
| 7,510,298 B2    | 3/2009  | Au et al.        |        |
| 7,578,599 B2    | 8/2009  | Moser et al.     |        |
| 7,824,062 B2    | 11/2010 | Ho               |        |
| 2009/0196027 A1 | 8/2009  | Dalton           |        |
| 2010/0195321 A1 | 8/2010  | Sharrah et al.   |        |

\* cited by examiner

*Primary Examiner* — Brian N Vinson

(74) *Attorney, Agent, or Firm* — Lambert & Associates;  
Gary E. Lambert; David J. Connaughton, Jr.

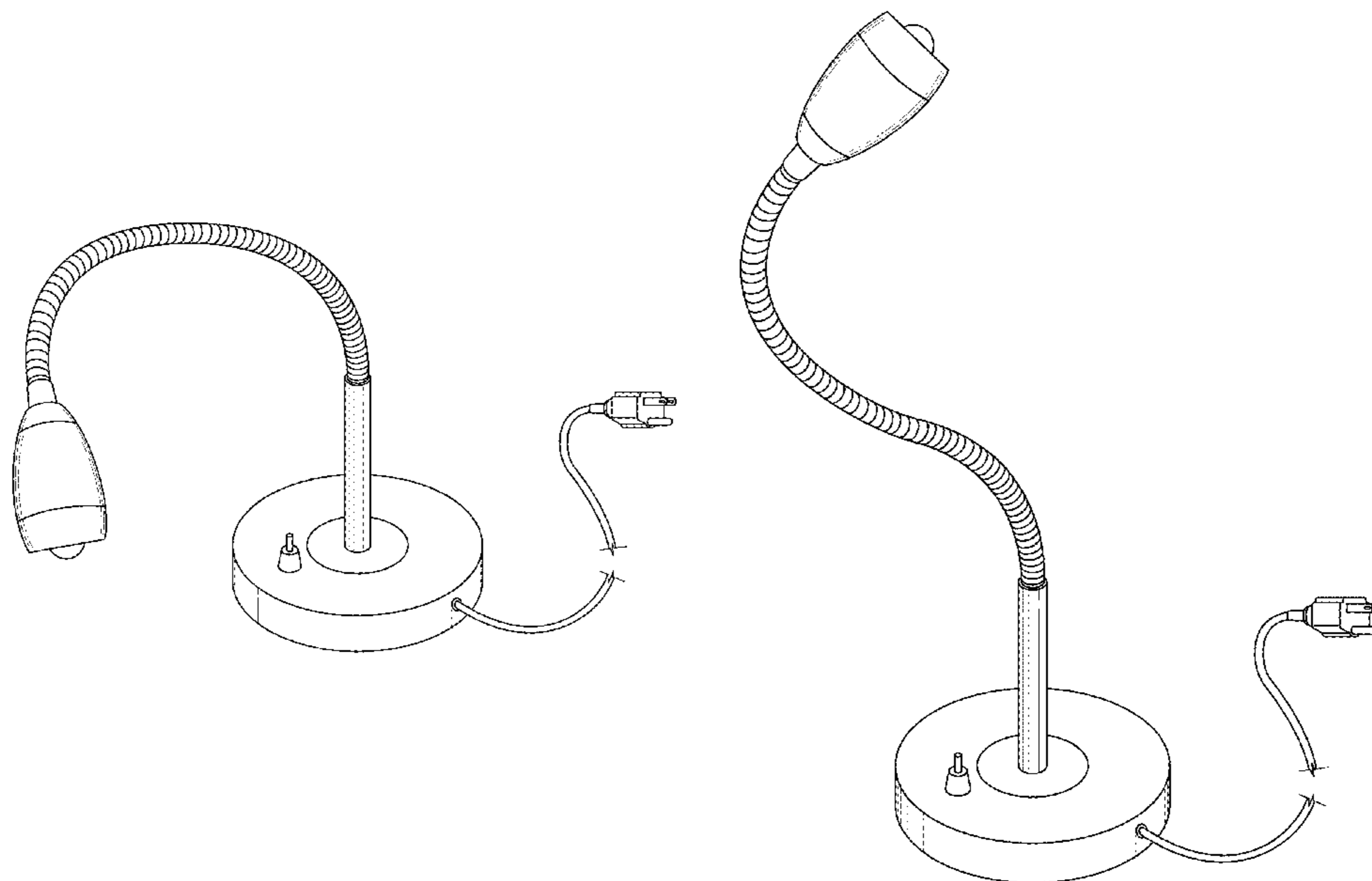
(57) **CLAIM**

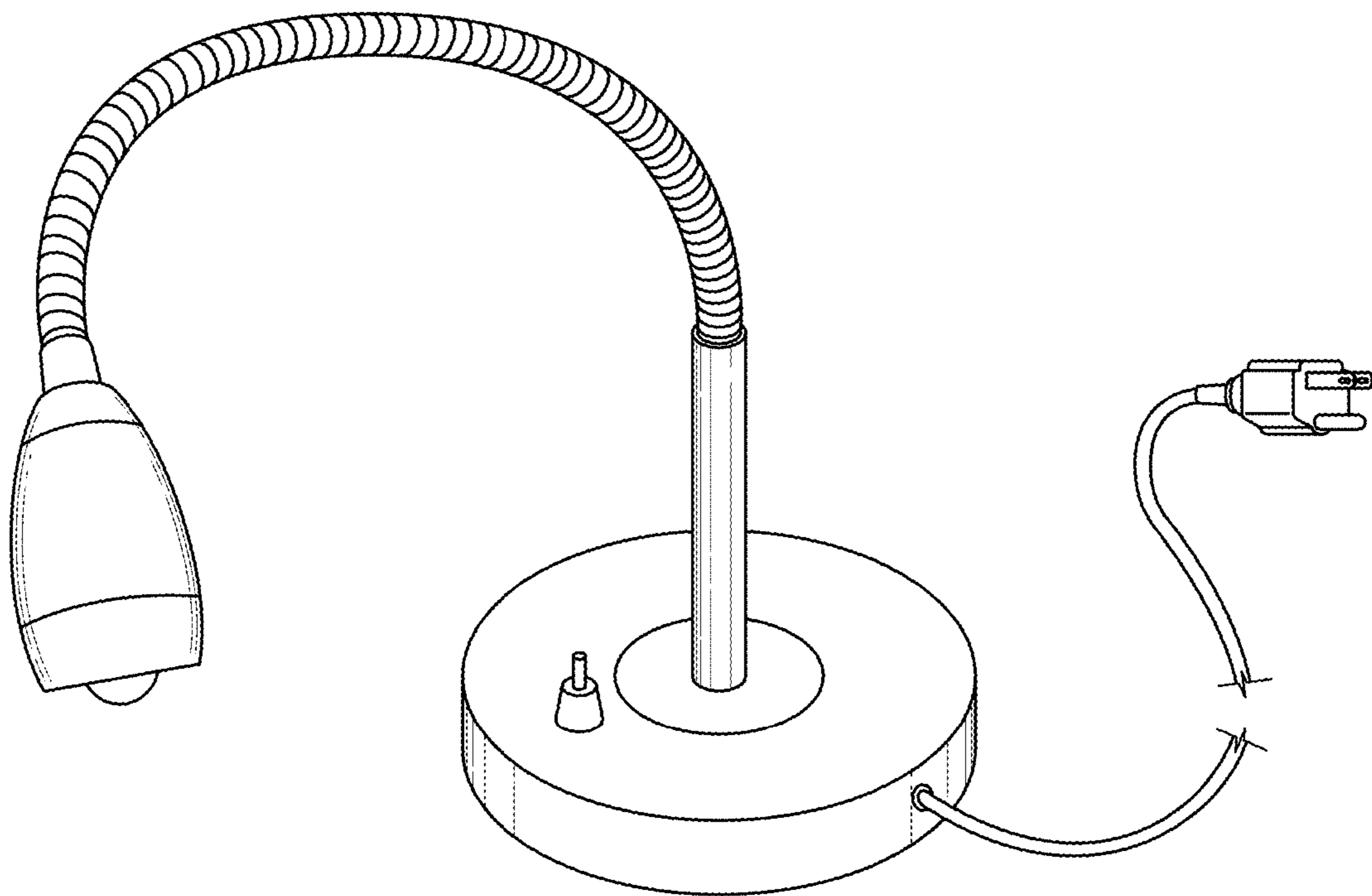
The ornamental design for the lamp, as shown and described.

**DESCRIPTION**

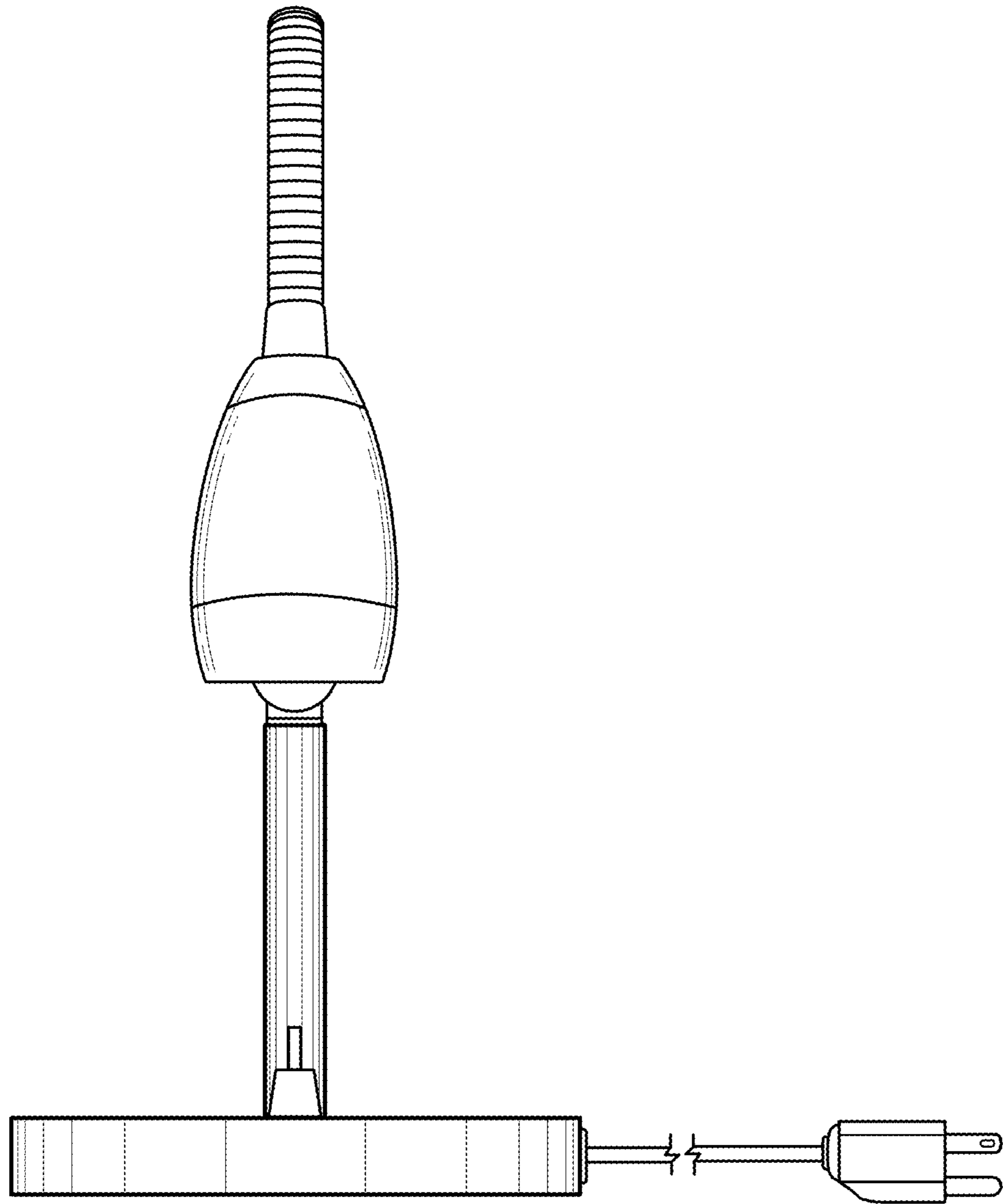
FIG. 1 is a perspective front view of the lamp, which embodies my design;  
 FIG. 2 is a front elevation view thereof;  
 FIG. 3 is a rear elevation view thereof;  
 FIG. 4 is a top view thereof;  
 FIG. 5 is a left side view thereof;  
 FIG. 6 is a right side view thereof; and,  
 FIG. 7 is a perspective front view thereof.

**1 Claim, 7 Drawing Sheets**

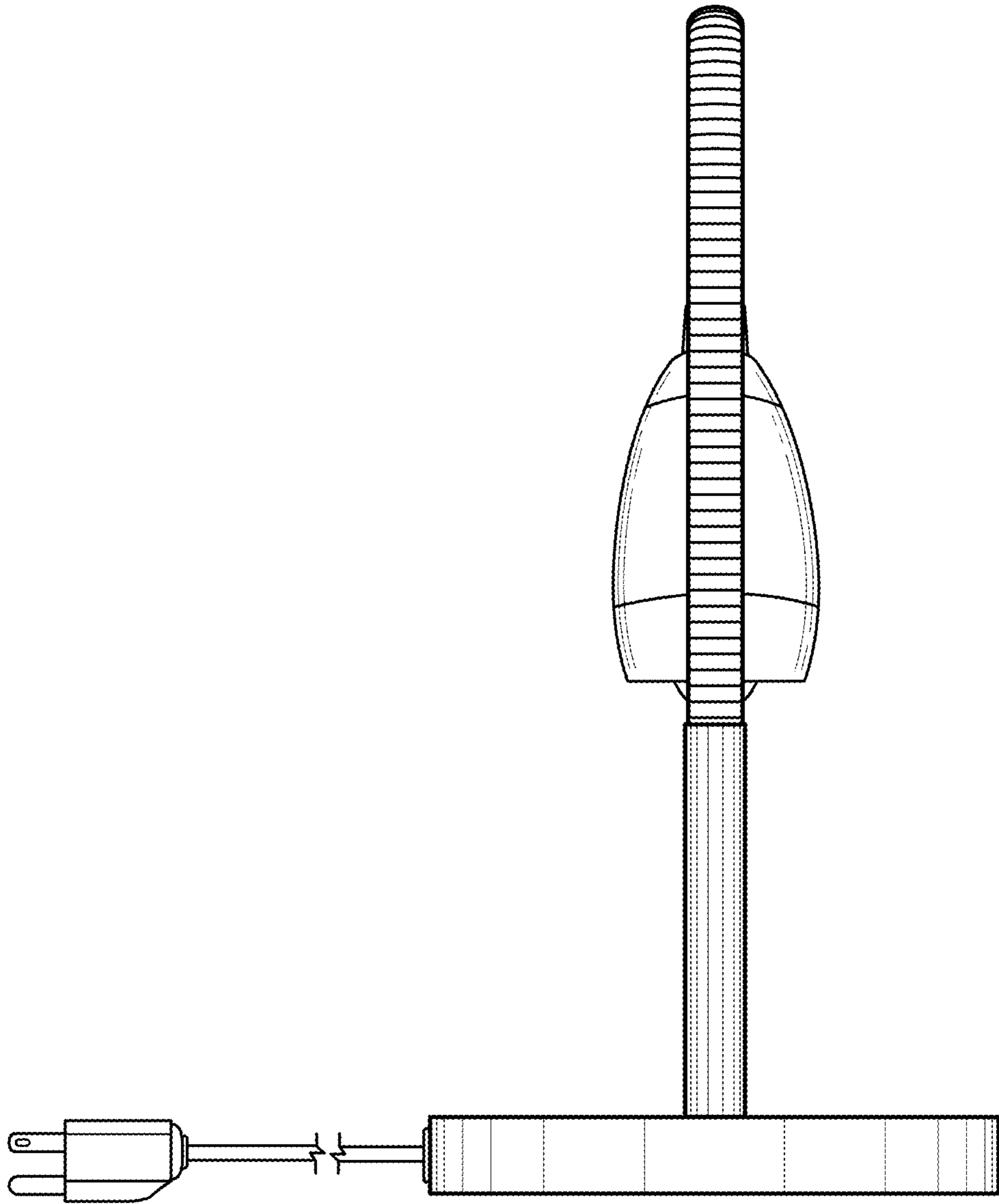




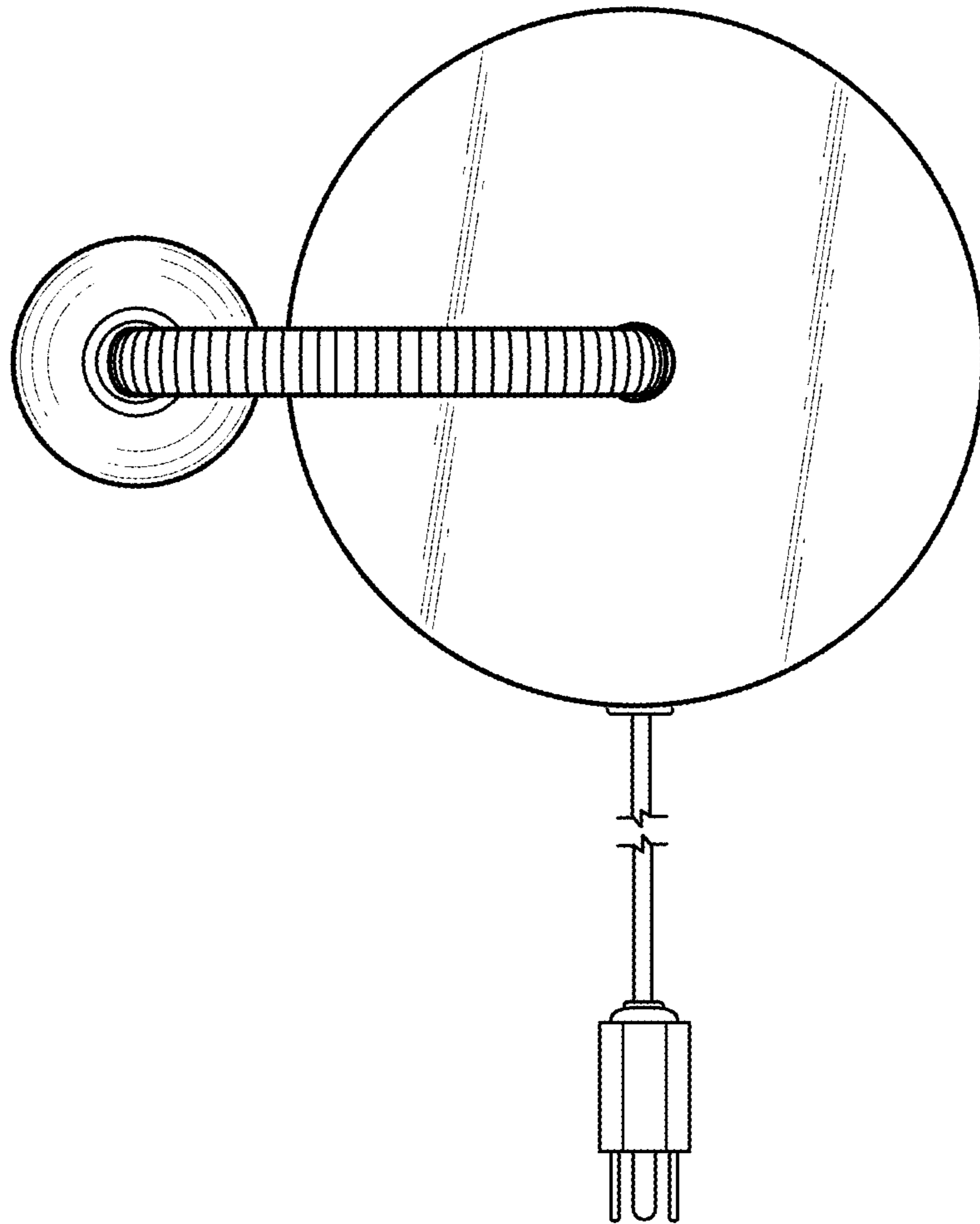
*Fig. 1*



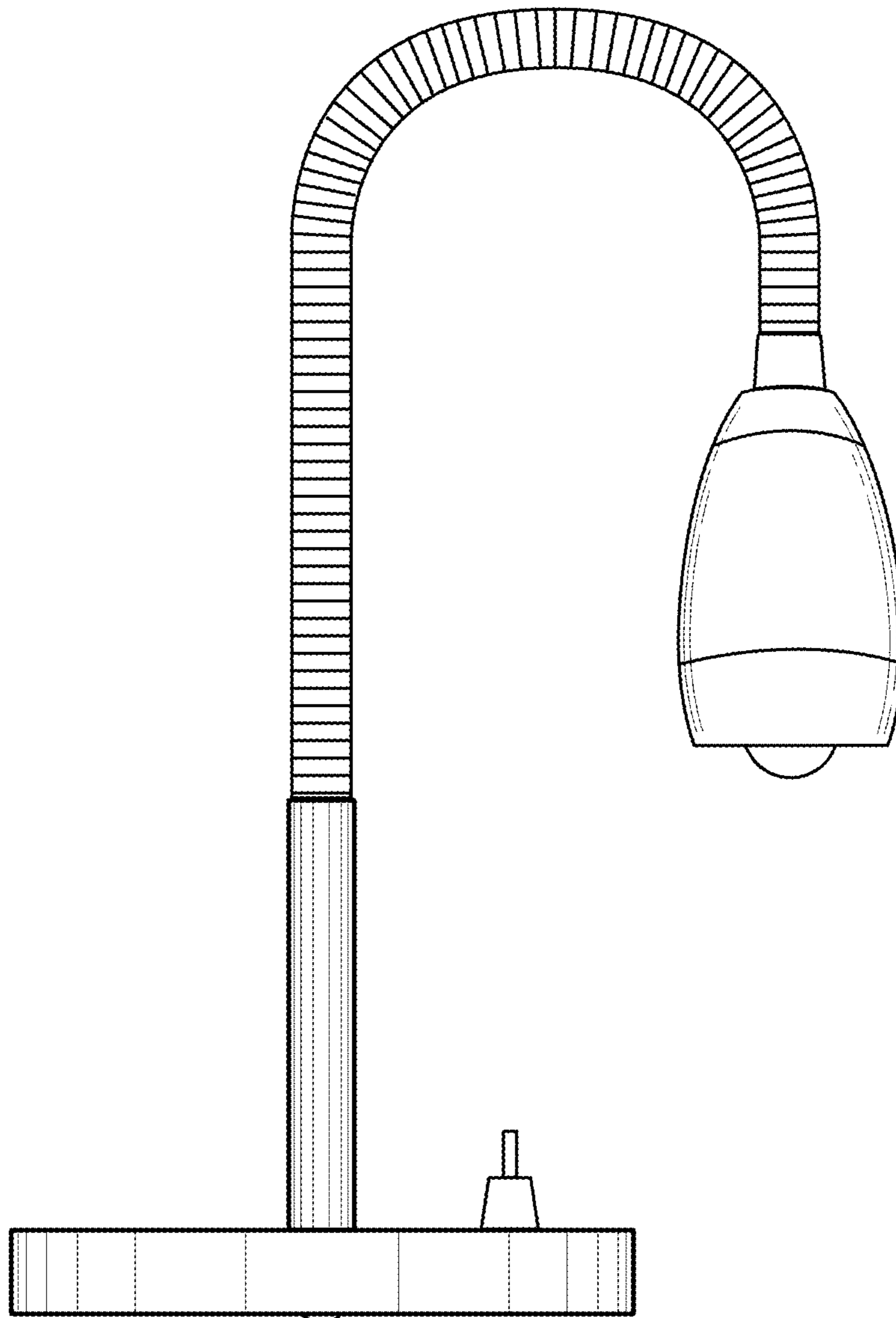
*Fig. 2*



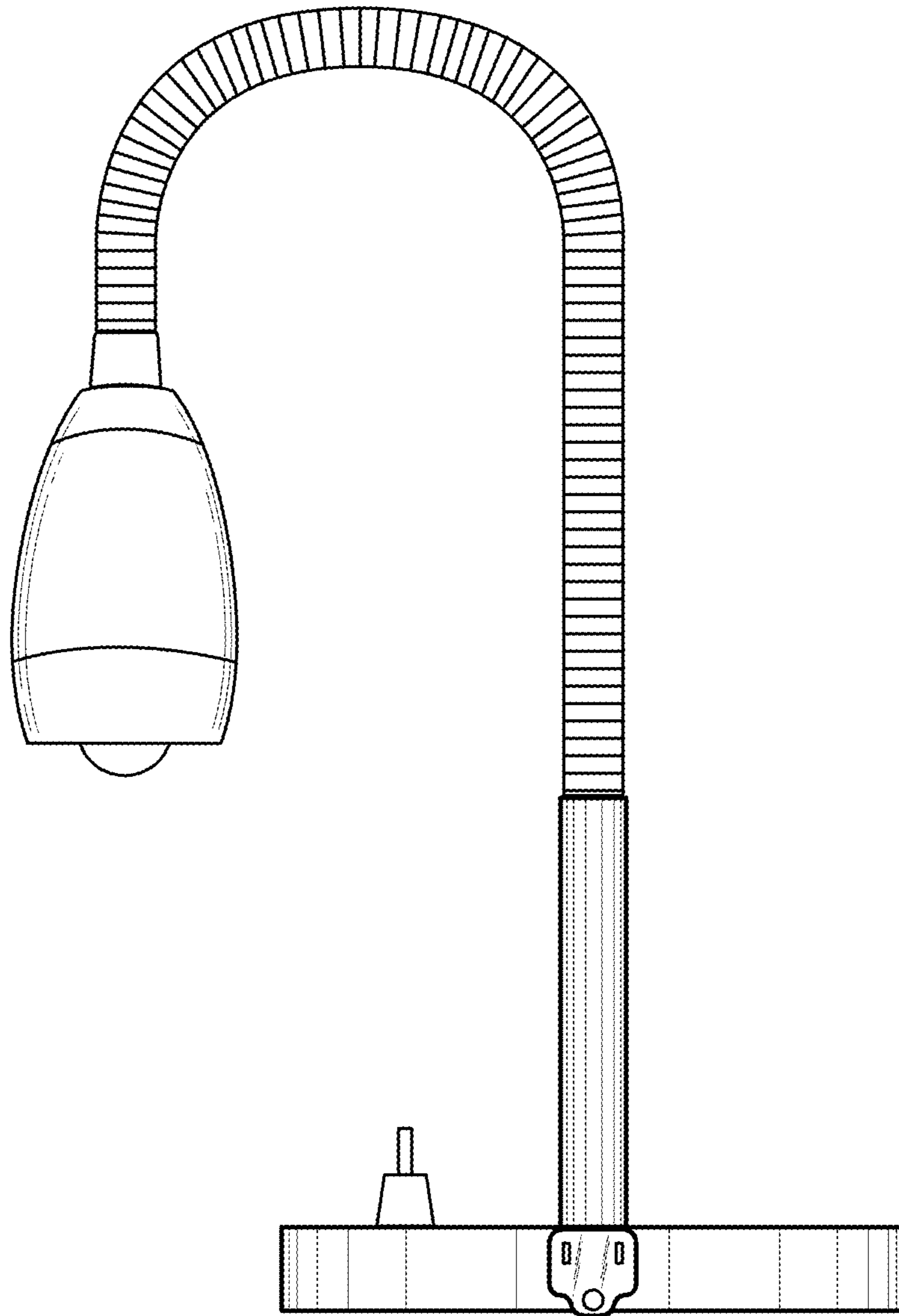
*Fig. 3*



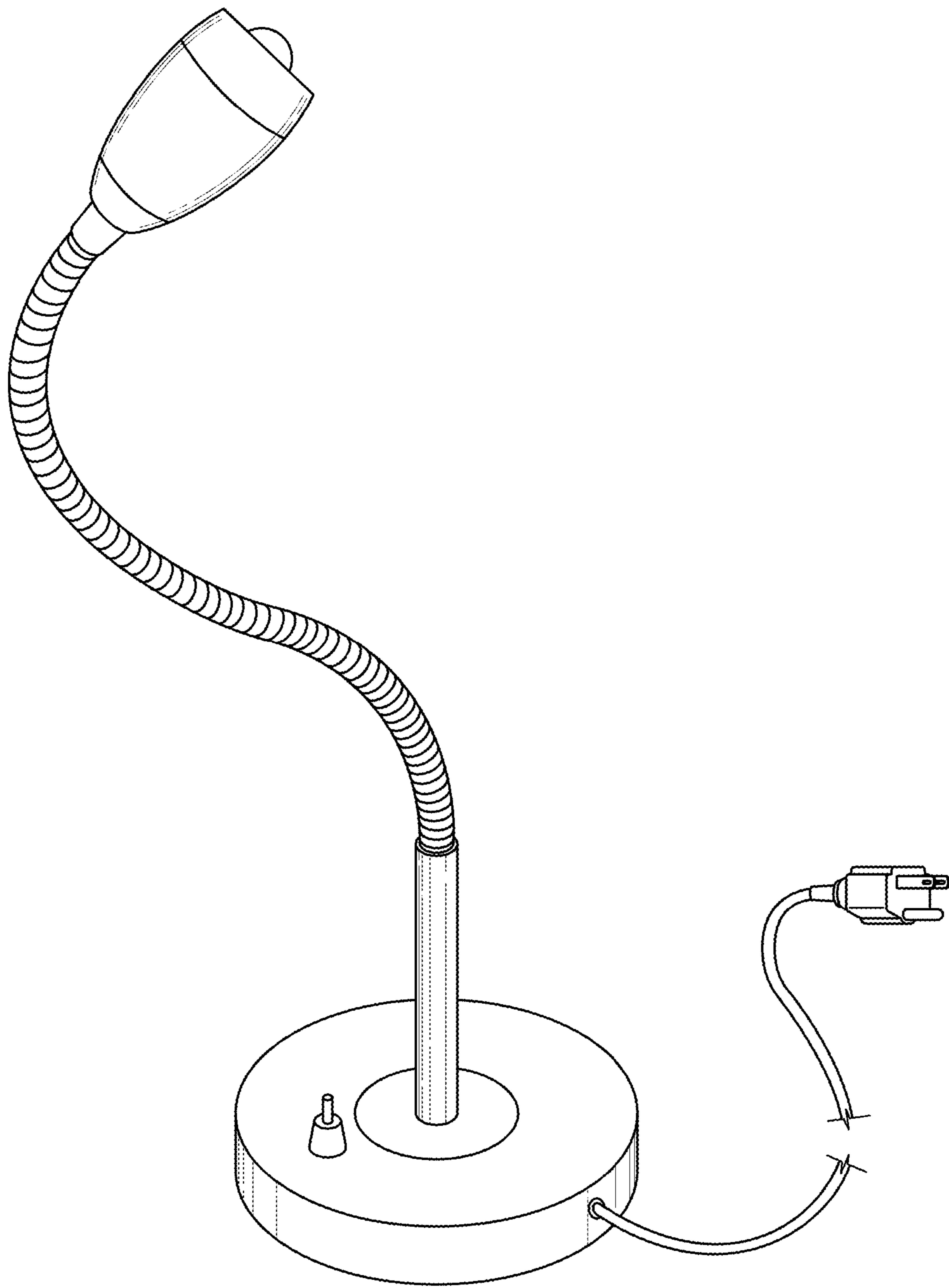
*Fig. 4*



*Fig. 5*



*Fig. 6*



*Fig. 7*