



US00D773088S

(12) **United States Design Patent** (10) **Patent No.:** **US D773,088 S**
Hodgson (45) **Date of Patent:** **** Nov. 29, 2016**

(54) **LAMP**

(56) **References Cited**

(71) Applicant: **The Daylight Company (Holdings) Limited**, London (GB)

U.S. PATENT DOCUMENTS

(72) Inventor: **Fraser Hodgson**, London (GB)

| | | | |
|--------------|---------|----------------|---------|
| D176,549 S * | 1/1956 | Mugnal | D26/109 |
| D268,529 S * | 4/1983 | Lebowitz | D26/65 |
| D574,531 S * | 8/2008 | Sun | D26/62 |
| D690,047 S * | 9/2013 | Ng | D26/65 |
| D694,448 S * | 11/2013 | Li | D26/62 |
| D747,030 S * | 1/2016 | Pfund | D26/138 |

(73) Assignee: **The Daylight Company (Holdings) Limited** (GB)

* cited by examiner

(**) Term: **14 Years**

Primary Examiner — Brian N Vinson

(21) Appl. No.: **29/523,674**

(74) *Attorney, Agent, or Firm* — Laubscher Spendlove & Laubscher, P.C.

(22) Filed: **Apr. 13, 2015**

(57) **CLAIM**

(30) **Foreign Application Priority Data**

The ornamental design for a lamp, as shown.

Jan. 16, 2015 (EM) 002615310-0001

DESCRIPTION

(51) **LOC (10) Cl.** **26-03**

FIG. 1 is a front perspective view thereof;

(52) **U.S. Cl.**

FIG. 2 is a front elevation view thereof;

USPC **D26/61**

FIG. 3 is a rear elevation view thereof;

(58) **Field of Classification Search**

USPC D26/24, 61, 65, 109, 110, 138

FIG. 4 is a right elevation view thereof

CPC F21S 4/00; F21S 4/003; F21S 4/005;

FIG. 5 is a left elevation view thereof;

F21S 4/006; F21S 4/007; F21S 4/008;

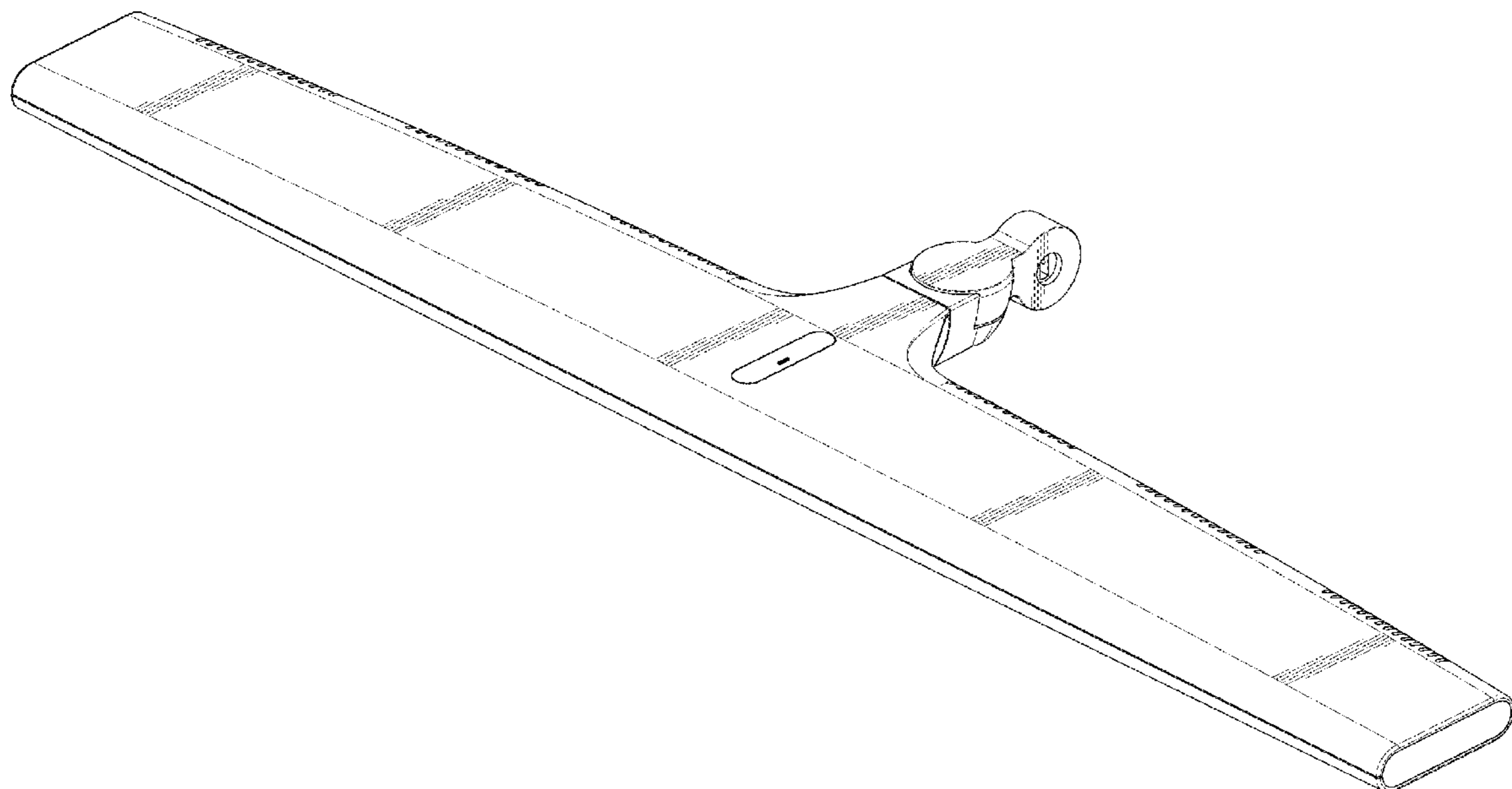
FIG. 6 is a top elevation view thereof; and,

F21S 6/00; F21S 6/004; F21S 6/006

FIG. 7 is a bottom elevation view thereof.

See application file for complete search history.

1 Claim, 6 Drawing Sheets



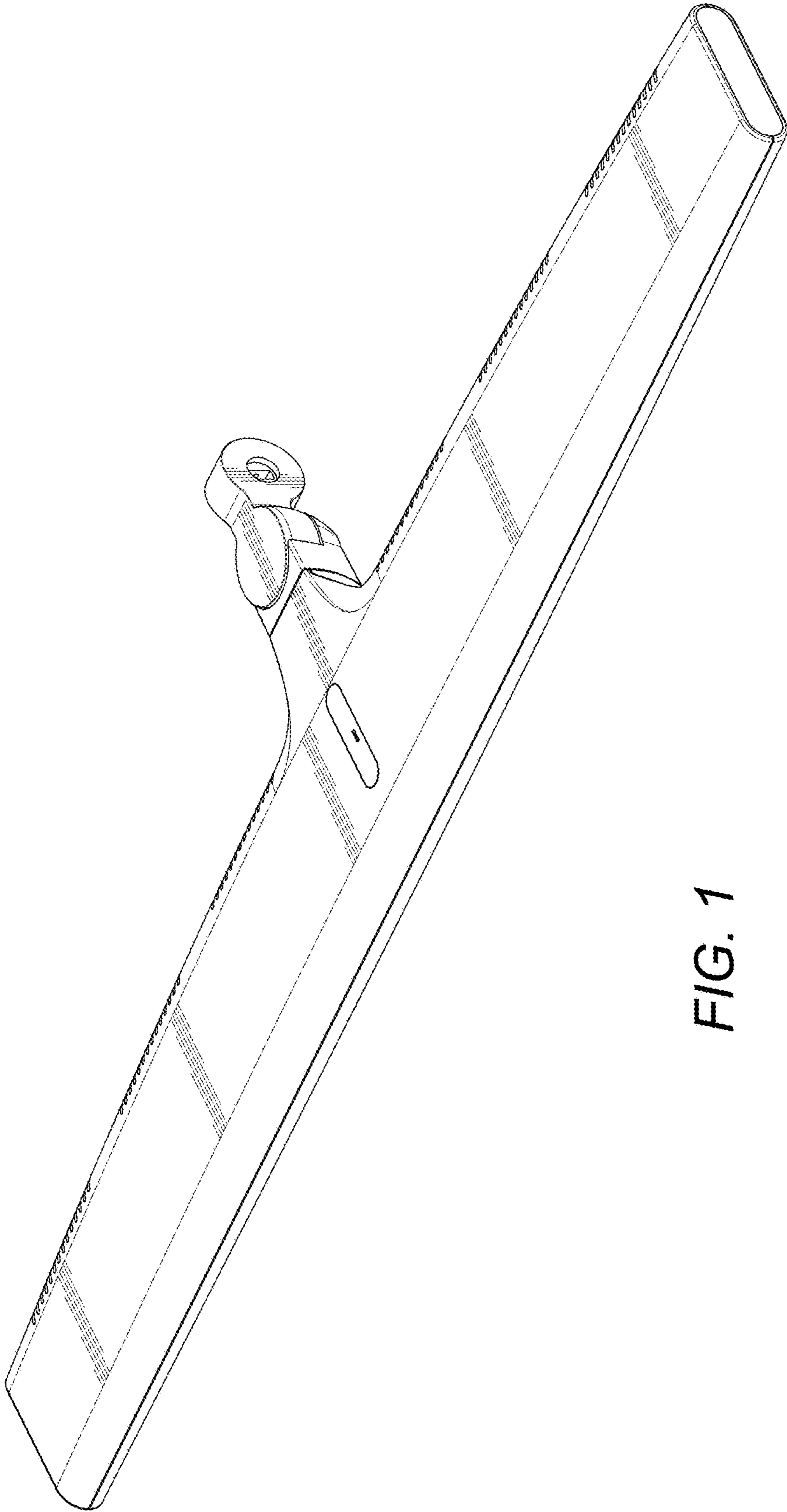


FIG. 1

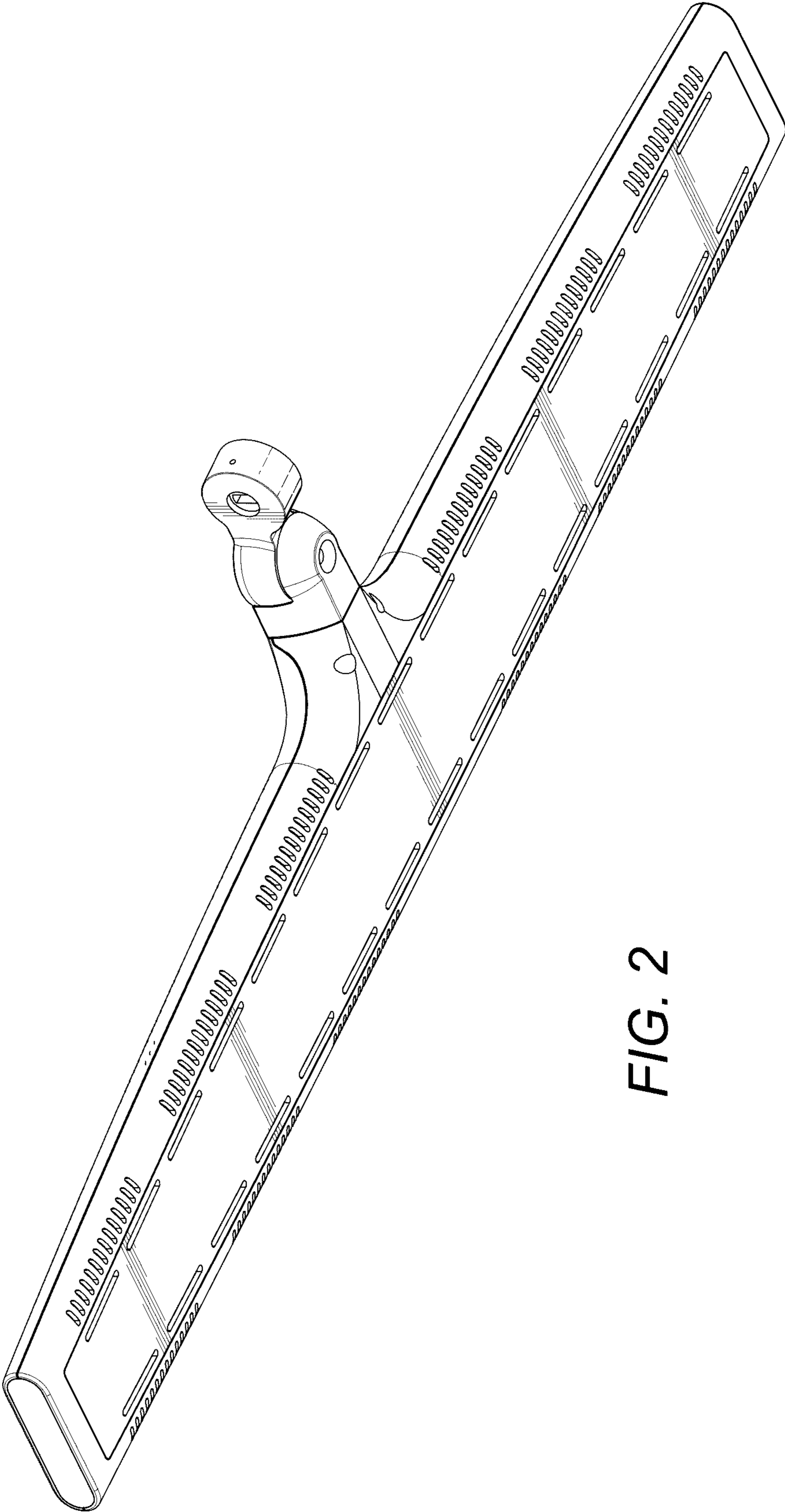


FIG. 2

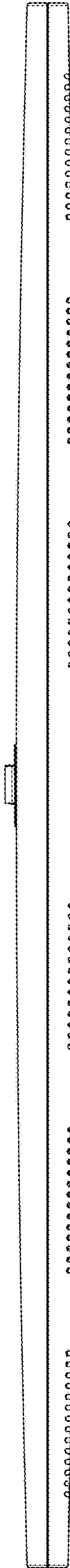


FIG. 3

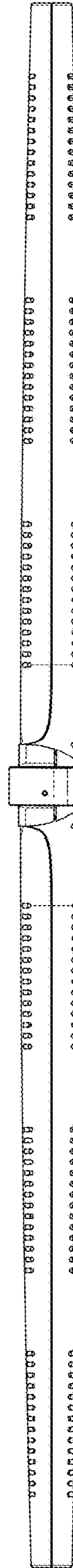


FIG. 4

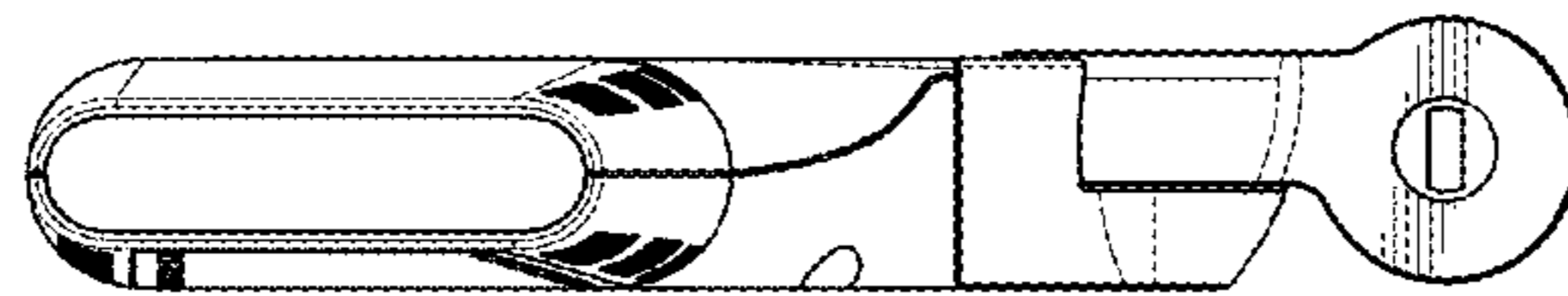


FIG. 5

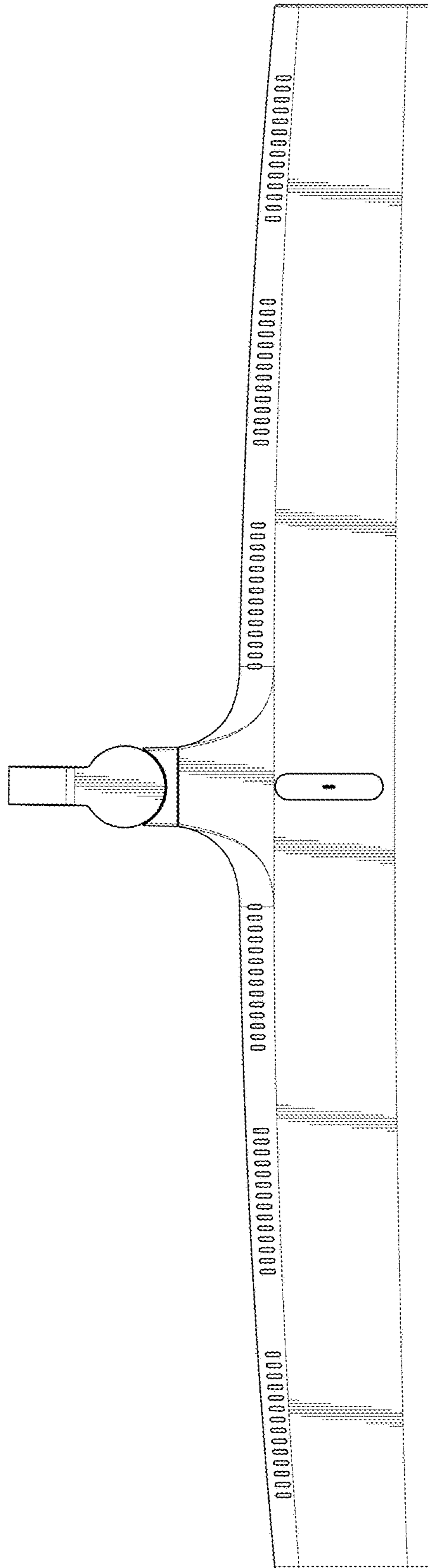


FIG. 6

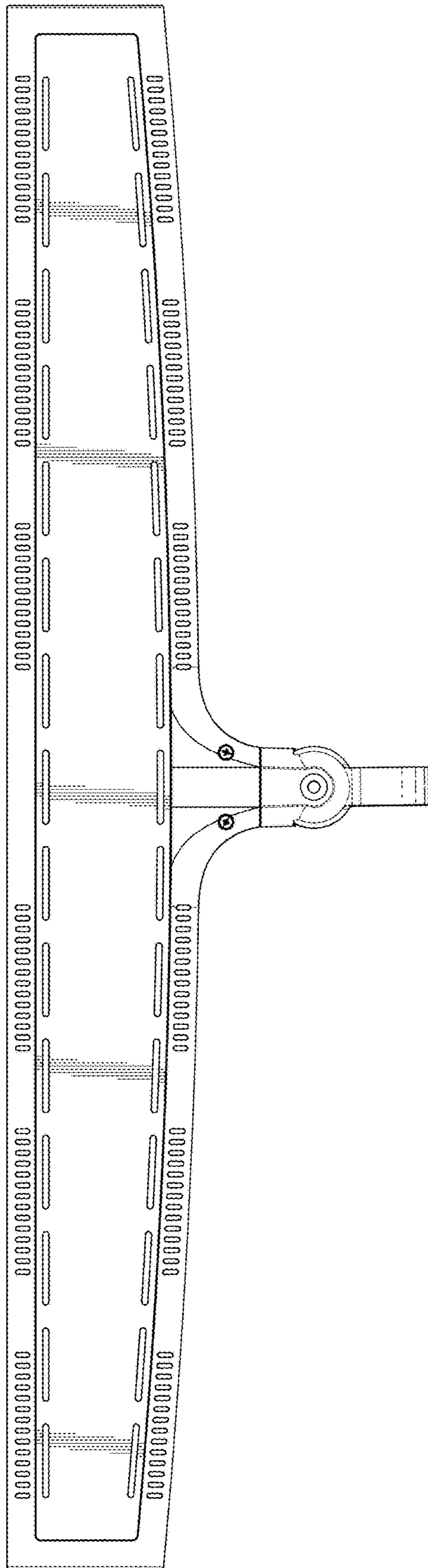


FIG. 7