



US00D773087S

(12) **United States Design Patent** (10) **Patent No.:** **US D773,087 S**  
**Brown et al.** (45) **Date of Patent:** **\*\* Nov. 29, 2016**

(54) **ATTACHABLE LIGHT FOR BOOKS OR THE LIKE**

(71) Applicant: **Energizer Brands, LLC**, St. Louis, MO (US)

(72) Inventors: **John R. Brown**, Mosman (AU); **Siu Bong Ng**, Kowloon (HK)

(73) Assignee: **Energizer Brands, LLC**, St. Louis, MO (US)

(\*\*) Term: **14 Years**

(21) Appl. No.: **29/517,225**

(22) Filed: **Feb. 11, 2015**

(51) **LOC (10) Cl.** ..... **26-03**

(52) **U.S. Cl.**  
USPC ..... **D26/60**

(58) **Field of Classification Search**  
USPC ..... D26/28, 60-63  
CPC ..... B62J 6/001; B62J 6/02; B62J 6/003;  
F21S 4/00; F21V 21/00  
See application file for complete search history.

(56) **References Cited**

**U.S. PATENT DOCUMENTS**

D436,202 S \* 1/2001 Chen ..... D26/60  
6,808,289 B2 10/2004 Reed

D498,322 S \* 11/2004 Schnell ..... D26/60  
D513,085 S 12/2005 Shiu  
D529,651 S 10/2006 Chan  
D542,451 S 5/2007 Chan  
D544,124 S \* 6/2007 Chan ..... D26/60  
D590,533 S 4/2009 Li  
D594,149 S 6/2009 Chan  
D616,584 S \* 5/2010 Kang ..... D26/60  
D625,866 S \* 10/2010 Kang ..... D26/60

\* cited by examiner

*Primary Examiner* — Brian N Vinson

(74) *Attorney, Agent, or Firm* — McDonald Hopkins LLC

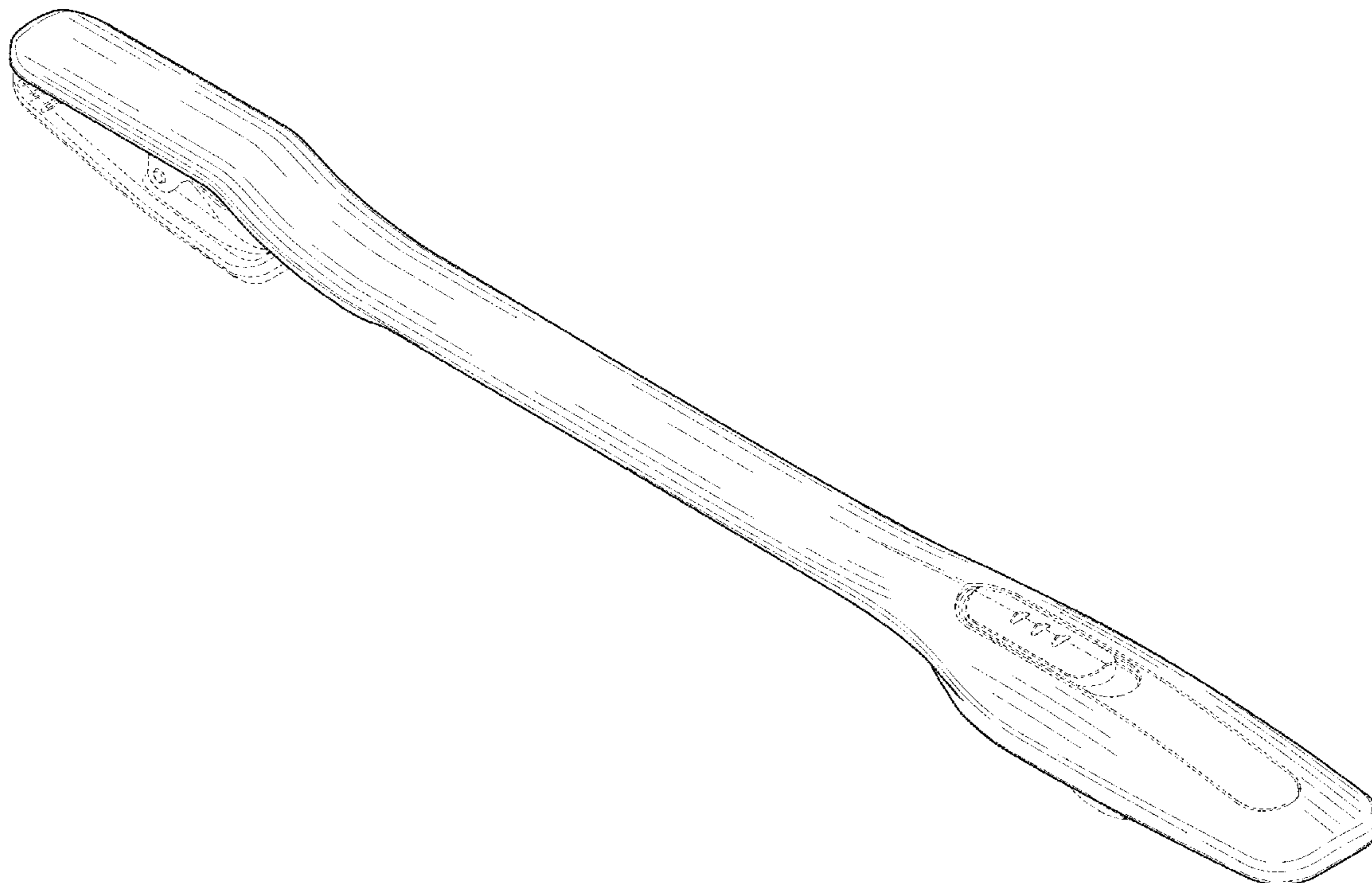
(57) **CLAIM**

We claim the ornamental design for an attachable light for books or the like, as shown and described.

**DESCRIPTION**

FIG. 1 is a front perspective view of an attachable light for books or the like showing our new design;  
FIG. 2 is a rear perspective view thereof;  
FIG. 3 is a top plan view thereof;  
FIG. 4 is a bottom plan view thereof;  
FIG. 5 is a front elevational view thereof;  
FIG. 6 is a rear elevational view thereof;  
FIG. 7 is a left side elevational view thereof; and,  
FIG. 8 is a right side elevational view thereof.  
The broken lines represent portions of the light which form no part of the claimed design.

**1 Claim, 4 Drawing Sheets**



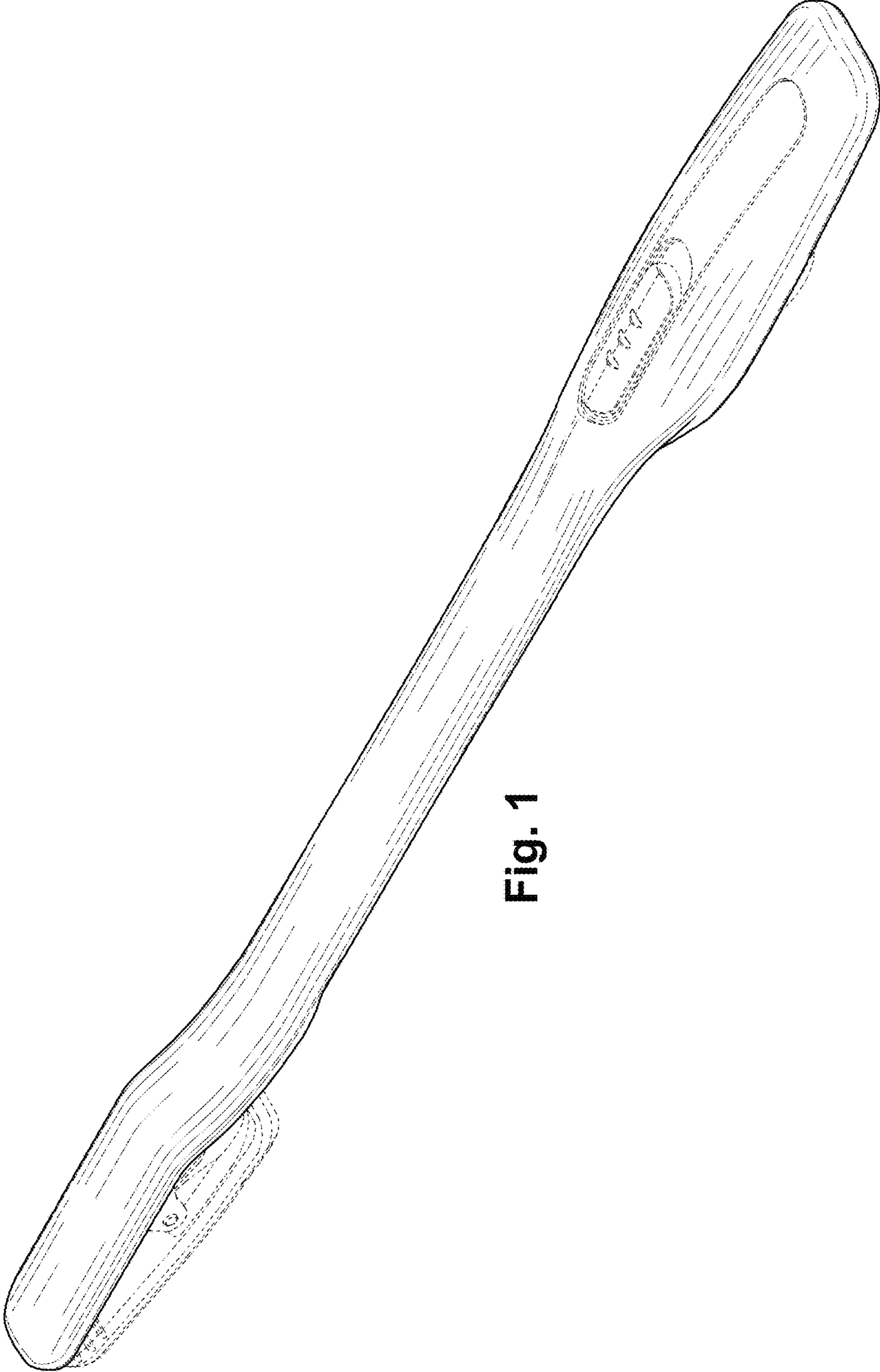


Fig. 1

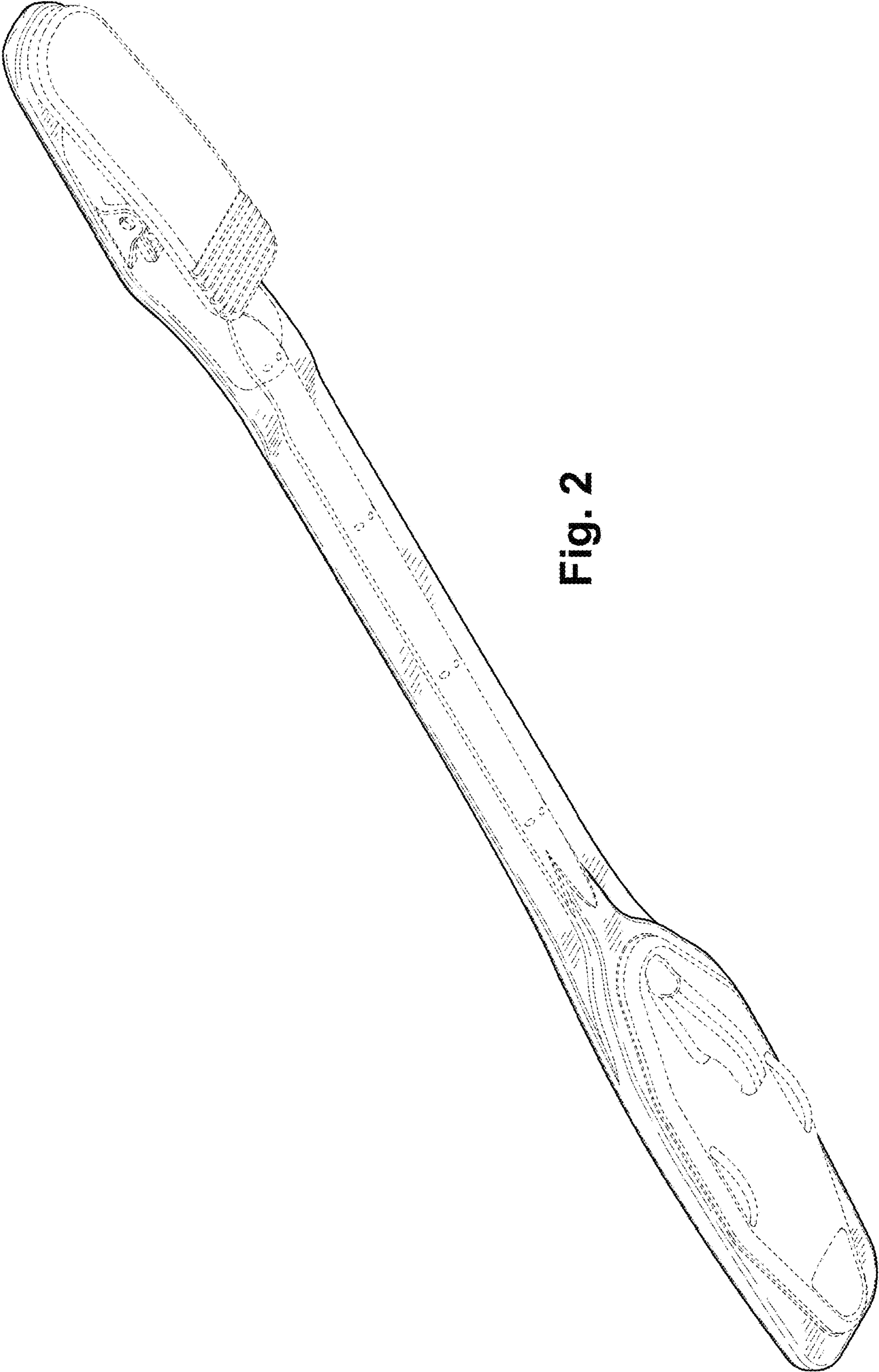
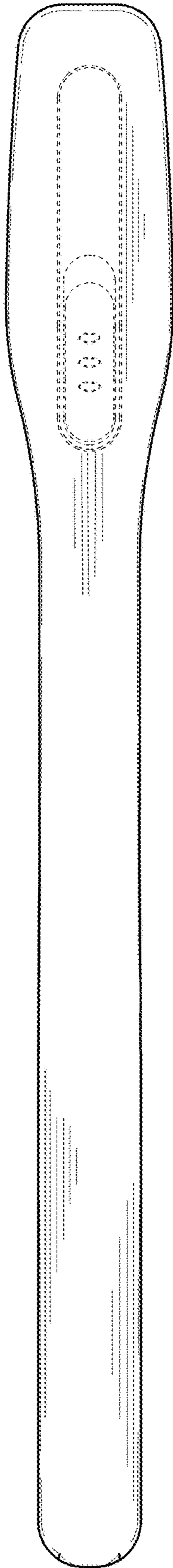
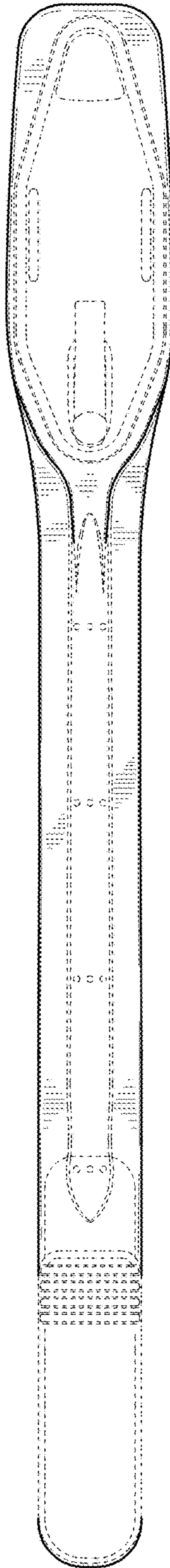


Fig. 2



**Fig. 3**



**Fig. 4**

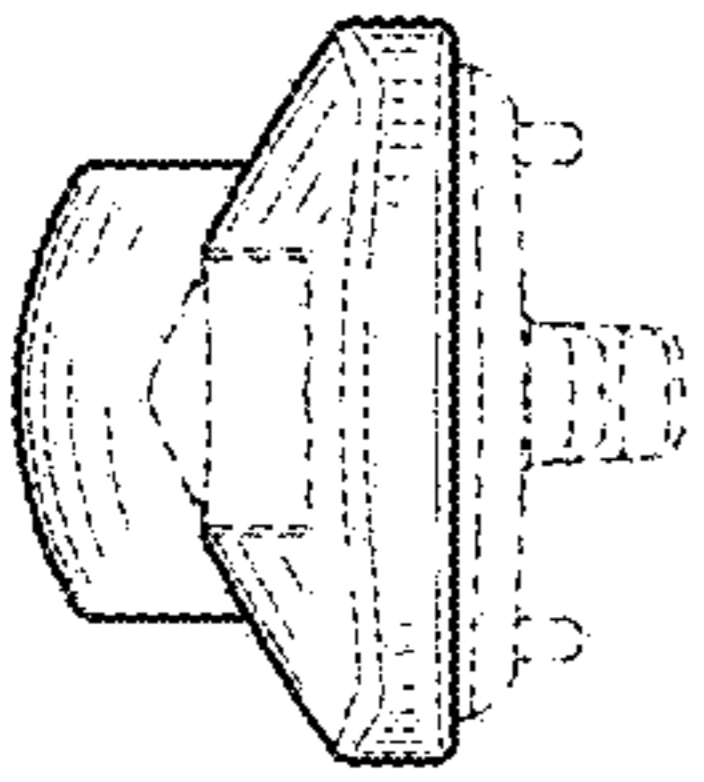


Fig. 5

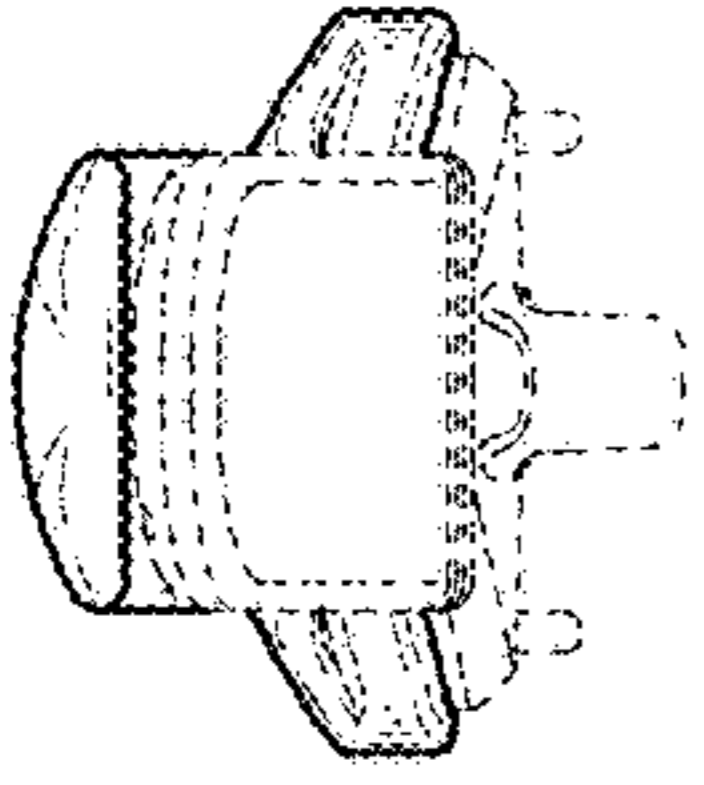


Fig. 6



Fig. 7



Fig. 8