



US00D773082S

(12) **United States Design Patent**
Kanasugi et al.

(10) **Patent No.:** **US D773,082 S**

(45) **Date of Patent:** **** Nov. 29, 2016**

(54) **FRONT COMBINATION LAMP FOR A
MOTOR VEHICLE**

(71) Applicants: **Tsuneo Kanasugi**, Toyota (JP); **Koichi Suga**, Toyota (JP)

(72) Inventors: **Tsuneo Kanasugi**, Toyota (JP); **Koichi Suga**, Toyota (JP)

(73) Assignee: **Toyota Jidosha Kabushiki Kaisha**, Toyota-shi, Aichi-ken (JP)

(**) Term: **15 Years**

(21) Appl. No.: **29/536,831**

(22) Filed: **Aug. 19, 2015**

(30) **Foreign Application Priority Data**

Feb. 20, 2015 (JP) 2015-003447

(51) **LOC (10) Cl.** **26-06**

(52) **U.S. Cl.**
USPC **D26/28**

(58) **Field of Classification Search**
USPC D26/28-36; 362/459-468, 475-478,
362/485-487

CPC F21S 48/00; F21S 48/10; F21S 48/115;
F21S 48/225; F21S 48/1233; F21S 48/1266;
F21S 48/1388; F21S 48/2268; F21V 21/04
See application file for complete search history.

(56) **References Cited**

U.S. PATENT DOCUMENTS

D671,248 S * 11/2012 Fuchigami D26/28
D672,482 S * 12/2012 Lee D26/28

D688,824 S * 8/2013 Binder D26/28
D706,471 S * 6/2014 Lai D26/28
D707,860 S * 6/2014 Futschik D26/28
D709,223 S * 7/2014 Lai D26/28
D721,840 S * 1/2015 Futschik D26/28

OTHER PUBLICATIONS

Netcarshow.com; URL: http://www.netcarshow.com/lexus/2013-ls_460/; Model: Lexus LS 460 (2013); Mfg.: Lexus; available on at least Apr. 15, 2014.

Netcarshow.com; URL: http://www.netcarshow.com/acura/2014-tlx_concept/; Model: Acura TLX Concept (2014); Mfg.: Acura; available on at least Apr. 15, 2014.

Netcarshow.com; URL: http://www.netcarshow.com/lamborghini/2012-urus_concept/; Model: Urus Concept (2012); Mfg.: Lamborghini; available on at least Apr. 15, 2014.

* cited by examiner

Primary Examiner — Marcus Jackson

(74) *Attorney, Agent, or Firm* — Finnegan, Henderson, Farabow, Garrett & Dunner, LLP

(57) **CLAIM**

The ornamental design for a front combination lamp for a motor vehicle, as shown and described.

DESCRIPTION

FIG. 1 is a front perspective view of a front combination lamp for a motor vehicle showing our new design;

FIG. 2 is a front view thereof;

FIG. 3 is a rear view thereof;

FIG. 4 is a right side elevation view thereof;

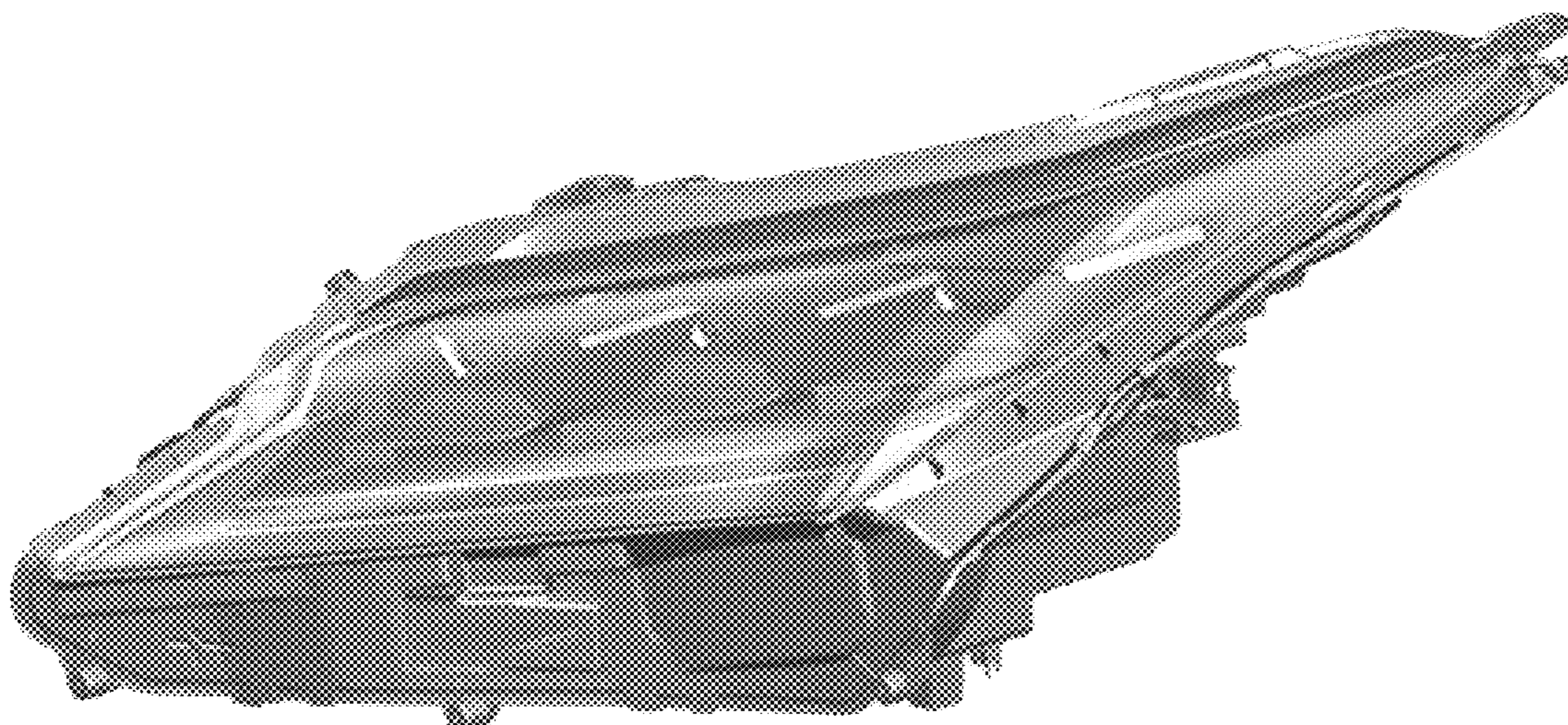
FIG. 5 is a left side elevation view thereof;

FIG. 6 is a top plan view thereof; and,

FIG. 7 is a bottom plan view thereof.

Our design includes a mirror image of the embodiment depicted.

1 Claim, 7 Drawing Sheets



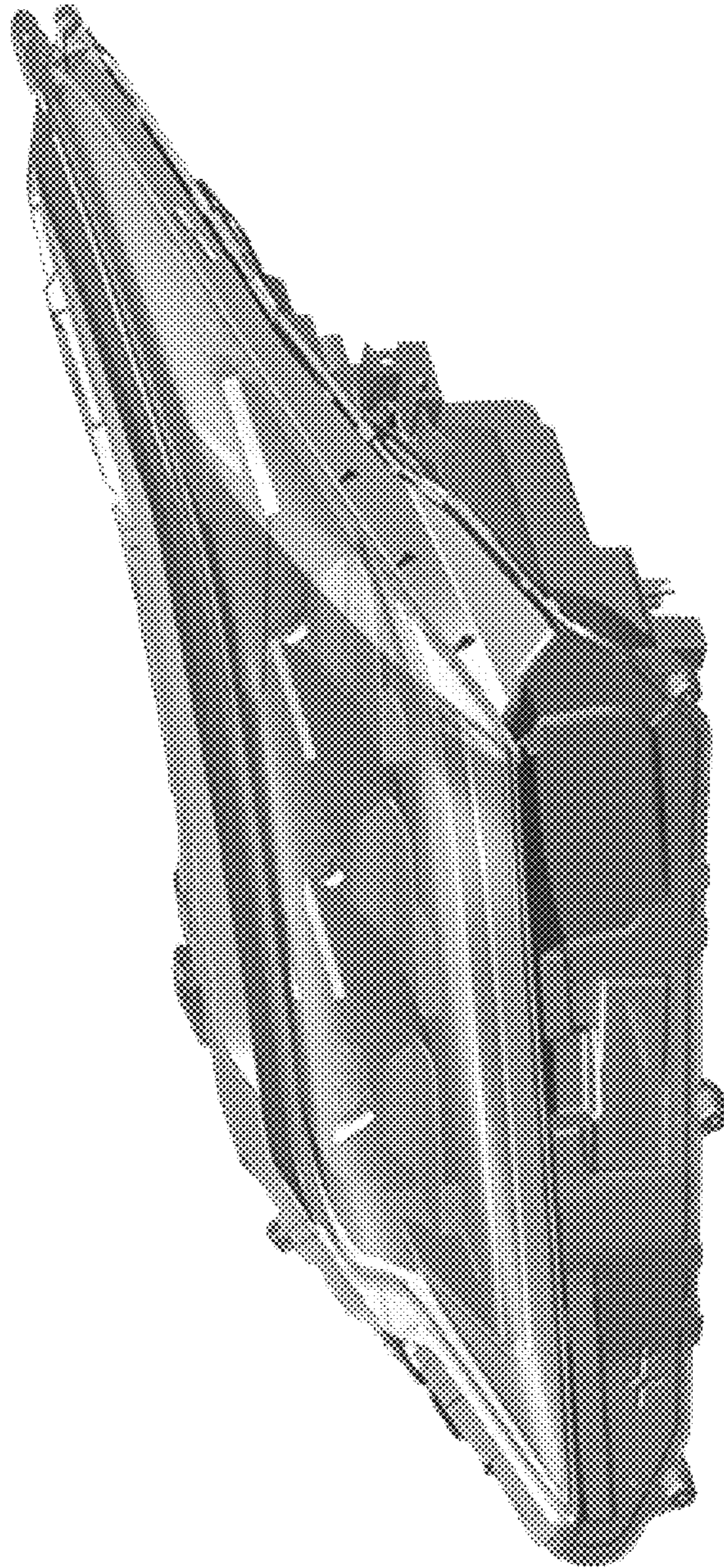


FIG. 1

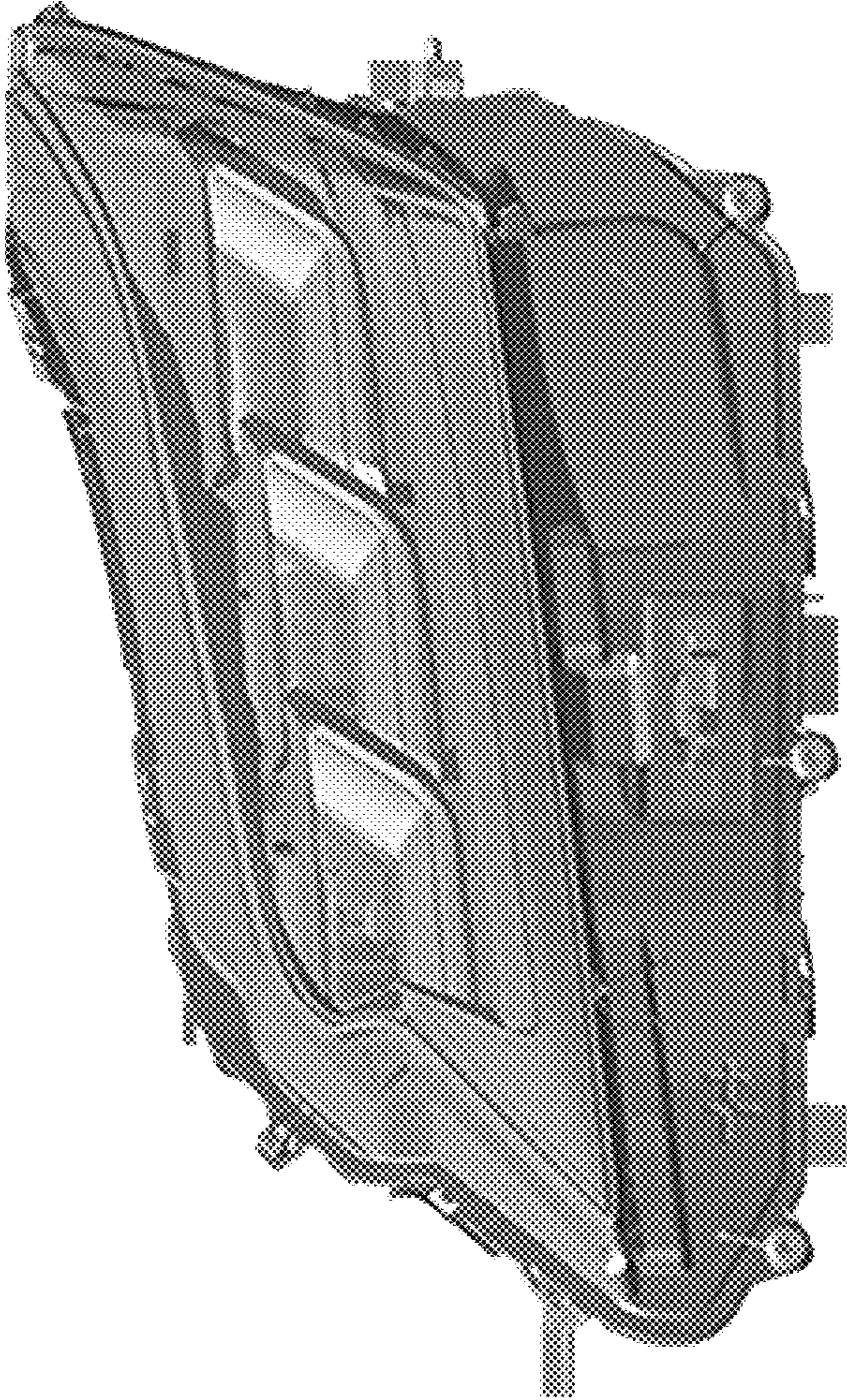


FIG. 2

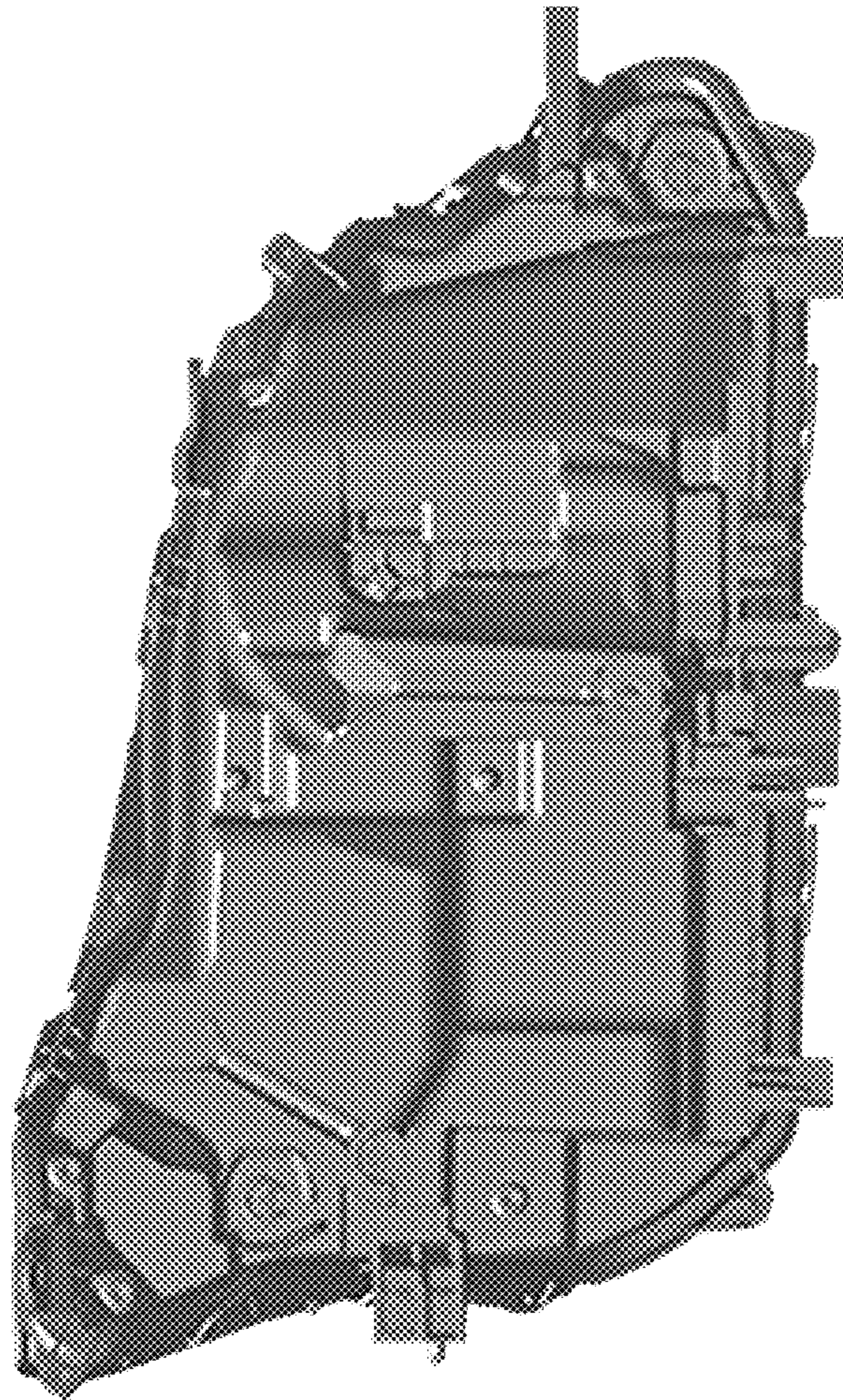


FIG. 3

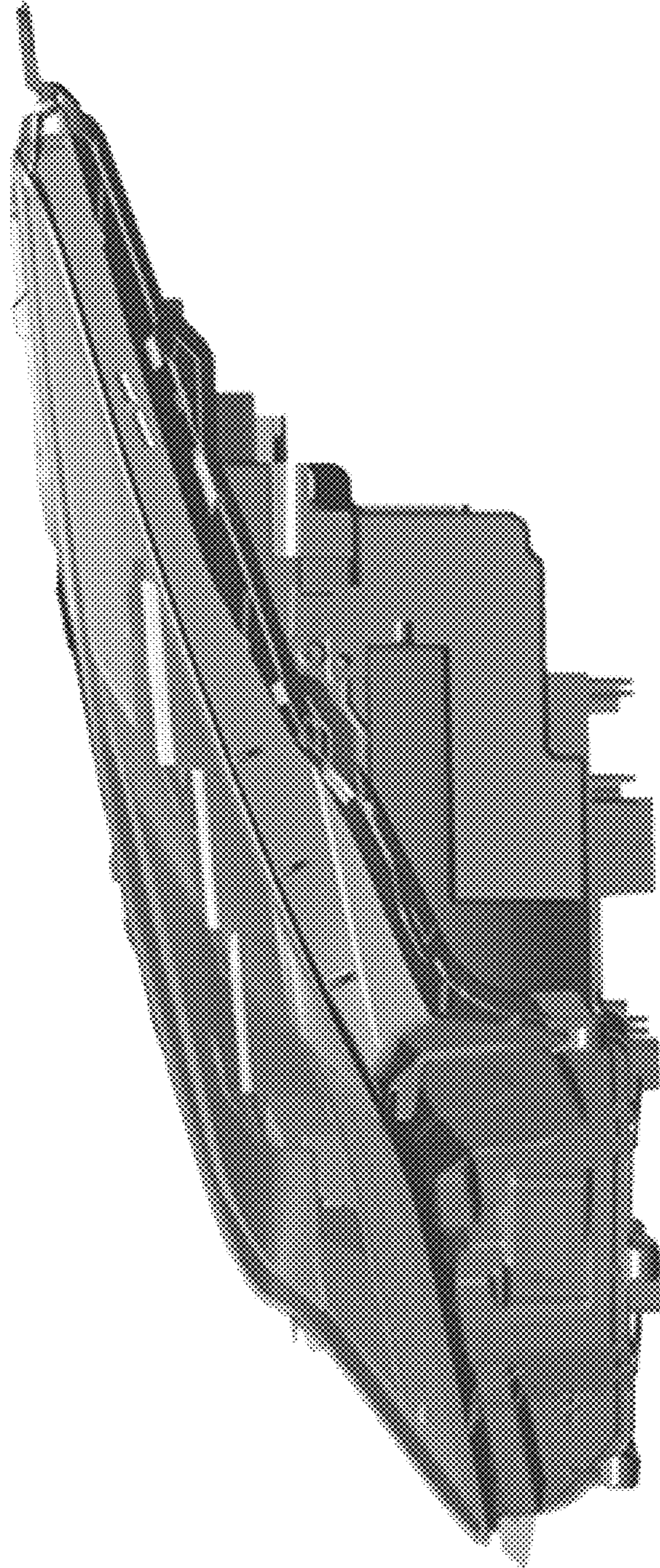


FIG. 4

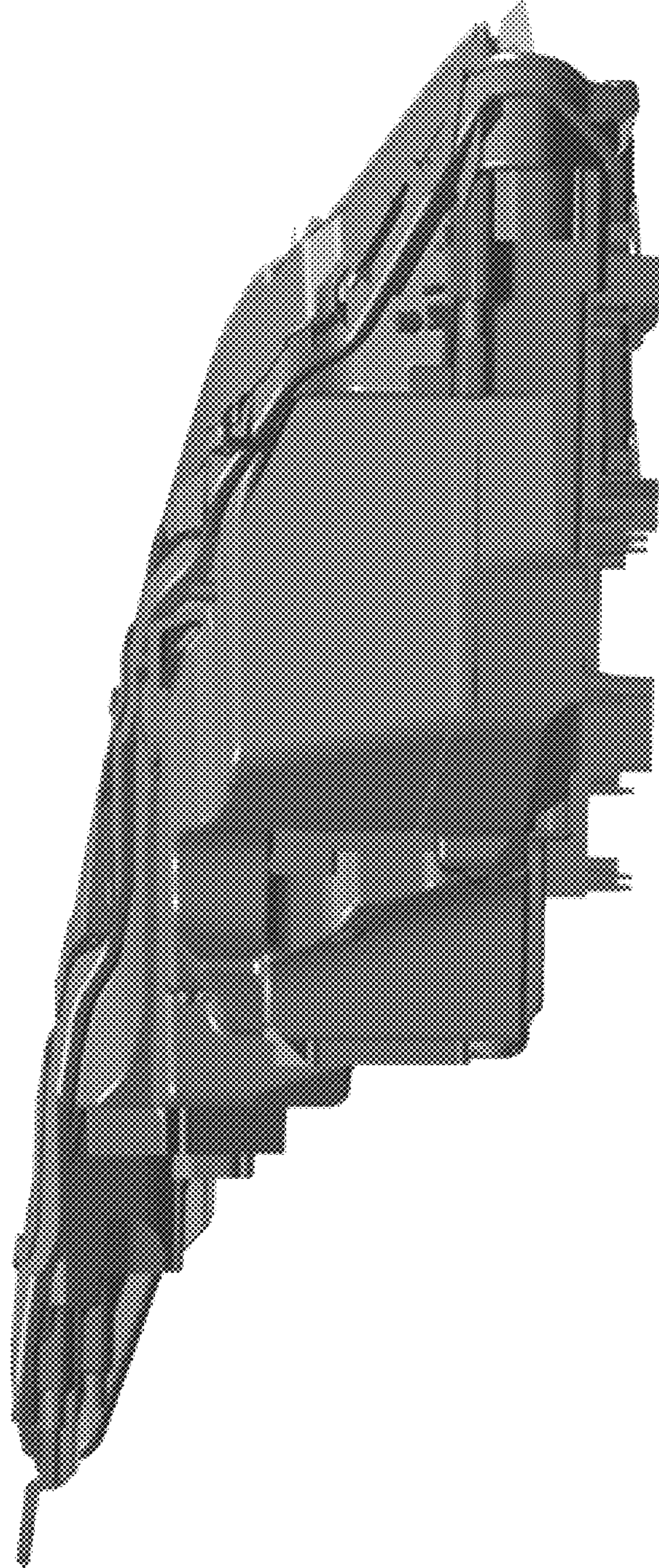


FIG. 5

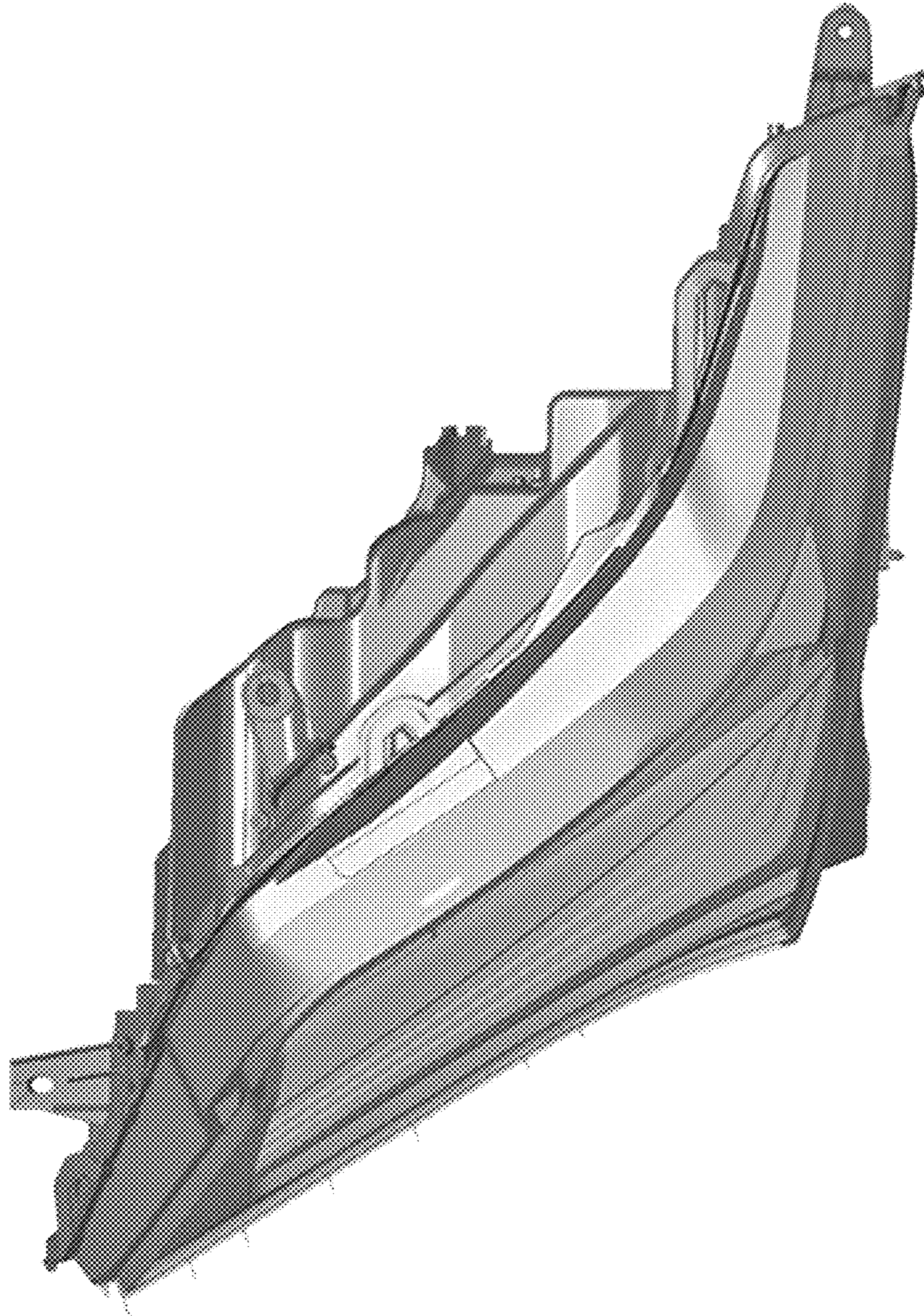


FIG. 6

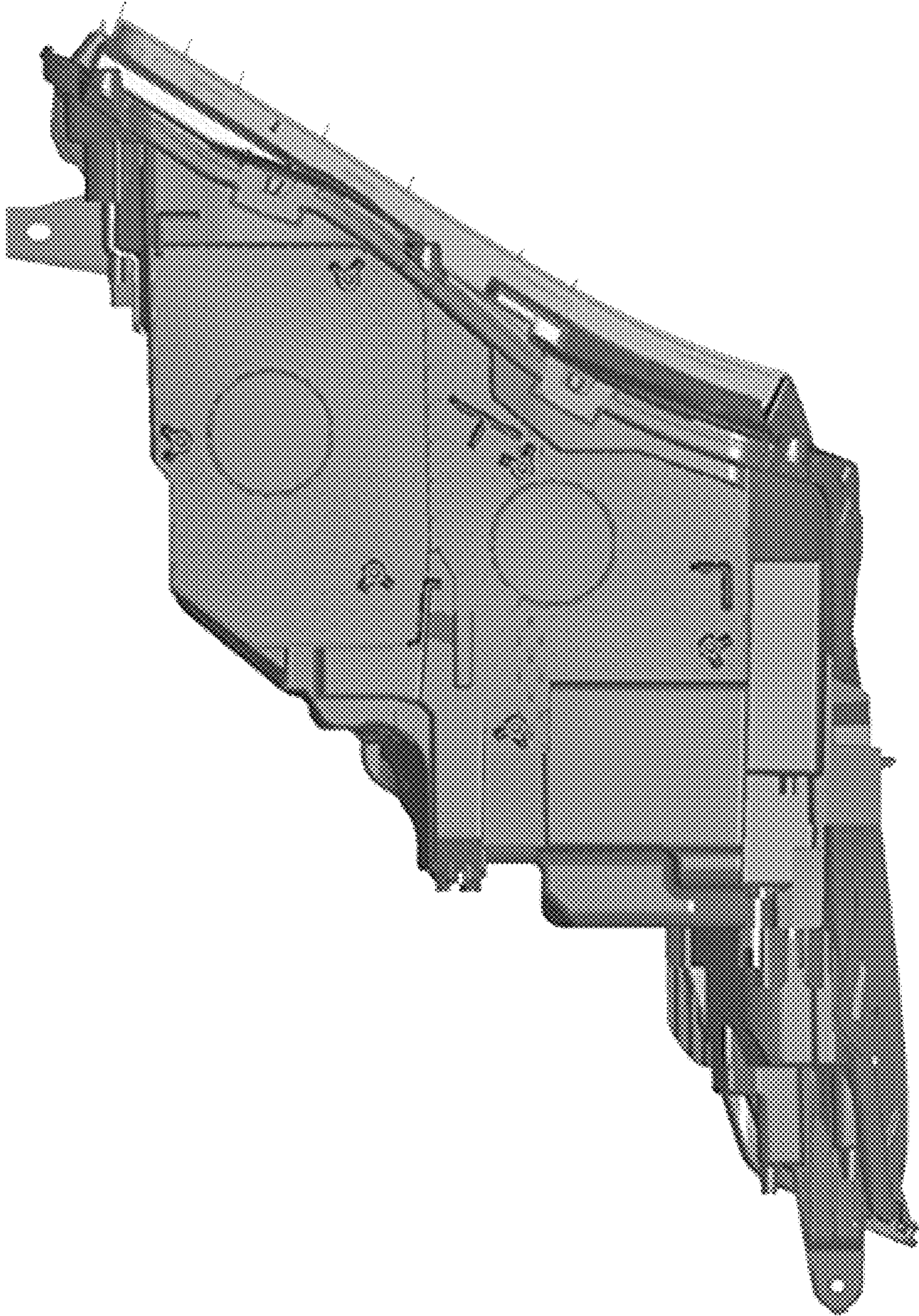


FIG. 7