



US00D773078S

(12) **United States Design Patent** (10) **Patent No.:** **US D773,078 S**
Bora et al. (45) **Date of Patent:** **** Nov. 29, 2016**

(54) **LIGHT BULB**
(71) Applicant: **ILUMI SOLUTIONS, INC.**, Plano, TX (US)
(72) Inventors: **Swapnil Bora**, Plano, TX (US); **Corey Egan**, Dallas, TX (US); **Michael C. Wuensch**, Carrollton, TX (US)
(73) Assignee: **ILUMI SOLUTIONS, INC.**, Plano, TX (US)
(**) Term: **15 Years**
(21) Appl. No.: **29/531,579**
(22) Filed: **Jun. 26, 2015**
(51) **LOC (10) Cl.** **26-04**
(52) **U.S. Cl.**
USPC **D26/2**
(58) **Field of Classification Search**
USPC D26/1-4; 313/313, 315, 316, 317, 318, 313/493; 315/52, 53, 56, 57, 58
CPC F21K 9/13; F21K 9/135; F21K 9/1375; H01J 5/00; H01J 5/48; H01J 5/50; F21V 5/00
See application file for complete search history.

D644,762 S * 9/2011 Murakami D26/2
8,025,417 B2 9/2011 Pohlert et al.
D659,861 S * 5/2012 Yoshinobu D26/2
8,742,694 B2 6/2014 Bora et al.
8,764,242 B2 7/2014 Recker et al.
8,770,771 B2 7/2014 Preta et al.
8,890,435 B2 11/2014 Bora et al.
8,896,218 B2 11/2014 Bora et al.
8,896,232 B2 11/2014 Bora et al.
8,922,126 B2 12/2014 Bora et al.
9,113,528 B2 8/2015 Bora et al.
D742,556 S * 11/2015 Hwang D26/2
D743,586 S * 11/2015 Bosua D26/2
2007/0121319 A1 5/2007 Wolf et al.
2011/0095687 A1 4/2011 Jonsson
2013/0063042 A1 3/2013 Bora et al.
2013/0113291 A1 5/2013 Recker et al.
2013/0249392 A1 9/2013 Kim
2014/0062297 A1 3/2014 Bora et al.

* cited by examiner

Primary Examiner — Marcus Jackson
(74) *Attorney, Agent, or Firm* — Daniel J. Chalker; Edwin S. Flores; Chalker Flores, LLP

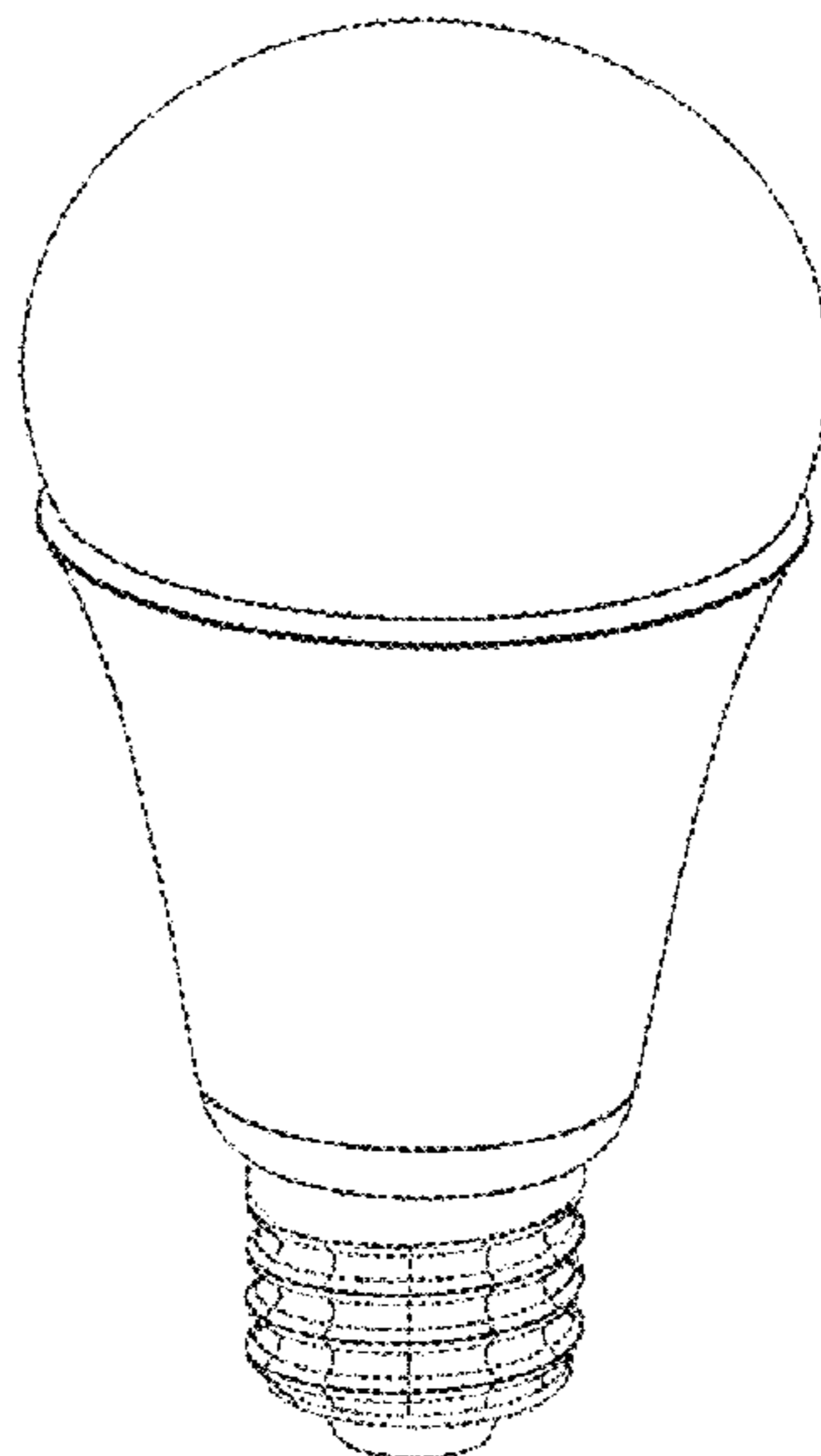
(57) **CLAIM**
The ornamental design for a light bulb, as shown and described.

DESCRIPTION

FIG. 1 is a line drawing of a perspective view of the light bulb;
FIG. 2 is a line drawing of a side view of the light bulb in which all the sides of the light bulb are identical;
FIG. 3 is an image showing a top view of the light bulb;
FIG. 4 is a line drawing of a top view of the light bulb; and,
FIG. 5 is a line drawing of a bottom view of the light bulb.
The broken lines are for illustration only and form no part of the claimed design. The screw-in connector shown in the figures is not part of the claimed design.

1 Claim, 5 Drawing Sheets

(56) **References Cited**
U.S. PATENT DOCUMENTS
6,211,626 B1 4/2001 Lys et al.
6,965,205 B2 11/2005 Piepgras et al.
7,202,613 B2 4/2007 Morgan et al.
7,358,679 B2 4/2008 Lys et al.
7,462,997 B2 12/2008 Mueller et al.
7,659,674 B2 2/2010 Mueller et al.
D614,319 S * 4/2010 Murakami D26/2
7,777,430 B2 8/2010 Catalano et al.
7,845,823 B2 12/2010 Mueller et al.
D635,281 S * 3/2011 Murakami D26/2



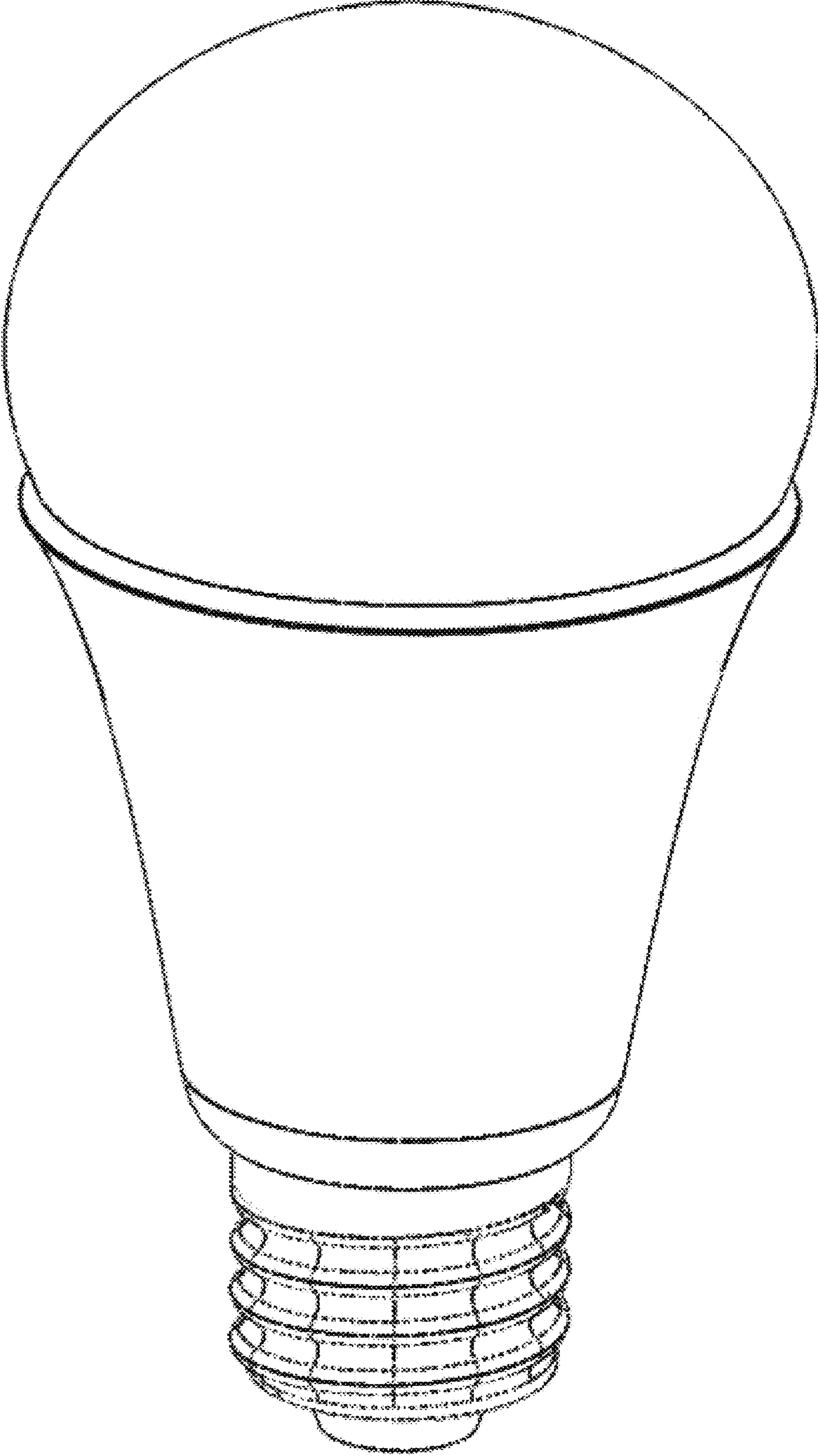


FIG. 1

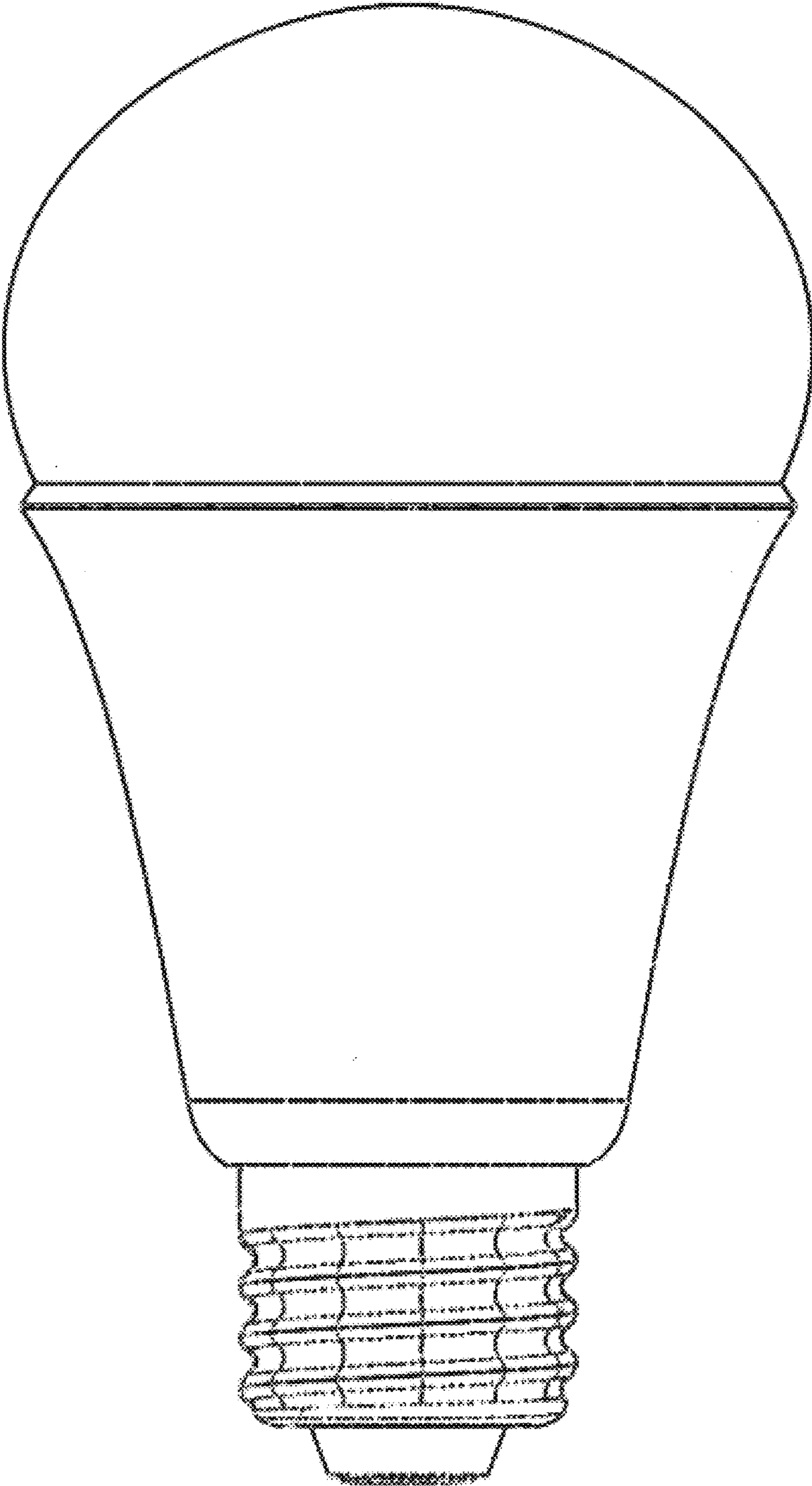


FIG. 2

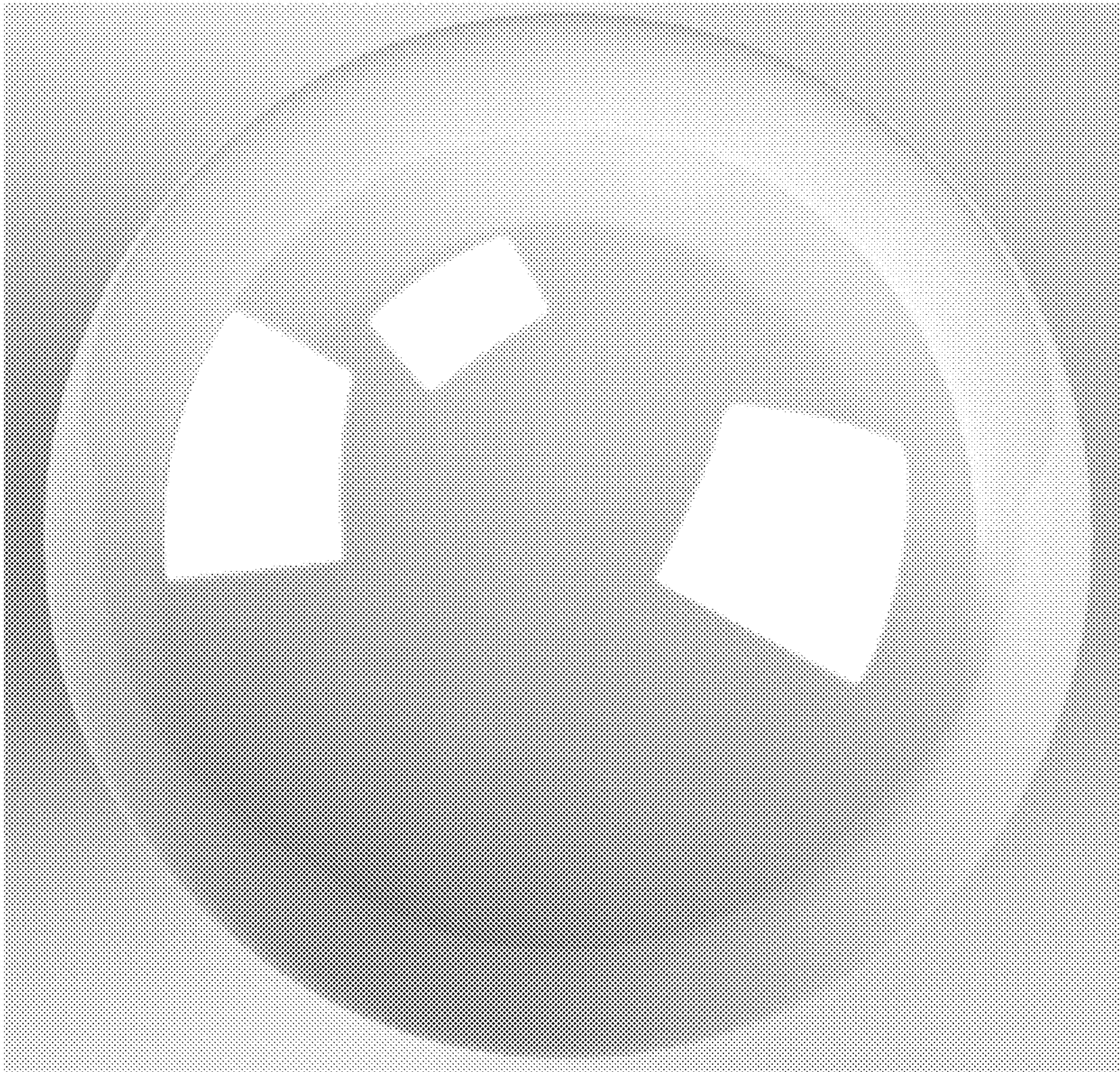


FIG. 3

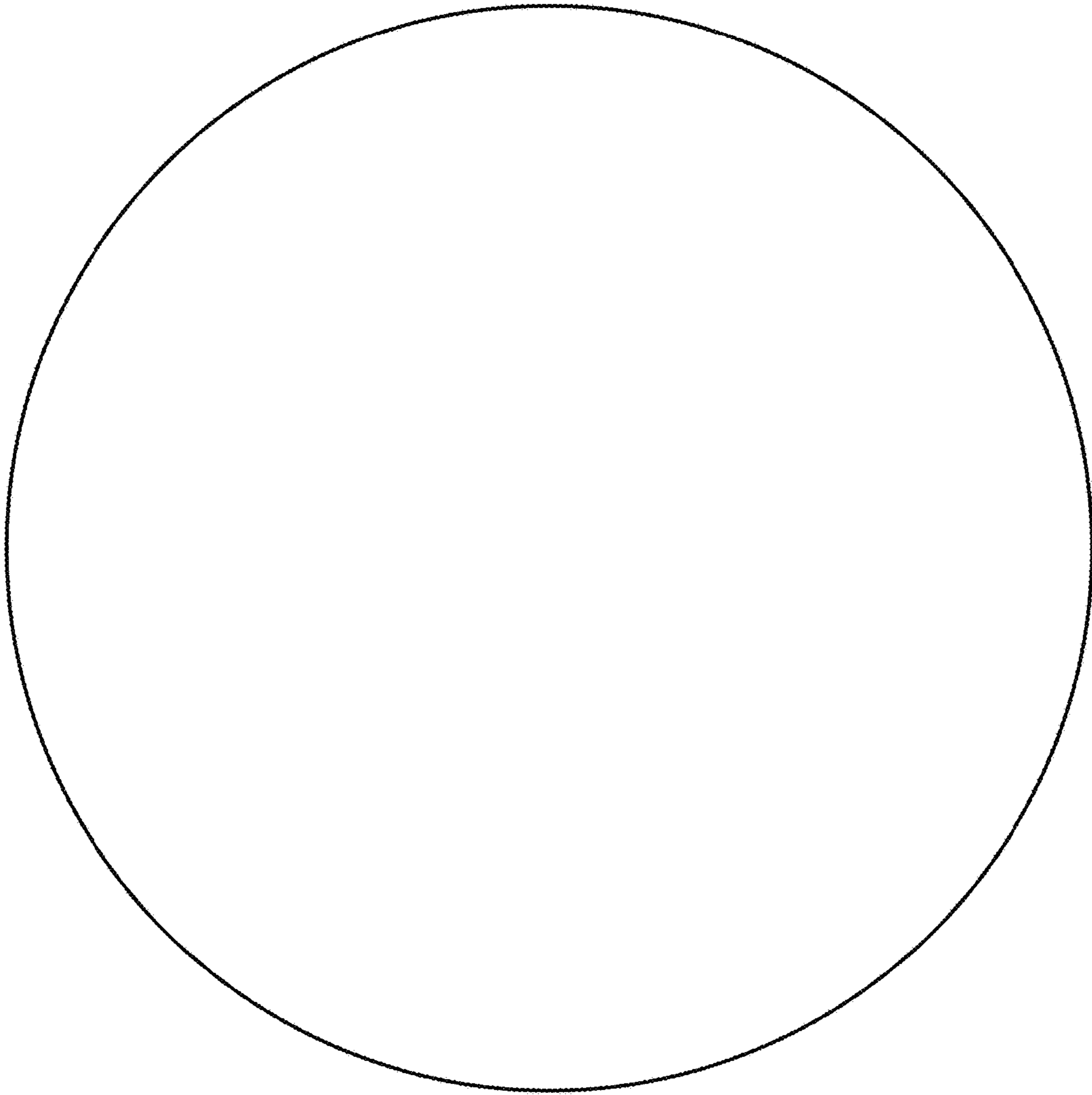


FIG. 4

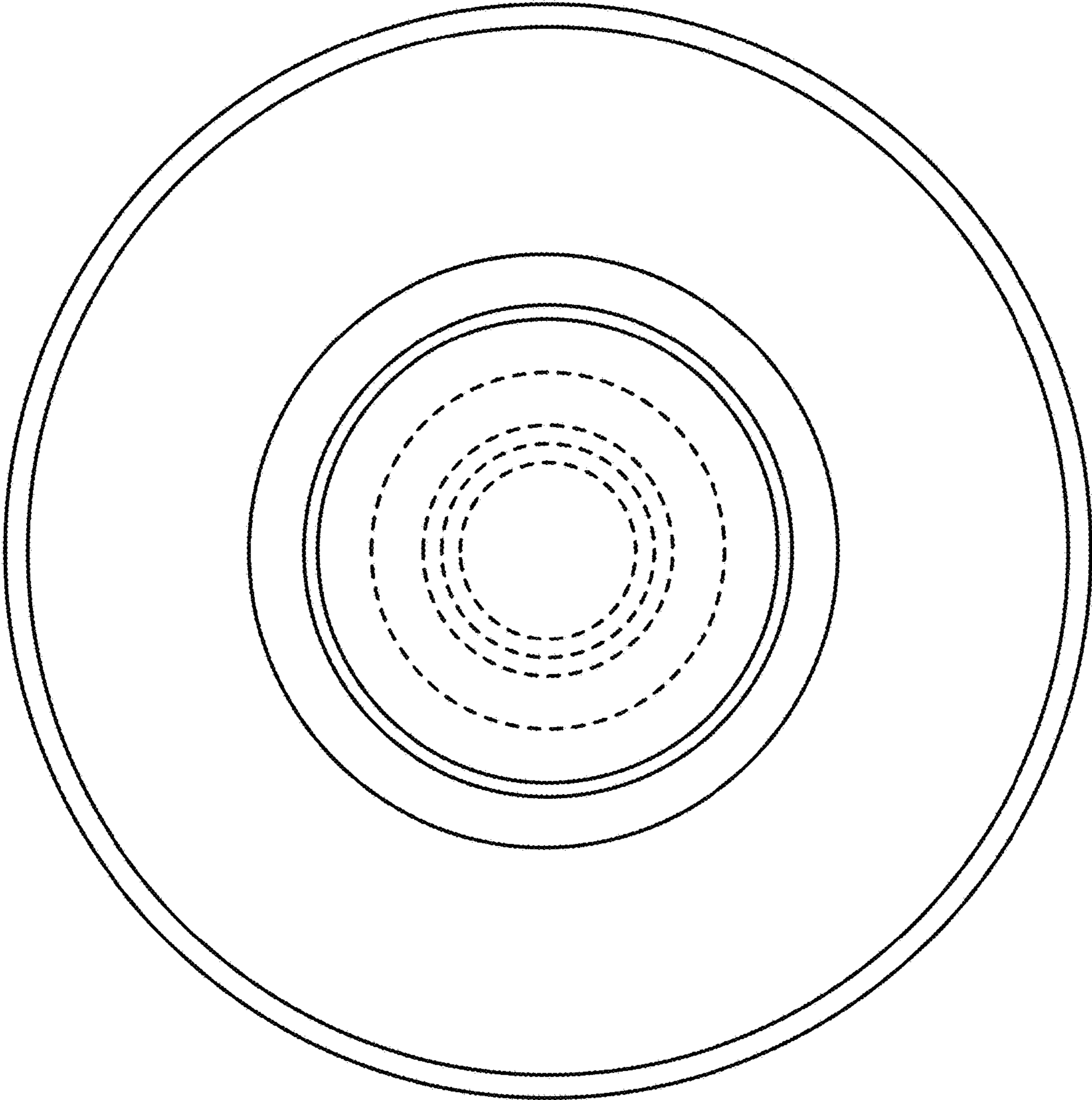


FIG. 5