



US00D773076S

(12) **United States Design Patent** (10) **Patent No.:** **US D773,076 S**
Lee (45) **Date of Patent:** **** Nov. 29, 2016**

(54) **LAMP**
(71) Applicant: **ICEPIPE Corporation**, Seoul (KR)
(72) Inventor: **Dong Ju Lee**, Gyeonggi-do (KR)
(73) Assignee: **ICEPIPE CORPORATION** (KR)
(**) Term: **14 Years**

(21) Appl. No.: **29/522,084**
(22) Filed: **Mar. 27, 2015**
(51) **LOC (10) Cl.** **26-04**
(52) **U.S. Cl.**
USPC **D26/2**
(58) **Field of Classification Search**
USPC D26/1-4, 113, 118; 313/313, 315, 316,
313/317, 318, 493; 315/52, 53, 56, 57, 58
CPC F21K 9/135; F21K 9/1375; F21K 9/13;
F21K 9/00
See application file for complete search history.

(56) **References Cited**
U.S. PATENT DOCUMENTS
D610,278 S * 2/2010 Lin D26/2
D616,574 S * 5/2010 Chen D26/2
D616,575 S * 5/2010 Chen D26/2

D623,776 S * 9/2010 Moon D26/2
D663,869 S * 7/2012 Choi D26/2
D684,708 S * 6/2013 Yu D26/2
D685,115 S * 6/2013 Hwu D26/2
D695,430 S * 12/2013 Chen D26/2
D715,463 S * 10/2014 Jun D26/2
D716,970 S * 11/2014 Wei D26/2
9,062,830 B2 * 6/2015 Le F21V 3/00

* cited by examiner

Primary Examiner — Ian Simmons
Assistant Examiner — Harold Blackwell, II
(74) *Attorney, Agent, or Firm* — Fitch Even Tabin & Flannery, LLP

(57) **CLAIM**
I claim the ornamental design for a lamp, as shown and described.

DESCRIPTION

FIG. 1 is a perspective view of a lamp showing my new design;
FIG. 2 is a front elevational view thereof;
FIG. 3 is a rear elevational view thereof;
FIG. 4 is a left side elevational view thereof;
FIG. 5 is a right side elevational view thereof;
FIG. 6 is a top plan view thereof; and,
FIG. 7 is a bottom plan view thereof.
The broken lines in the FIG. 7 drawing illustrate portions of the lamp which form no part of the claimed design.

1 Claim, 7 Drawing Sheets

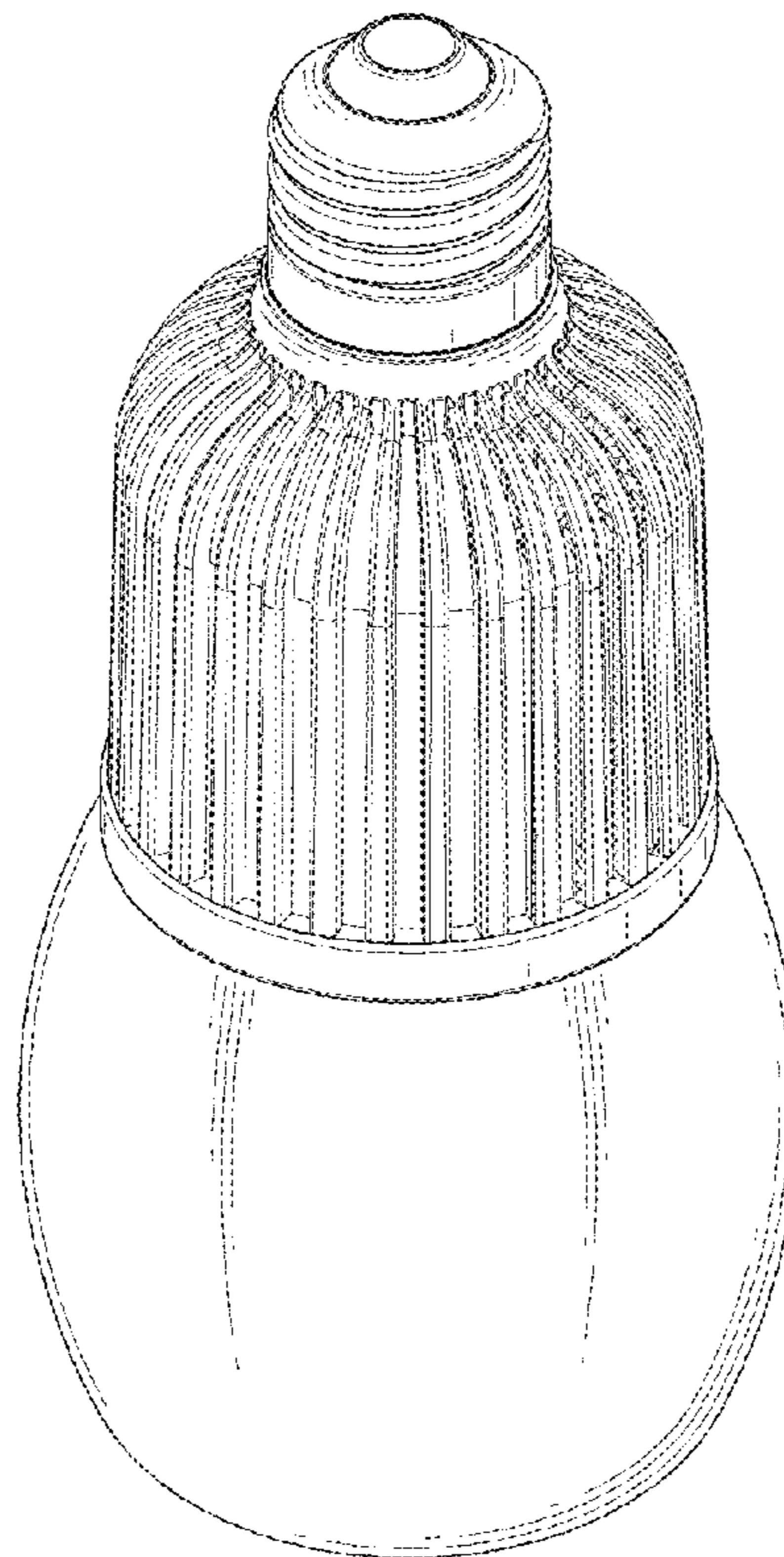


FIG. 1

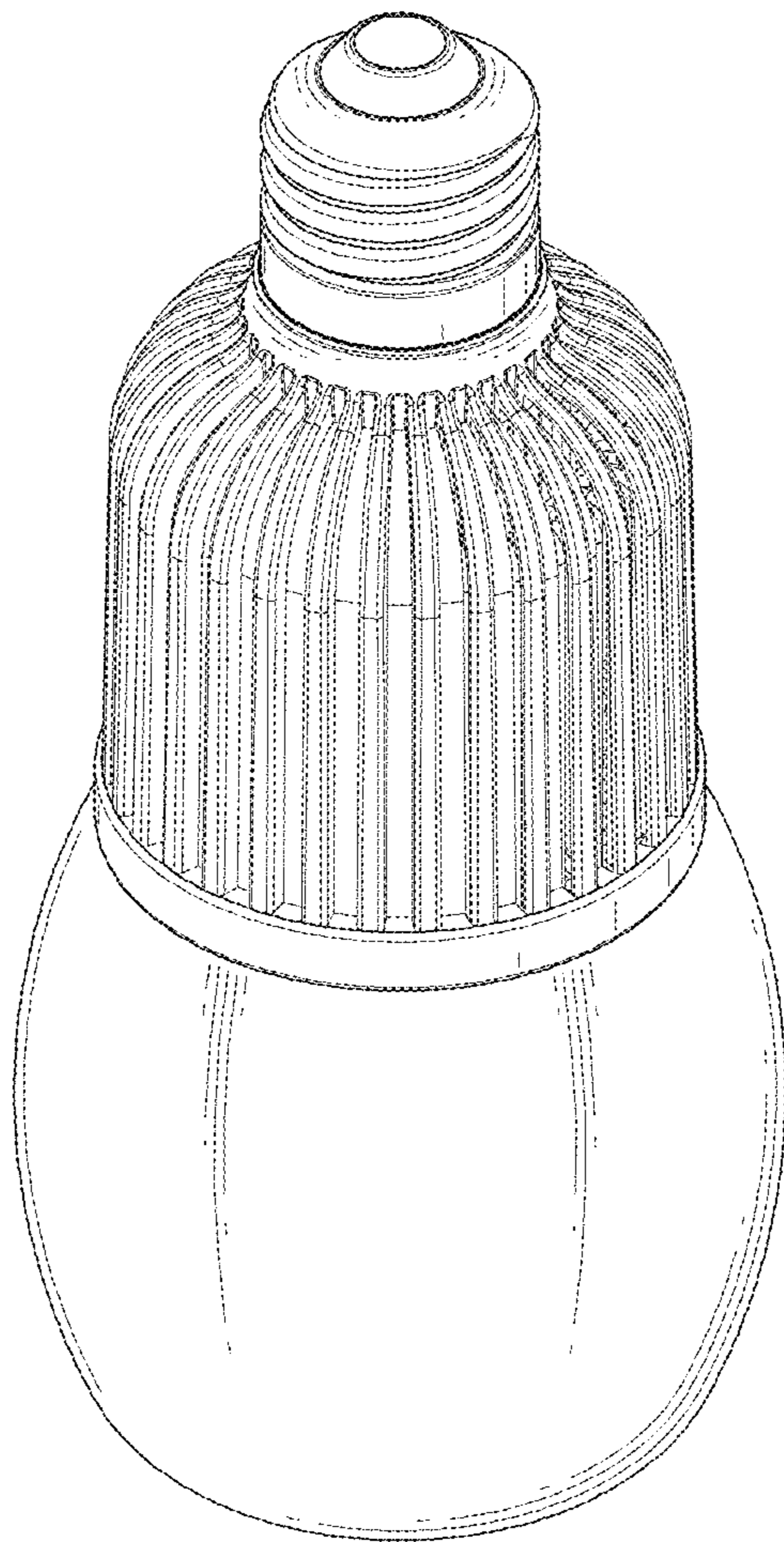


FIG. 2

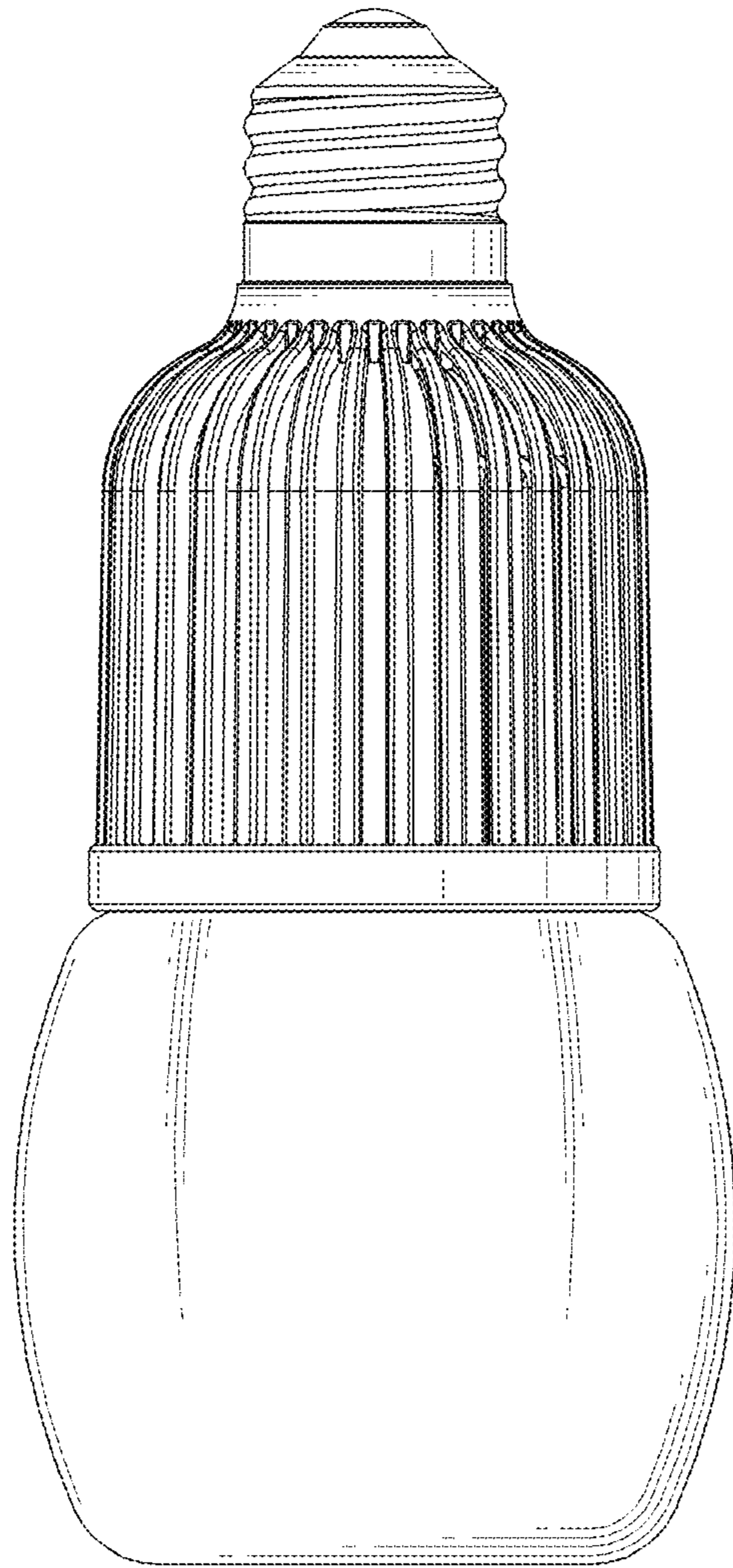


FIG. 3

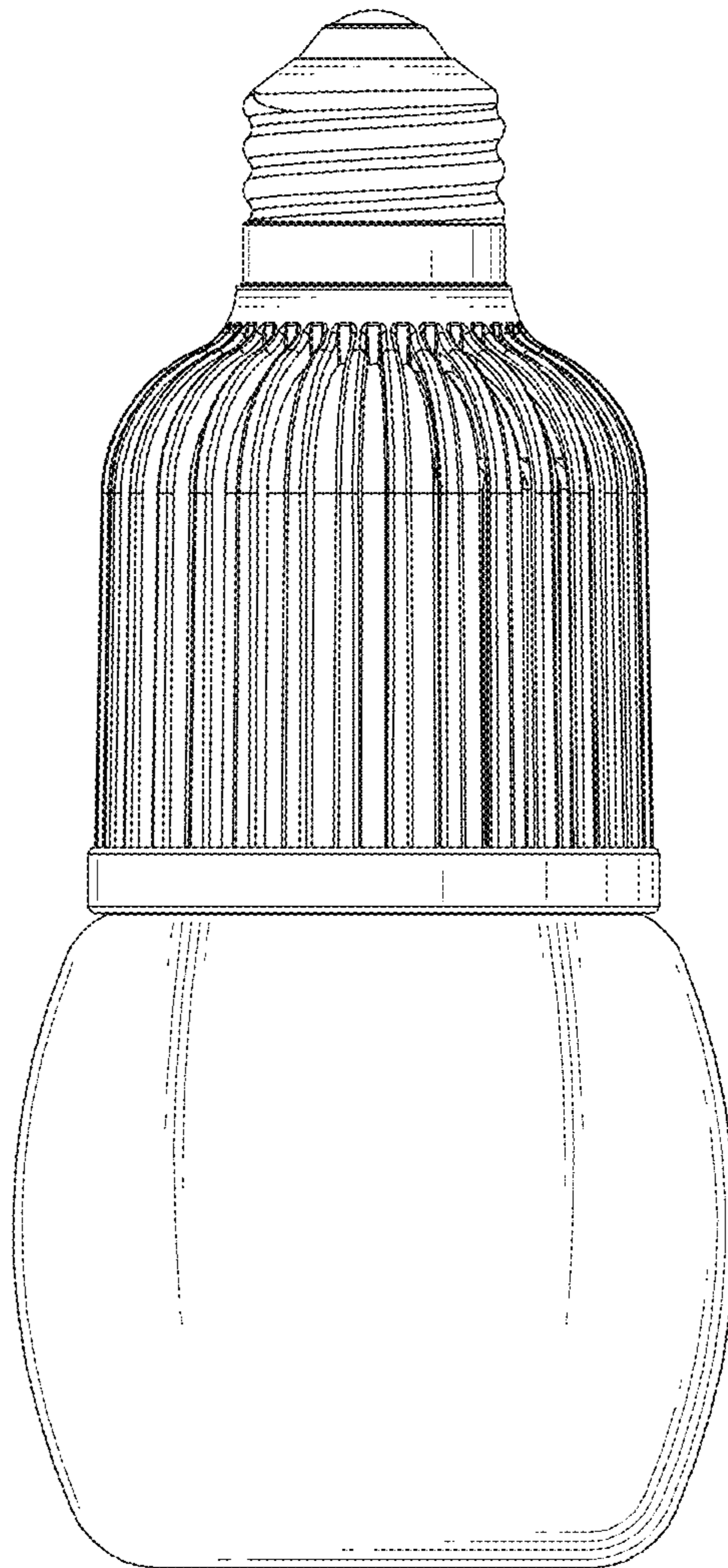


FIG. 4

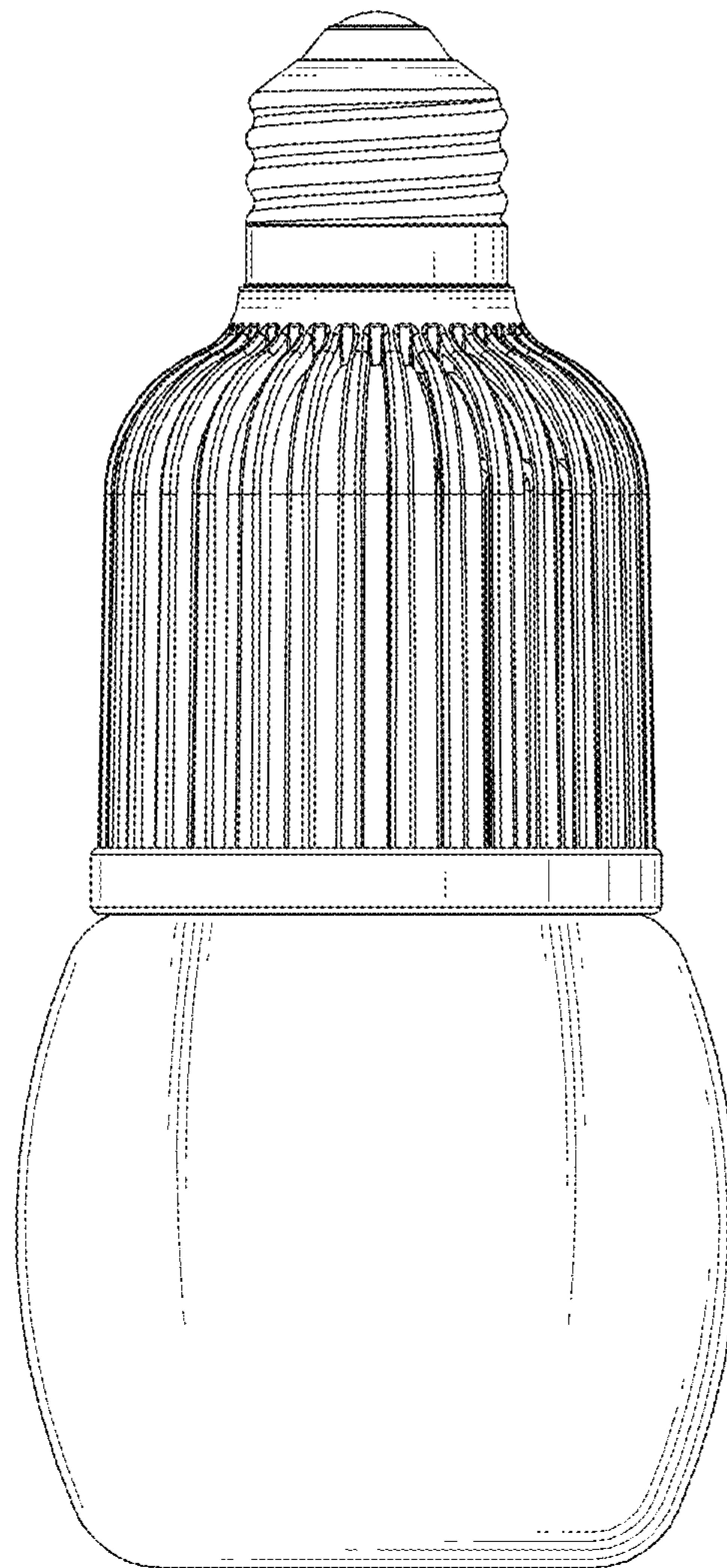


FIG. 5

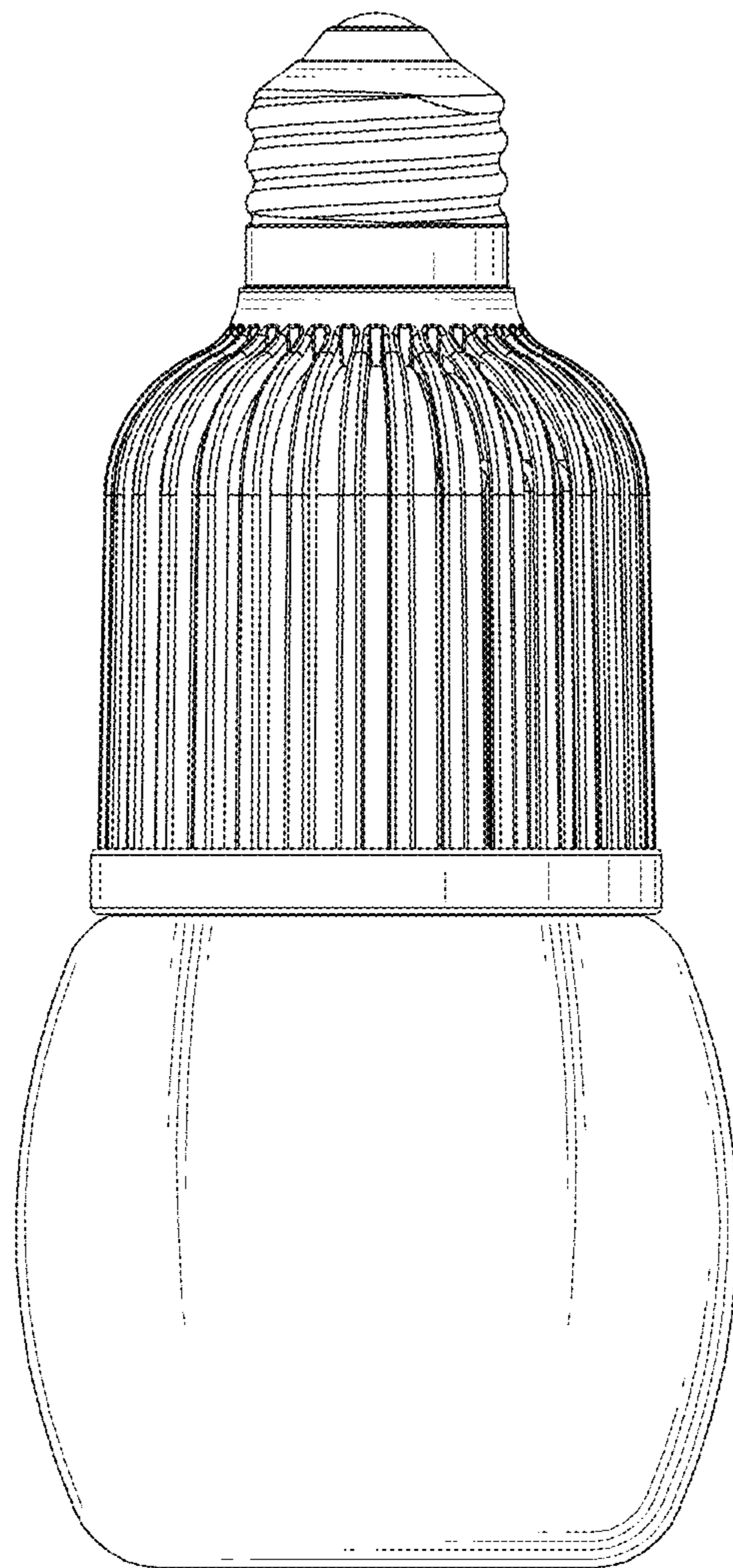


FIG. 6

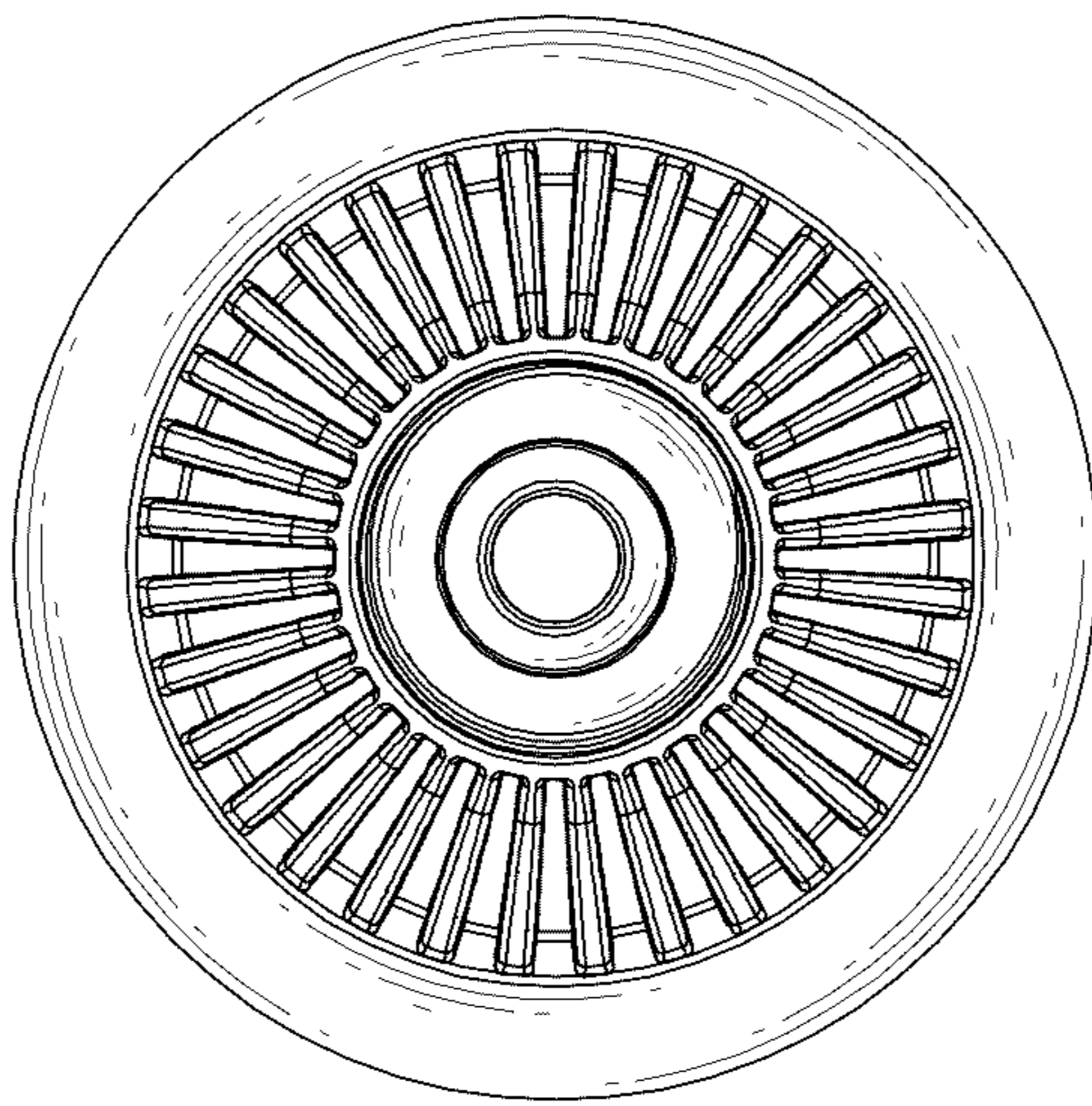


FIG. 7

