



US00D773074S

(12) **United States Design Patent** (10) **Patent No.:** **US D773,074 S**
Amrine et al. (45) **Date of Patent:** **** Nov. 29, 2016**

(54) **LAWN EDGING**

FOREIGN PATENT DOCUMENTS

(71) Applicant: **Dimex, LLC**, Marietta, OH (US)

GB 480927 A 3/1938
GB 2369979 A 6/2002

(72) Inventors: **Pat Amrine**, Marietta, OH (US);
Darren Bolen, Sardis, OH (US);
Forrest Adam Sanders, Marietta, OH (US);
David T. Wesel, Marietta, OH (US)

(Continued)

(73) Assignee: **Dimex, LLC**, Marietta, OH (US)

OTHER PUBLICATIONS

(**) Term: **15 Years**

Valley View Specialties Co., Diamond-Lok Paver/Briick Edging,
Pre Apr. 1996. 1pg.

(21) Appl. No.: **29/538,104**

(Continued)

(22) Filed: **Sep. 1, 2015**

Primary Examiner — Eric Goodman
Assistant Examiner — Amy Wierenga
(74) *Attorney, Agent, or Firm* — Wood Herron & Evans
LLP

Related U.S. Application Data

(60) Continuation of application No. 29/522,033, filed on
Mar. 27, 2015, now Pat. No. Des. 748,823, which is
a division of application No. 29/464,683, filed on
Aug. 20, 2013, now Pat. No. Des. 733,936,
application No. 29/538,104, which is a continuation
of application No. 29/521,899, filed on Mar. 26, 2015,
now Pat. No. Des. 748,822.

(57) **CLAIM**

The ornamental design for a lawn edging, as shown and
described.

(51) **LOC (10) Cl.** **25-01**

DESCRIPTION

(52) **U.S. Cl.**
USPC **D25/164**

(58) **Field of Classification Search**
USPC D25/136, 138, 164
CPC A01G 1/08; E01F 9/053; E01C 11/08;
E01C 11/22

See application file for complete search history.

FIG. 1 is a perspective view of a lawn edging showing our
new design;
FIG. 2 is a top plan view thereof;
FIG. 3 is a bottom plan view thereof;
FIG. 4 is a left side elevational view thereof with the right
side elevational view thereof being a mirror image;
FIG. 5 is a front elevational view thereof;
FIG. 6 is a rear elevational view thereof; and,
FIG. 7 is a top plan view shown in a “U” configuration.
The broken lines in the drawings depict portions of the
article that form no part of the claim.
FIGS. 1-3 and 5-6 are shown with a symbolic break in their
length. The appearance of any portion of the article between
the break lines forms no part of the claimed design.

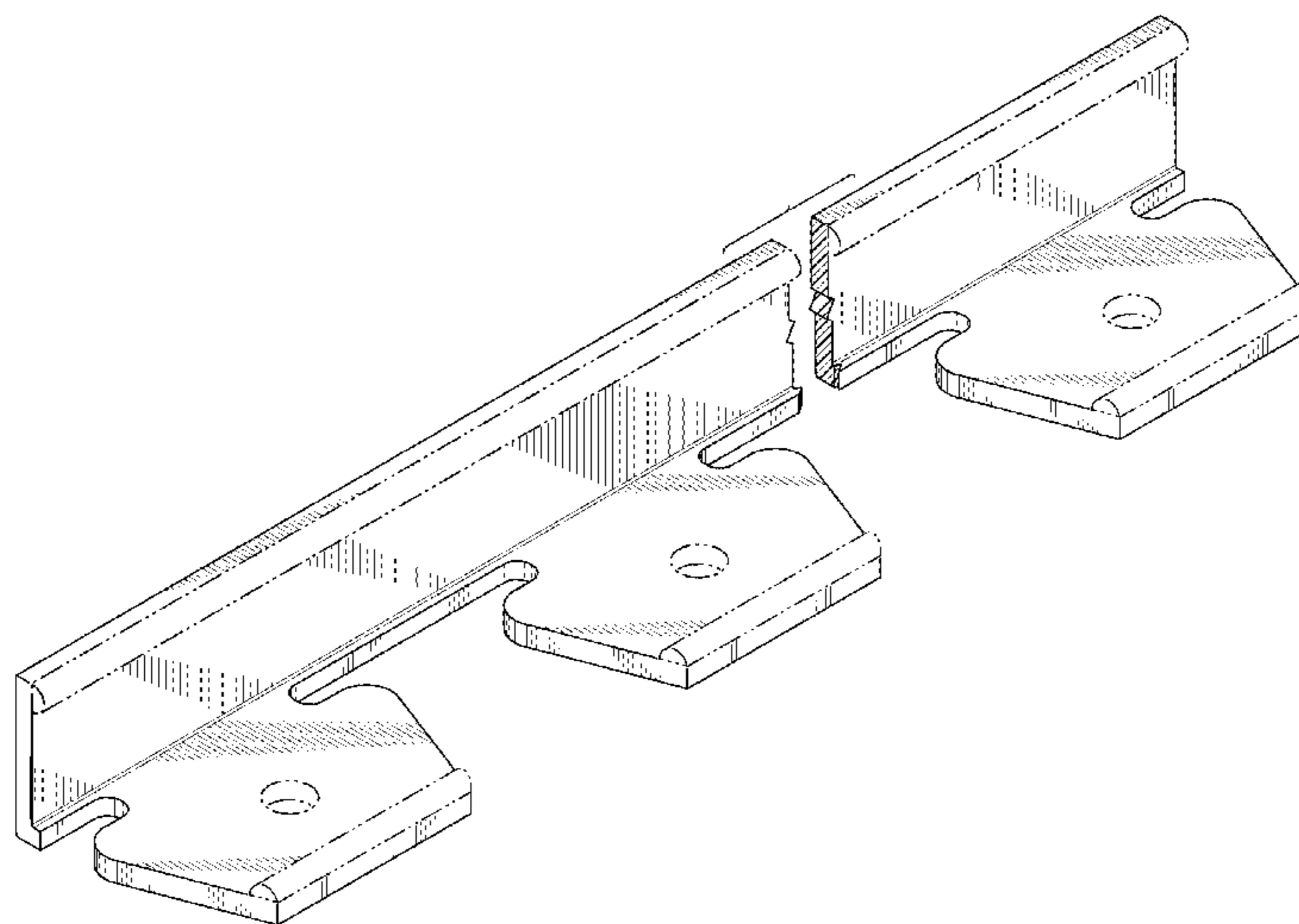
(56) **References Cited**

U.S. PATENT DOCUMENTS

268,441 A 12/1882 Tunica
457,886 A 8/1891 Landis
992,529 A 5/1911 Abraham
1,666,613 A 4/1928 Woods

(Continued)

1 Claim, 5 Drawing Sheets



(56)

References Cited

U.S. PATENT DOCUMENTS

1,997,876 A 4/1935 Sheldon
 2,163,613 A 6/1939 Manofsky
 2,164,681 A 7/1939 Fould
 2,193,425 A 3/1940 Lake
 D130,420 S 11/1941 Schlatter
 D151,022 S 9/1948 Weber et al.
 D178,659 S 9/1956 Hield
 2,809,809 A 10/1957 Johnston
 2,877,600 A 3/1959 Slate
 D185,236 S 5/1959 Reese
 3,170,201 A 2/1965 Nofziger
 3,222,841 A 12/1965 Lipof
 3,314,193 A 4/1967 Chancellor
 3,332,197 A 7/1967 Hinkle
 3,378,949 A 4/1968 Dorris
 3,484,989 A 12/1969 Lazinsky
 3,520,082 A 7/1970 Smith
 3,604,164 A 9/1971 Mason
 3,619,944 A 11/1971 Matvey
 3,728,837 A 4/1973 Kiefer, Jr.
 3,788,001 A 1/1974 Balfanz, Jr.
 3,815,311 A 6/1974 Nisula et al.
 3,957,383 A 5/1976 Fredericks
 4,182,072 A 1/1980 Much
 4,202,145 A 5/1980 Coulter et al.
 4,349,596 A 9/1982 Hendrix
 4,628,632 A 12/1986 Zwier
 4,744,194 A 5/1988 Yasuyoshi
 4,761,923 A 9/1988 Reum et al.
 4,809,459 A 3/1989 Brylla et al.
 4,824,068 A 4/1989 Ferland
 4,858,379 A 8/1989 West
 4,863,307 A 9/1989 Jones
 4,905,442 A 3/1990 Daniels
 4,907,783 A 3/1990 Fisk et al.
 4,987,717 A 1/1991 Dameron, Jr.
 5,020,272 A 6/1991 Herrema et al.
 5,048,241 A 9/1991 Gavin, Jr.
 5,117,583 A 6/1992 Reum
 D329,707 S 9/1992 Embree et al.
 D329,709 S 9/1992 Strobl, Jr.
 5,152,507 A 10/1992 Lee
 5,157,867 A 10/1992 Fritch
 5,212,917 A 5/1993 Kurtz et al.
 5,240,343 A 8/1993 Strobl, Jr.
 D339,199 S 9/1993 Rynberk
 D344,810 S * 3/1994 Nelson D25/164
 5,301,461 A 4/1994 Zwier
 D353,214 S * 12/1994 DeGroot D25/164
 5,375,941 A 12/1994 Strobl, Jr.
 5,379,546 A 1/1995 Popp
 5,421,118 A 6/1995 Bauer
 5,442,877 A 8/1995 Lindhal
 D363,788 S 10/1995 Caley
 D366,191 S 1/1996 Gay
 5,501,036 A 3/1996 Torp, Jr. et al.
 D368,969 S 4/1996 Davies
 D372,547 S 8/1996 Sjodin
 D373,205 S 8/1996 Caley
 5,544,445 A 8/1996 Mantilla
 D378,857 S 4/1997 Hale
 5,640,801 A 6/1997 Rynberk
 D385,050 S * 10/1997 Gay D25/164

D385,635 S * 10/1997 Nebelsieck D25/164
 D393,164 S 4/1998 Russell et al.
 5,771,643 A 6/1998 Parker
 5,772,357 A 6/1998 Evans
 D400,985 S 11/1998 Risi
 D408,558 S 4/1999 Levy
 5,930,947 A 8/1999 Eckhoff
 5,941,018 A 8/1999 Herrema
 6,012,254 A 1/2000 Gaston
 6,030,144 A 2/2000 Cannella
 6,038,811 A 3/2000 Conway
 D424,714 S 5/2000 Hale
 6,085,458 A 7/2000 Gau
 6,099,201 A 8/2000 Abbrancati
 6,108,969 A 8/2000 Danna et al.
 D430,682 S * 9/2000 van Rhiene D25/164
 6,226,934 B1 5/2001 Gaston
 6,324,782 B1 12/2001 Gaston
 6,324,783 B1 12/2001 McIntyre et al.
 D453,578 S 2/2002 Olson
 6,345,465 B1 2/2002 Allen et al.
 6,379,078 B1 4/2002 Zwier
 D458,393 S * 6/2002 Conde D25/164
 D462,788 S 9/2002 Thornton et al.
 D463,581 S 9/2002 Mann
 6,449,897 B1 9/2002 Gaston
 6,485,226 B1 11/2002 Harger
 D467,015 S 12/2002 O'Brien
 6,568,126 B2 5/2003 Womack
 6,619,565 B1 9/2003 Abbott
 6,629,383 B2 10/2003 Allen et al.
 D489,465 S 5/2004 Allsopp
 6,754,989 B2 6/2004 Eicher
 6,779,297 B2 8/2004 Conde
 D524,953 S * 7/2006 Richmond D25/164
 D541,952 S 5/2007 Keeley et al.
 D543,286 S 5/2007 Keeley et al.
 D548,368 S 8/2007 Hale et al.
 D554,276 S * 10/2007 Lu D25/164
 D586,005 S 2/2009 Schumaker et al.
 D586,926 S * 2/2009 Orton D25/119
 D595,429 S 6/2009 Orton
 D600,822 S * 9/2009 Coleman, Jr. D25/113
 D606,670 S 12/2009 Keeley
 D612,072 S 3/2010 Keeley
 D654,191 S 2/2012 Wink
 D733,936 S * 7/2015 Amrine D25/119
 D748,822 S * 2/2016 Amrine D25/119
 D748,823 S * 2/2016 Amrine D25/119
 2002/0139045 A1 10/2002 Womack
 2003/0188478 A1 10/2003 Womack

FOREIGN PATENT DOCUMENTS

JP 7255277 10/1995
 JP 2002253060 A 9/2002
 JP 3490497 B2 1/2004

OTHER PUBLICATIONS

Permaloc, Structure Edge Interlocking Snap-down Splicing System, Pre Apr. 1996.
 Valley View Industries, 2015 Retail Catalog, Independent Garden Centers/Hardware/Regional Merchants, 11 pgs., Apr. 27, 2015.

* cited by examiner

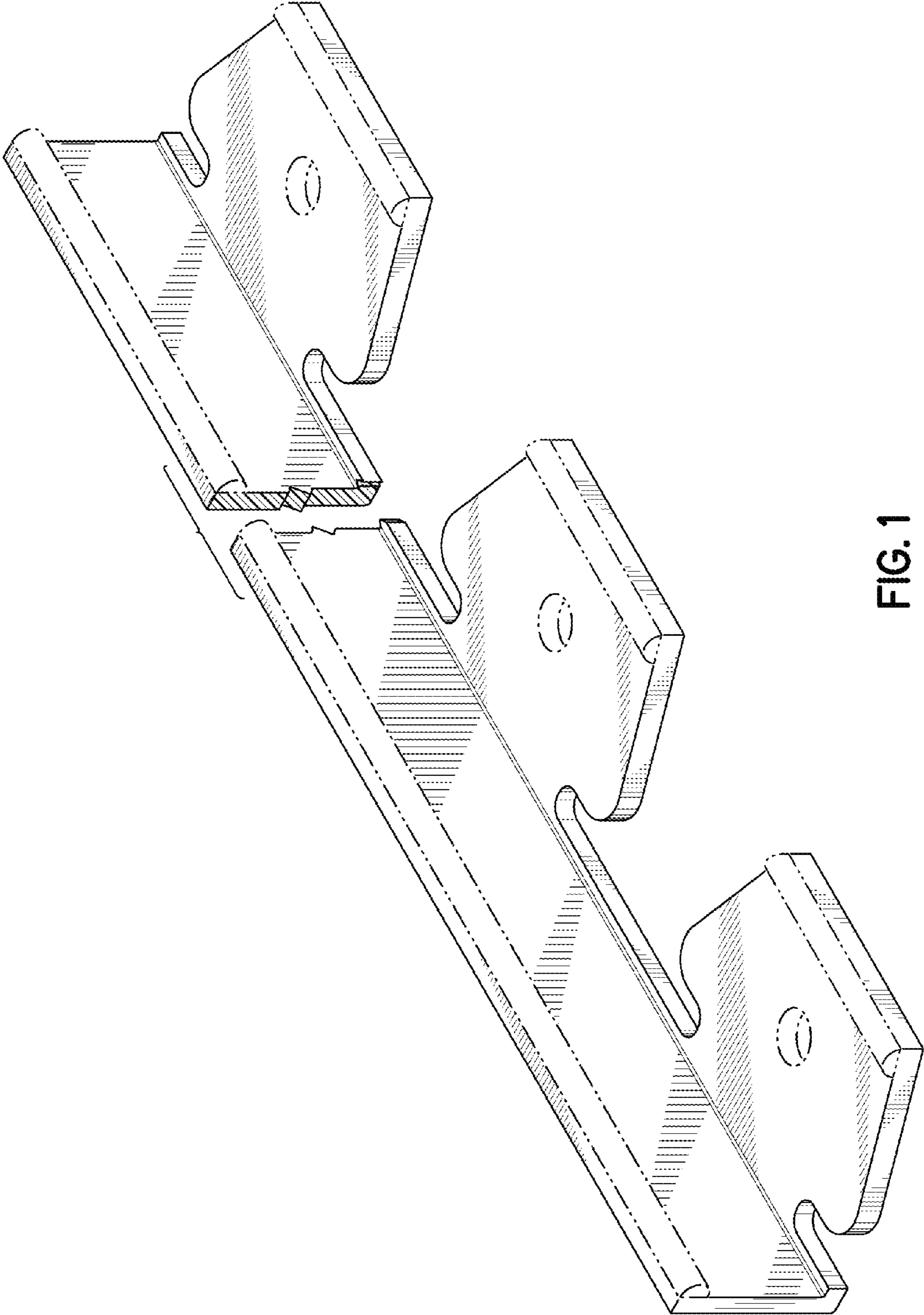


FIG. 1

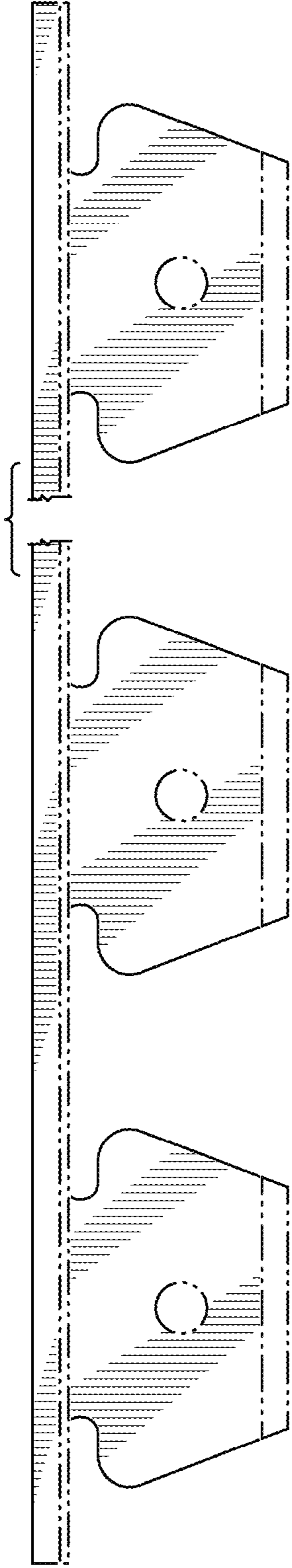


FIG. 2

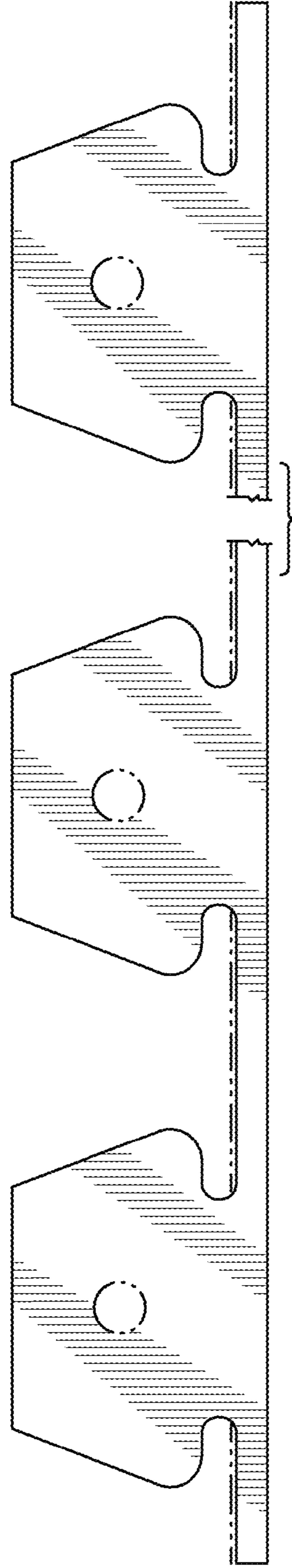


FIG. 3

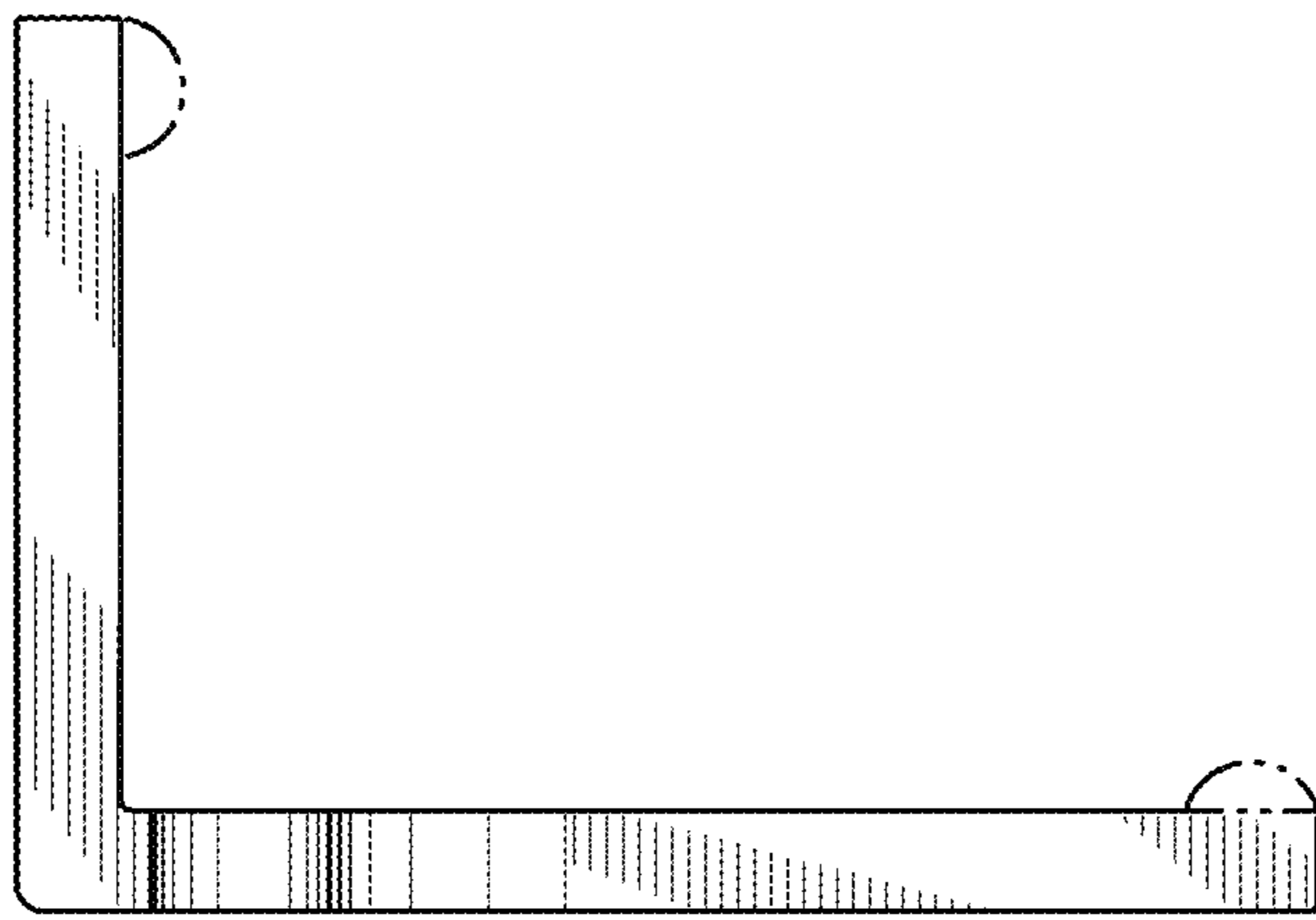


FIG. 4

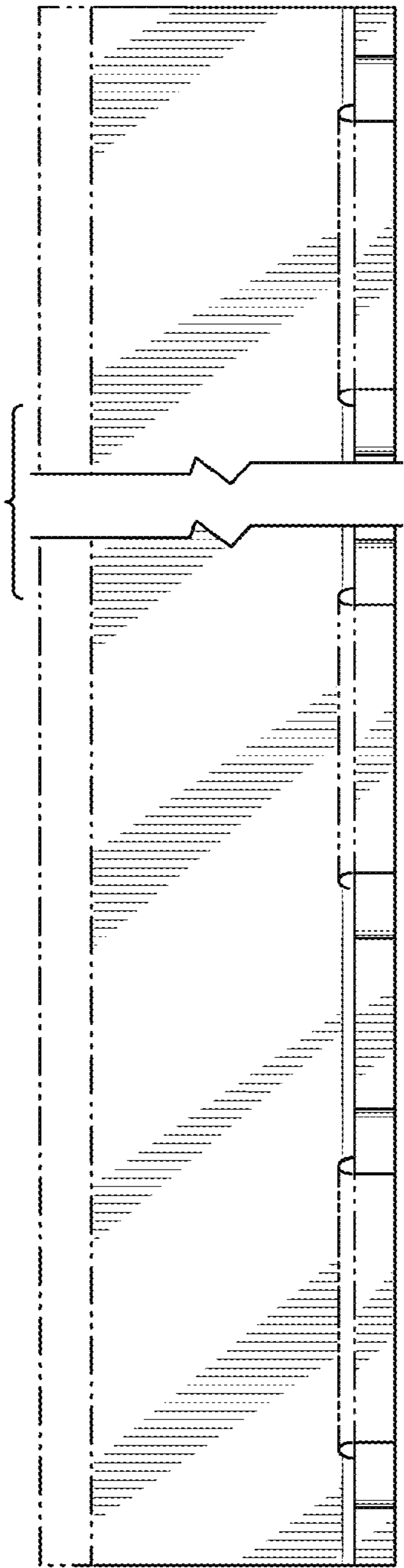


FIG. 5

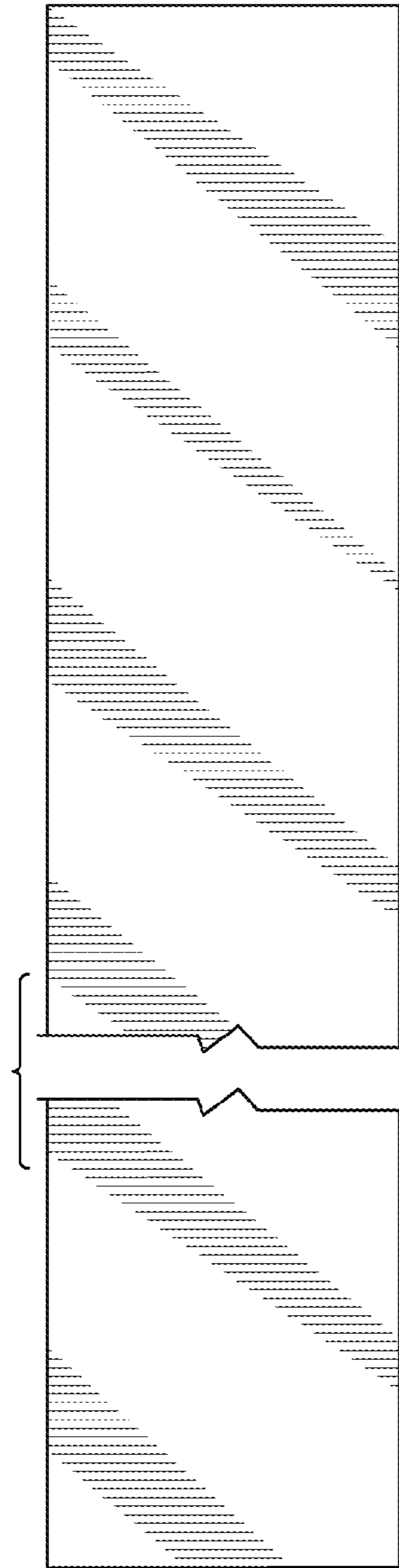


FIG. 6

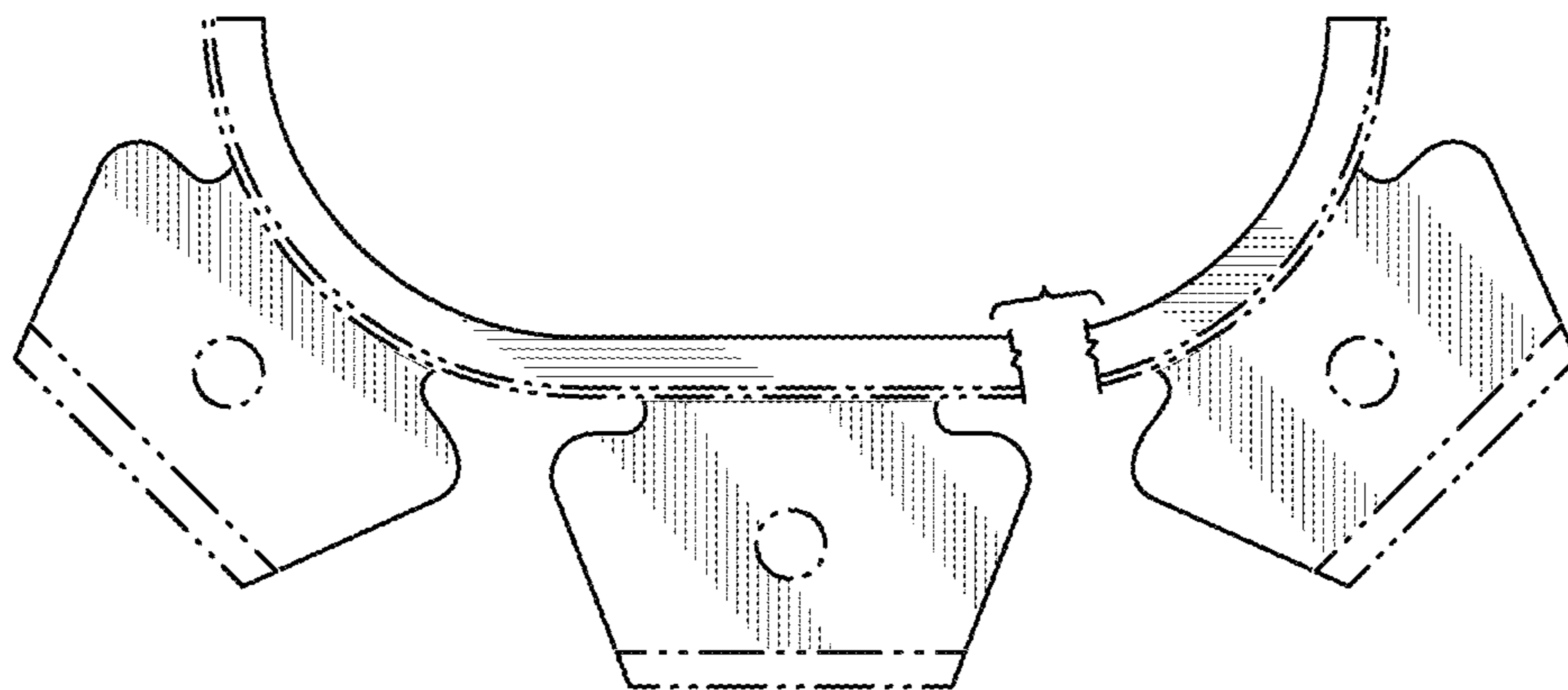


FIG. 7