



US00D773070S

(12) **United States Design Patent**
Porreca et al.

(10) **Patent No.:** **US D773,070 S**

(45) **Date of Patent:** **** Nov. 29, 2016**

(54) **DEVICE FOR BARCODING INDIVIDUAL WELLS AND VESSELS**

(71) Applicant: **Good Start Genetics, Inc.**, Cambridge, MA (US)

(72) Inventors: **Gregory Porreca**, Cambridge, MA (US); **Mark Umbarger**, Brookline, MA (US); **Athurva Gore**, Cambridge, MA (US)

(73) Assignee: **Good Start Genetics, Inc.**, Cambridge, MA (US)

(**) Term: **14 Years**

(21) Appl. No.: **29/518,525**

(22) Filed: **Feb. 24, 2015**

(51) **LOC (10) Cl.** **24-02**

(52) **U.S. Cl.**
USPC **D24/232**

(58) **Field of Classification Search**
USPC D24/231, 216, 128, 223–224, 227; D10/81; 422/407; 435/6.11, 6.17, 6.18, 435/6.19; 355/72, 75; 235/462.01
CPC G06K 7/14; G06K 7/00; G06K 7/0004; G06K 7/10544; B01L 9/06; B01L 9/04; B01L 9/50; B01L 9/52; B01L 9/54; G01N 35/00732; G01N 2035/00752; G01N 2035/00792; G01N 2035/00801
See application file for complete search history.

(56) **References Cited**

U.S. PATENT DOCUMENTS

D311,876 S * 11/1990 Kiegami D10/81
5,397,542 A * 3/1995 Nelms B01L 9/06
220/23.4

7,824,615 B2 * 11/2010 Balli B01L 9/06
422/63
2014/0266620 A1 * 9/2014 Iqbal G06K 7/0004
340/10.1
2014/0374480 A1 * 12/2014 Pollack G01N 35/00732
235/440

* cited by examiner

Primary Examiner — Wan Laymon

(74) *Attorney, Agent, or Firm* — Thomas C. Meyers;
Brown Rudnick LLP

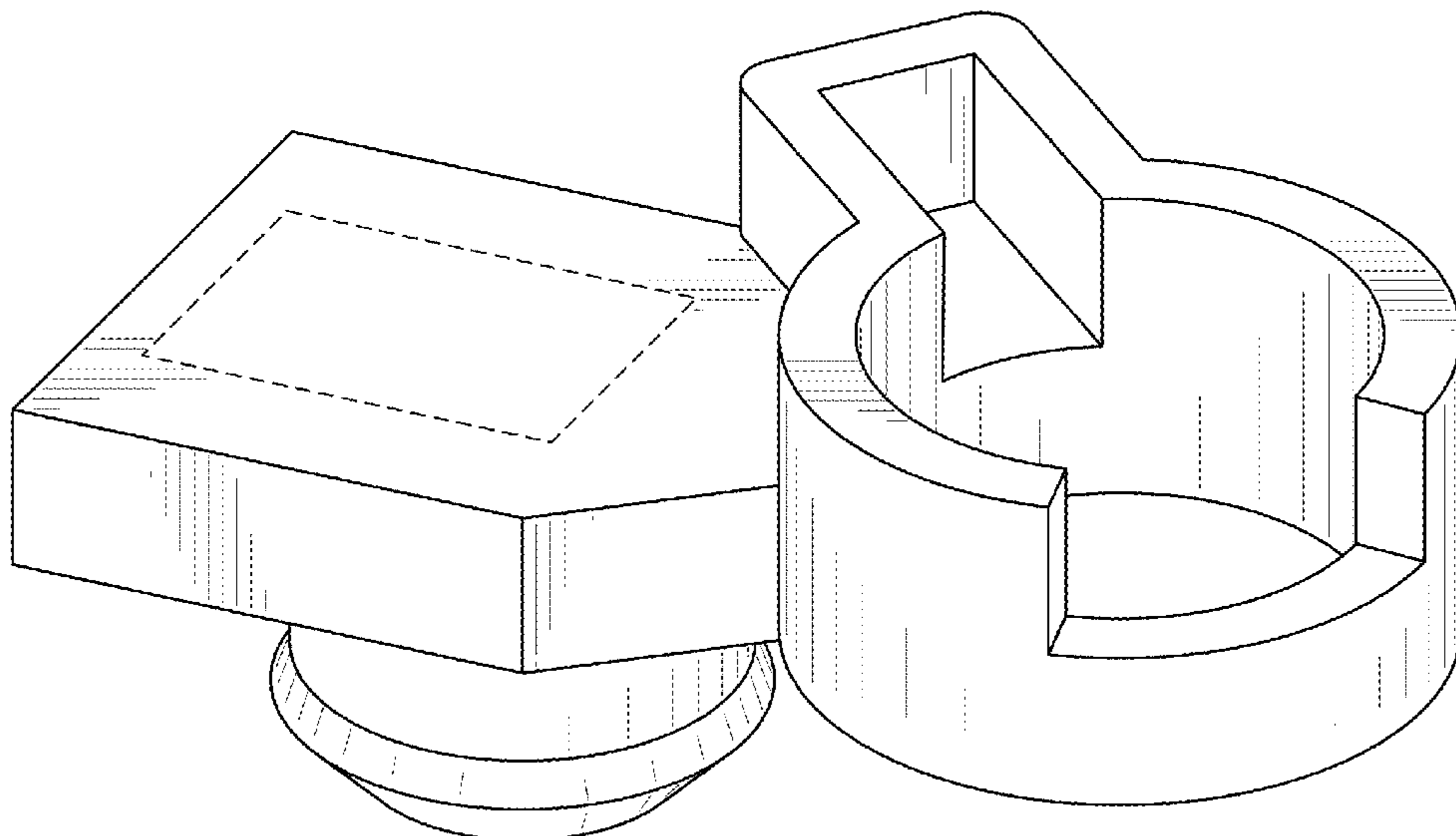
(57) **CLAIM**

The ornamental design for a device for barcoding individual wells and vessels, as shown and described.

DESCRIPTION

FIG. 1 illustrates a perspective view of a device for barcoding individual wells and vessels employing an ornamental design in accordance with the present invention; FIG. 2 illustrates a top view of the barcoding device of FIG. 1; FIG. 3 illustrates a front elevational view of the barcoding device of FIG. 1; FIG. 4 illustrates a rear elevational view of the barcoding of Figure FIG. 1; FIG. 5 illustrates a bottom view of the barcoding device of FIG. 1; FIG. 6 illustrates a left side elevational view of the barcoding device of FIG. 1; FIG. 7 illustrates a right side elevational view of the barcoding device of FIG. 1; FIG. 8 illustrates a perspective view of the barcoding device; and, FIG. 9 illustrates a perspective view of the barcoding device with a vessel nestled within the barcoding device of FIGS. 1 and 8.

1 Claim, 6 Drawing Sheets



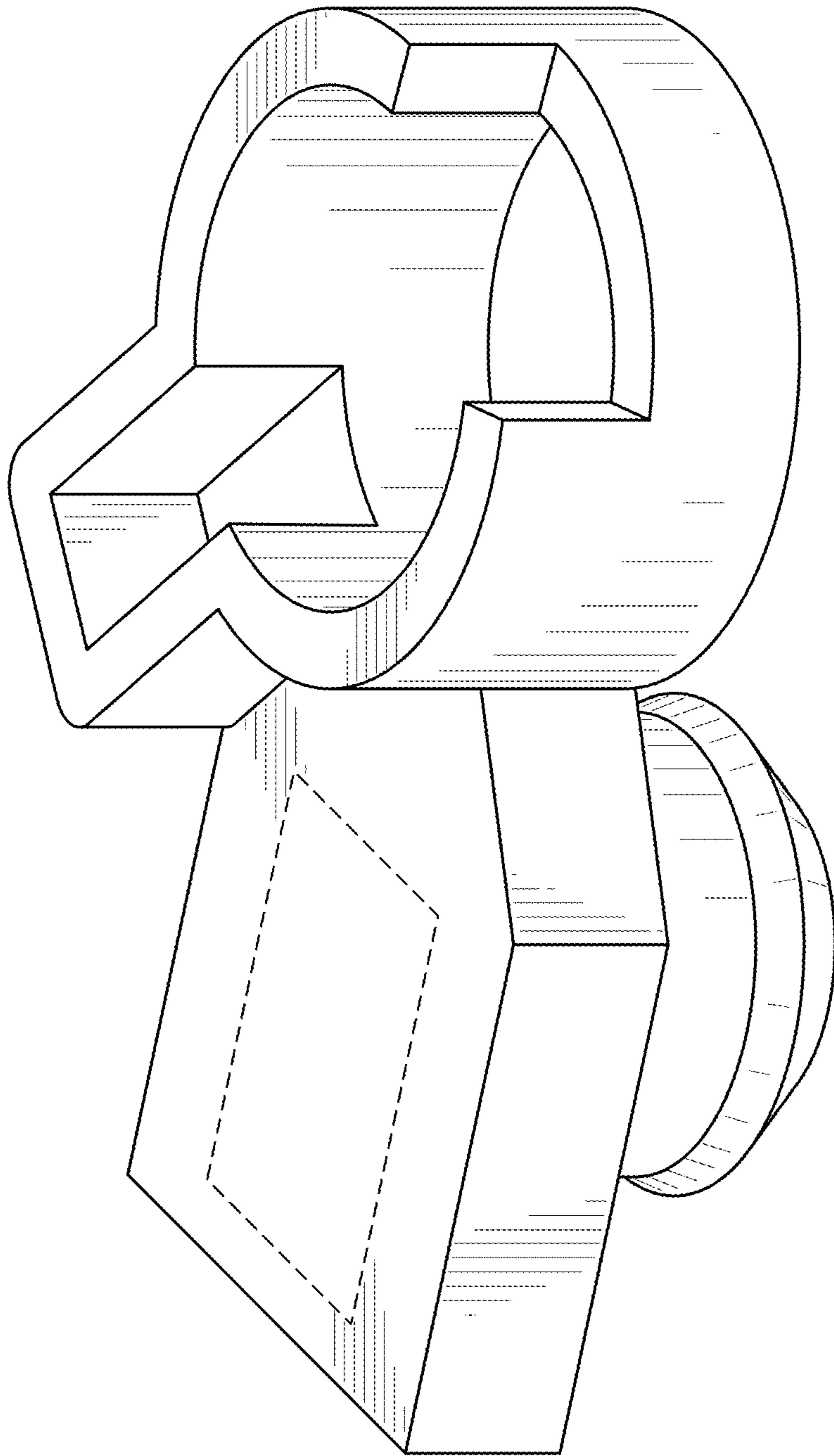


FIG. 1

FIG. 2

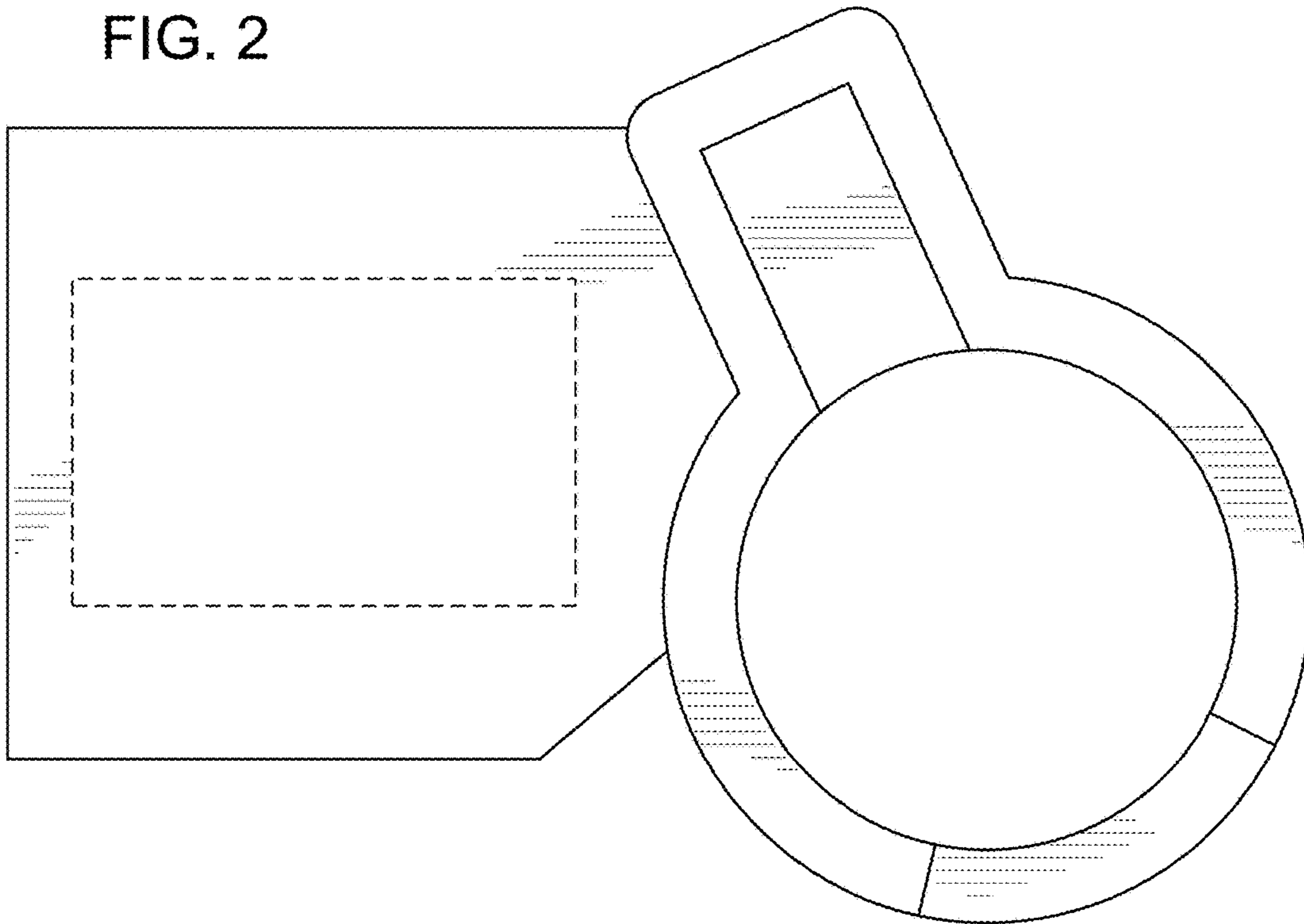
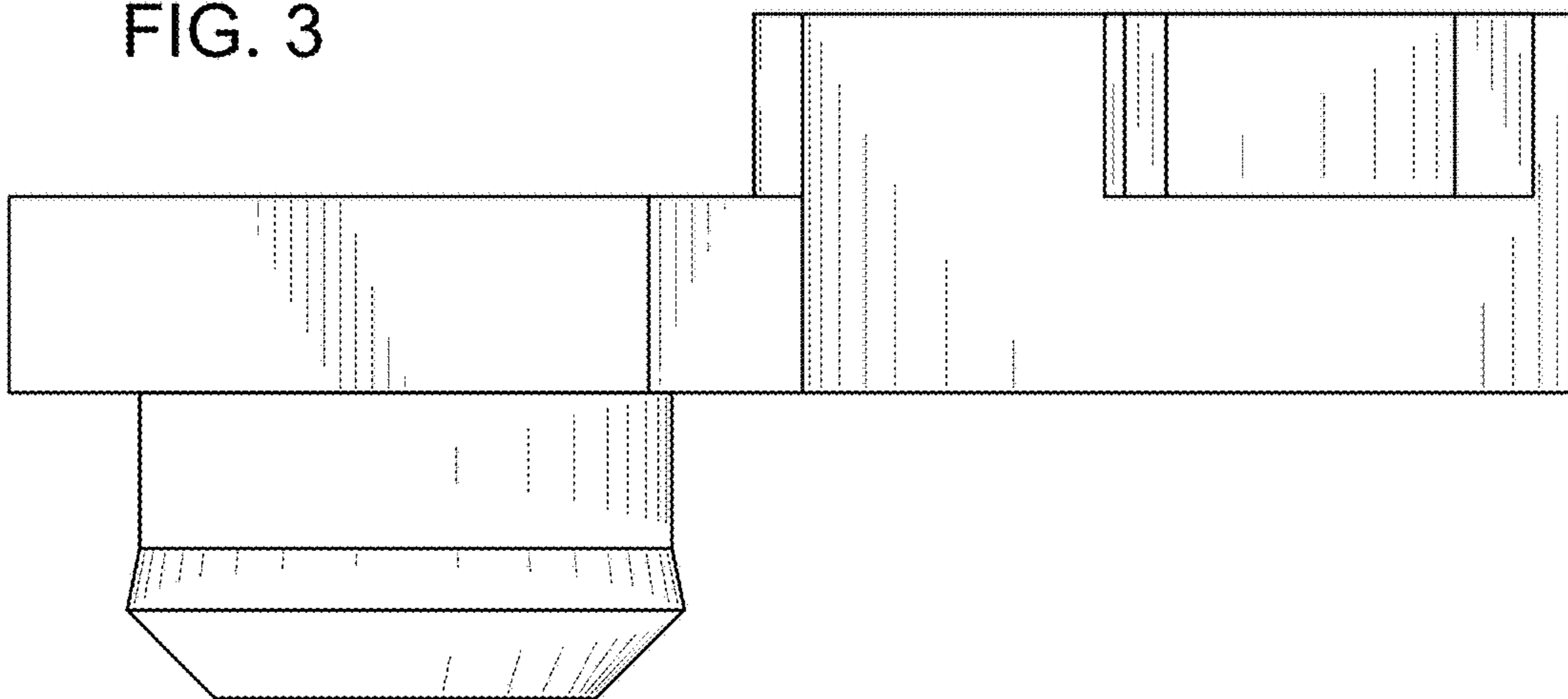


FIG. 3



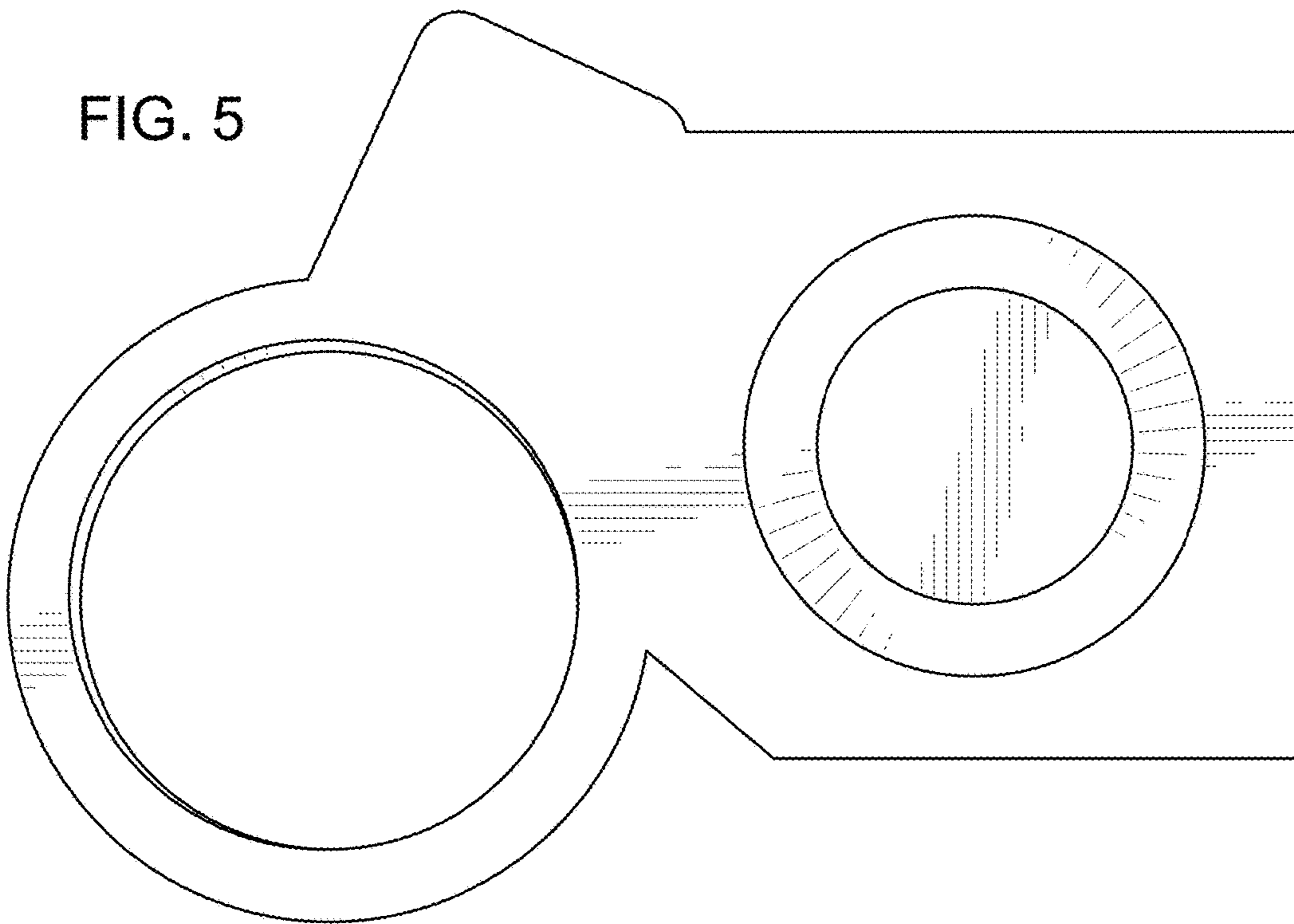
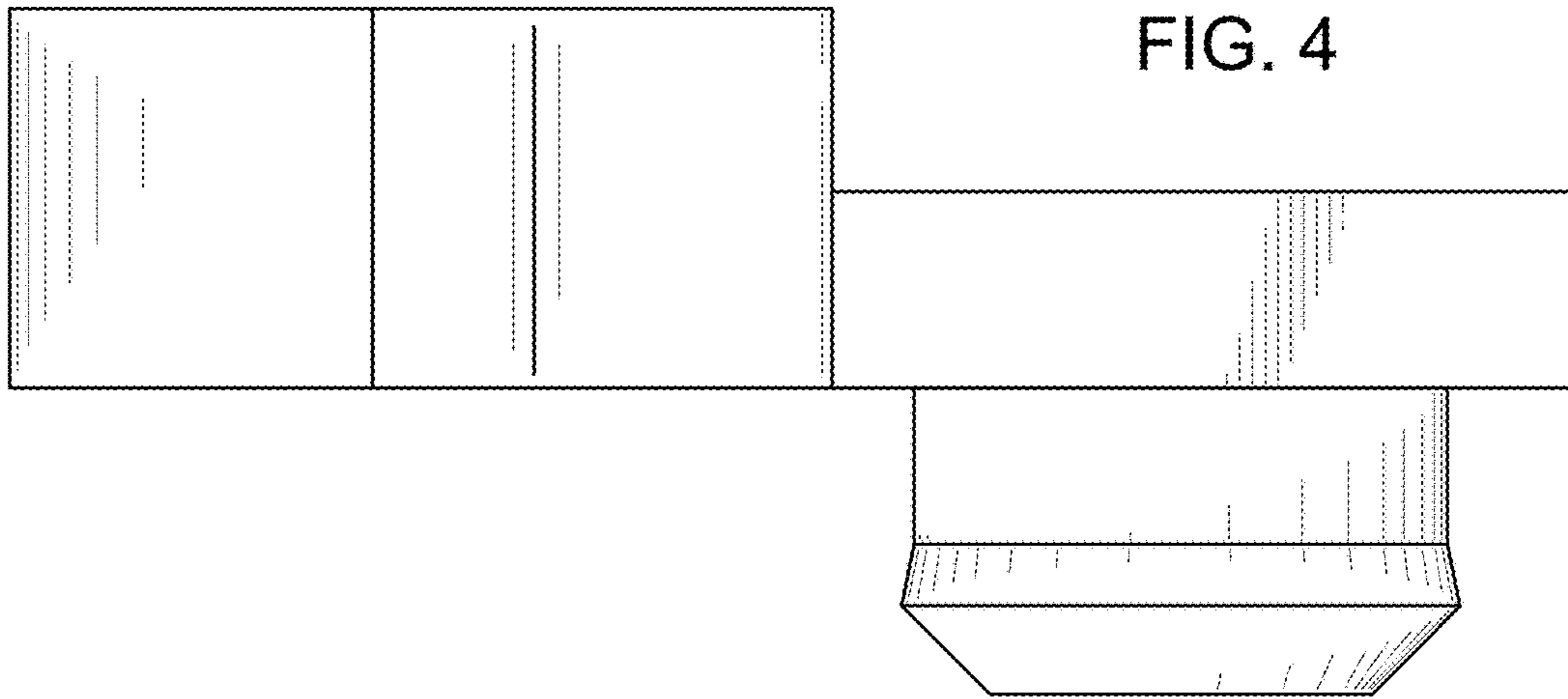


FIG. 6

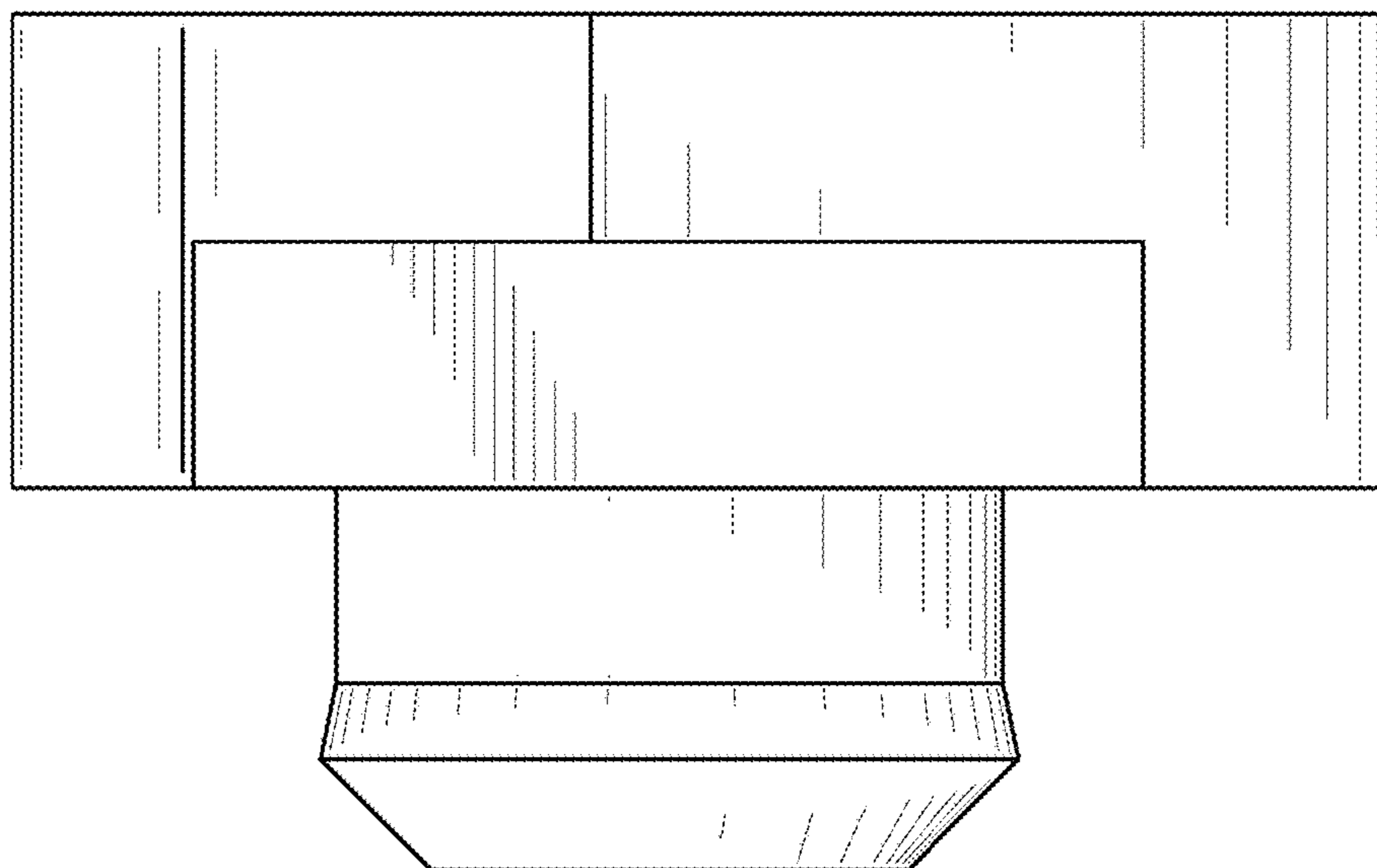


FIG. 7

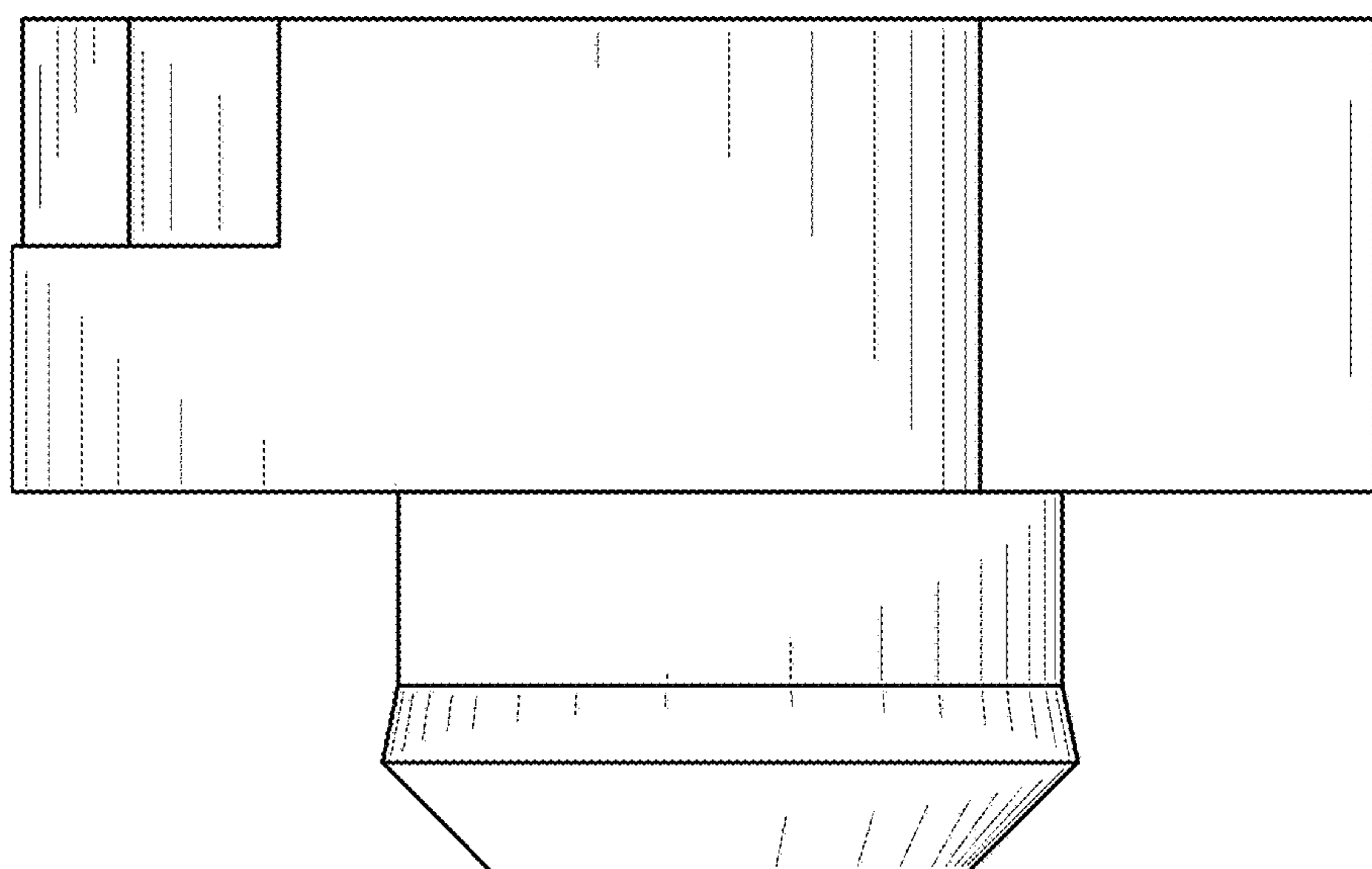


FIG. 8

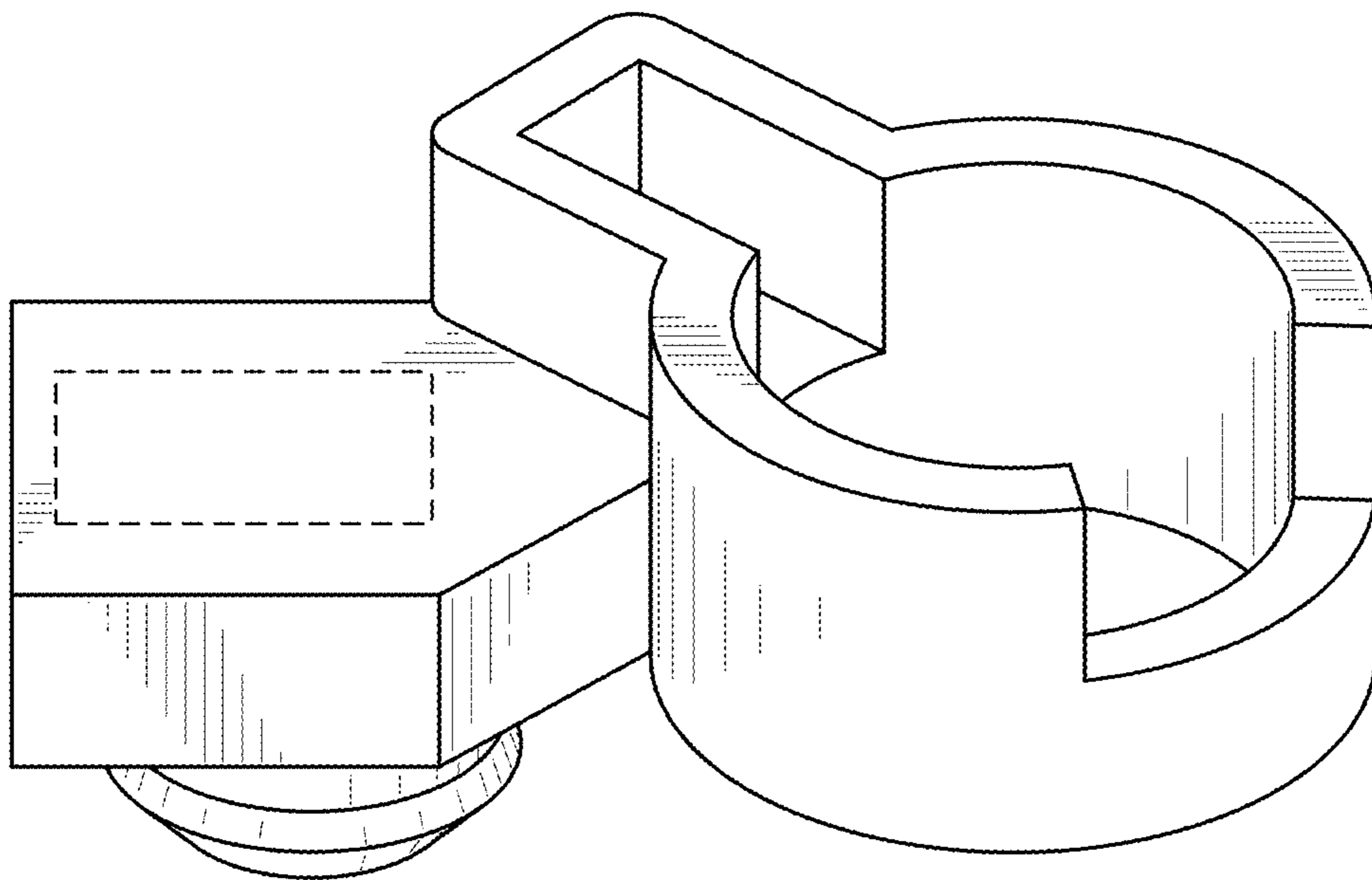


FIG. 9

