



US00D773067S

(12) **United States Design Patent**
Wang et al.

(10) **Patent No.:** **US D773,067 S**

(45) **Date of Patent:** **** Nov. 29, 2016**

(54) **TEST READER**

(71) Applicants: **Naishu Wang**, San Diego, CA (US);
Jimmy Jing, San Diego, CA (US)

(72) Inventors: **Naishu Wang**, San Diego, CA (US);
Jimmy Jing, San Diego, CA (US)

(**) Term: **15 Years**

(21) Appl. No.: **29/534,104**

(22) Filed: **Jul. 26, 2015**

(51) **LOC (10) Cl.** **24-01**

(52) **U.S. Cl.**
USPC **D24/216**

(58) **Field of Classification Search**
USPC D24/216, 223, 224, 231, 232, 233, 107,
D24/169, 186; D10/81; D14/433, 434, 453
CPC G01N 2035/00871; G01N 2035/00891;
G01N 21/8483; A61B 2010/0009; G06F
19/366; G06K 9/00134; H04M 1/026
See application file for complete search history.

(56) **References Cited**

U.S. PATENT DOCUMENTS

D439,669 S *	3/2001	Grunstad	D14/434
D638,019 S *	5/2011	Weissaupt	D14/434
D662,082 S *	6/2012	McManigal	D14/217
D701,320 S *	3/2014	Quilter	D24/216
D727,327 S *	4/2015	Quilter	D14/420
D762,860 S *	8/2016	He	D24/186
2013/0273524 A1 *	10/2013	Ehrenkranz	G01N 21/17 435/5

2013/0273563 A1 *	10/2013	Ehrenkranz	G01N 33/54366 435/7.4
2014/0286550 A1 *	9/2014	Beule	G01N 21/8483 382/128
2014/0296112 A1 *	10/2014	O'Driscoll	G01J 3/0202 506/39
2015/0031412 A1 *	1/2015	Quilter	G06F 19/366 455/556.1
2015/0177147 A1 *	6/2015	Mangan	G01N 33/04 250/432 R
2015/0304555 A1 *	10/2015	Ehrenkranz	H04N 5/2256 348/207.1

* cited by examiner

Primary Examiner — Anhdao Doan

(74) *Attorney, Agent, or Firm* — Buche & Associates,
P.C.; John K. Buche; Bryce A. Johnson

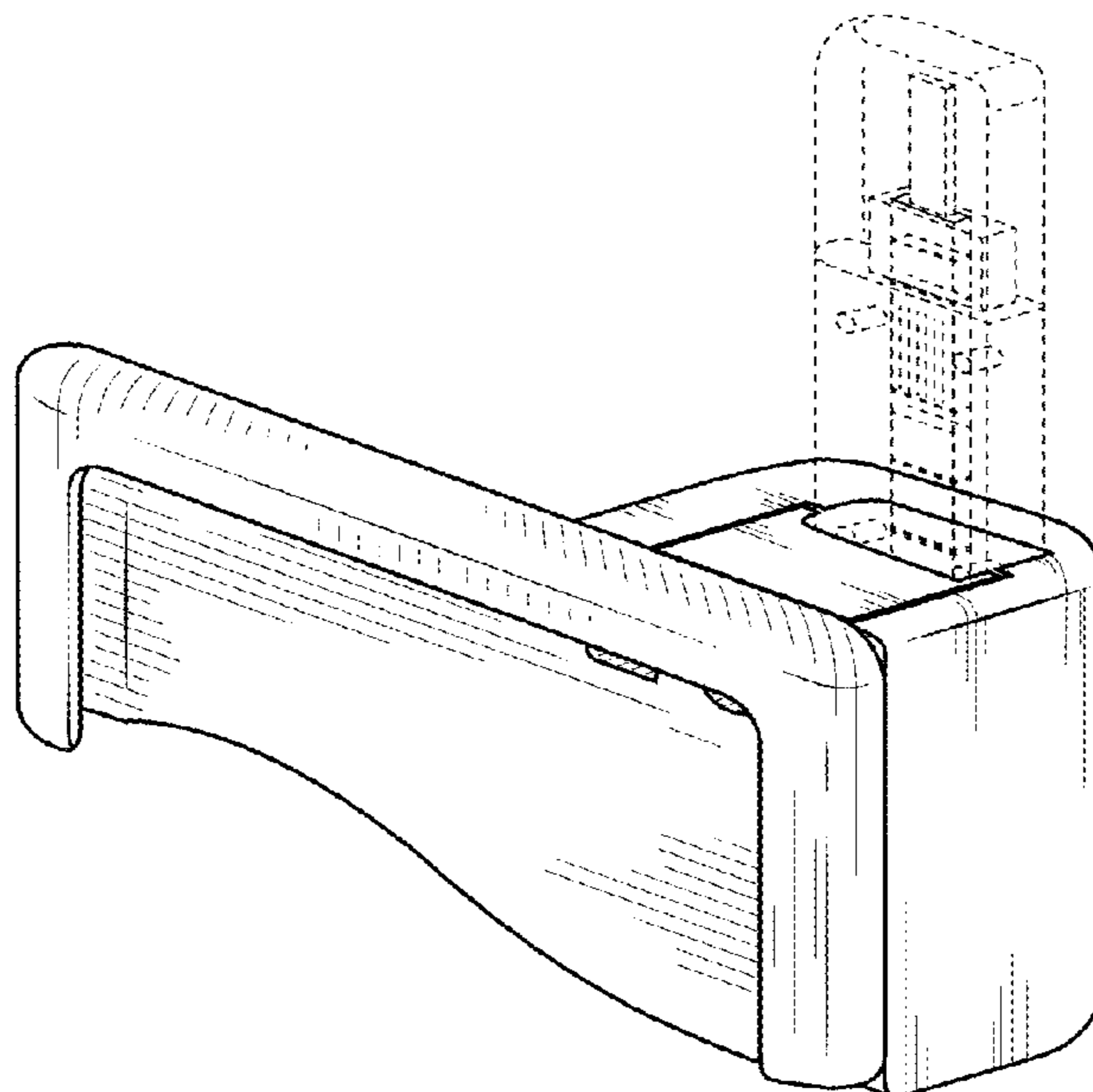
(57) **CLAIM**

The ornamental design for a test reader, as shown and described.

DESCRIPTION

FIG. 1 is a perspective view of the test reader.
FIG. 2 is a front view of the test reader.
FIG. 3 is a back view of the test reader.
FIG. 4 is a right-side view of the test reader.
FIG. 5 is a left-side view of the test reader.
FIG. 6 is a top view of the test reader.
FIG. 7 is a bottom view of the test reader; and,
FIG. 8 is a perspective view of the test reader in a condition of use.
In the drawings, the broken lines depict environmental subject matters and form no part of the claimed design.

1 Claim, 4 Drawing Sheets



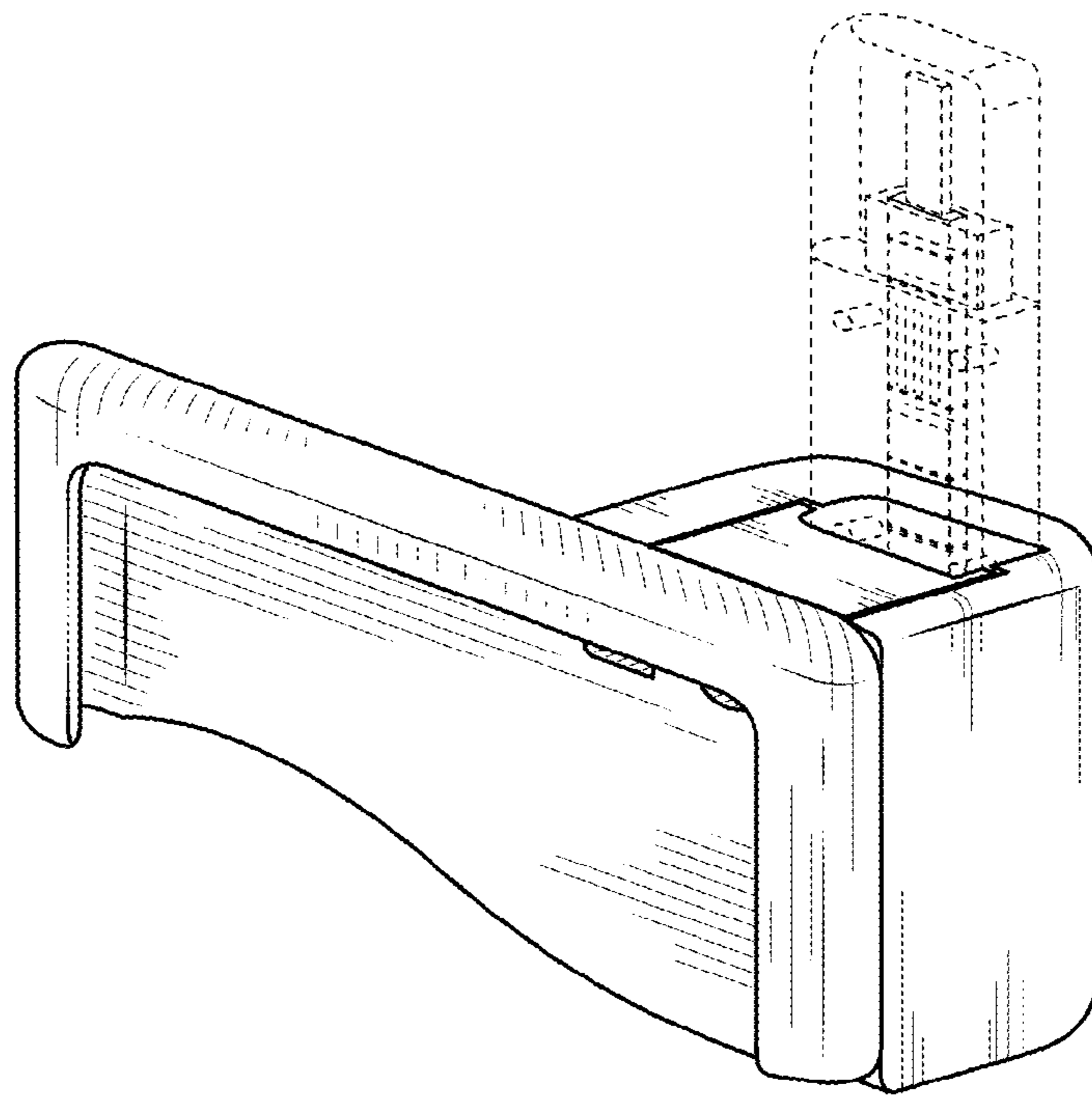


FIG. 1

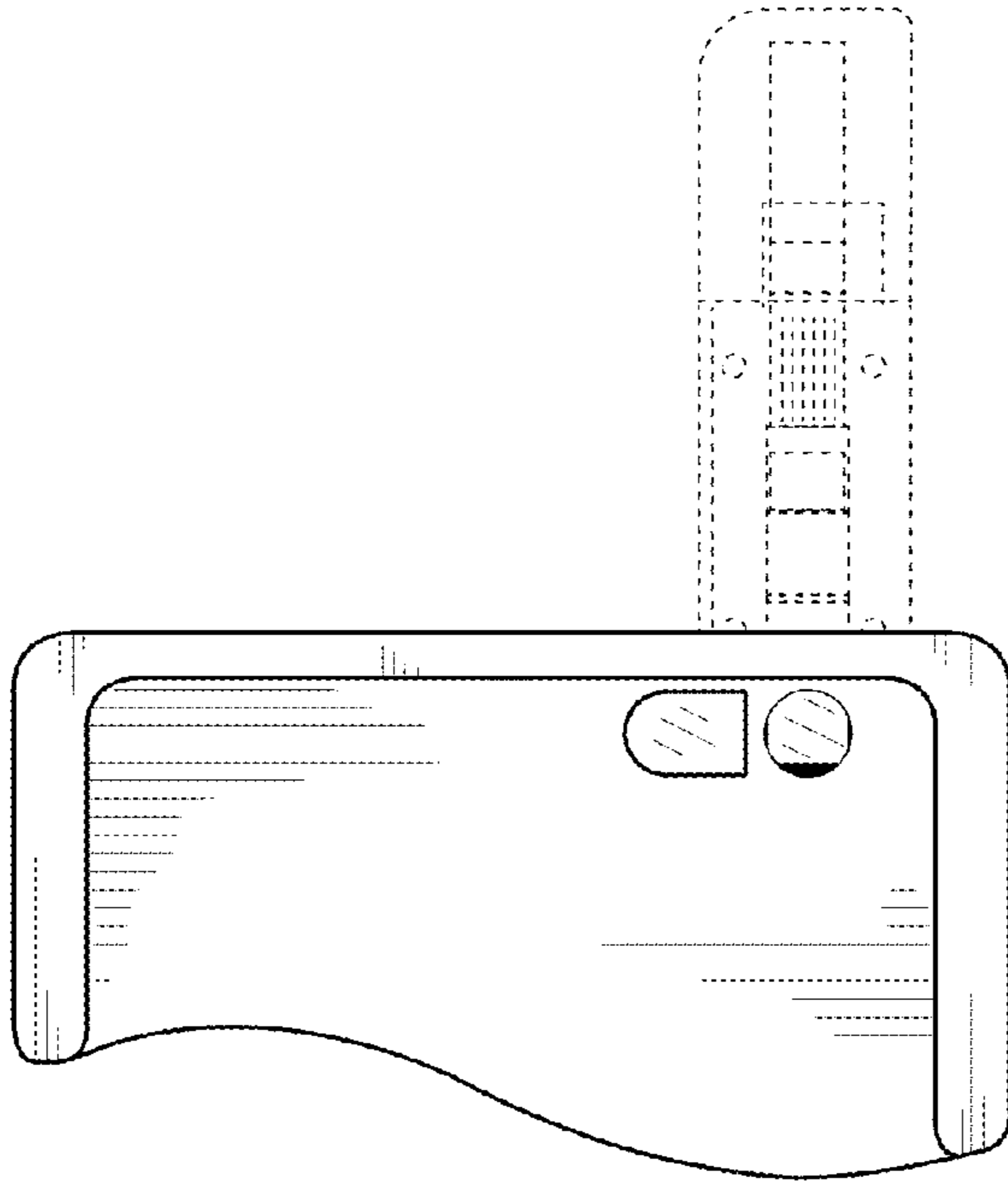


FIG. 2

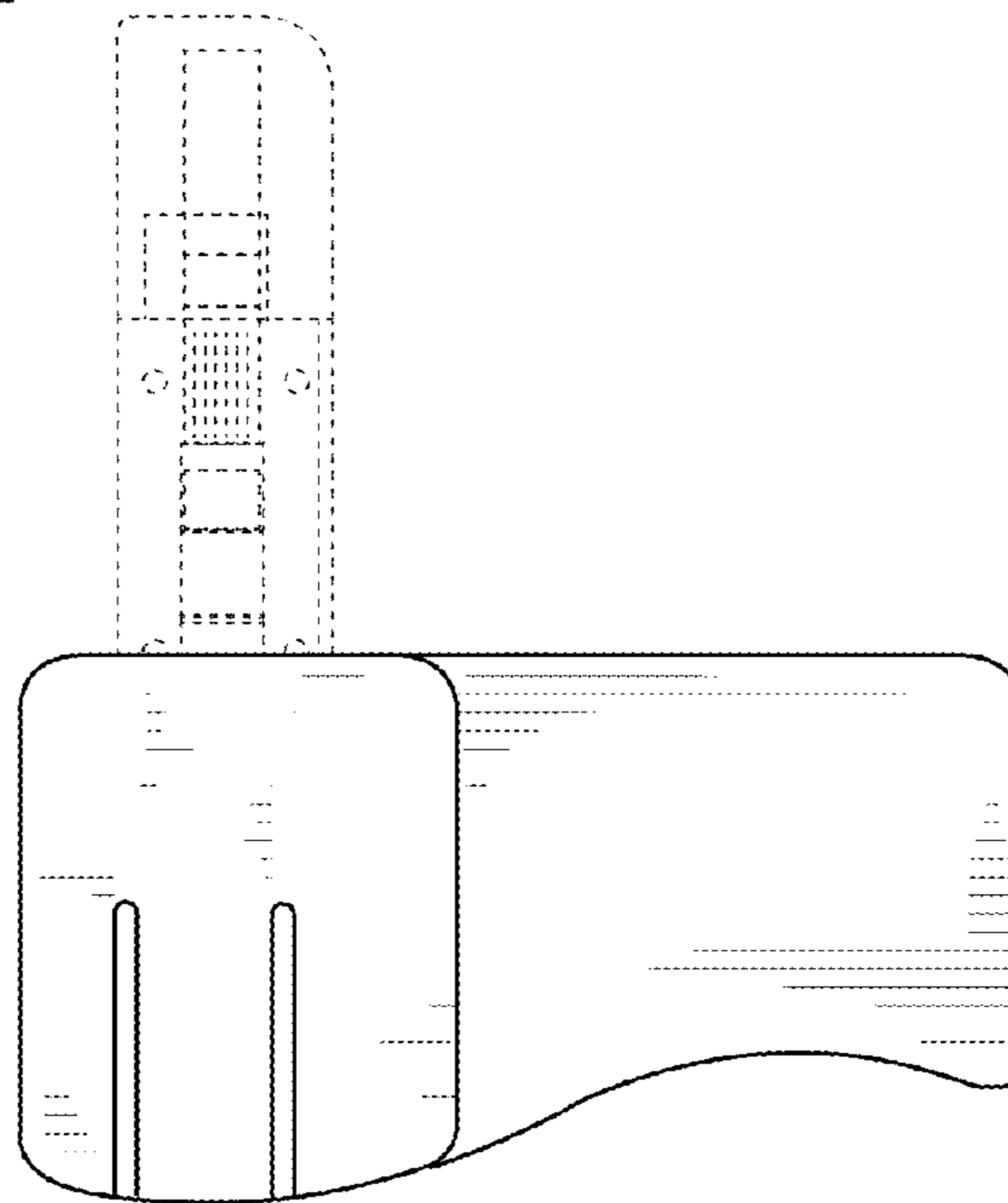


FIG. 3

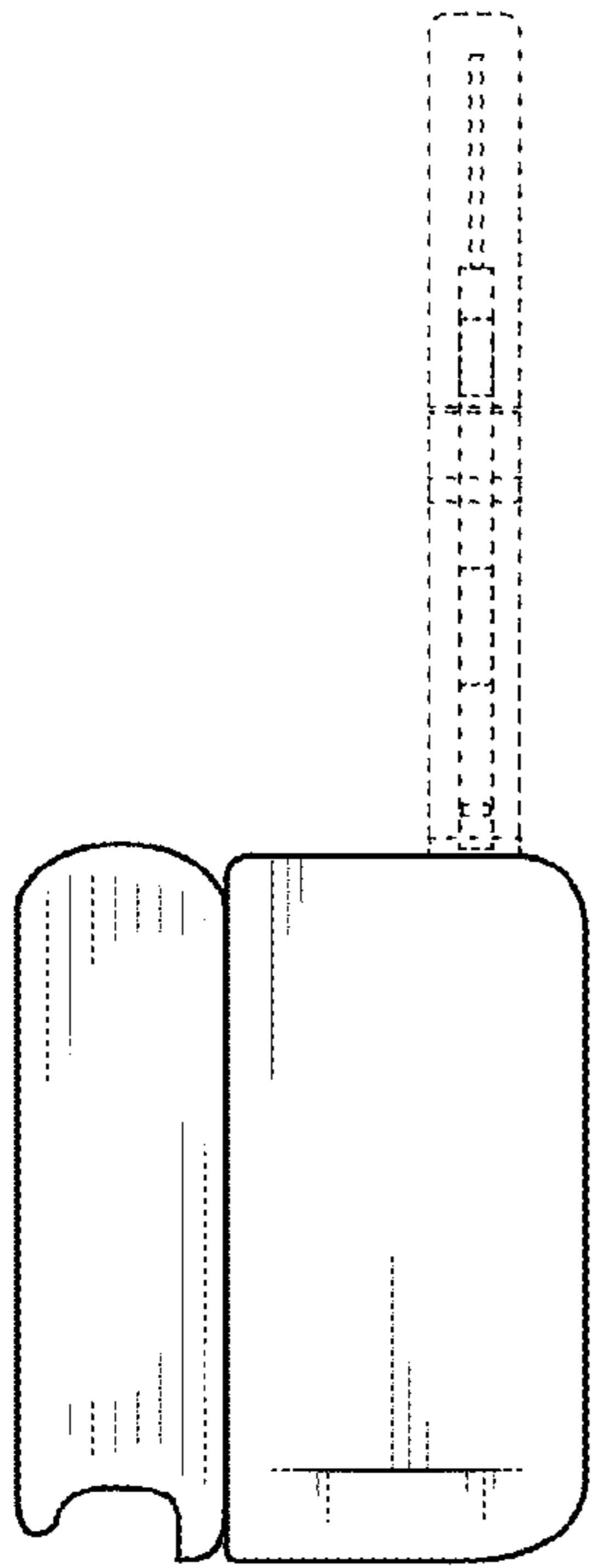


FIG. 4

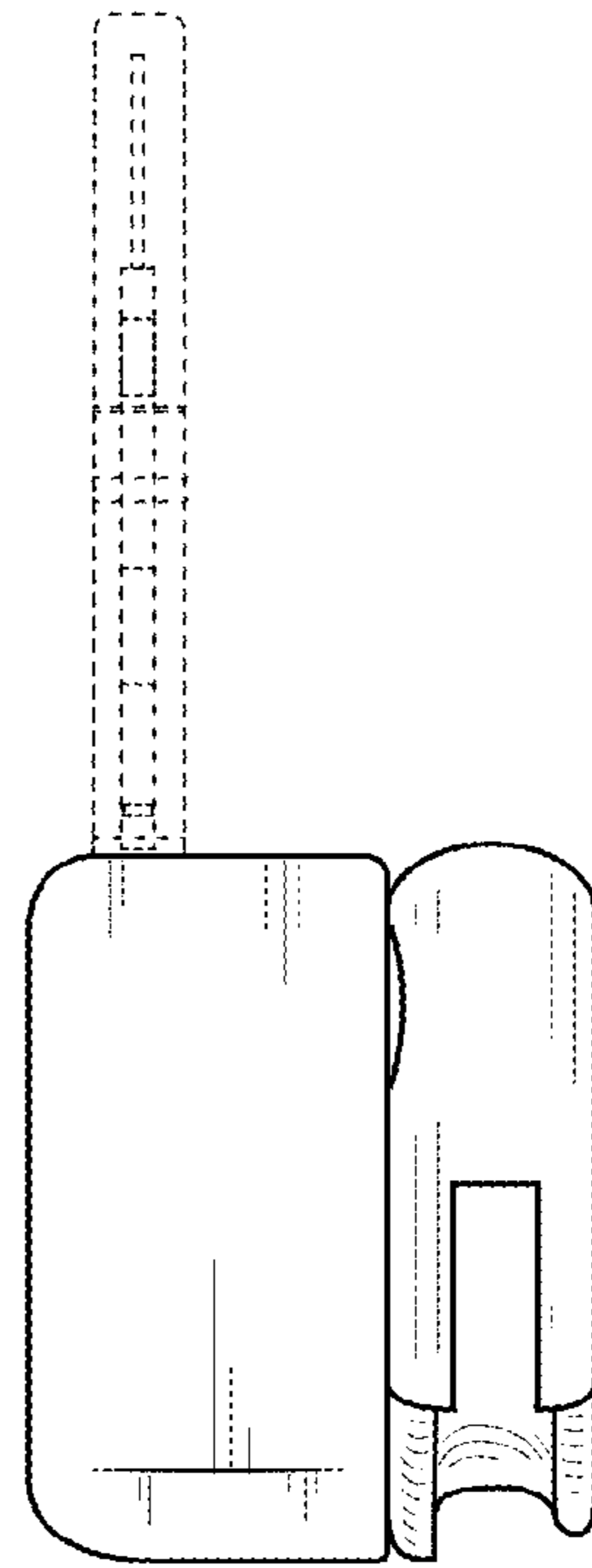


FIG. 5

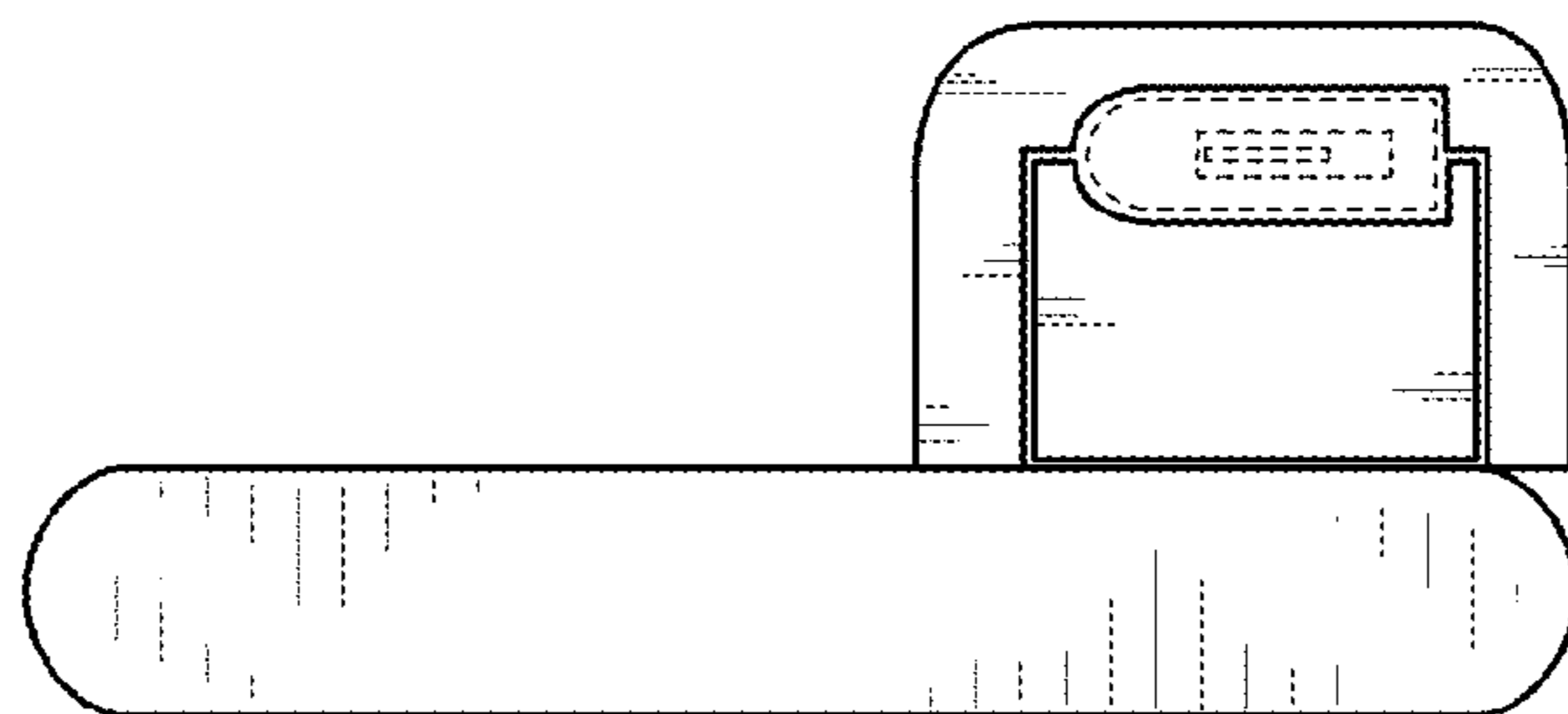


FIG. 6

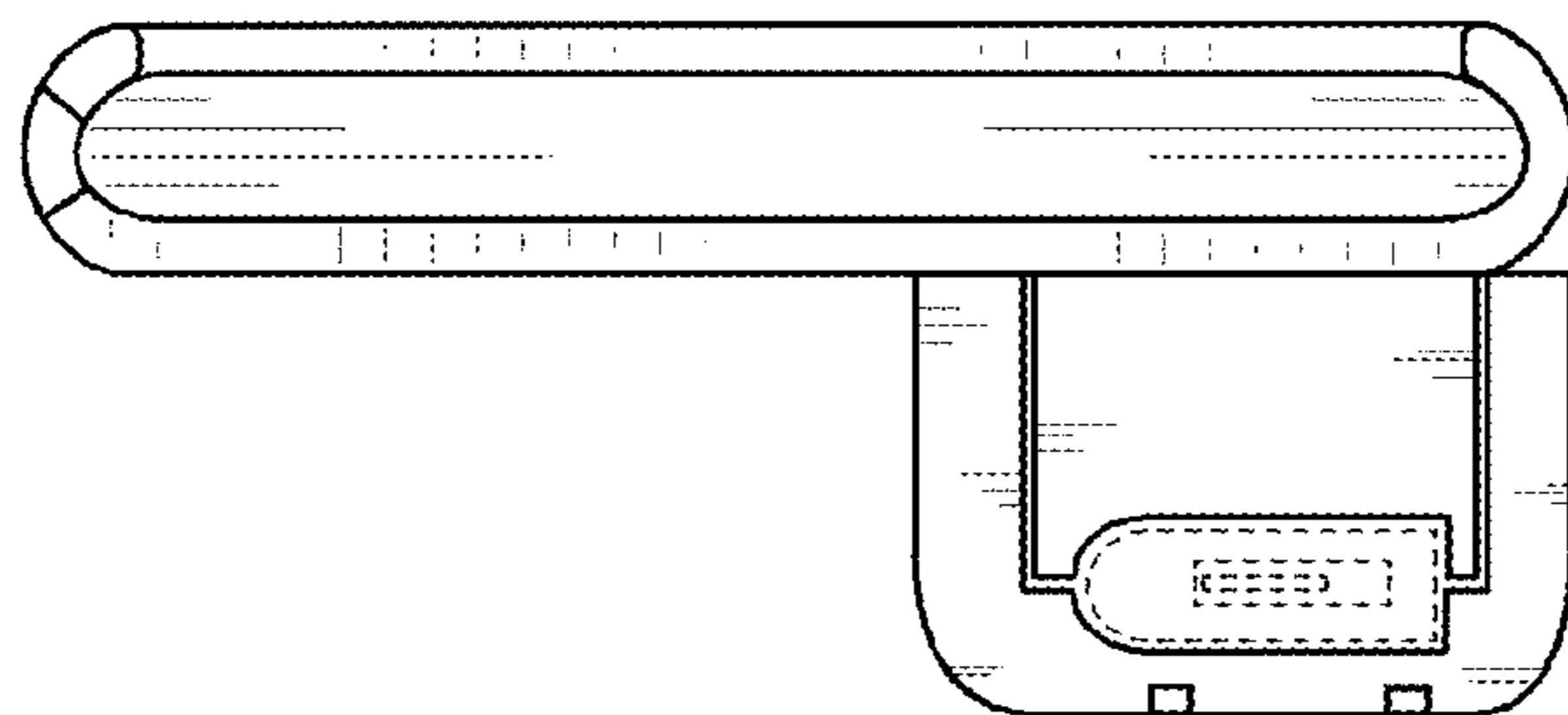


FIG. 7

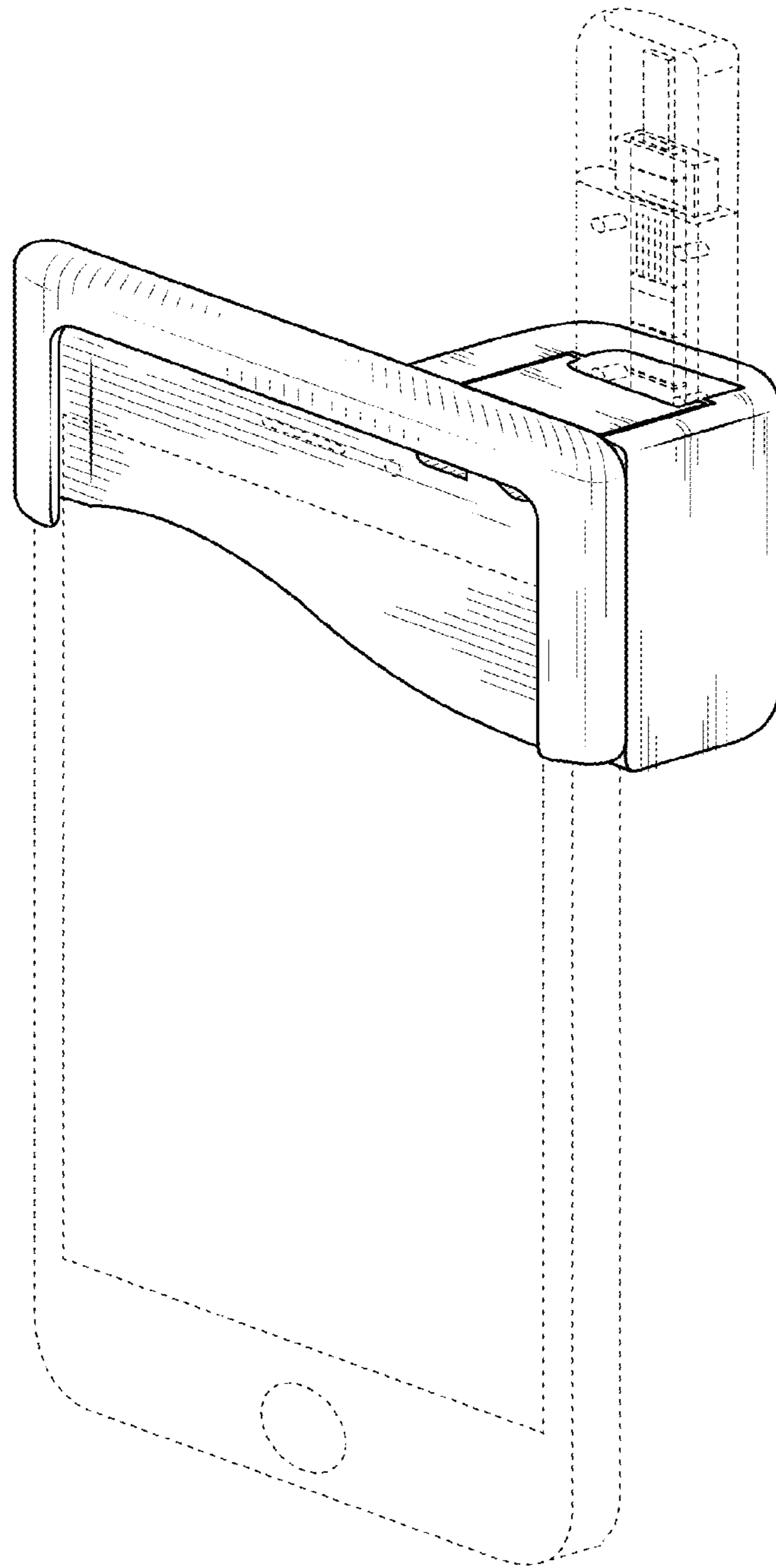


FIG. 8