



US00D773065S

(12) **United States Design Patent** (10) **Patent No.:** **US D773,065 S**  
**Driscoll et al.** (45) **Date of Patent:** **\*\* Nov. 29, 2016**

(54) **PERSONAL MASSAGING DEVICE**

(71) Applicant: **Dimensional Industries, Inc.**, San Diego, CA (US)

(72) Inventors: **Jonathan Daniel Driscoll**, San Diego, CA (US); **Aaron Tynes Hammack**, Berkeley, CA (US); **Sunny Allen**, Sunnyvale, CA (US)

(73) Assignee: **DIMENSIONAL INDUSTRIES, INC.**, San Diego, CA (US)

(\*\*) Term: **14 Years**

(21) Appl. No.: **29/504,335**

(22) Filed: **Oct. 3, 2014**

(51) **LOC (10) Cl.** ..... **28-03**

(52) **U.S. Cl.**

USPC ..... **D24/215**

(58) **Field of Classification Search**

USPC ..... D24/200, 211, 212, 213, 214, 215, 189; 601/19, 27-32, 46, 49, 52, DIG. 12, 601/DIG. 14, DIG. 15, DIG. 16, DIG. 17, 48  
CPC ..... A61H 2201/0153; A61H 2201/0207; A61H 2201/0263; A61H 2201/0111; A61H 2201/1253; A61H 2205/082; A61H 2205/085; A61H 15/0085; A61H 19/00; A61H 19/30; A61H 19/32; A61H 19/40; A61H 19/44; A61H 19/50

See application file for complete search history.

(56) **References Cited**

**U.S. PATENT DOCUMENTS**

D125,046 S \* 2/1941 Balentine ..... D24/115  
2,899,957 A \* 8/1959 Briggs ..... A61F 5/41  
600/39  
D272,945 S \* 3/1984 Suhel ..... D24/214  
D273,132 S \* 3/1984 Moloff ..... 601/72  
D320,453 S \* 10/1991 Von Winckler ..... D24/200  
D371,442 S \* 7/1996 Semyonova ..... D24/214  
D426,311 S \* 6/2000 Horowitz ..... D24/215  
D454,959 S \* 3/2002 Harris ..... D24/214

D465,852 S \* 11/2002 Bloch ..... D24/211  
D510,628 S \* 10/2005 Talbot ..... D24/214  
D530,822 S \* 10/2006 Inubushi ..... D24/214  
D559,992 S \* 1/2008 Potter ..... D24/214  
D693,017 S \* 11/2013 Tai ..... D24/215  
2008/0194907 A1\* 8/2008 Lin ..... A61H 19/44  
600/38  
2010/0174136 A1\* 7/2010 Shim ..... A61H 19/34  
600/38

\* cited by examiner

*Primary Examiner* — Sandra Snapp

(74) *Attorney, Agent, or Firm* — Inventive Patent Law P.C.; Jim H. Salter

(57) **CLAIM**

The ornamental design for a personal massaging device, as shown and described.

**DESCRIPTION**

FIG. 1 is a top, front perspective view of a personal massaging device, according to a first embodiment; FIG. 2 is a bottom, front perspective view thereof; FIG. 3 is a top, rear perspective view thereof; FIG. 4 is a front elevation view thereof; FIG. 5 is a rear elevation view thereof; FIG. 6 is a right side elevation view thereof; FIG. 7 is a left side elevation view thereof; FIG. 8 is a top plan view thereof; FIG. 9 is a bottom plan view thereof; FIG. 10 is a top, front perspective view of the personal massaging device, according to a second embodiment; FIG. 11 is a bottom, front perspective view thereof; FIG. 12 is a top, rear perspective view thereof; FIG. 13 is a front elevation view thereof; FIG. 14 is a rear elevation view thereof; FIG. 15 is a right side elevation view thereof; FIG. 16 is a left side elevation view thereof; FIG. 17 is a top plan view thereof; and, FIG. 18 is a bottom plan view thereof.

The broken lines indicate unclaimed portions of the personal massaging device and from no part of the claimed design.

**1 Claim, 16 Drawing Sheets**



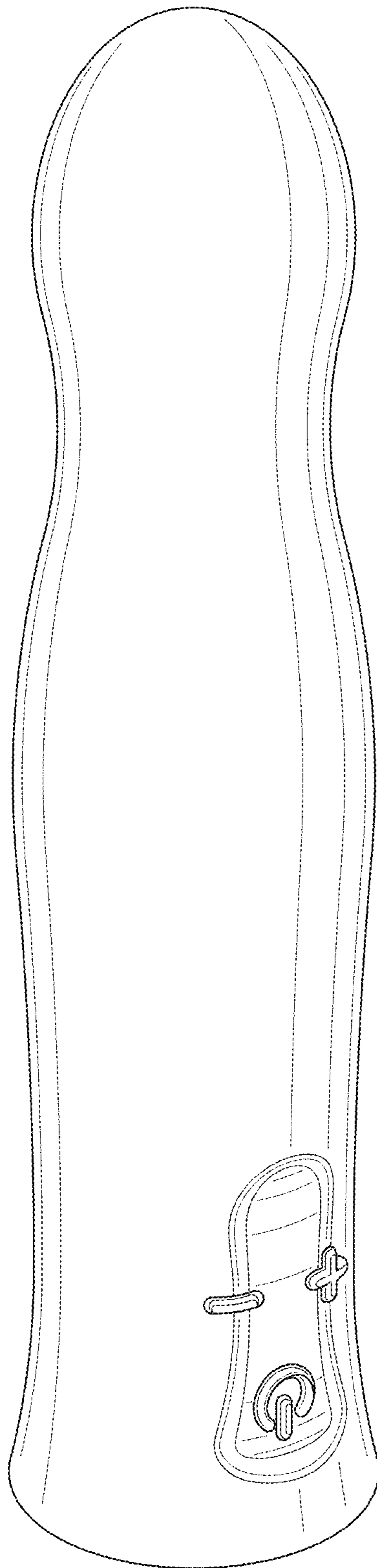


Fig. 1

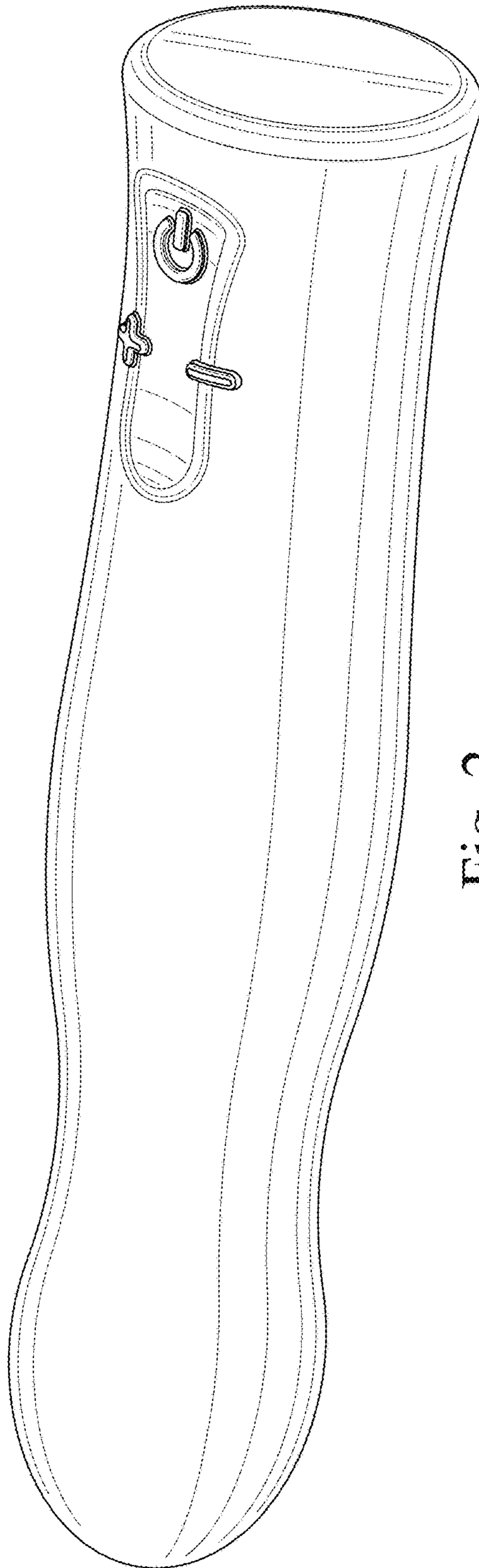


Fig. 2

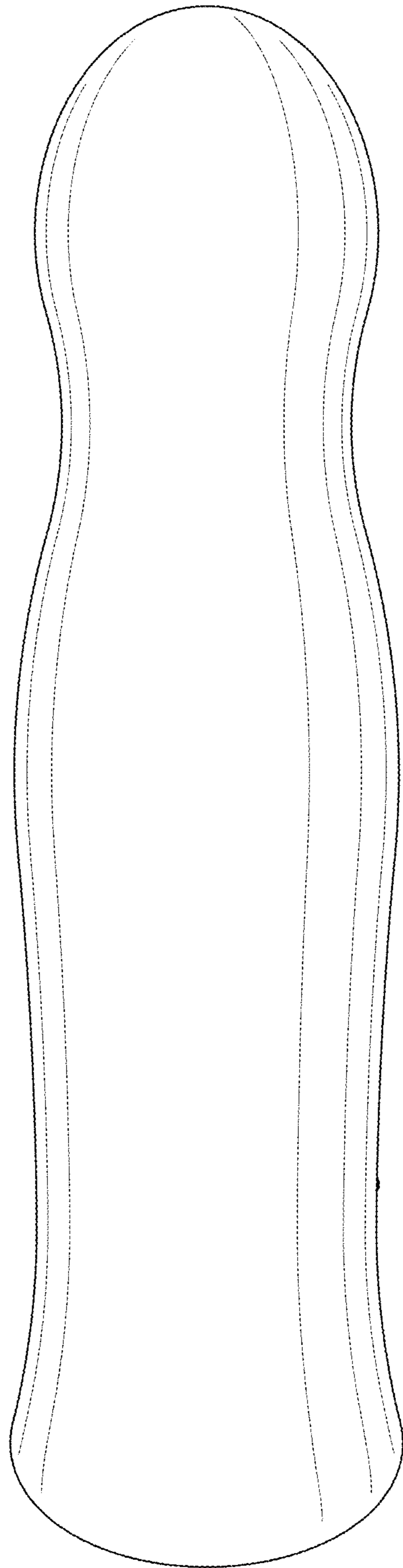


Fig. 3

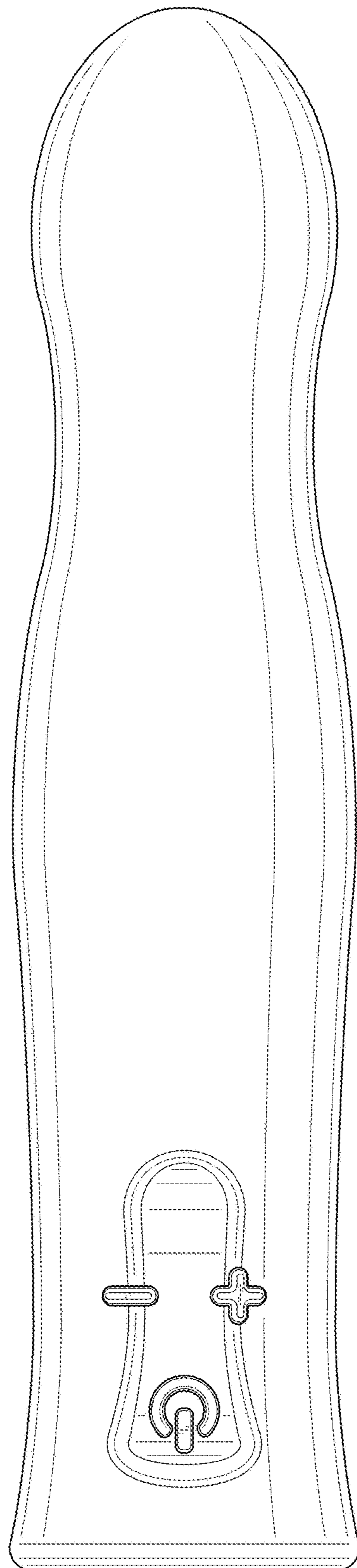


Fig. 4

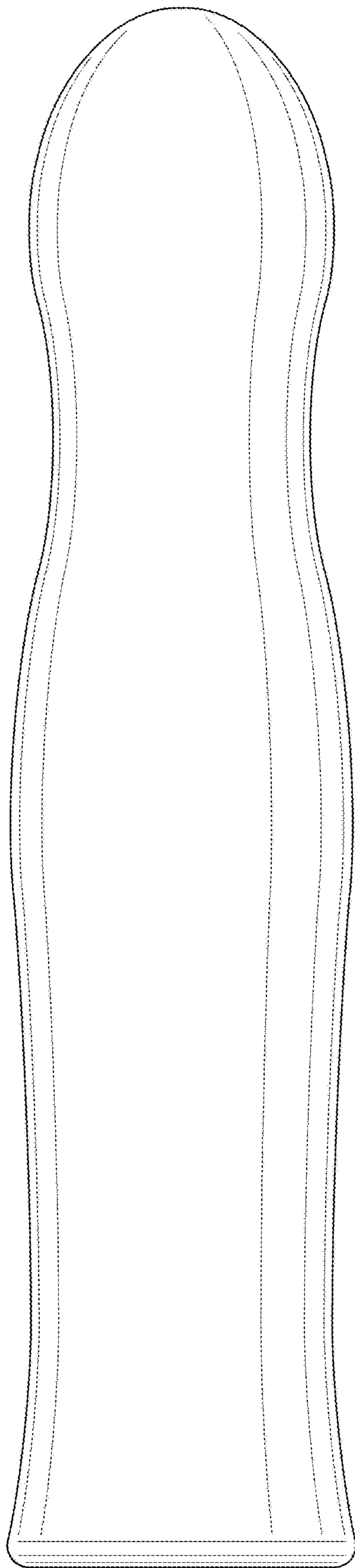


Fig. 5

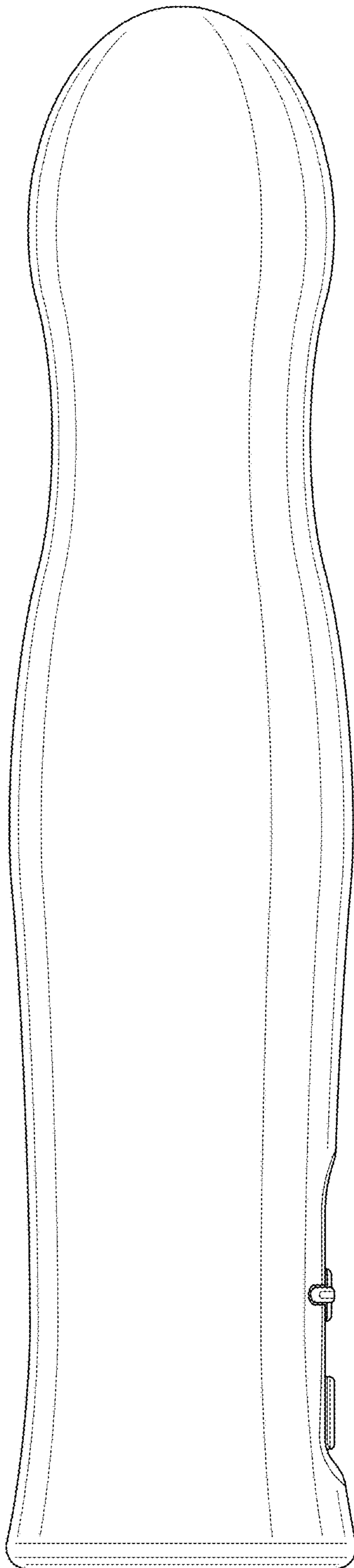


Fig. 6

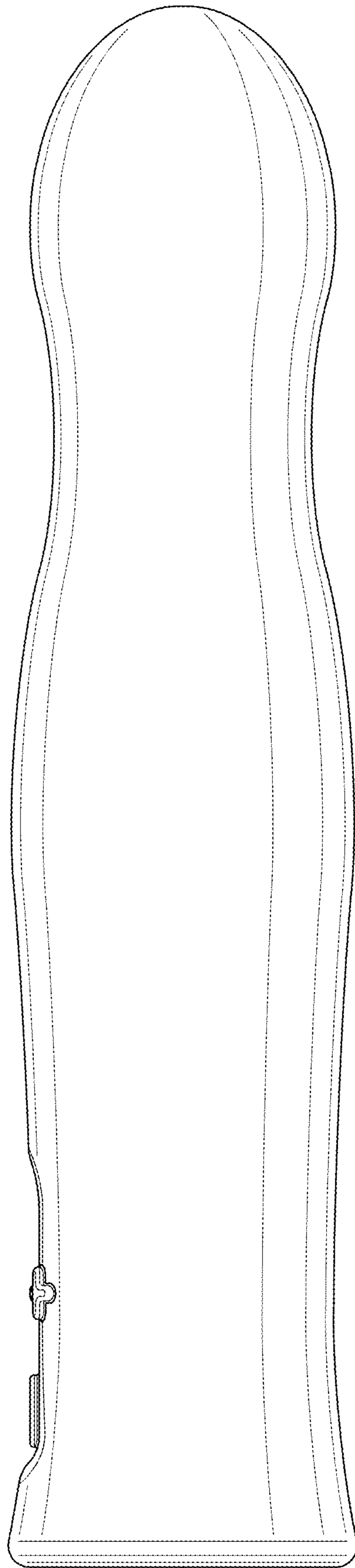


Fig. 7



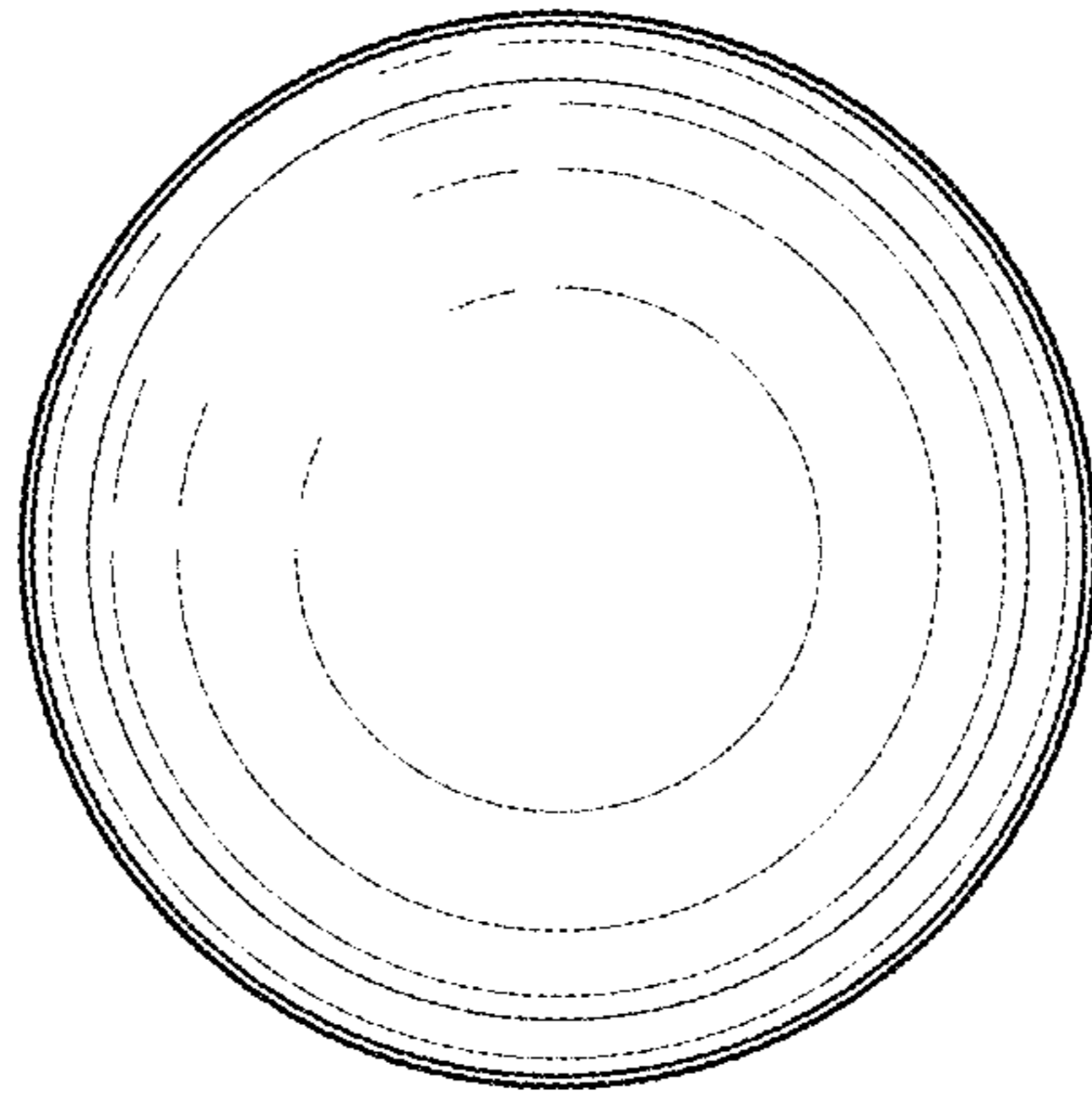


Fig. 8

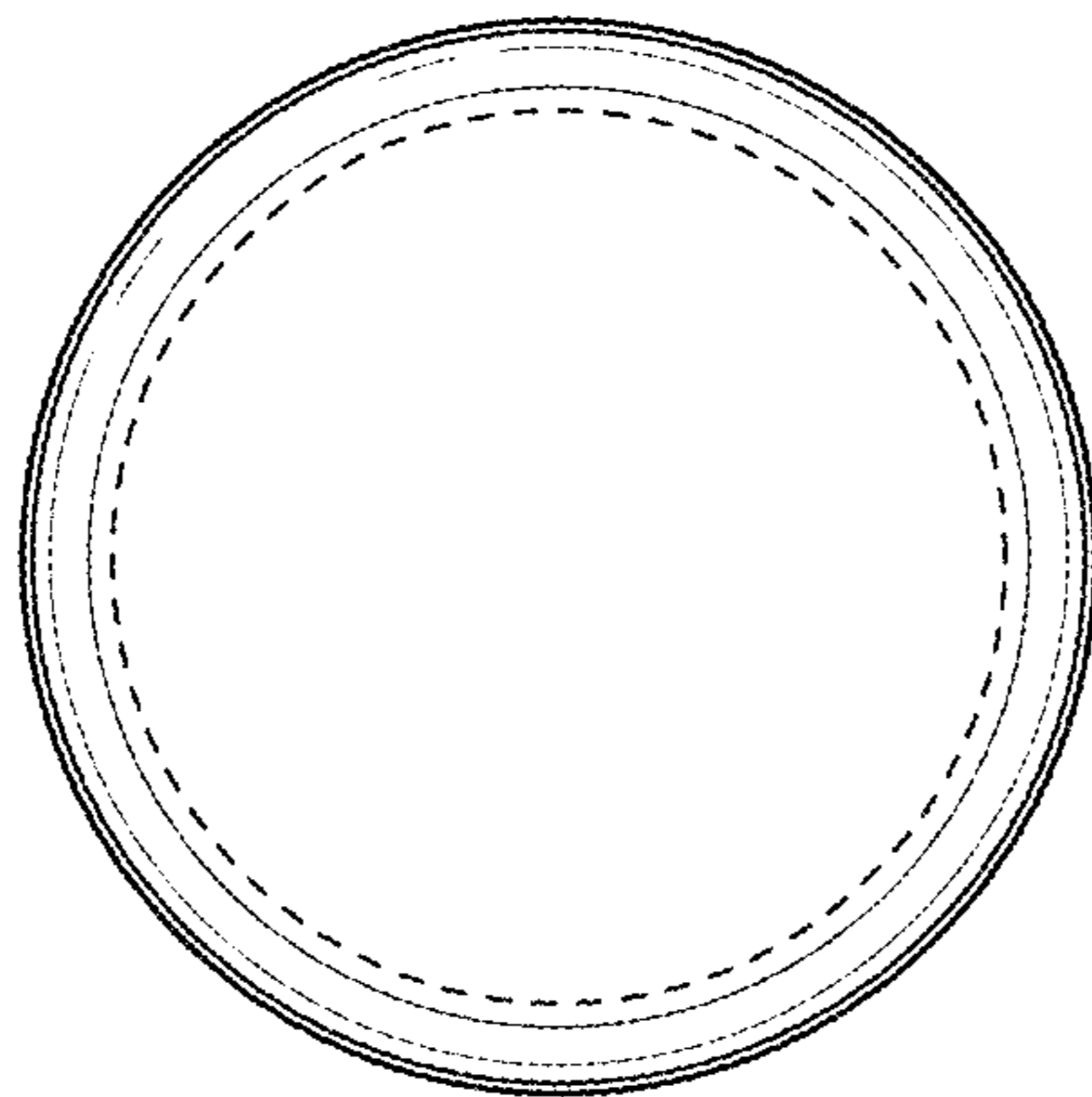


Fig. 9

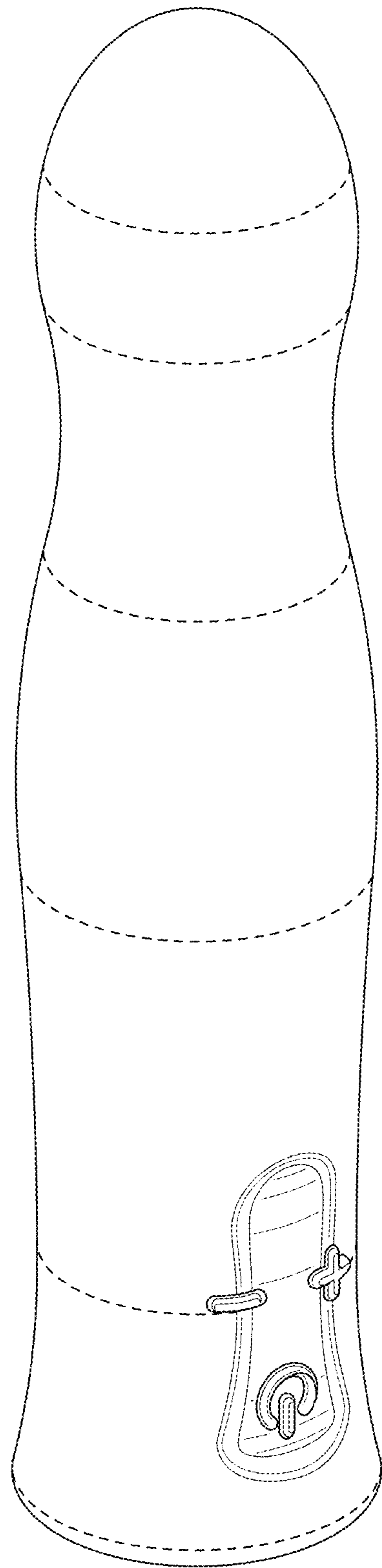


Fig. 10

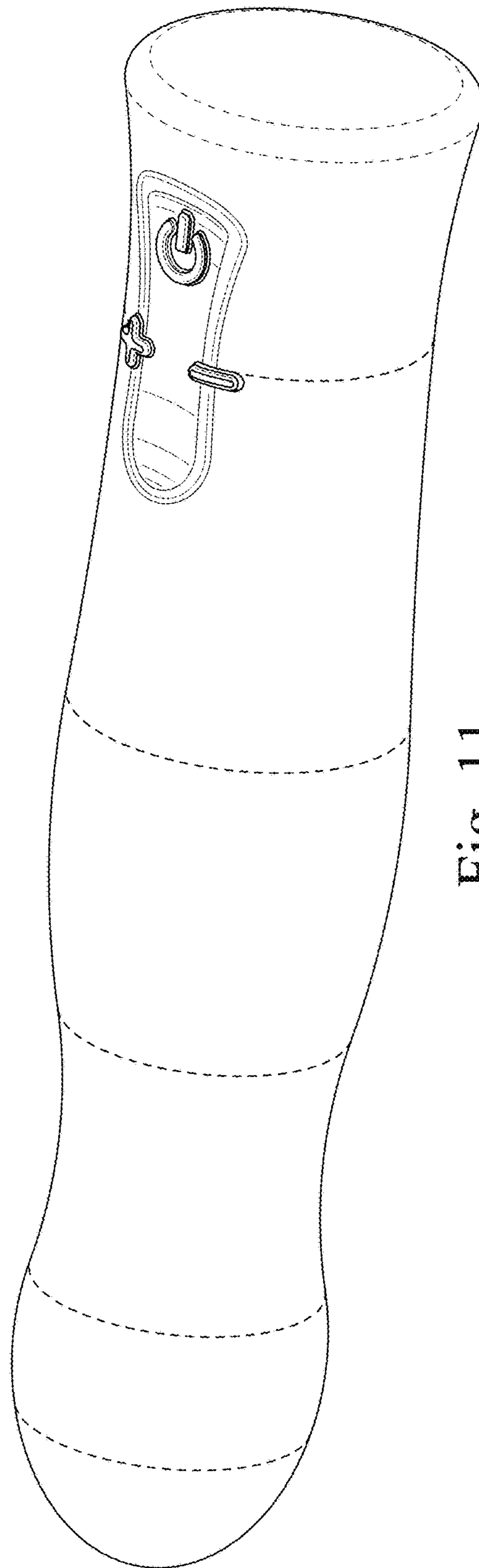


Fig. 11

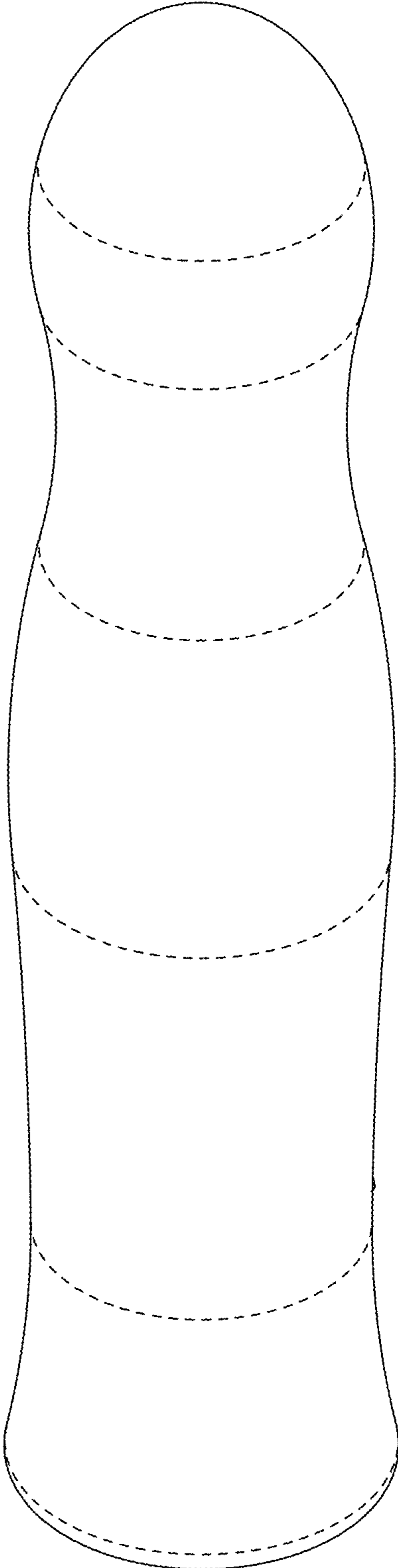


Fig. 12

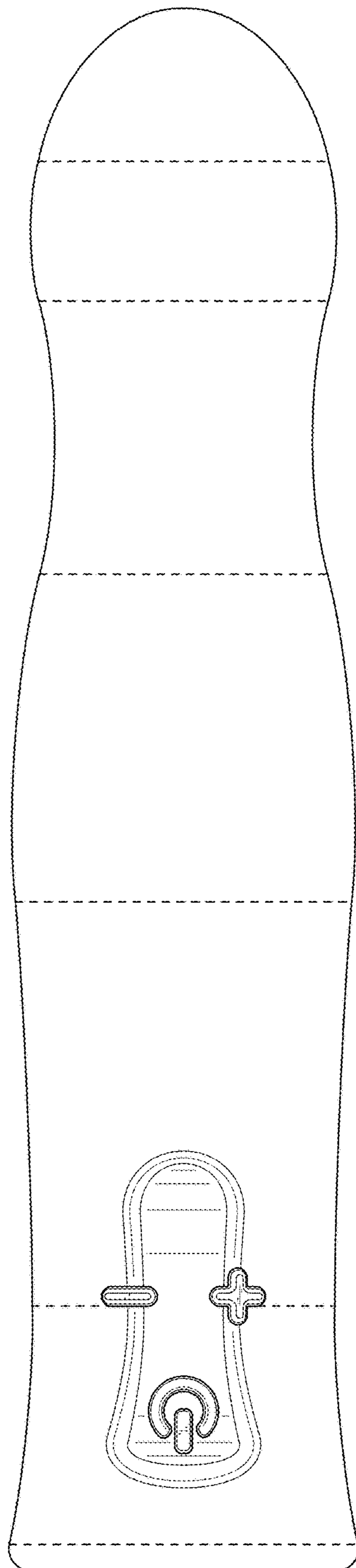


Fig. 13

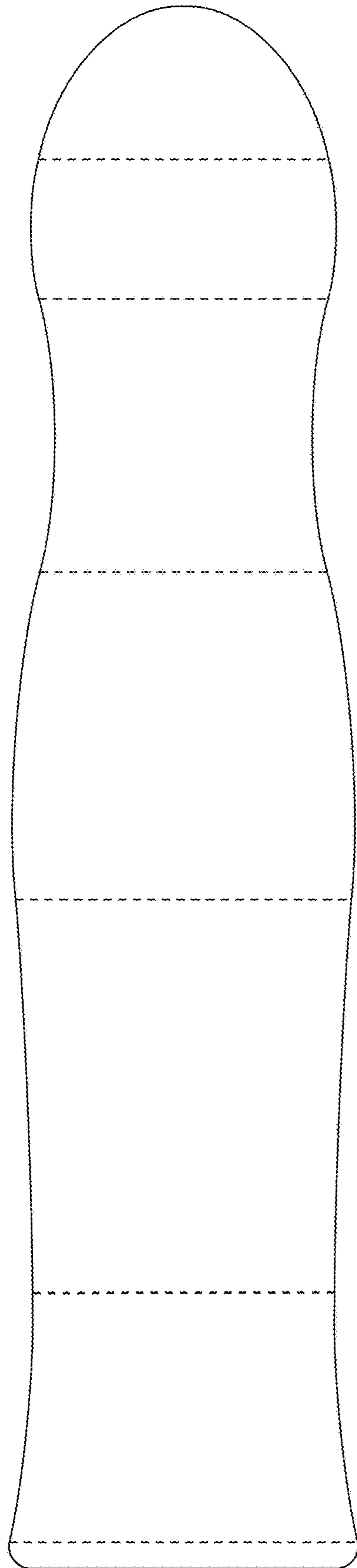


Fig. 14

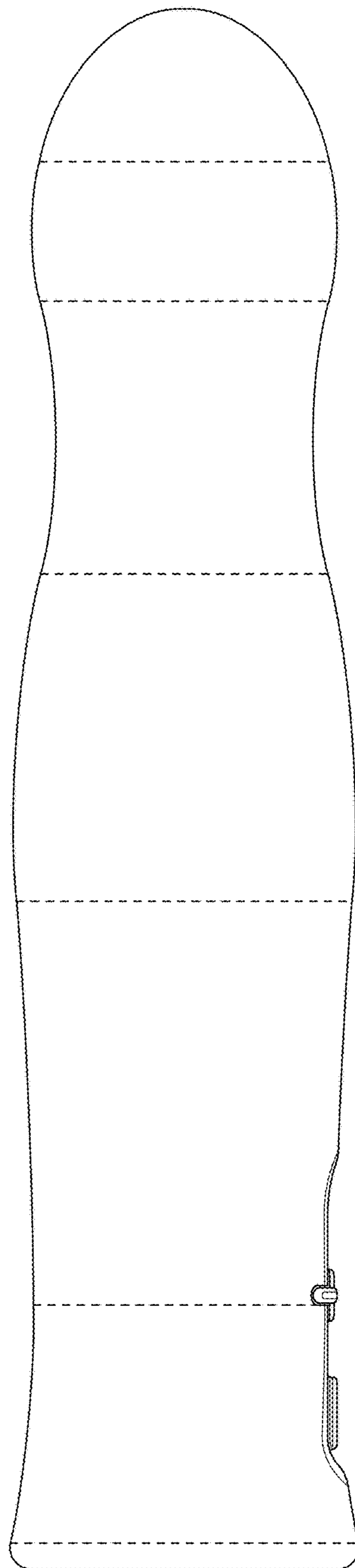


Fig. 15

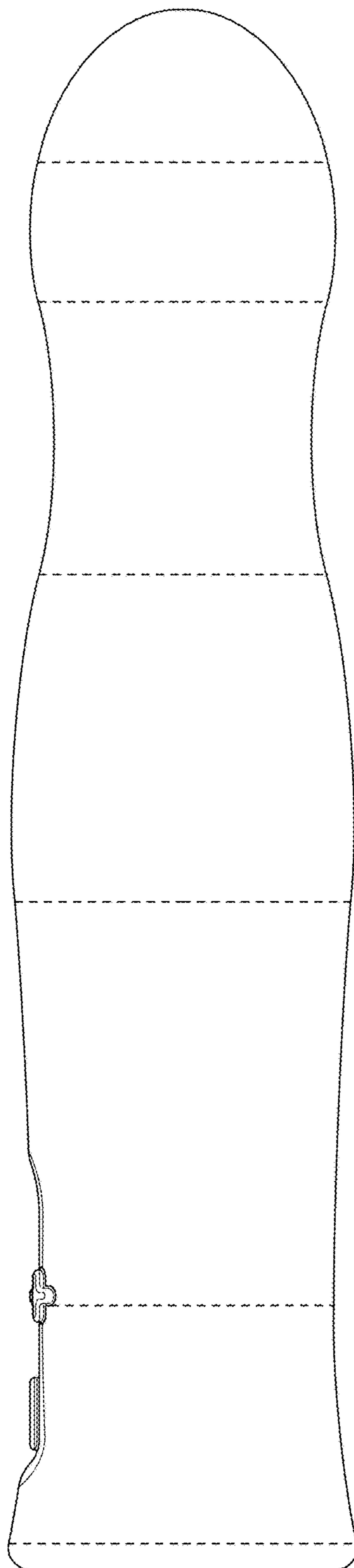


Fig. 16



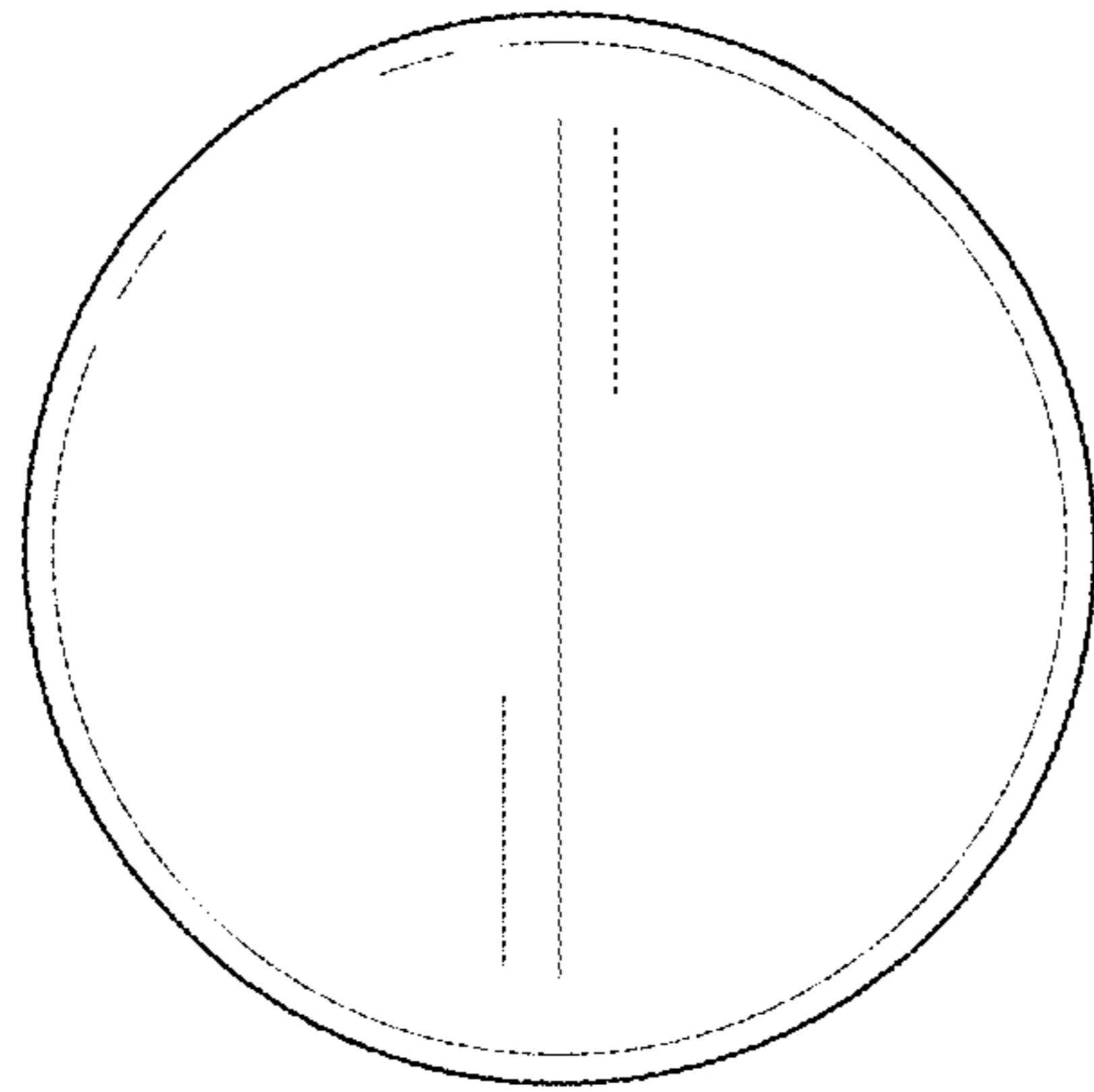


Fig. 17

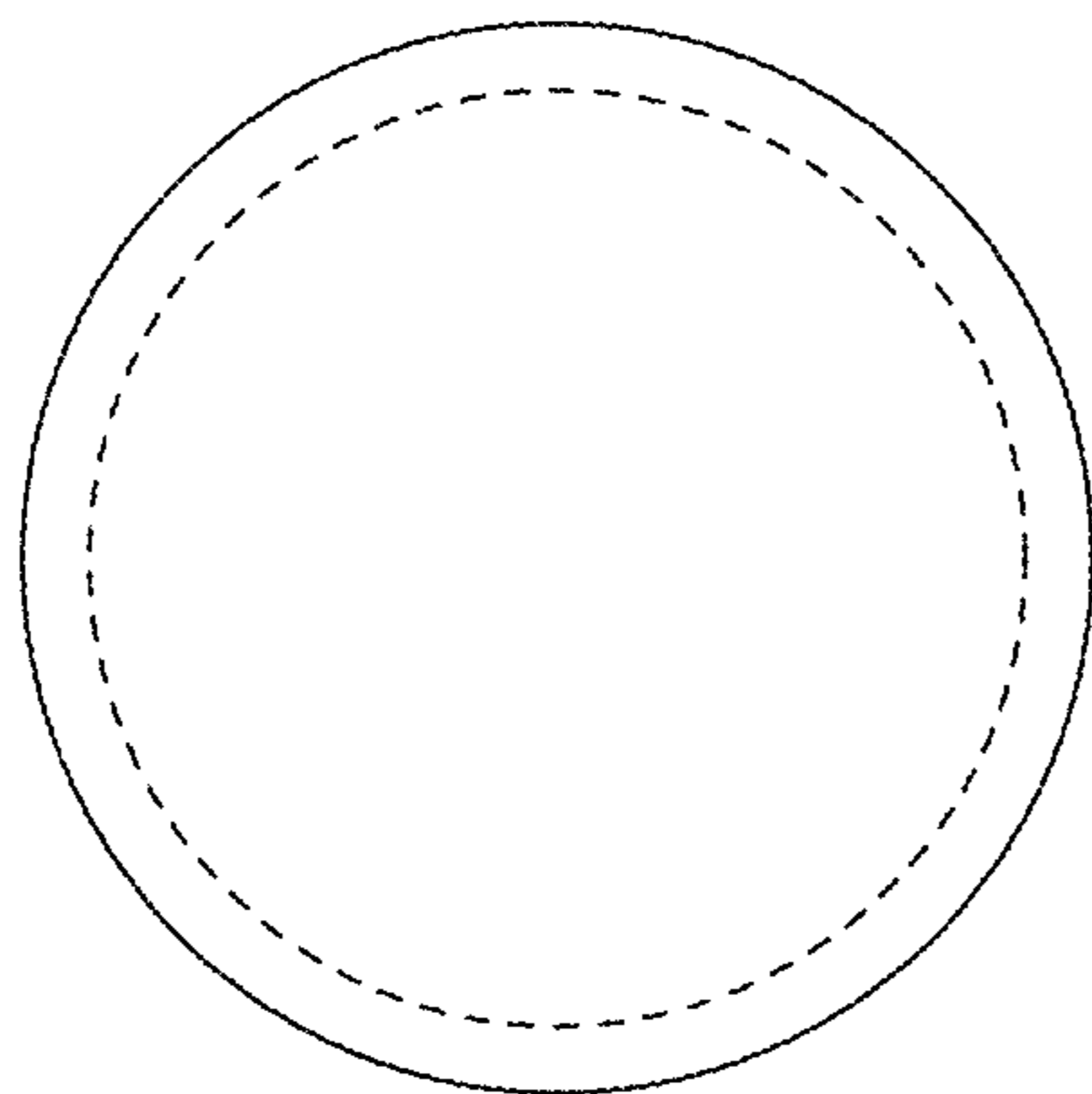


Fig. 18