



US00D773064S

(12) **United States Design Patent** (10) **Patent No.:** **US D773,064 S**  
**Sedic** (45) **Date of Patent:** **\*\* Nov. 29, 2016**

- (54) **SKIN MASSAGER**
- (71) Applicant: **Filip Sedic**, Stockholm (SE)
- (72) Inventor: **Filip Sedic**, Stockholm (SE)
- (\*\*) Term: **15 Years**
- (21) Appl. No.: **29/541,994**
- (22) Filed: **Oct. 9, 2015**
- (51) **LOC (10) Cl.** ..... **28-03**
- (52) **U.S. Cl.**  
USPC ..... **D24/214**
- (58) **Field of Classification Search**  
USPC ..... D24/200, 211, 212, 213, 214, 215;  
601/19, 27-32, 46, 48, 52, DIG. 12,  
601/DIG. 14, DIG. 15, DIG. 16, DIG. 17, 99,  
601/112, 113, 118, 119, 120, 121;  
D30/160; D14/218; D11/26  
CPC ..... A61H 19/30; A61H 19/32; A61H 19/34;  
A61H 19/40; A61H 19/44; A61H 19/50;  
A61H 19/00; A61H 2201/0153; A61H  
2201/0207; A61H 2201/0263; A61H  
2201/0111; A61H 2201/1253; A61H  
2205/082; A61H 2205/085; A61H 15/0085;  
A61H 15/0092  
See application file for complete search history.

- (56) **References Cited**  
U.S. PATENT DOCUMENTS  
D331,466 S \* 12/1992 Doria ..... D24/200  
D351,474 S \* 10/1994 Huang ..... D24/211  
(Continued)

- FOREIGN PATENT DOCUMENTS  
KR 30-0798457 S 5/2015

- OTHER PUBLICATIONS  
Japan Patent Office, Office Action, Japanese Patent Application No.  
2016-006717, Jul. 29, 2016, five pages.

Japan Patent Office, Office Action, Japanese Patent Application No.  
2016-006716, Jul. 29, 2016, five pages.

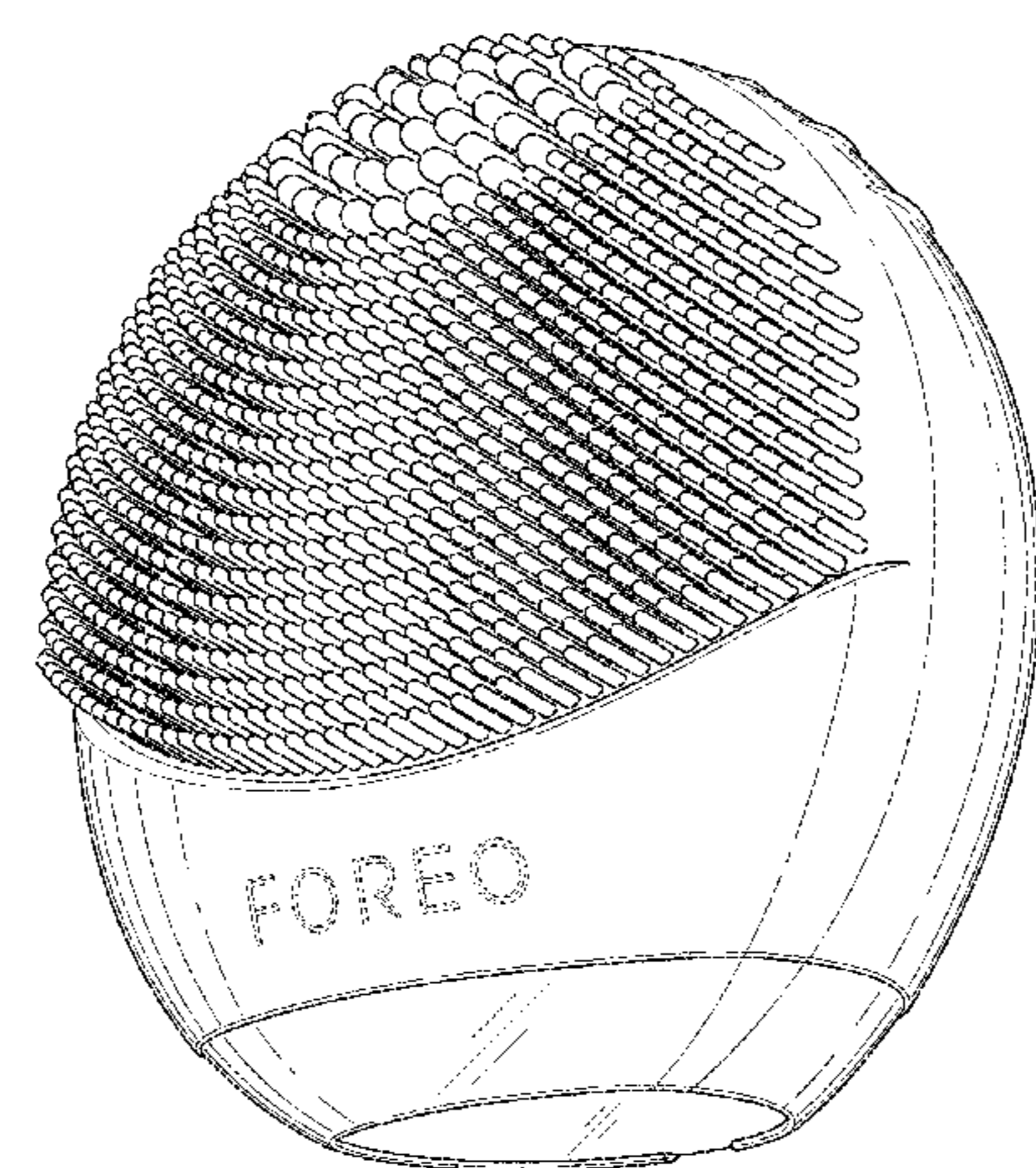
*Primary Examiner* — Sandra Snapp  
(74) *Attorney, Agent, or Firm* — Fenwick & West LLP

(57) **CLAIM**  
I claim the ornamental design for a skin massager, as shown  
and described.

**DESCRIPTION**

FIG. 1 is a lower front right perspective view of a first embodiment of the skin massager.  
 FIG. 2 is a front view of the first embodiment of the skin massager.  
 FIG. 3 is a rear view of the first embodiment of the skin massager.  
 FIG. 4 is a left side view of the first embodiment of the skin massager.  
 FIG. 5 is a right side view of the first embodiment of the skin massager.  
 FIG. 6 is a top view of the first embodiment of the skin massager.  
 FIG. 7 is a bottom view of the first embodiment of the skin massager.  
 FIG. 8 is a lower front right perspective view of a second embodiment of the skin massager.  
 FIG. 9 is a front view of the second embodiment of the skin massager.  
 FIG. 10 is a rear view of the second embodiment of the skin massager.  
 FIG. 11 is a left side view of the second embodiment of the skin massager.  
 FIG. 12 is a right side view of the second embodiment of the skin massager.  
 FIG. 13 is a top view of the second embodiment of the skin massager; and,  
 FIG. 14 is a bottom view of the second embodiment of the skin massager.  
 The broken lines are directed to environment and are for illustrative purposes only; the broken lines form no part of the claimed design.

**1 Claim, 14 Drawing Sheets**



(56)

References Cited

U.S. PATENT DOCUMENTS

D369,220 S \* 4/1996 Huang ..... D24/215  
D423,109 S \* 4/2000 Allende ..... D24/215  
6,226,811 B1 \* 5/2001 Fagan ..... A47K 7/024  
15/207.2  
D466,217 S \* 11/2002 Harris ..... D24/215  
D478,174 S \* 8/2003 Huang ..... D24/212  
D517,218 S \* 3/2006 Kalen ..... D24/215  
D523,561 S \* 6/2006 Telford ..... D24/215  
D569,106 S \* 5/2008 Maruyama ..... D4/100  
D571,926 S \* 6/2008 Wu ..... D24/215

D576,736 S \* 9/2008 Hagege ..... D24/215  
D595,898 S \* 7/2009 Syran ..... D28/63  
D626,656 S \* 11/2010 Jarry ..... D24/215  
D635,720 S \* 4/2011 Cammarano ..... D24/212  
D645,569 S \* 9/2011 Nitsch ..... D24/215  
D671,281 S \* 11/2012 Singer ..... D30/158  
D674,108 S \* 1/2013 York ..... D24/215  
D698,455 S \* 1/2014 Sedic ..... D24/215  
D712,058 S \* 8/2014 Huang ..... D24/215  
D715,010 S \* 10/2014 Beaver ..... D32/47  
D716,961 S \* 11/2014 Sedic ..... D24/215  
D734,481 S \* 7/2015 Sedic ..... D24/215

\* cited by examiner



FIG. 1



FIG. 2

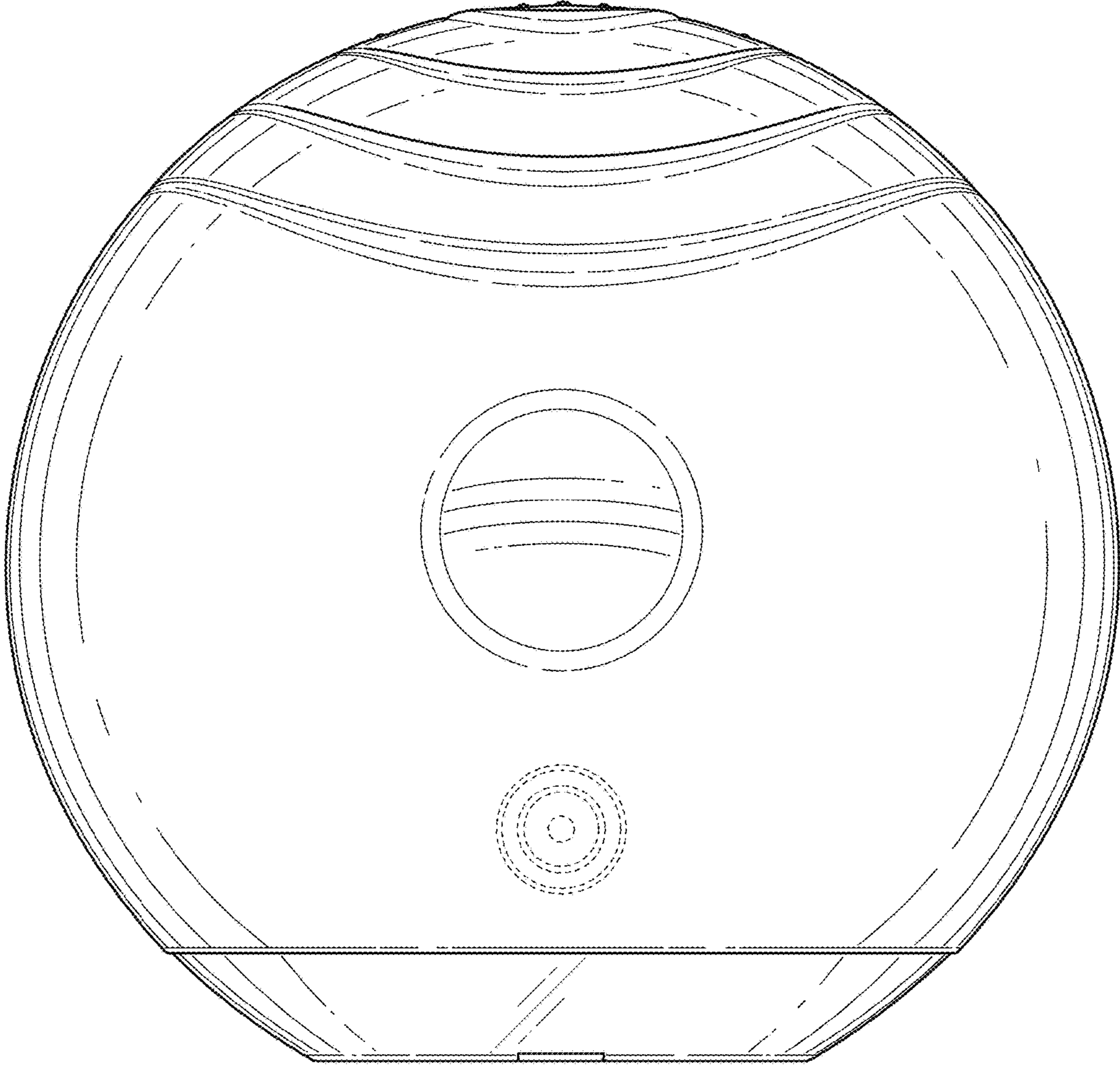


FIG. 3

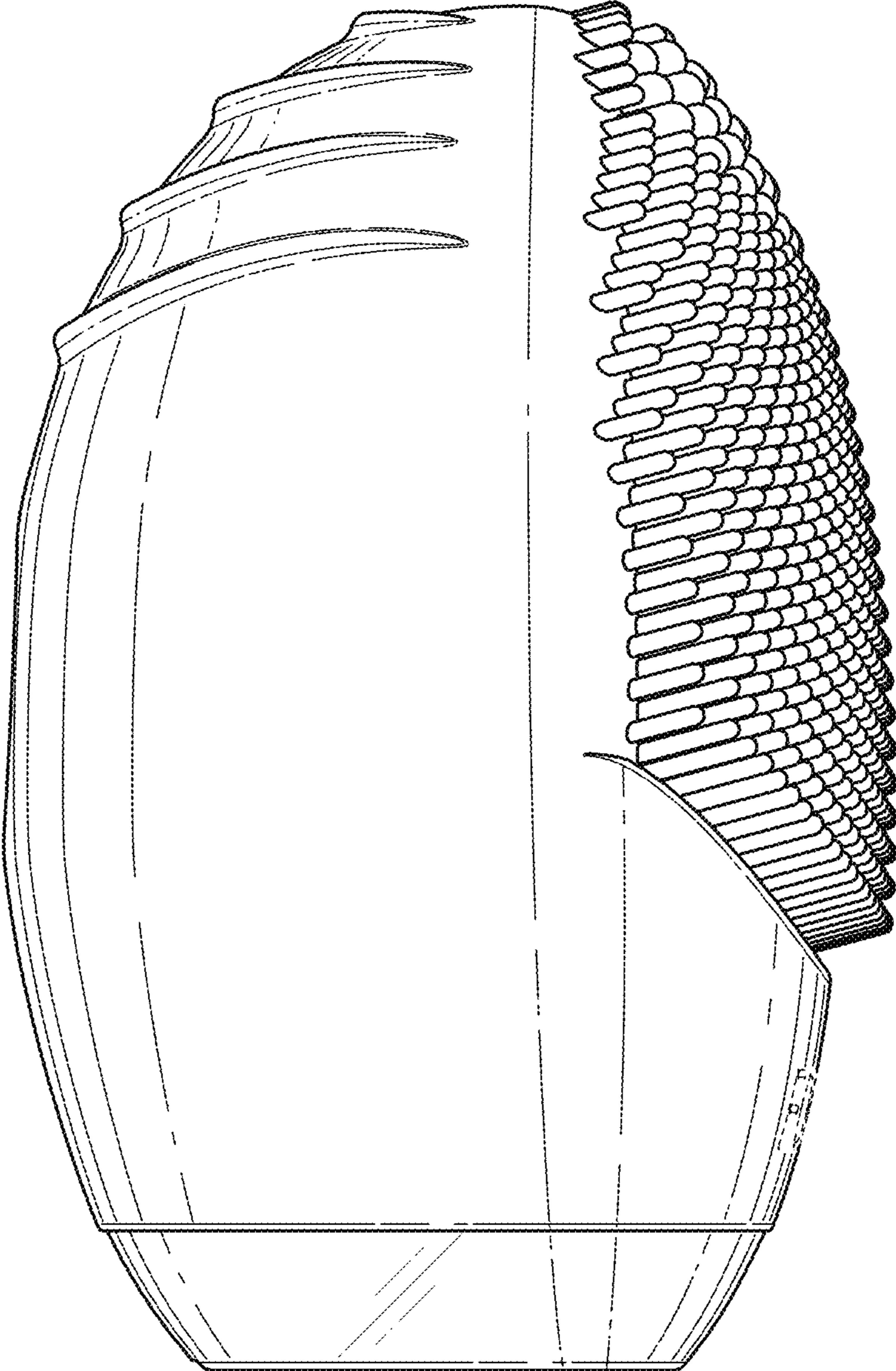


FIG. 4

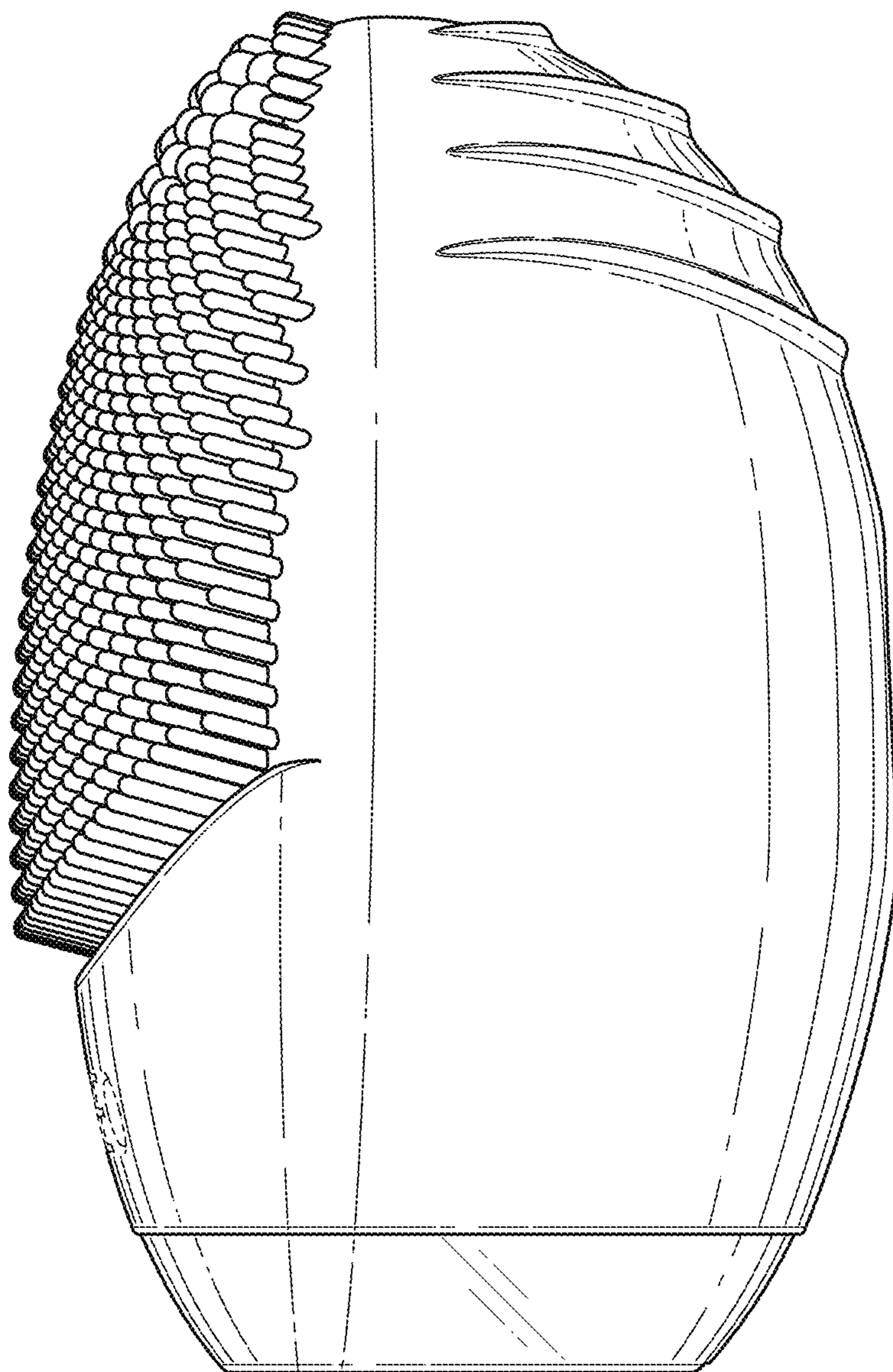


FIG. 5

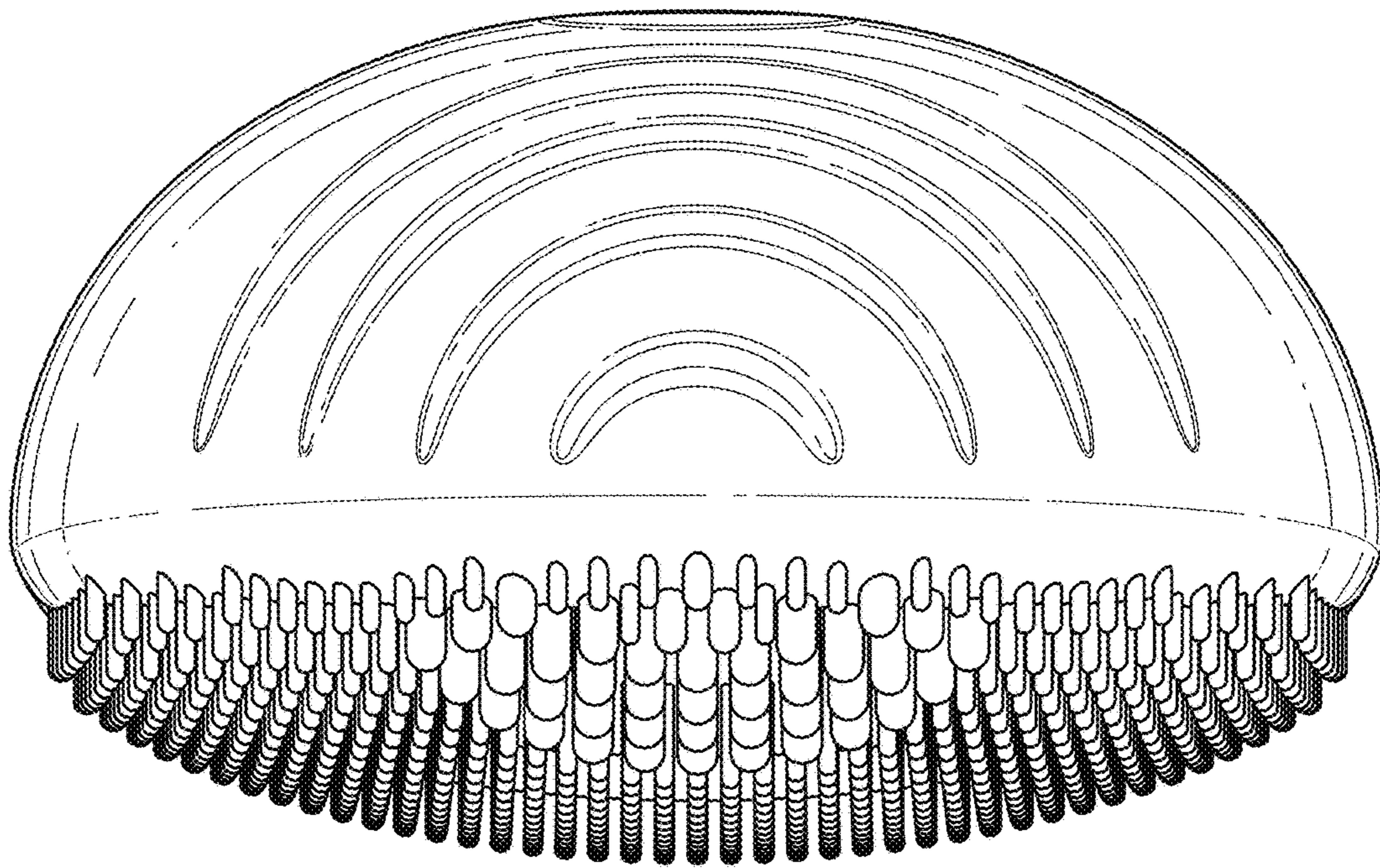


FIG. 6



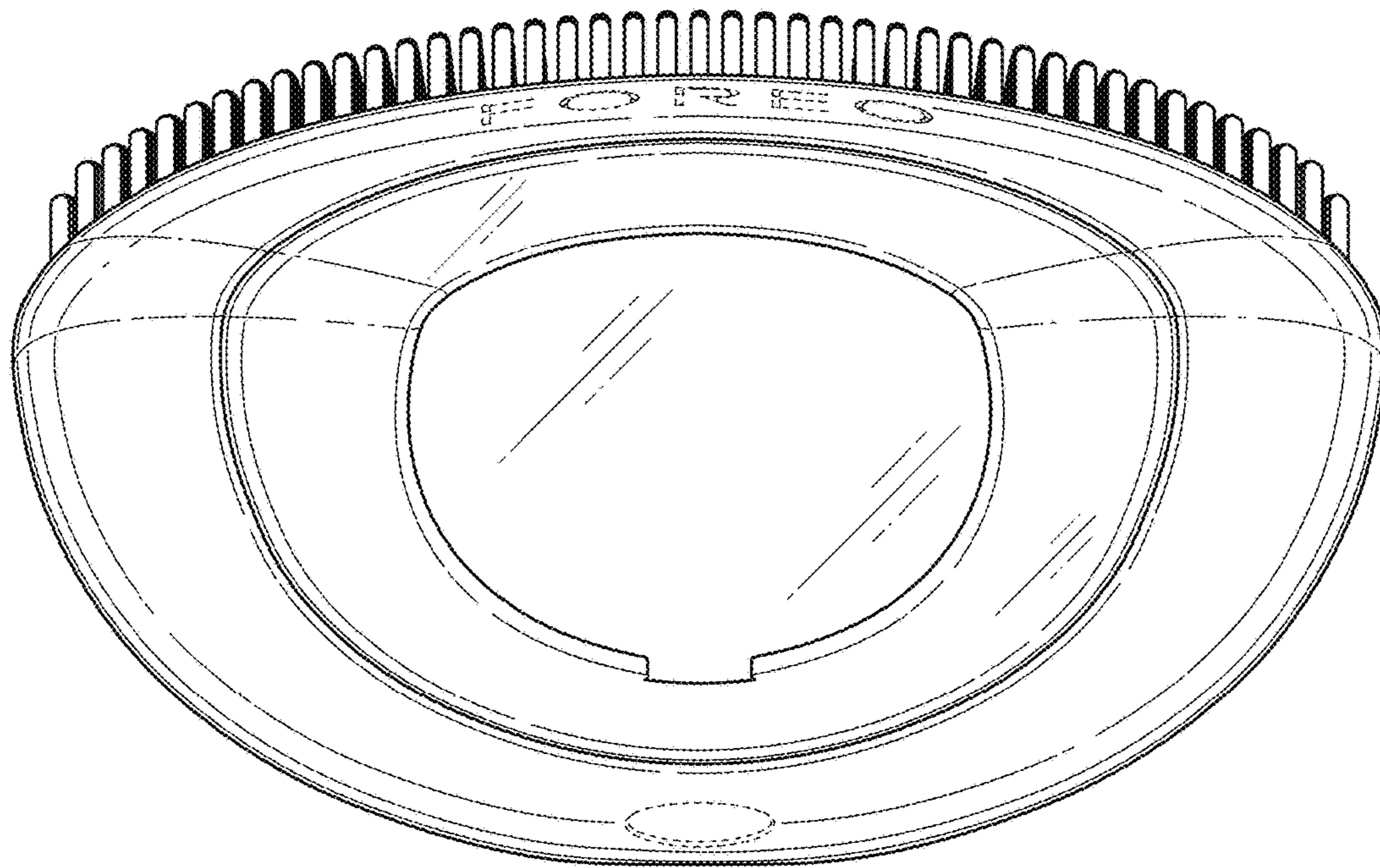


FIG. 7



FIG. 8



FIG. 9

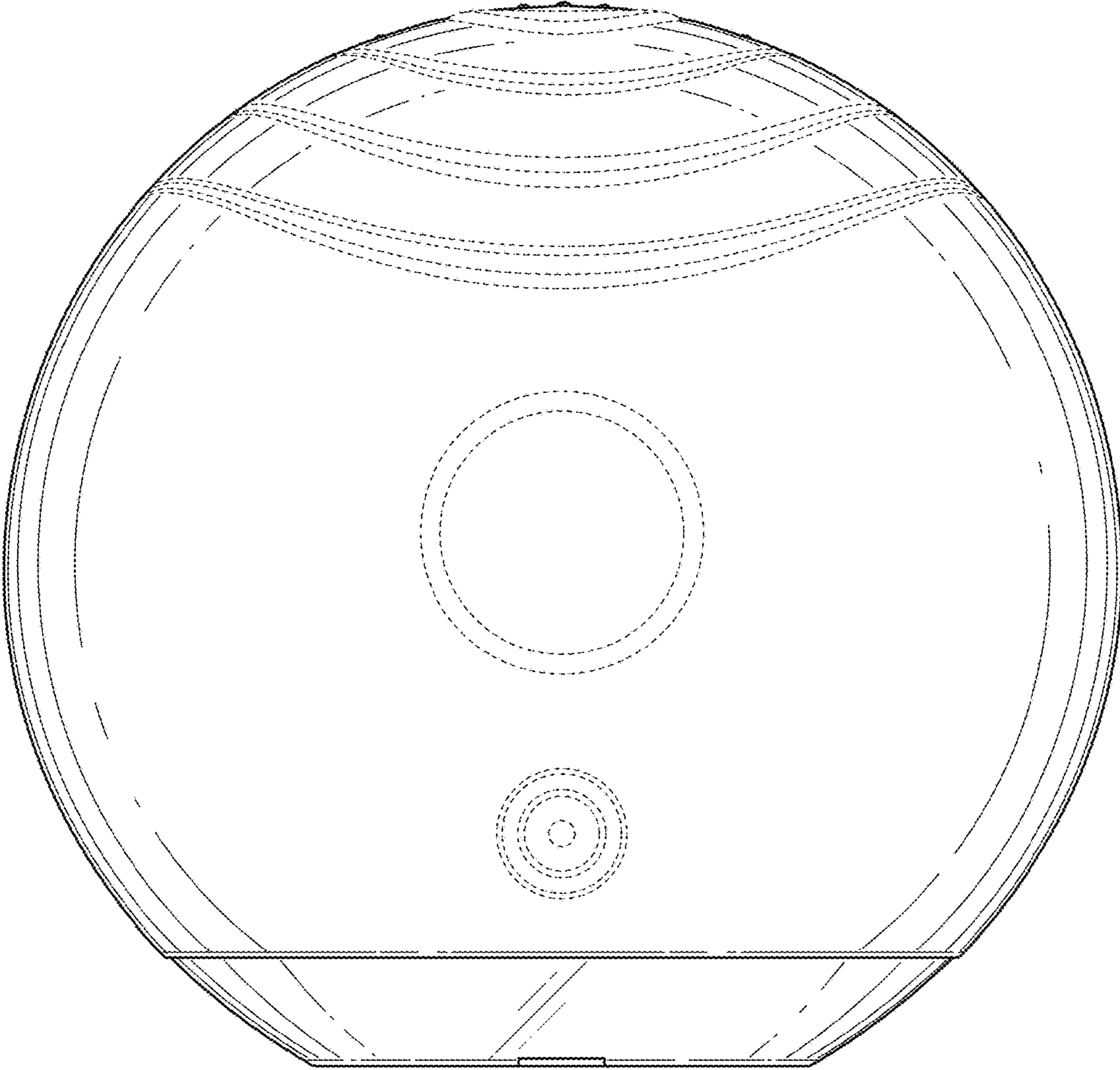


FIG. 10

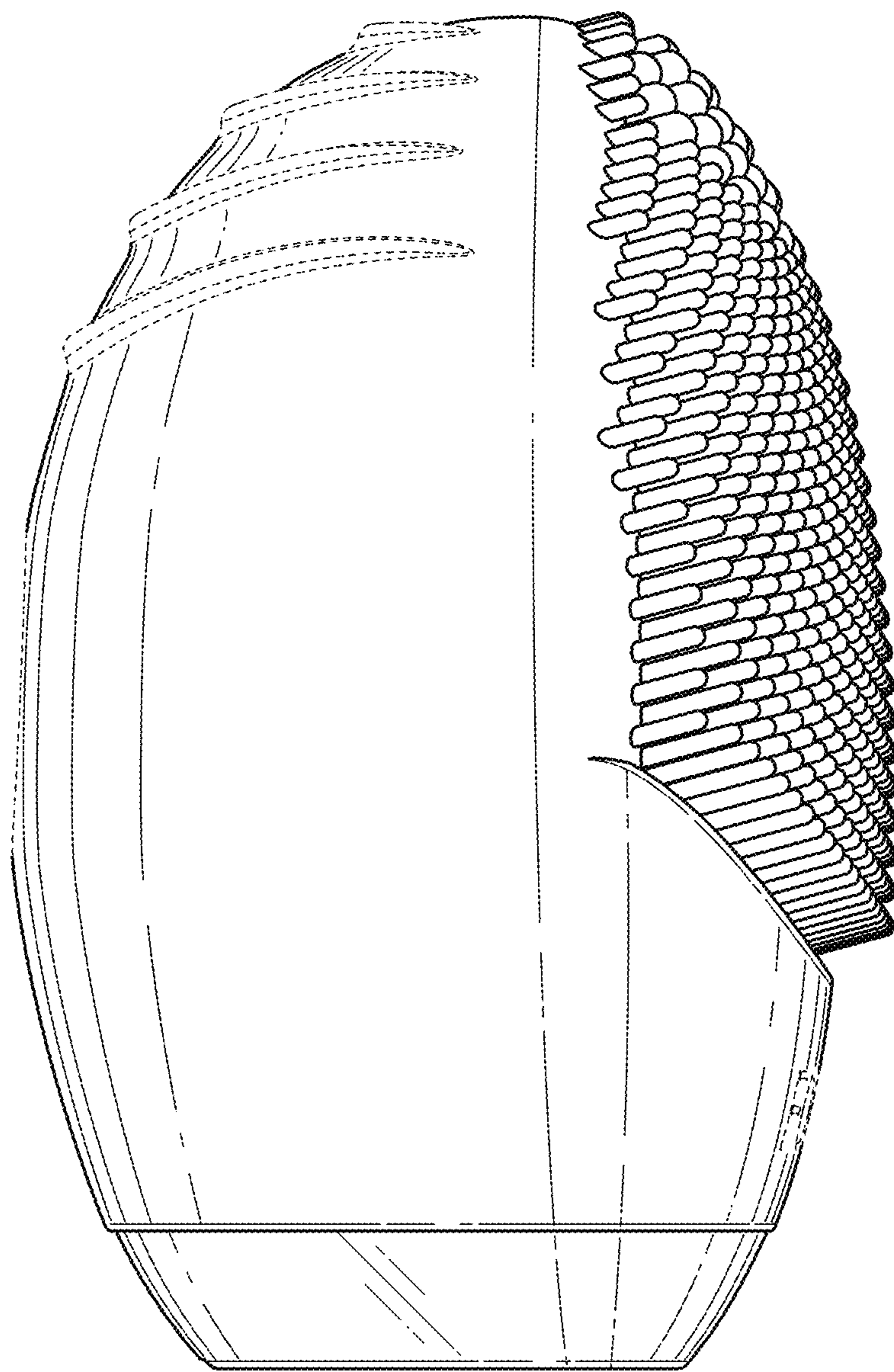


FIG. 11

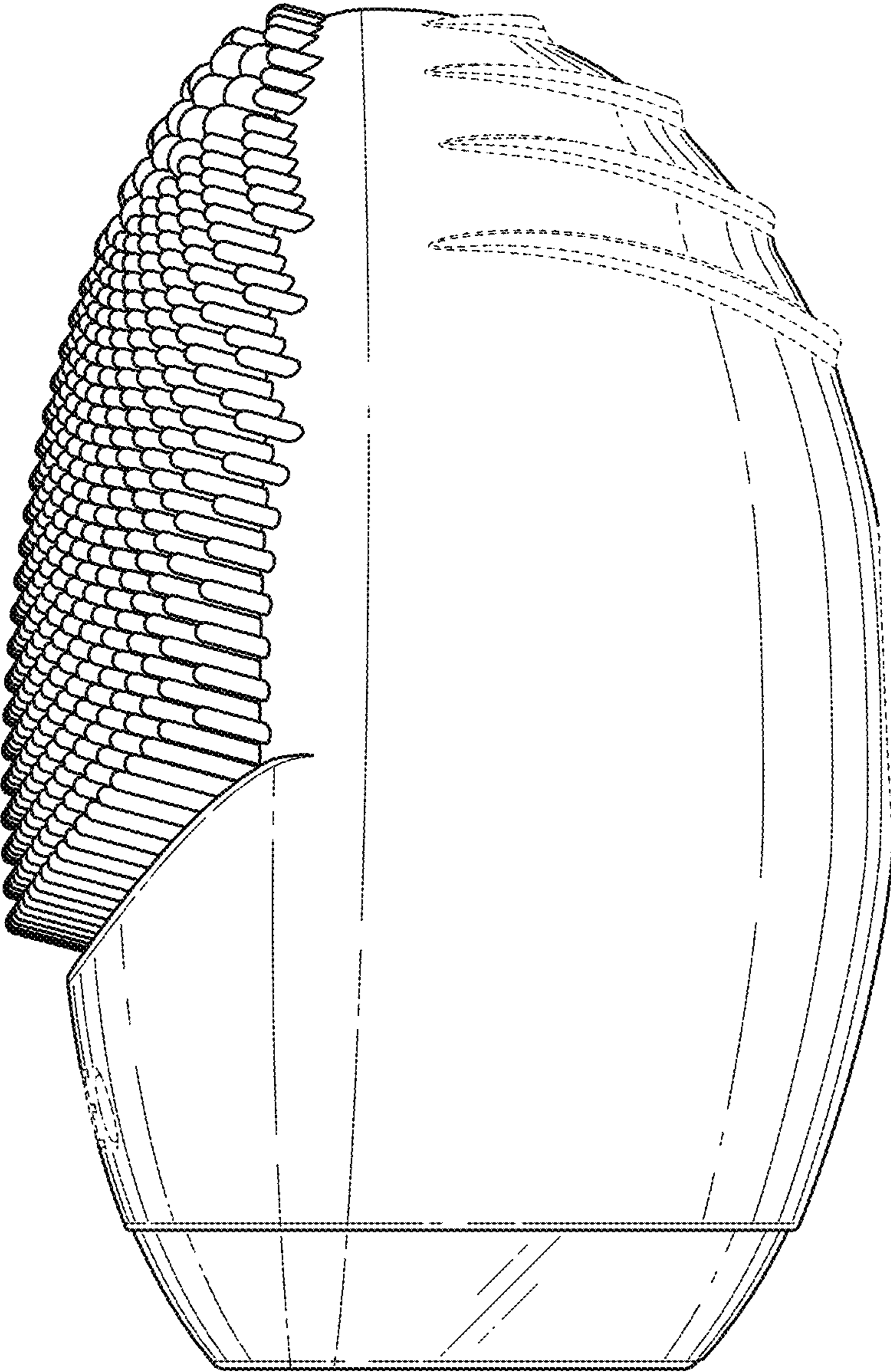


FIG. 12

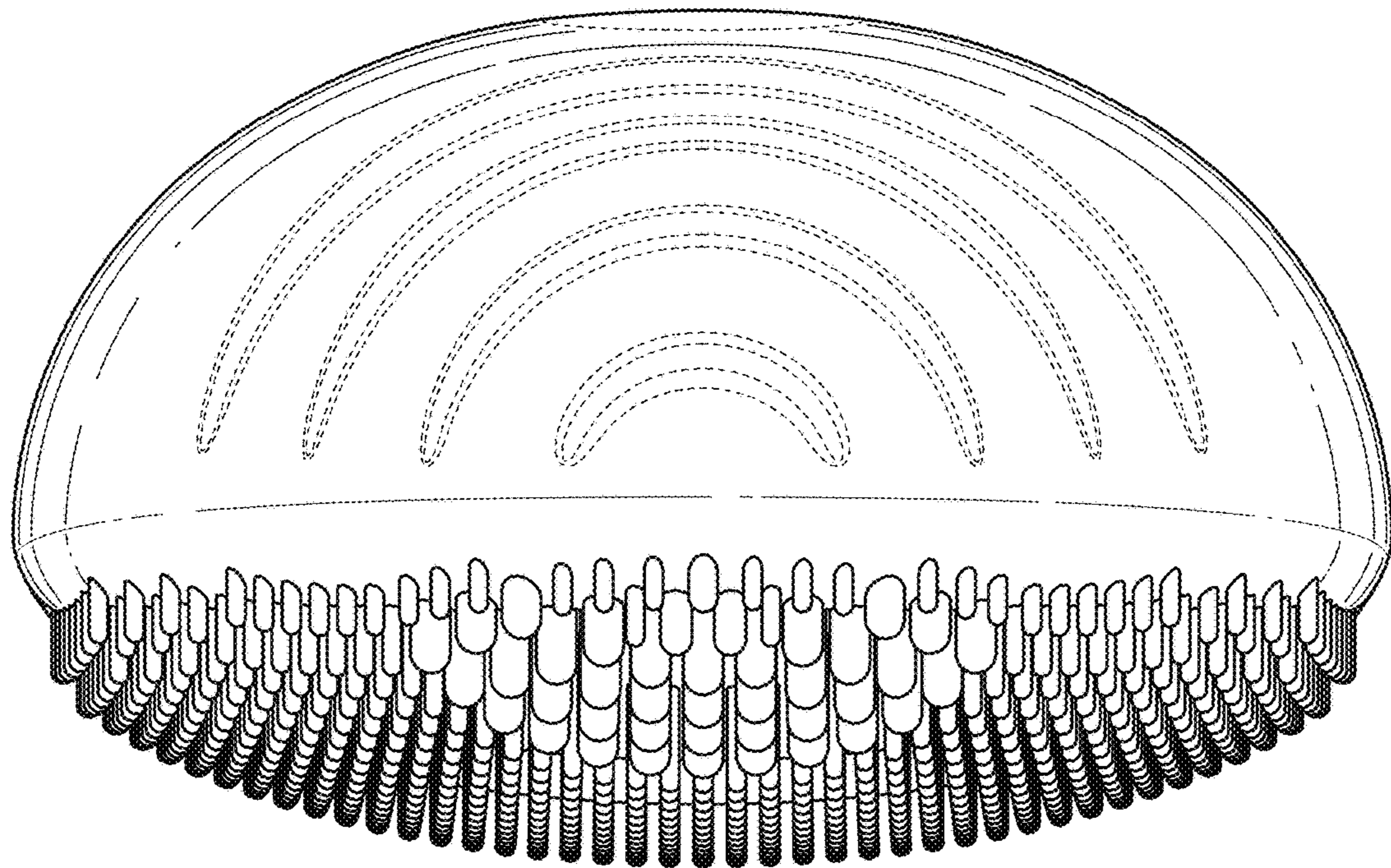


FIG. 13

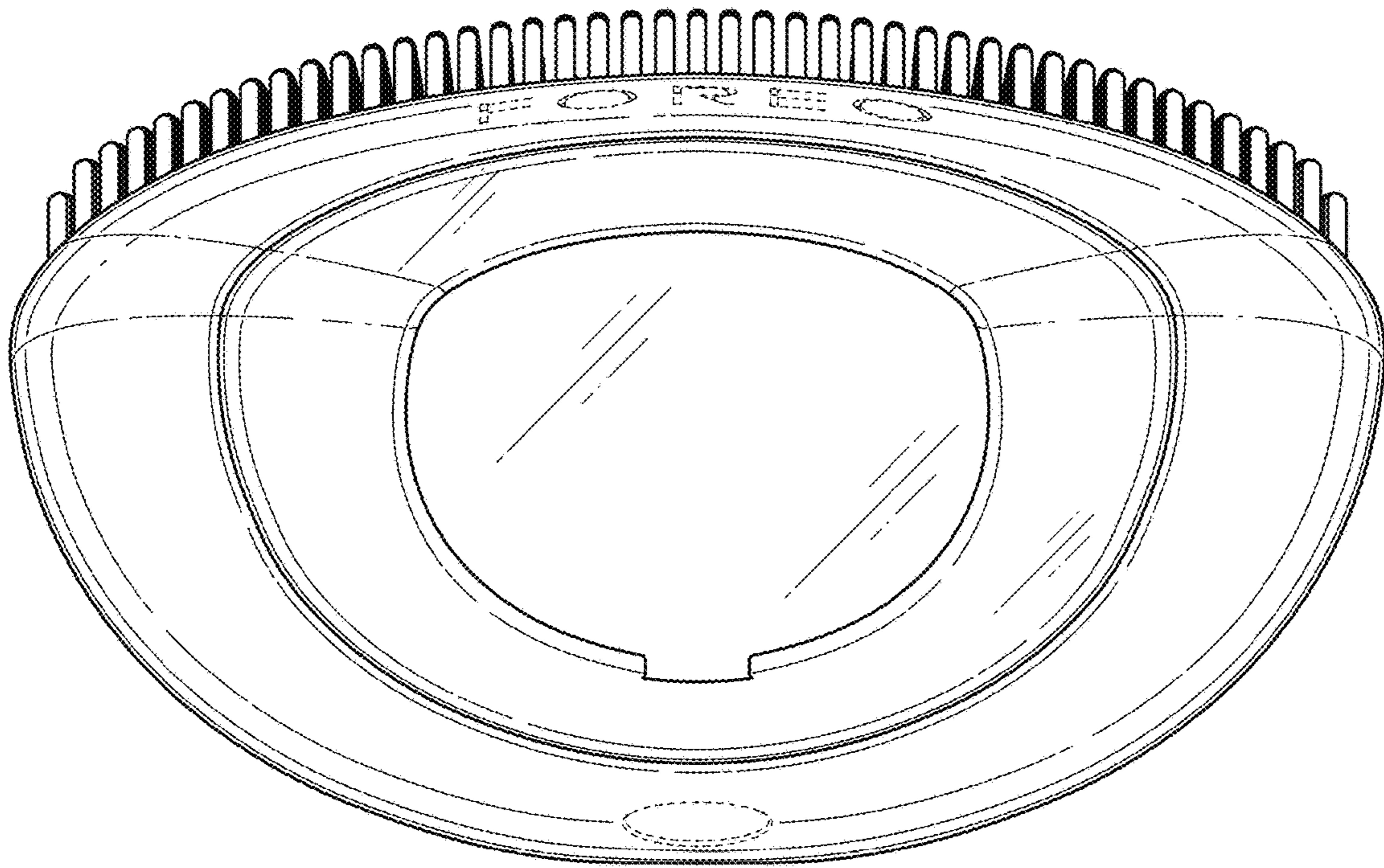


FIG. 14



UNITED STATES PATENT AND TRADEMARK OFFICE  
**CERTIFICATE OF CORRECTION**

PATENT NO. : D773,064 S  
APPLICATION NO. : 29/541994  
DATED : November 29, 2016  
INVENTOR(S) : Filip Sedic

Page 1 of 1

It is certified that error appears in the above-identified patent and that said Letters Patent is hereby corrected as shown below:

In the Title:

(54) replace "Skin Massager" with --Skin Cleanser--.

In the Claim:

(57) replace "skin massager" with --skin cleanser--.

In the Description:

Line 2, replace "skin massager" with --skin cleanser--.

Lines 3-4, replace "skin massager" with --skin cleanser--.

Lines 5-6, replace "skin massager" with --skin cleanser--.

Lines 7-8, replace "skin massager" with --skin cleanser--.

Lines 9-10, replace "skin massager" with --skin cleanser--.

Lines 11-12, replace "skin massager" with --skin cleanser--.

Lines 13-14, replace "skin massager" with --skin cleanser--.

Line 16, replace "skin massager" with --skin cleanser--.

Lines 17-18, replace "skin massager" with --skin cleanser--.

Lines 19-20, replace "skin massager" with --skin cleanser--.

Line 22, replace "skin massager" with --skin cleanser--.

Line 24, replace "skin massager" with --skin cleanser--.

Lines 25-26, replace "skin massager" with --skin cleanser--.

Line 28, replace "skin massager" with --skin cleanser--.

Signed and Sealed this  
Twenty-seventh Day of June, 2017



Joseph Matal  
*Performing the Functions and Duties of the  
Under Secretary of Commerce for Intellectual Property and  
Director of the United States Patent and Trademark Office*