



US00D773063S

(12) **United States Design Patent**
Lin et al.

(10) **Patent No.:** **US D773,063 S**

(45) **Date of Patent:** **** Nov. 29, 2016**

(54) **OCTAGONAL INFLATABLE SPA**
(71) Applicant: **Intex Recreation Corporation**, Long Beach, CA (US)

5,345,622 A 9/1994 Plone
D383,853 S * 9/1997 Enns D25/2
D386,238 S 11/1997 Peterson
5,735,000 A 4/1998 Pfaeffle
D404,457 S * 1/1999 Peterson D21/815

(72) Inventors: **Hua Hsiang Lin**, Haicang (CN); **Yaw Yuan Hsu**, Haicang (CM)

(Continued)

(73) Assignee: **INTEX MARKETING LTD.**, Tortola (VG)

FOREIGN PATENT DOCUMENTS

CN 3449734 5/2005
CN 3449739 * 5/2005

(**) Term: **14 Years**

(Continued)

(21) Appl. No.: **29/501,316**

OTHER PUBLICATIONS

(22) Filed: **Sep. 3, 2014**

Intex 79in x 79in x 28in PureSpa Portable Jet & Bubble Deluxe Set, posted at Amazon.com, posting date Feb. 7, 2014, © 1996-2015 Amazon.com, [online], [site visited Nov. 18, 2015]. Available from Internet, <URL: <http://www.amazon.com/dp/B00PHWXI8M>>.*

(30) **Foreign Application Priority Data**

(Continued)

Mar. 3, 2014 (CN) 2014 3 0039608

(51) **LOC (10) Cl.** **21-02**

(52) **U.S. Cl.**
USPC **D24/205**; D21/815

(58) **Field of Classification Search**
USPC D23/276-278, 280.1-280.3; D24/200, D24/201, 202, 203, 204, 206; D25/2; 4/541.1-541.6, 547, 578.1, 579; 601/154-158
CPC .. A61H 33/00; A61H 33/0087; A61H 33/02; A61H 33/60; A61H 33/6063; E04H 2004/0068

See application file for complete search history.

Primary Examiner — Susan E Krakower
Assistant Examiner — Lisa A Grabenstetter
(74) *Attorney, Agent, or Firm* — Faegre Baker Daniels LLP

(57) **CLAIM**

The ornamental design for an octagonal inflatable spa, as shown and described.

DESCRIPTION

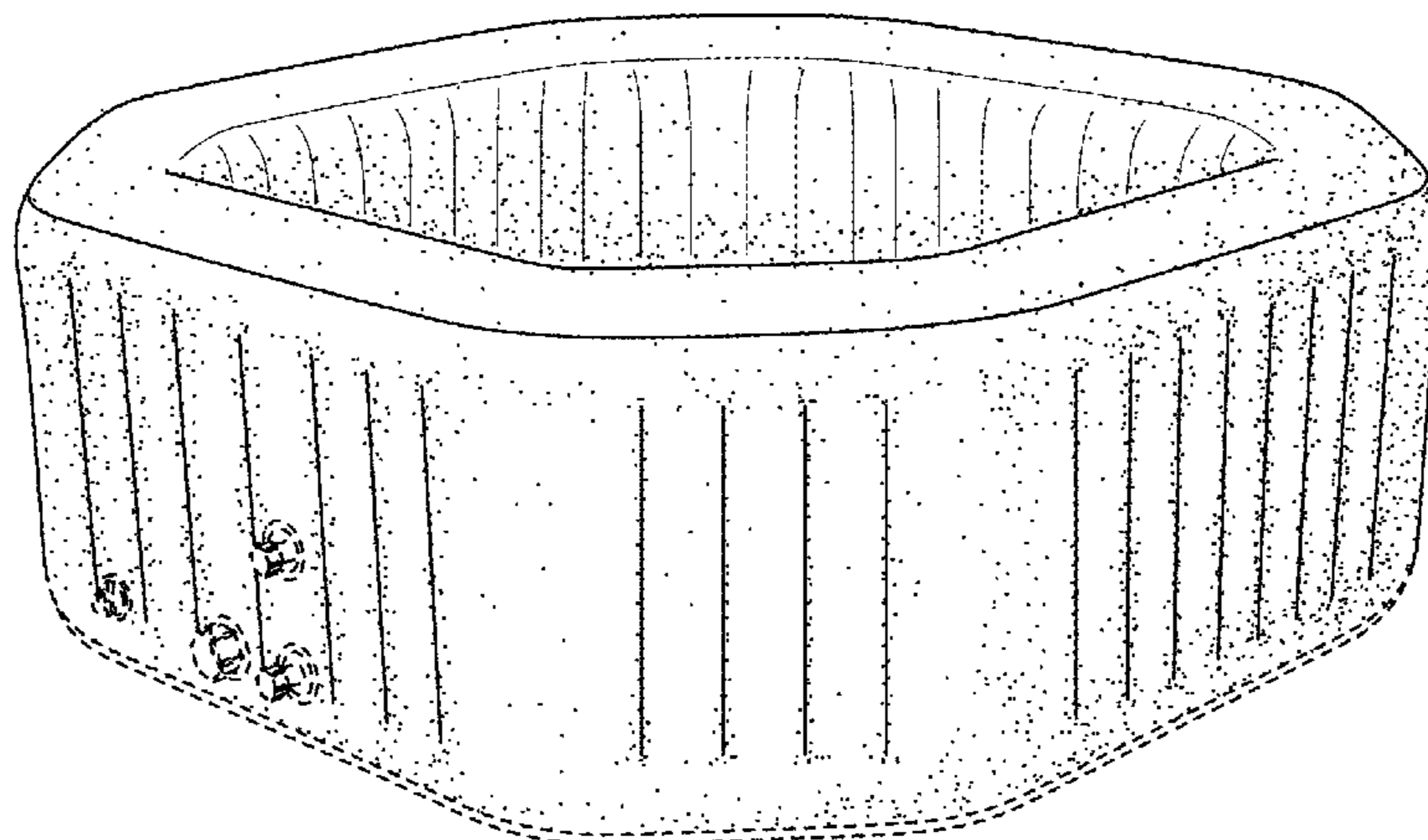
(56) **References Cited**

FIG. 1 is a perspective view of an octagonal inflatable spa showing our new design;
FIG. 2 is a top plan view thereof;
FIG. 3 is a bottom plan view thereof;
FIG. 4 is a first side elevational view thereof; and,
FIG. 5 is a second side elevational view thereof.
The broken lines in FIGS. 1-5 represent unclaimed portions of the octagonal inflatable spa and form no part of the claimed design.

U.S. PATENT DOCUMENTS

3,092,101 A 6/1963 Kinney
D224,241 S * 7/1972 Tytel D21/815
D224,306 S * 7/1972 Anderson D23/278
4,535,490 A 8/1985 Wright
4,599,753 A * 7/1986 Goodman 4/541.3
D293,364 S 12/1987 Everard
5,101,823 A 4/1992 Smith
5,135,440 A 8/1992 Smollar et al.

1 Claim, 5 Drawing Sheets



(56)

References Cited

U.S. PATENT DOCUMENTS

D408,546 S * 4/1999 Carreau D25/2
D409,707 S 5/1999 Peterson
D425,165 S * 5/2000 Klimenko D21/815
6,209,150 B1 4/2001 Hsu et al.
6,412,123 B1 7/2002 Lau
D554,729 S * 11/2007 Peterson D21/815
7,434,277 B1 * 10/2008 Brennan 4/541.4
7,987,531 B2 8/2011 West
2004/0040083 A1 3/2004 Bentley

FOREIGN PATENT DOCUMENTS

CN 300739460 1/2008

CN 300779205 5/2008
CN 300943576 6/2009
CN 301171705 S 4/2010
CN 301398132 S 12/2010
GB 3019551 * 3/2005
JP D1238016 * 5/2005

OTHER PUBLICATIONS

Intex, PureSpa Catalogue, dated Mar. 1, 2013, 2 pages.

* cited by examiner

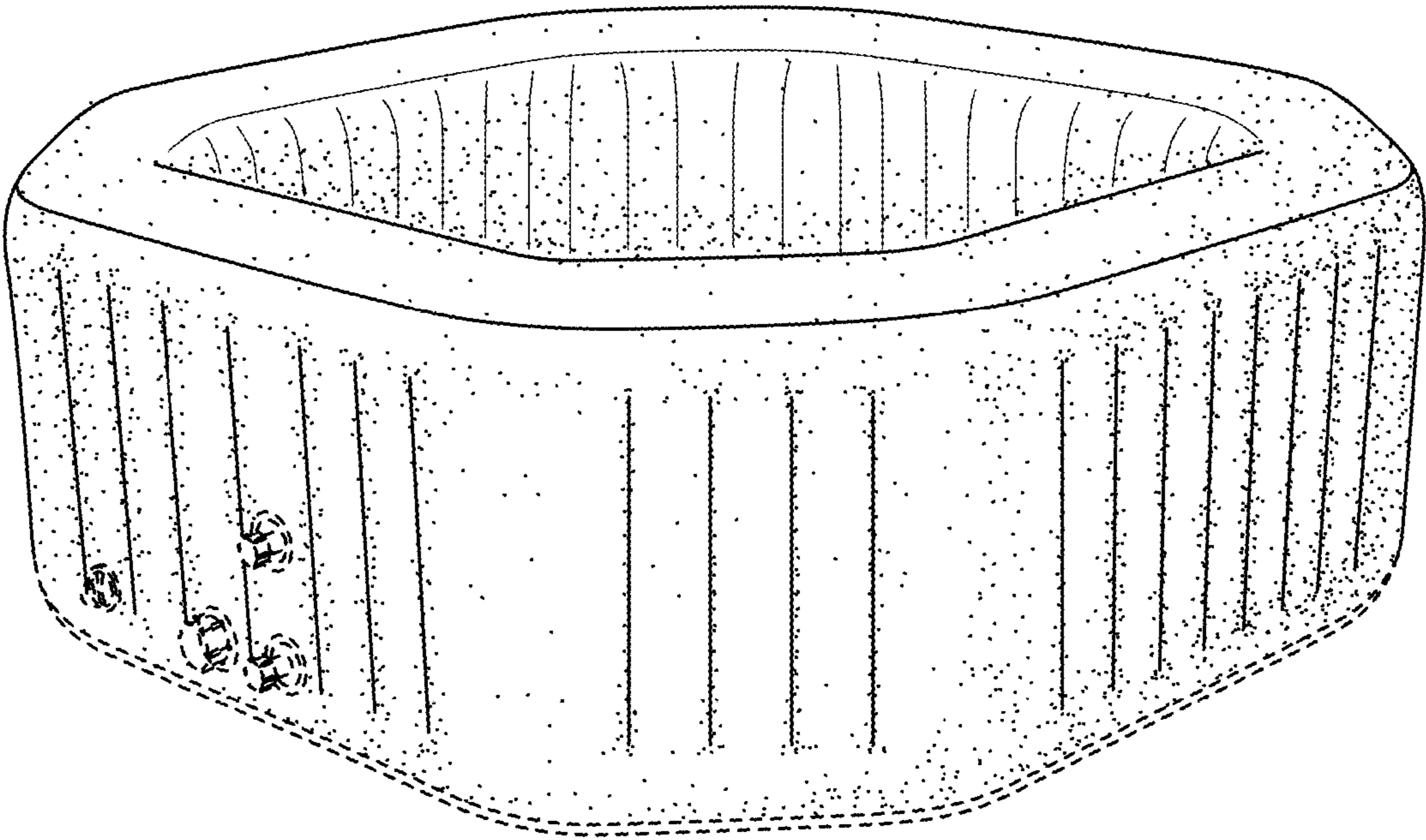


FIG. 1

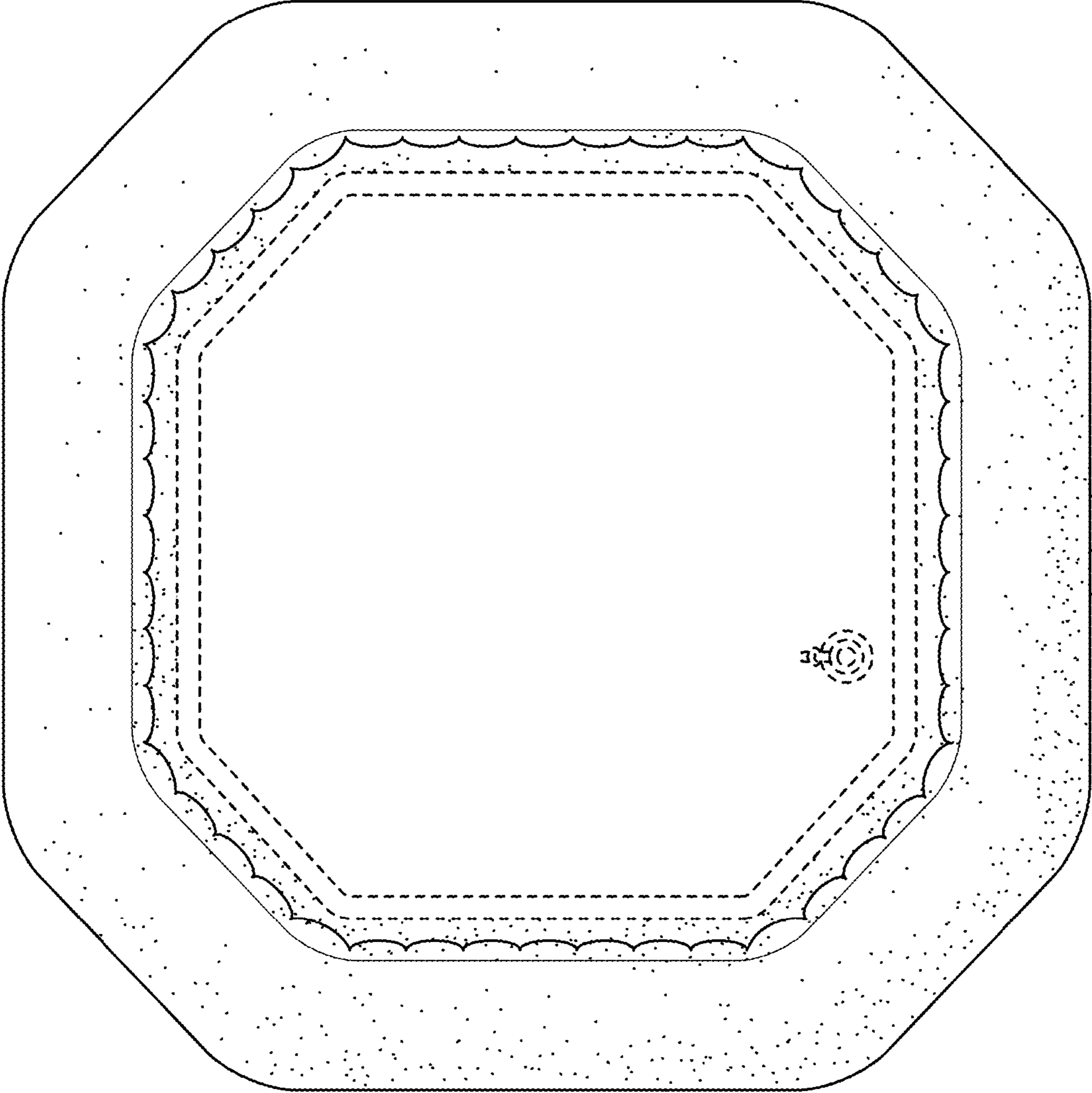


FIG. 2

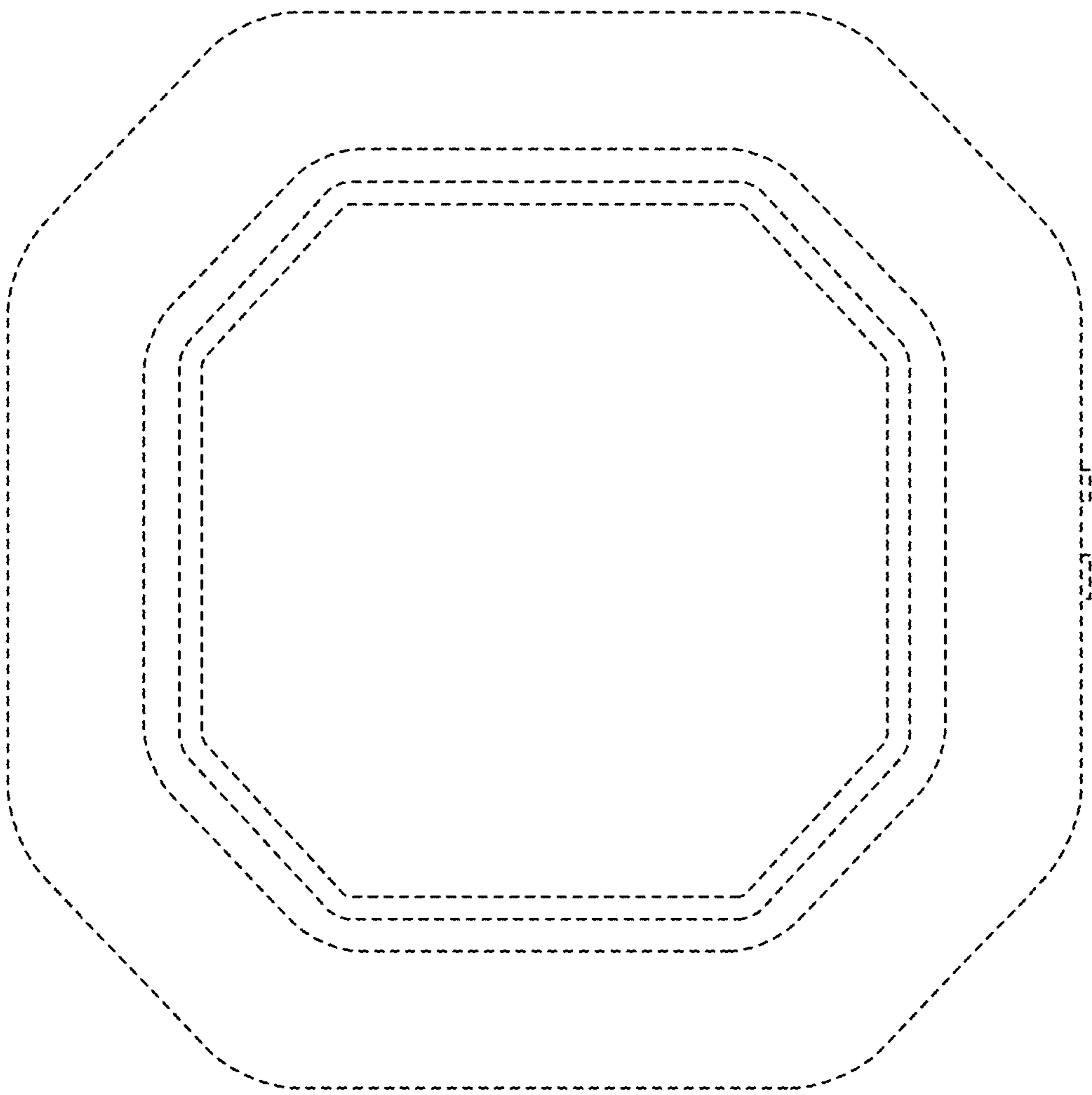


FIG. 3

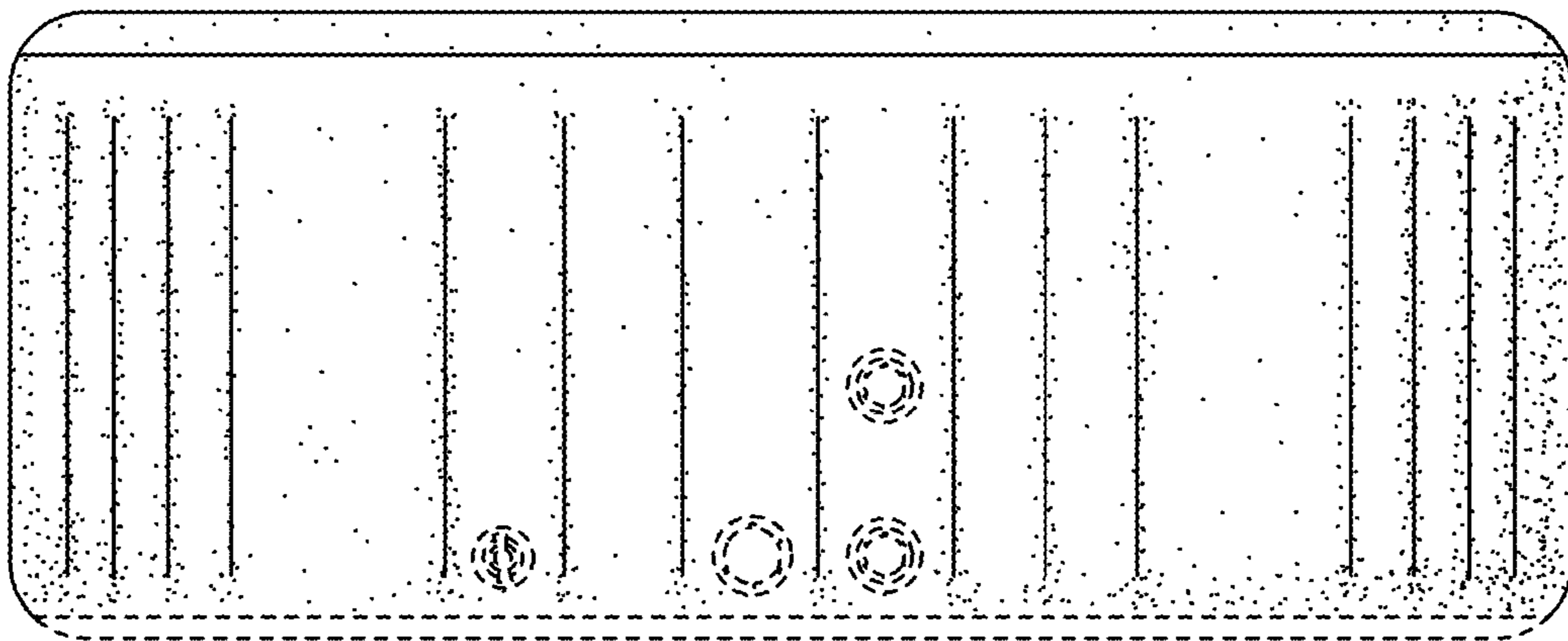


FIG. 4

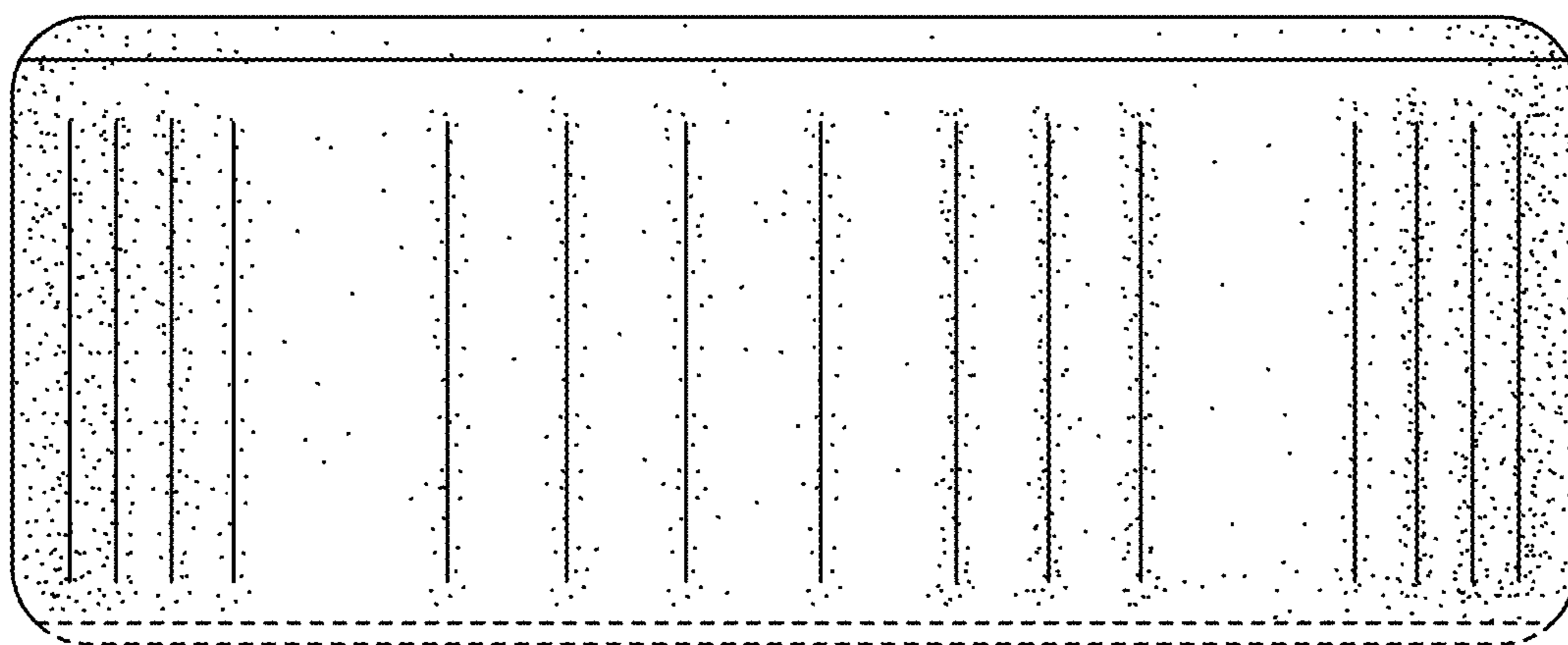


FIG. 5