



US00D773061S

(12) **United States Design Patent** (10) **Patent No.:** **US D773,061 S**
Loebel et al. (45) **Date of Patent:** **** Nov. 29, 2016**

(54) **LIGHT-EMITTING DIODE AND REJUVENATING MASSAGE DEVICE**

(71) Applicant: **Joylux, Inc.**, Seattle, WA (US)

(72) Inventors: **Nicolas Loebel**, Woodinville, WA (US);
Colette Courtion, Seattle, WA (US);
Yana Klimava, Gatineau (CA); **Patrick Williams**, Ottawa (CA)

(73) Assignee: **Joylux, Inc.**, Seattle, WA (US)

(**) Term: **15 Years**

(21) Appl. No.: **29/541,454**

(22) Filed: **Oct. 2, 2015**

(51) **LOC (10) Cl.** **28-03**

(52) **U.S. Cl.**
USPC **D24/200; D24/215**

(58) **Field of Classification Search**
USPC D24/200, 209, 214–215, 206
CPC A61H 7/00; A61H 7/001; A61H 7/003;
A61H 7/005; A61H 7/007; A61H 7/008;
A61H 19/00; A61H 19/40; A61H 23/00;
A61H 23/06; A61H 2205/087; A61F
2007/0048; A61F 2007/005; A61F 7/00
See application file for complete search history.

(56) **References Cited**

U.S. PATENT DOCUMENTS

D509,301 S *	9/2005	Talbot	D24/215
D523,963 S *	6/2006	Telford	D24/215
D613,417 S *	4/2010	Imboden	D24/215
D706,440 S *	6/2014	Hahr	D24/215
2011/0098613 A1 *	4/2011	Thomas	A61H 7/005 601/46
2015/0133832 A1	5/2015	Courtion et al.		
2016/0074276 A1 *	3/2016	Scheuring	A61H 19/40 600/479

OTHER PUBLICATIONS

Australian Government, IP Australia, Design Examination Report No. 1, Australian Application No. 201517141, May 5, 2016, four pages.

Australian Government, IP Australia, Examination Report No. 2, Australian Patent Application No. 201517141, Oct. 5, 2016, three pages.

* cited by examiner

Primary Examiner — Wan Laymon

(74) *Attorney, Agent, or Firm* — Fenwick & West LLP

(57) **CLAIM**

The ornamental design for a light-emitting diode and rejuvenating massage device, as shown and described.

DESCRIPTION

FIG. 1 is a front, top, and right side perspective view of a light-emitting diode and rejuvenating massage device according to a first embodiment;

FIG. 2 is a bottom view according the first embodiment;

FIG. 3 is a top view according to the first embodiment;

FIG. 4 is a right side elevational view according the first embodiment;

FIG. 5 is a left side elevational view according the first embodiment;

FIG. 6 is a front elevational view according the first embodiment;

FIG. 7 is a back elevational view according the first embodiment;

FIG. 8 is a front, top, and right side perspective view of the light-emitting diode and rejuvenating massage device with a sleeve according to the first embodiment;

FIG. 9 is a front, top, and right side perspective view of a light-emitting diode and rejuvenating massage device according to a second embodiment;

FIG. 10 is a bottom view according to the second embodiment;

FIG. 11 is a top view thereof;

FIG. 12 is a right side elevational view according to the second embodiment;

FIG. 13 is a left side elevational view according to the second embodiment;

FIG. 14 is a front elevational view according to the second embodiment;

FIG. 15 is a back elevational view according to the second embodiment;

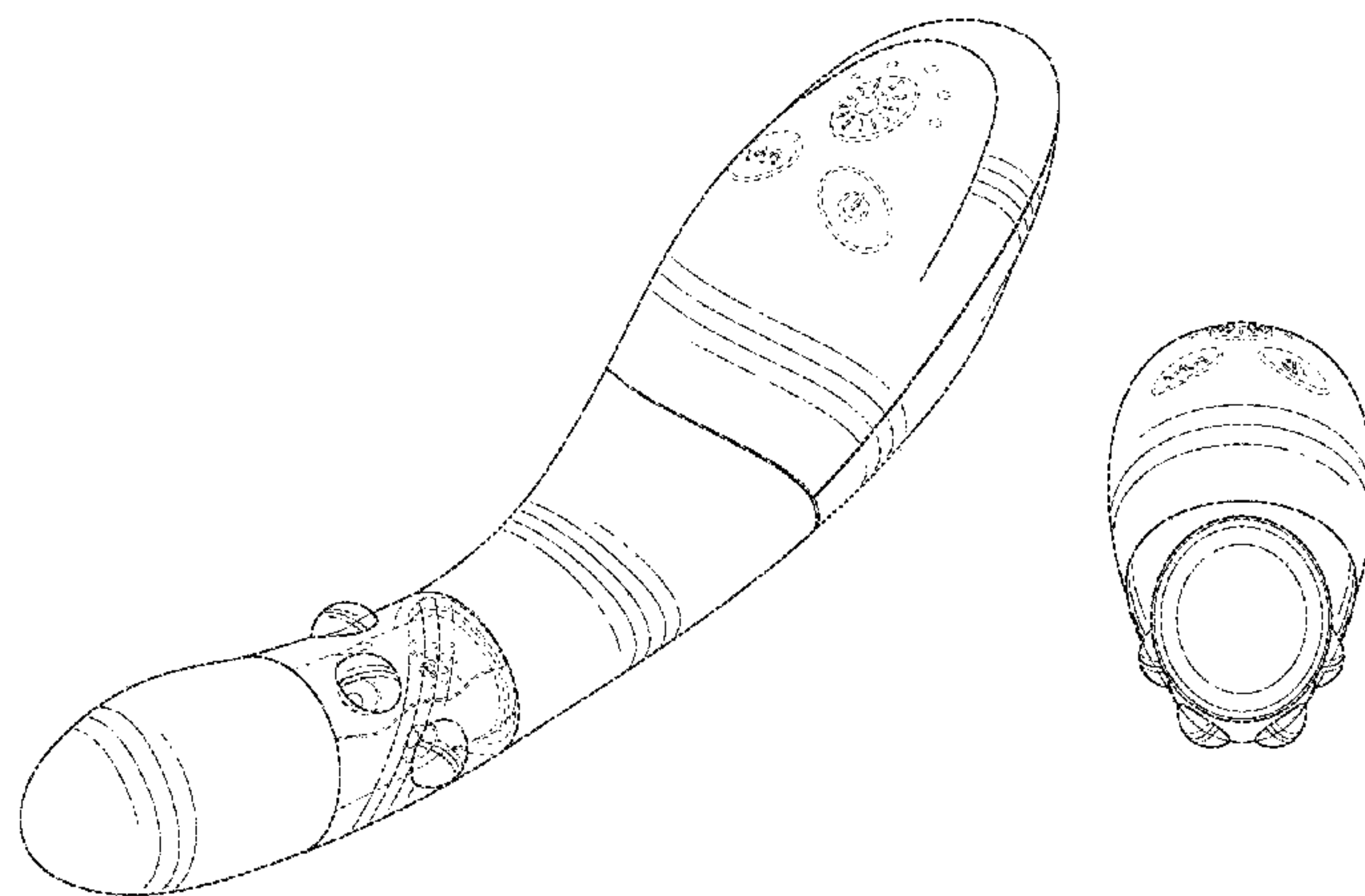


FIG. **16** is a front, top, and right side perspective view of the light-emitting diode and rejuvenating massage device with a sleeve according to the second embodiment;

FIG. **17** is a front, top, and right side perspective view of a light-emitting diode and rejuvenating massage device according to a third embodiment;

FIG. **18** is a bottom view according to the third embodiment;

FIG. **19** is a top view according to the third embodiment;

FIG. **20** is a right side elevational view according to the third embodiment;

FIG. **21** is a left side elevational view according to the third embodiment;

FIG. **22** is a front elevational view according to the third embodiment;

FIG. **23** is a back elevational view according to the third embodiment; and,

FIG. **24** is a front, top, and right side perspective view of the light-emitting diode and rejuvenating massage device with a sleeve according to the third embodiment.

The broken lines in the drawings showing portions of the light-emitting diode and rejuvenating massage device are included for the purpose of illustrating environmental structure and form no part of the claimed design.

1 Claim, 24 Drawing Sheets

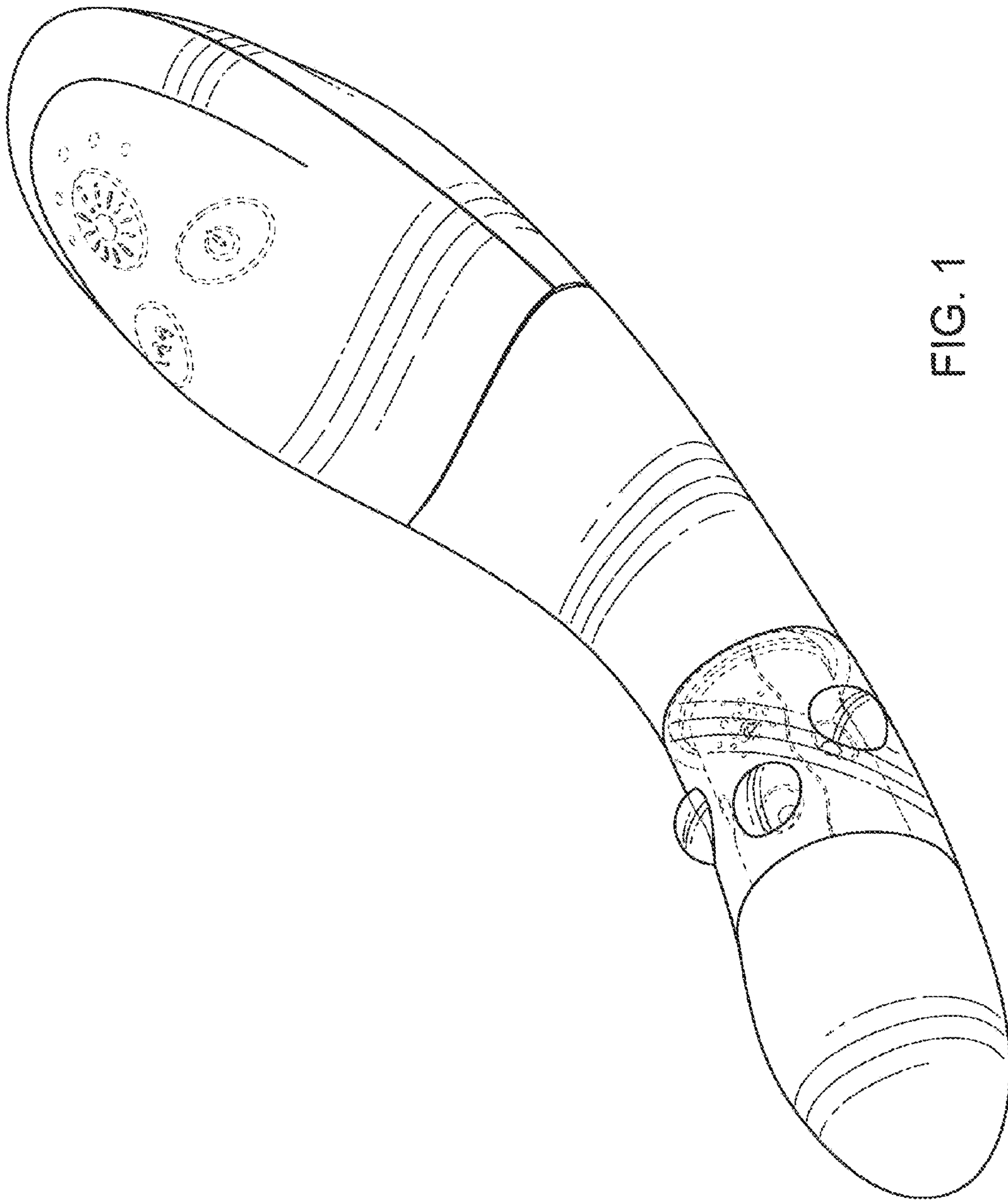


FIG. 1

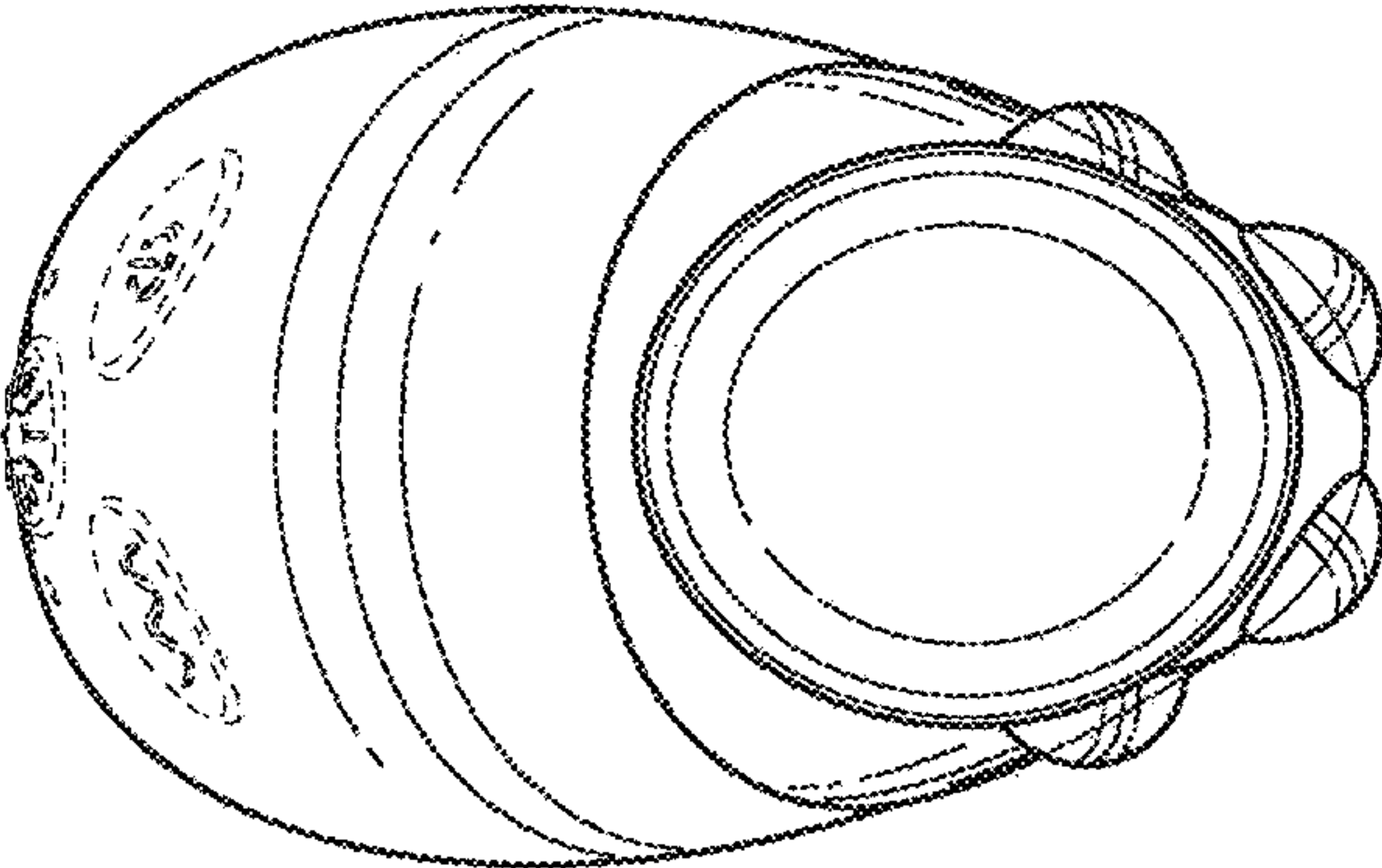


FIG. 2

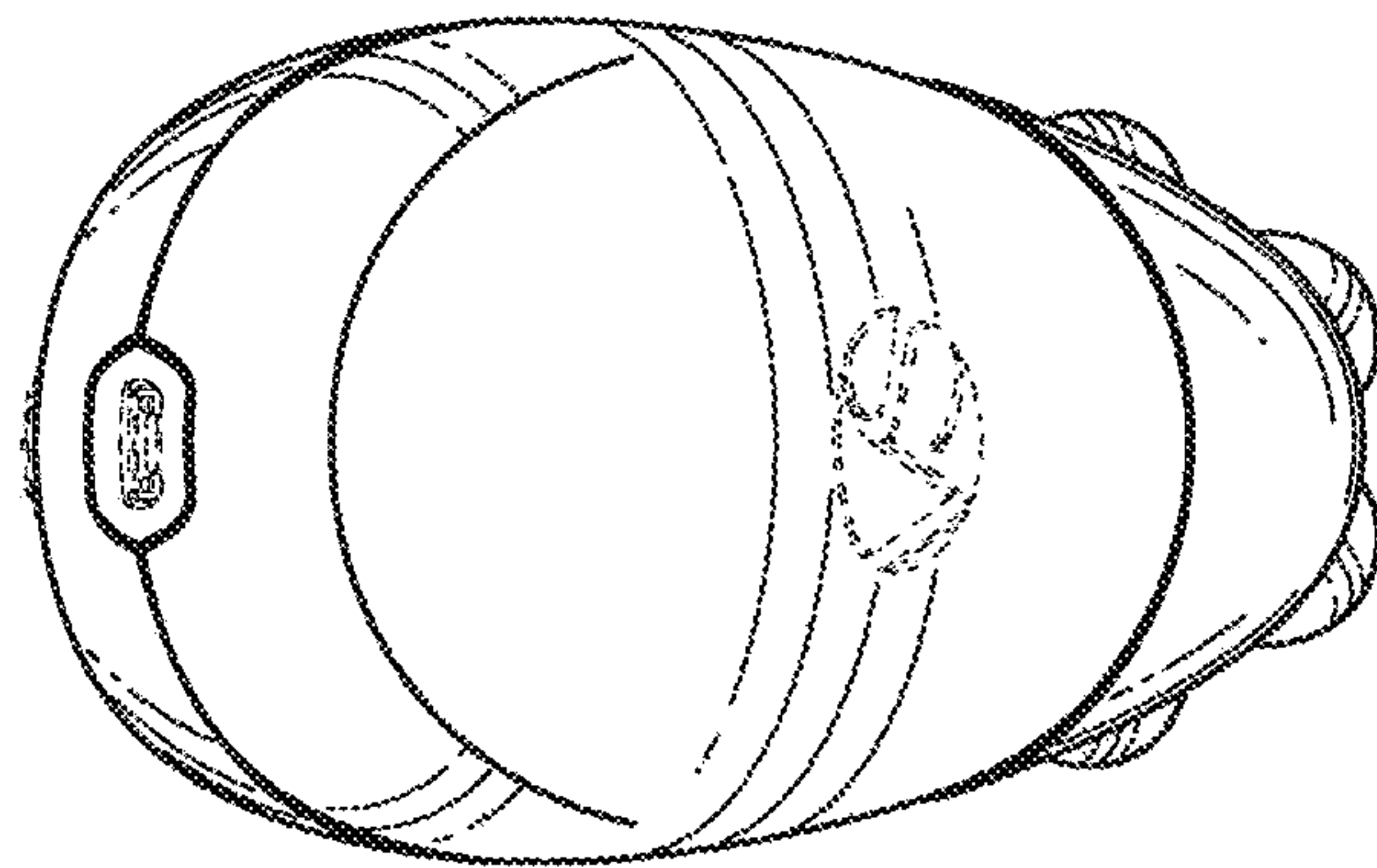


FIG. 3

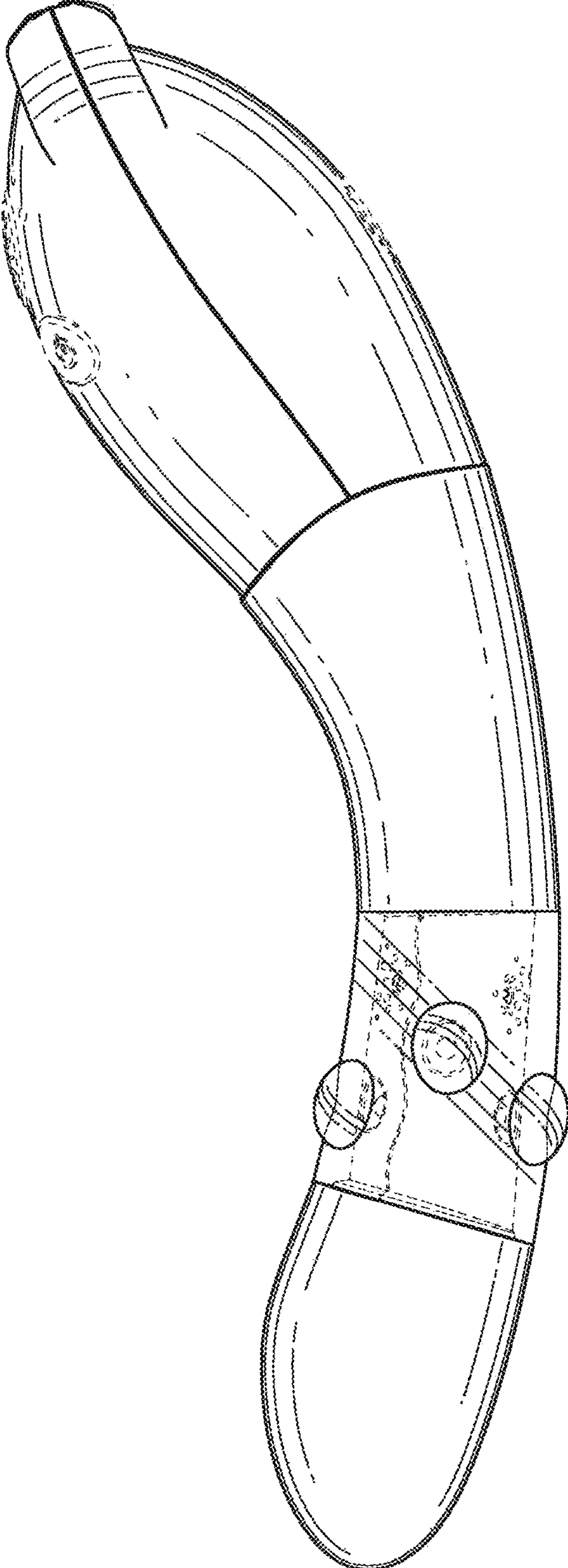


FIG. 4

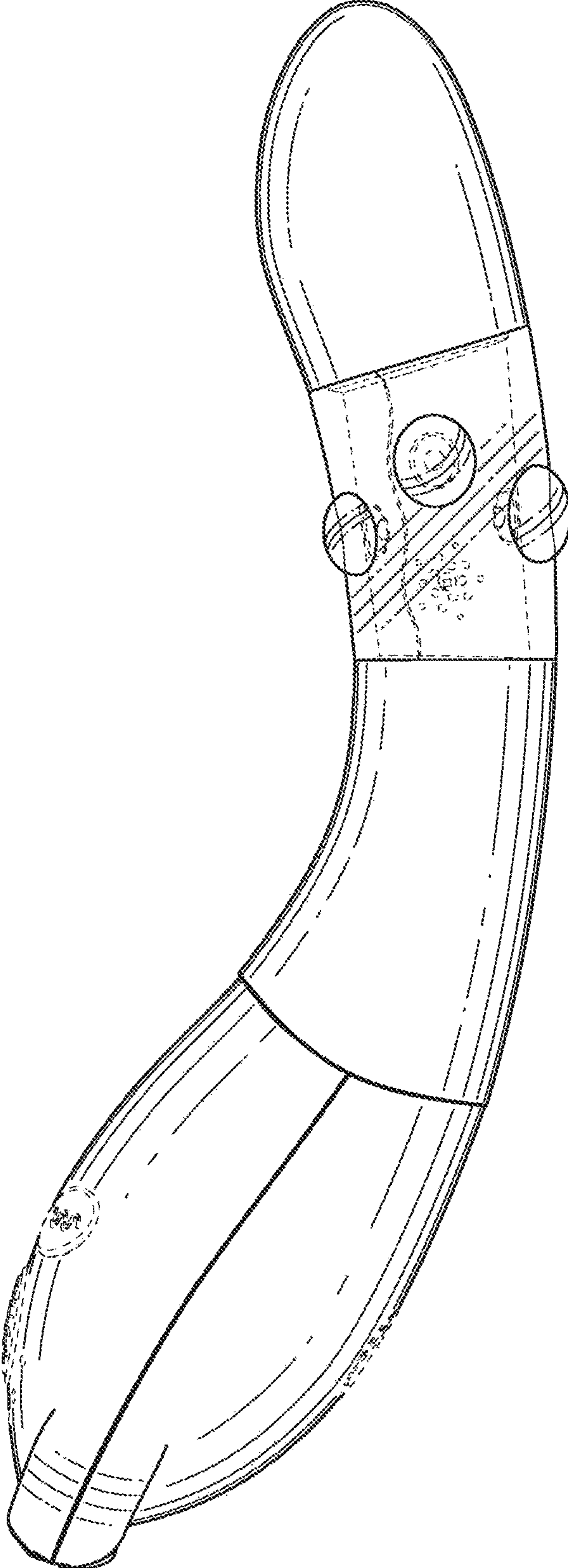


FIG. 5

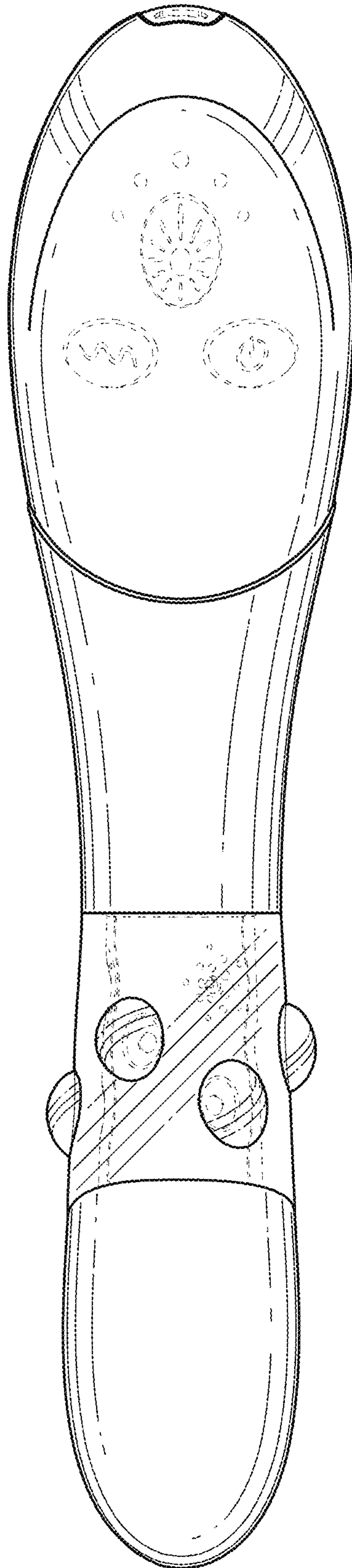


FIG. 6

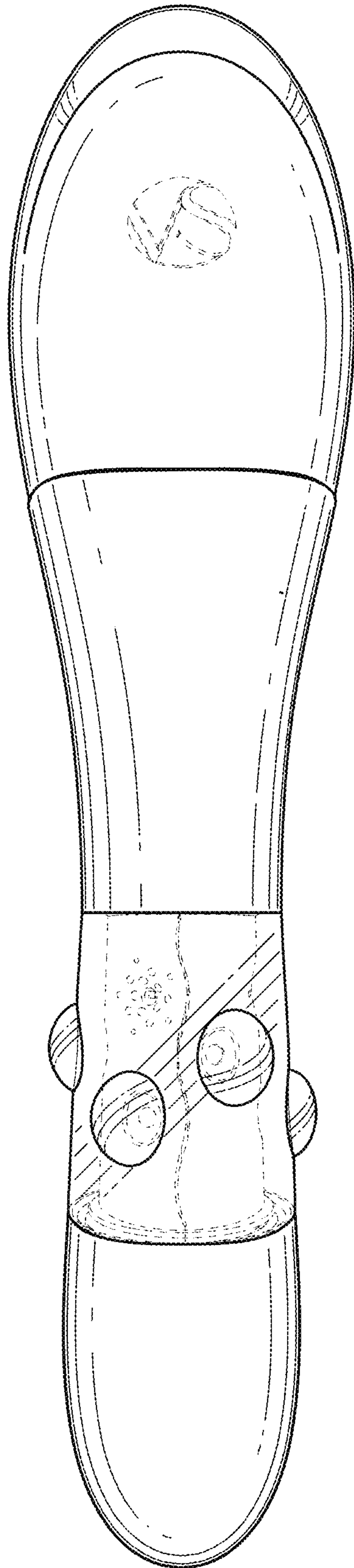


FIG. 7

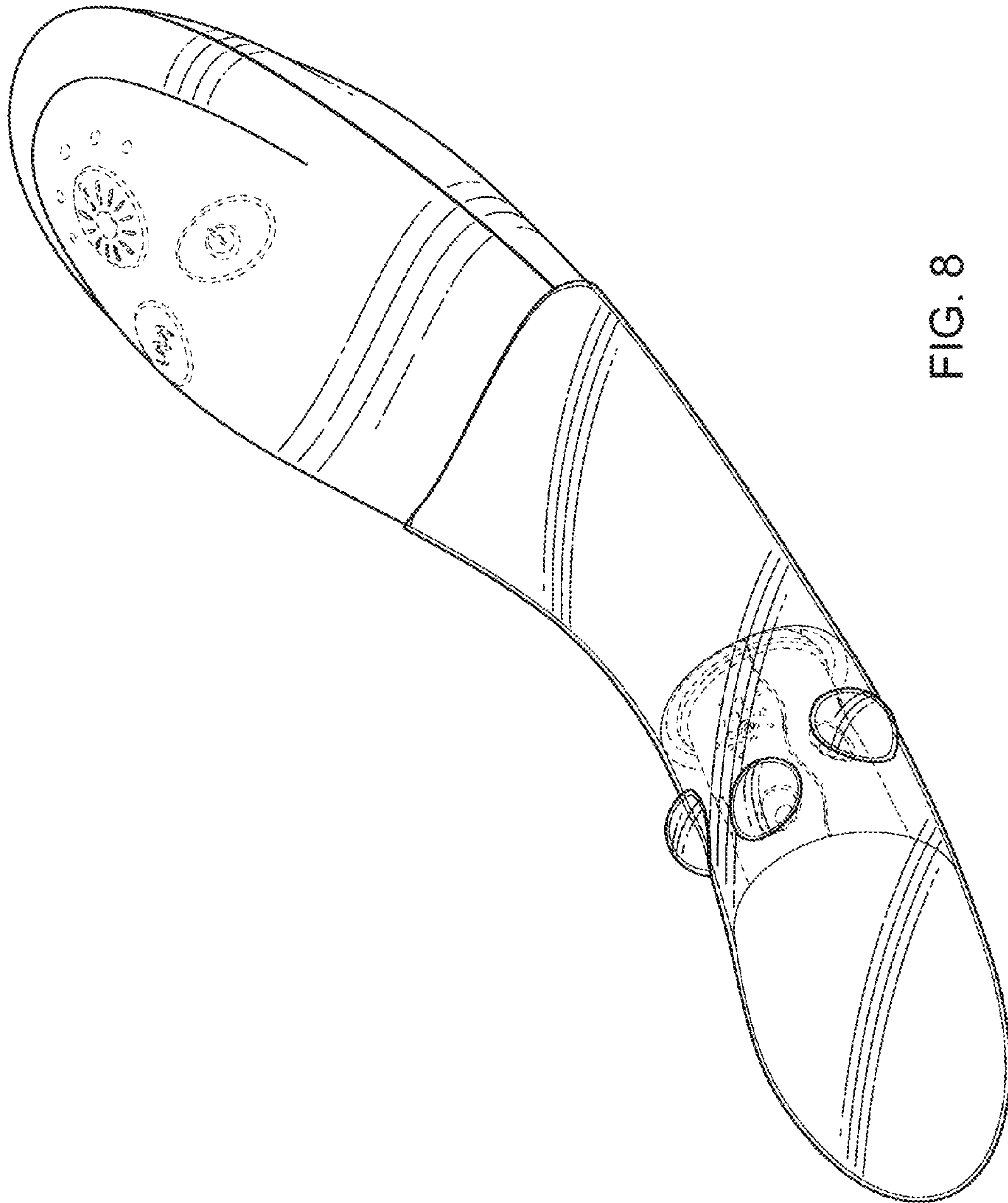


FIG. 8

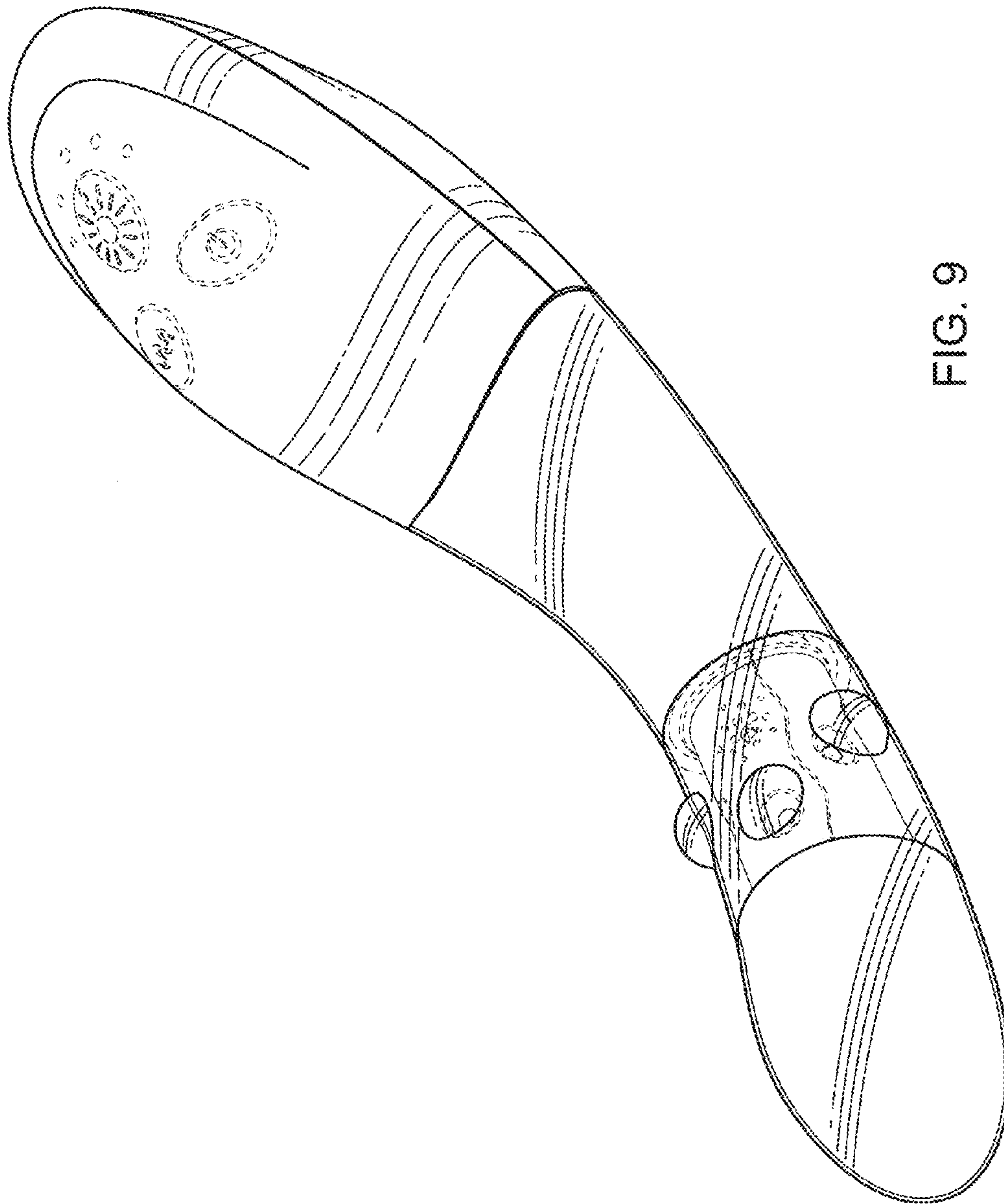


FIG. 9

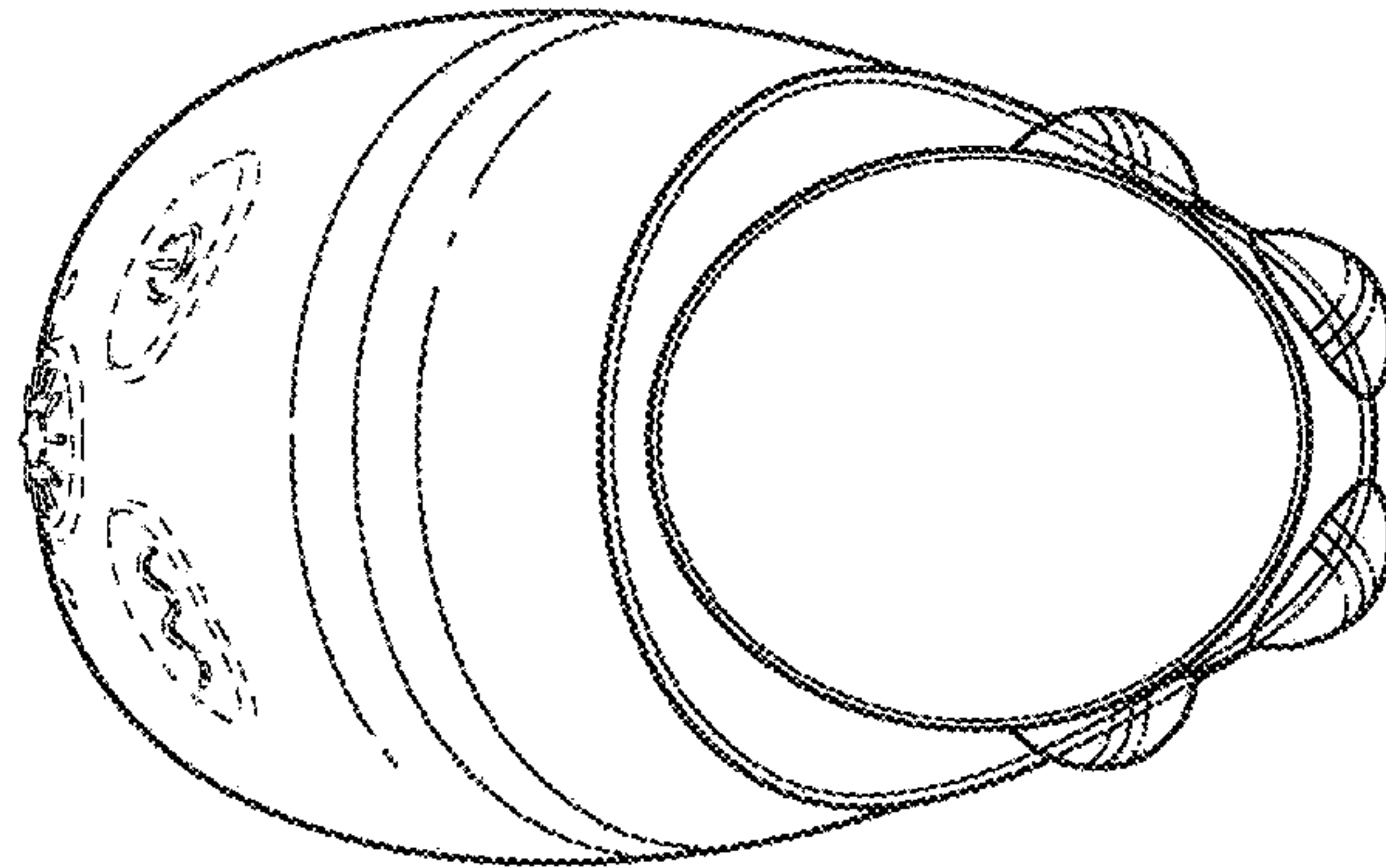


FIG. 10

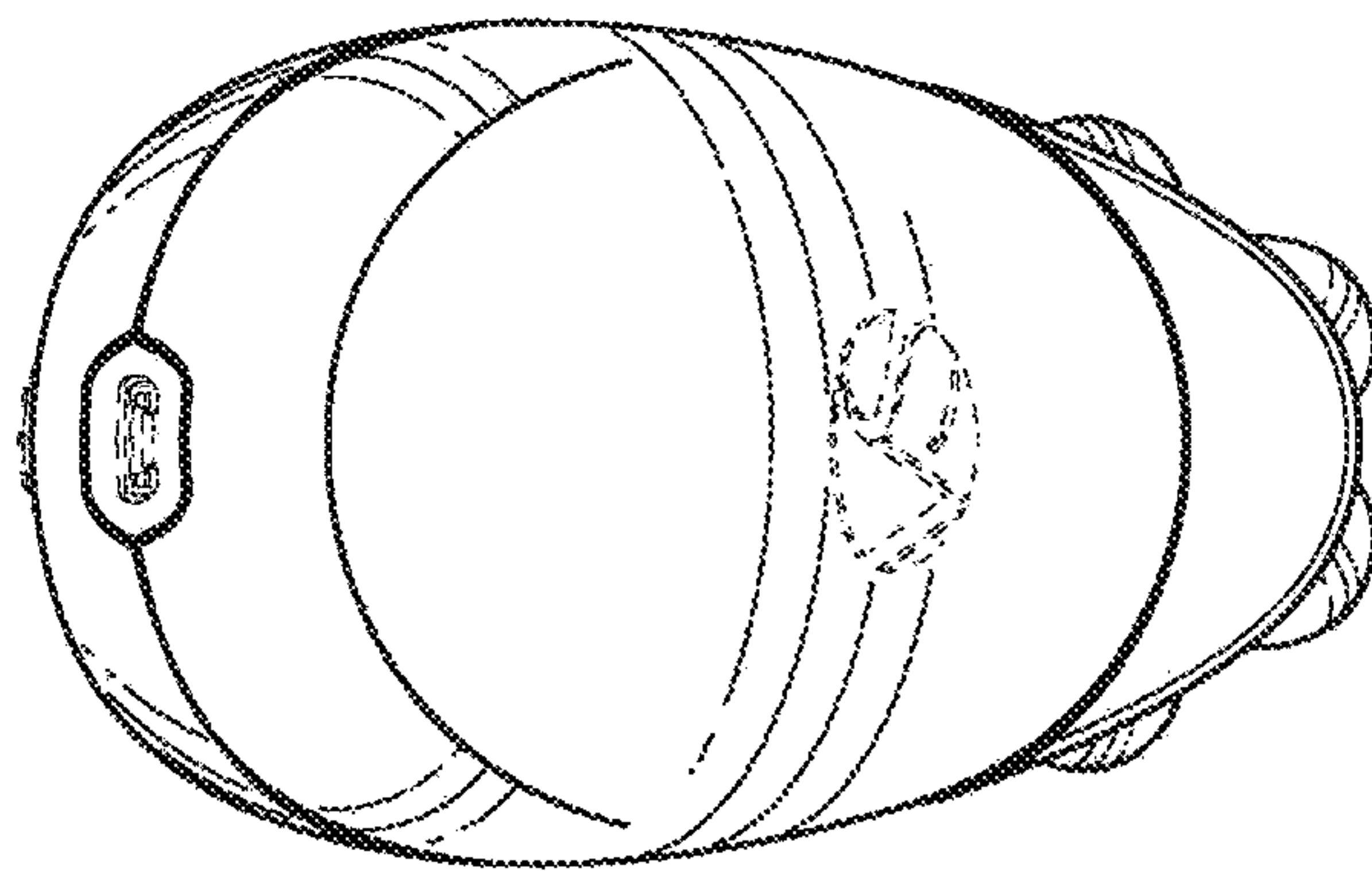


FIG. 11

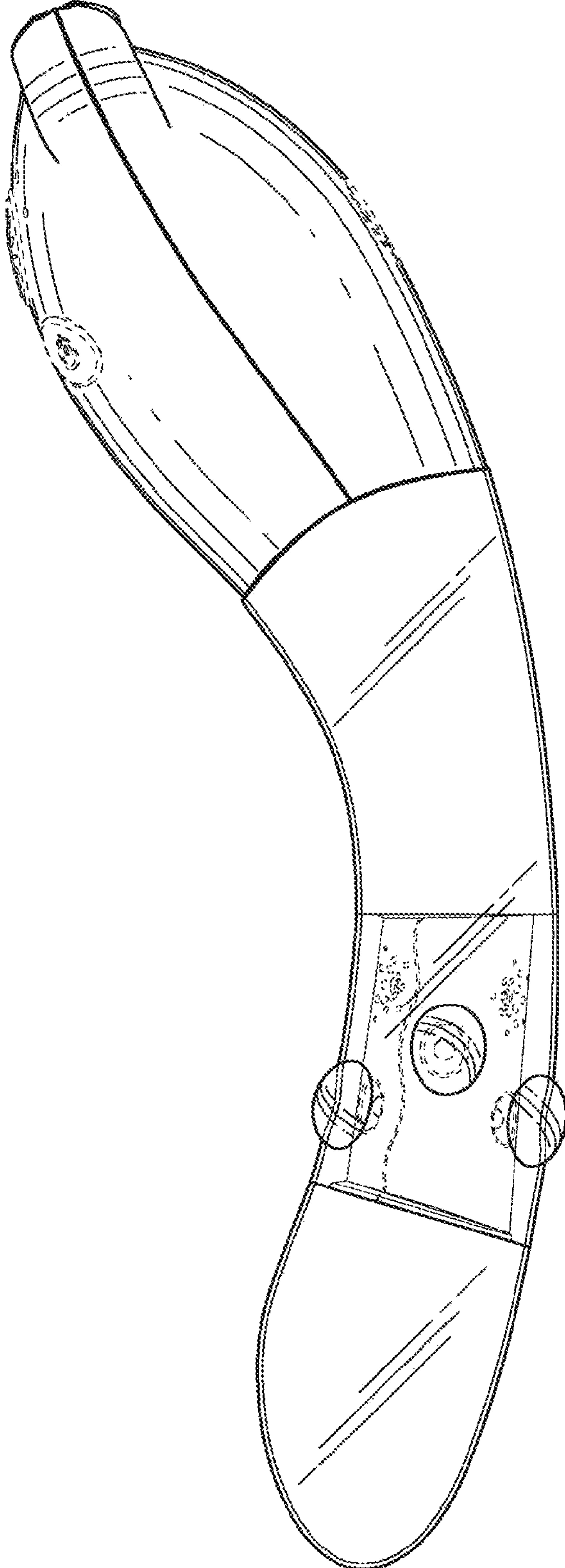


FIG. 12

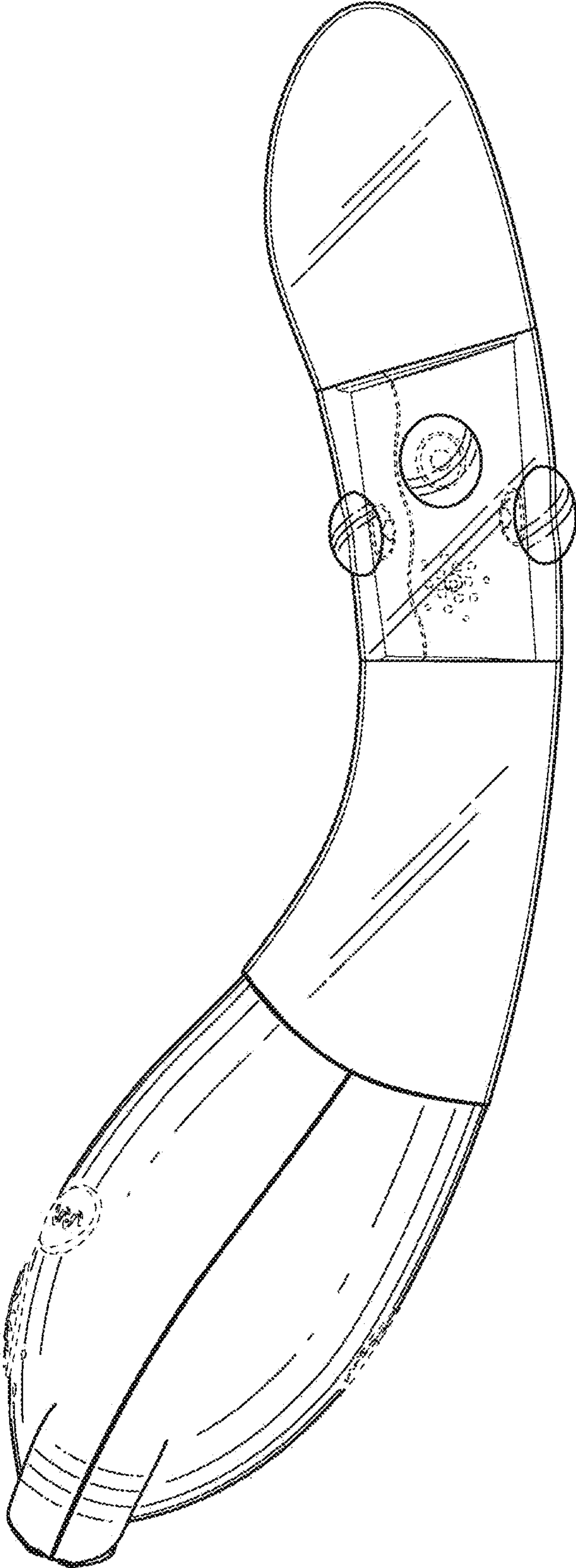


FIG. 13

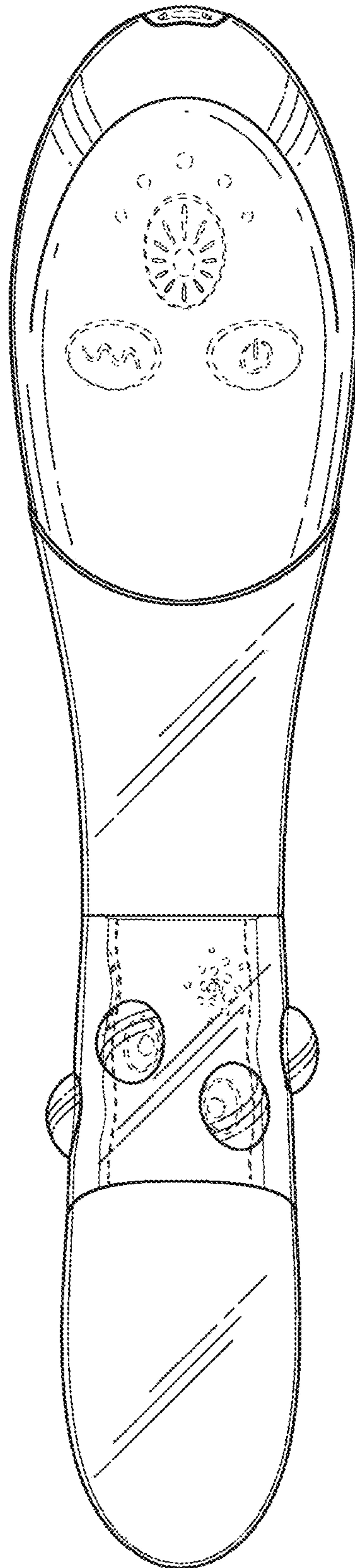


FIG. 14

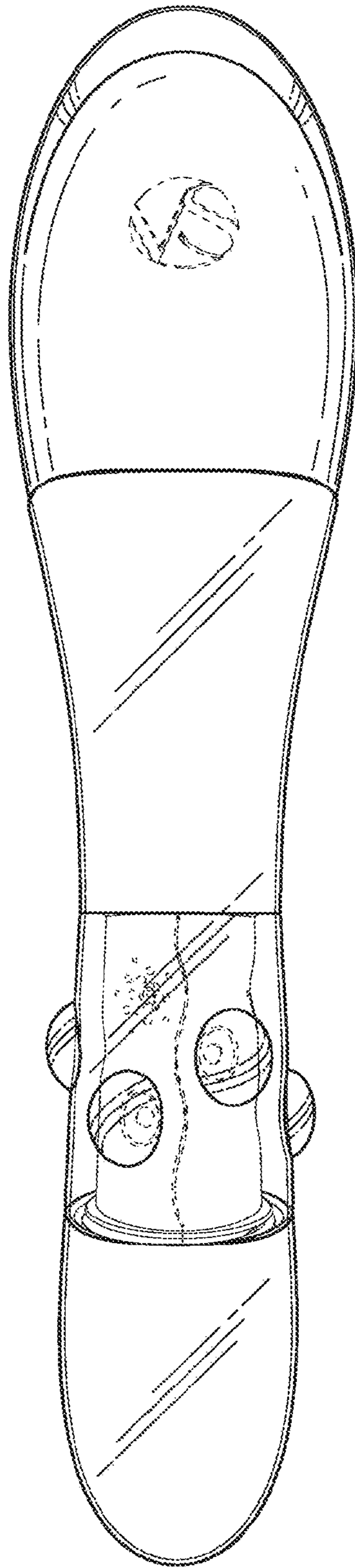


FIG. 15

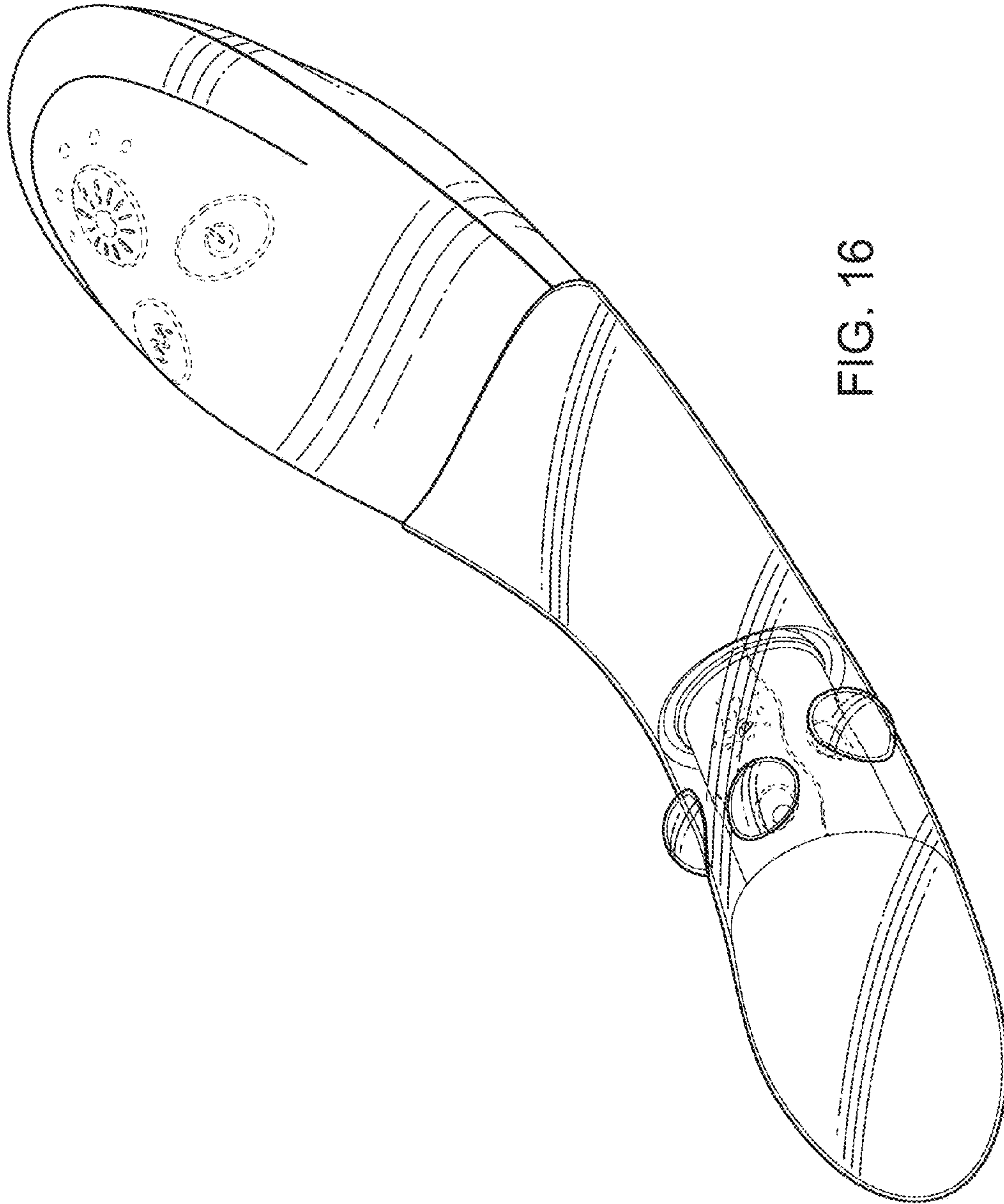


FIG. 16

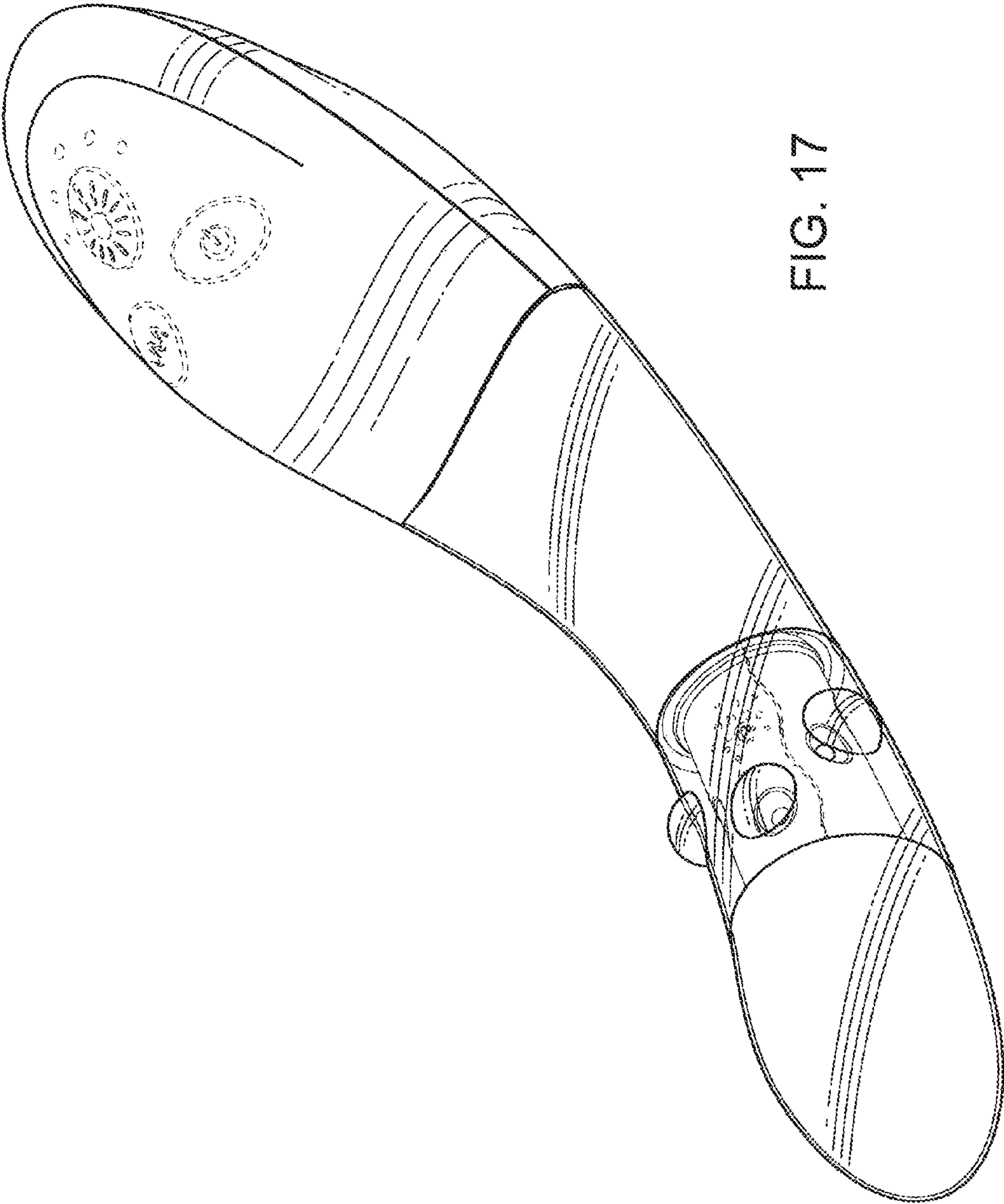


FIG. 17

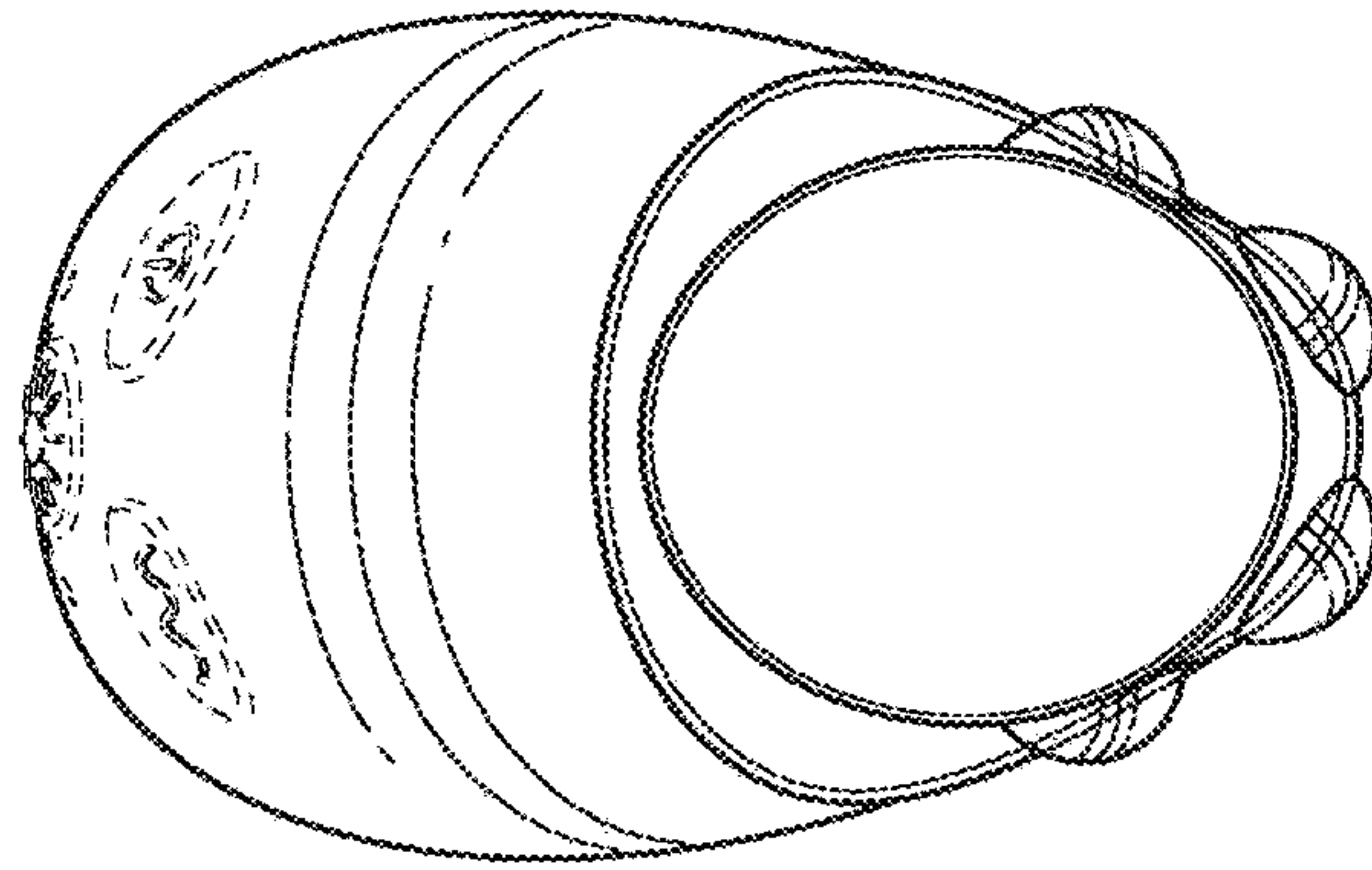


FIG. 18

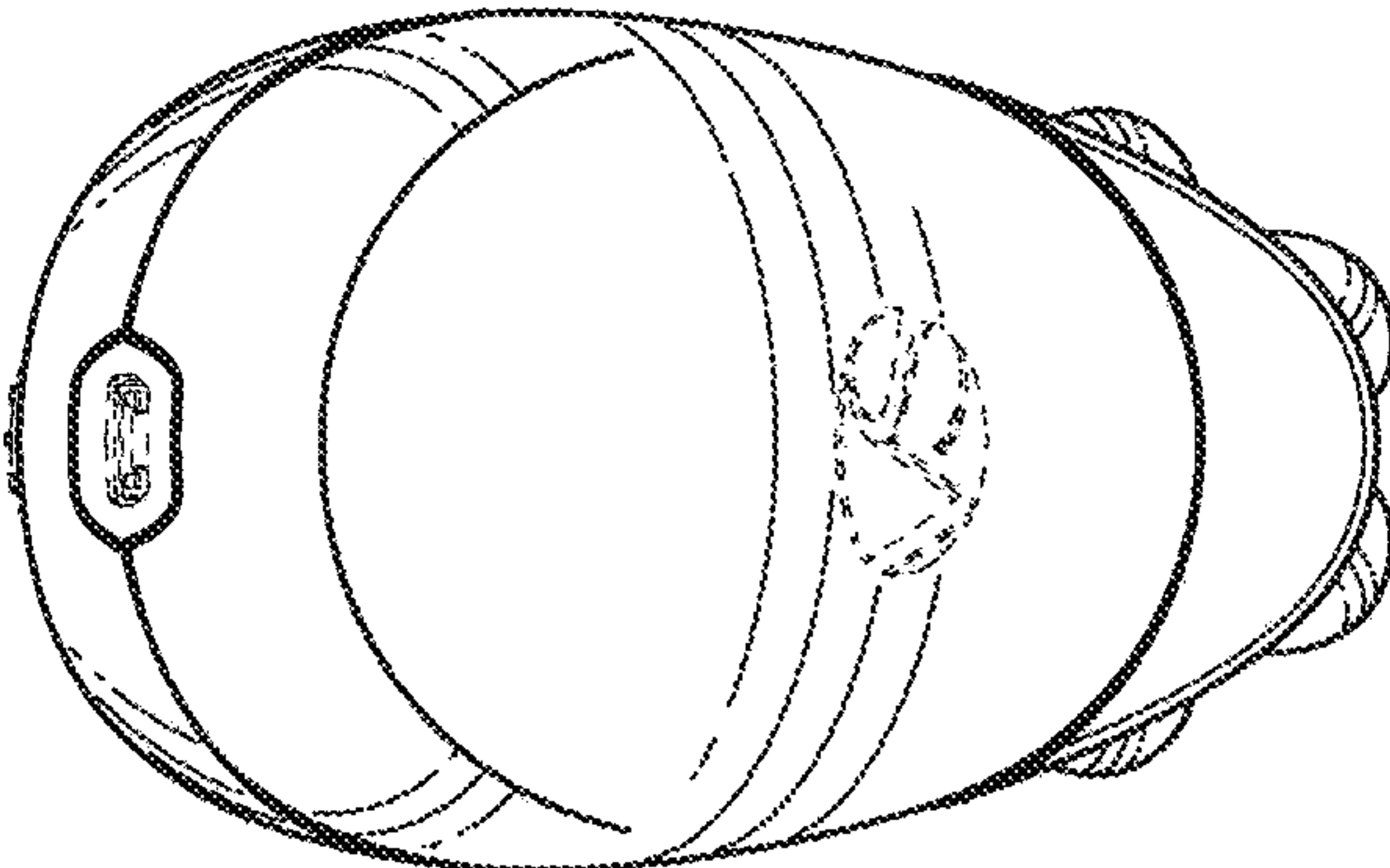


FIG. 19

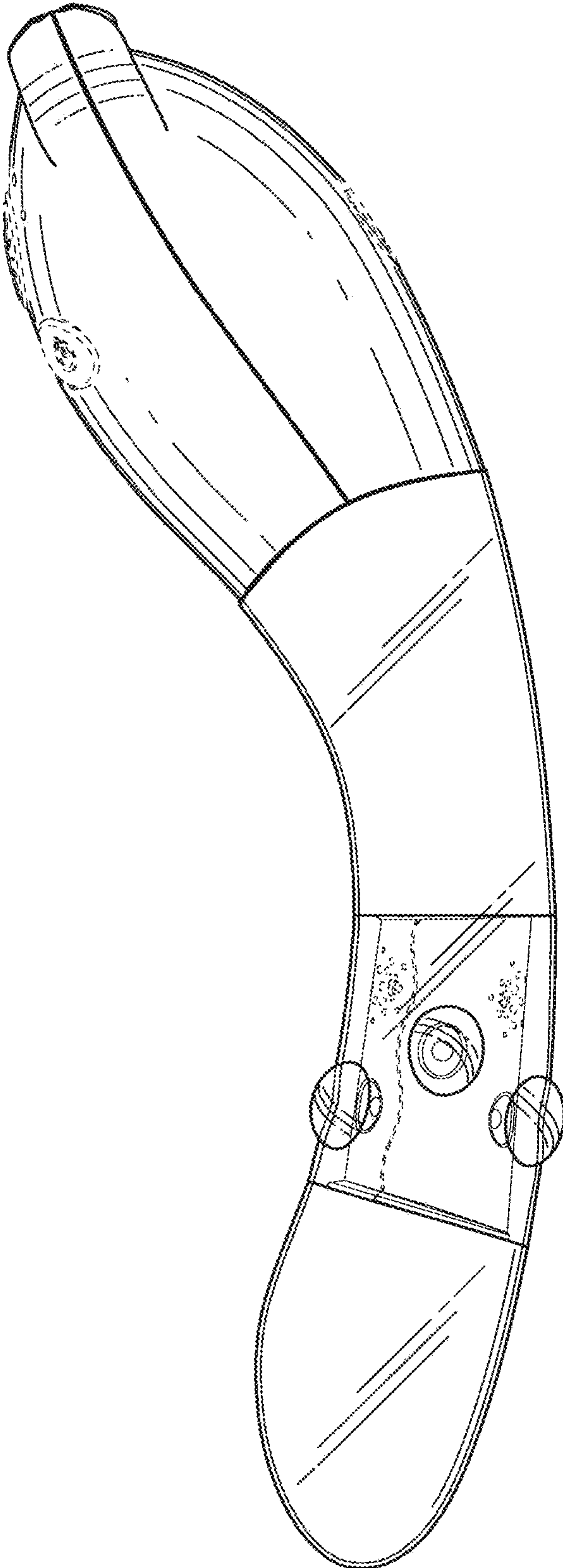


FIG. 20

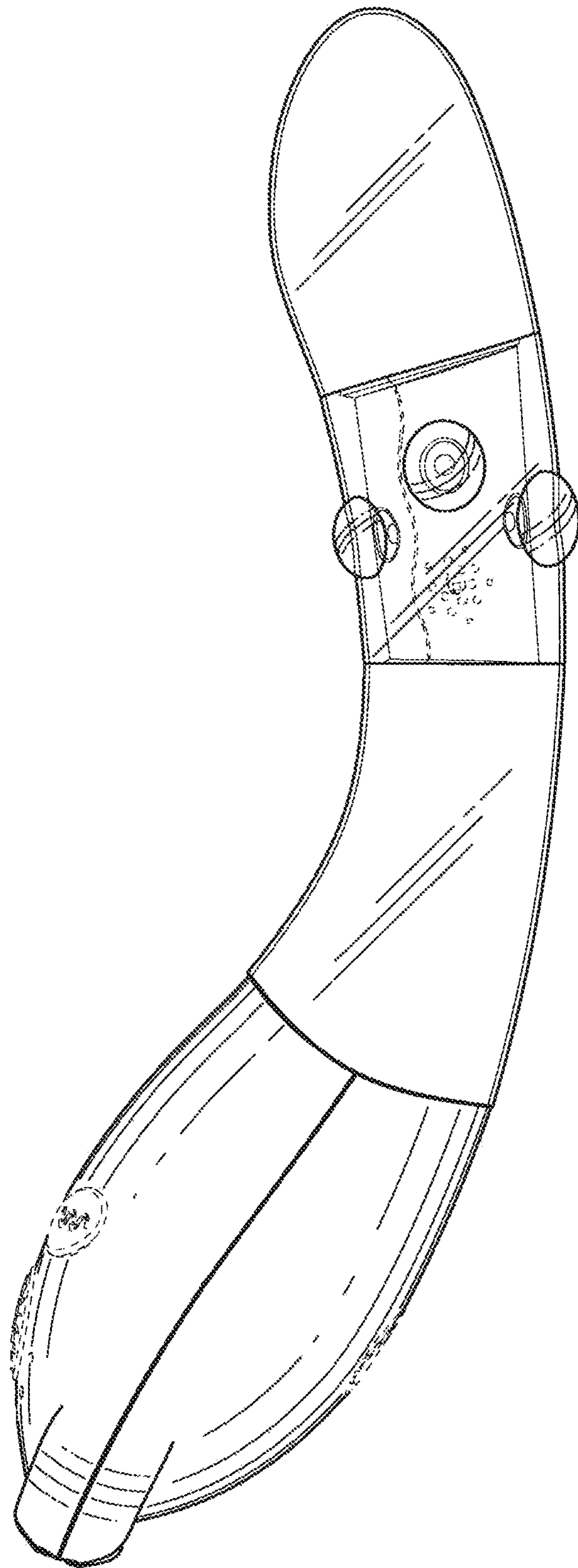


FIG. 21

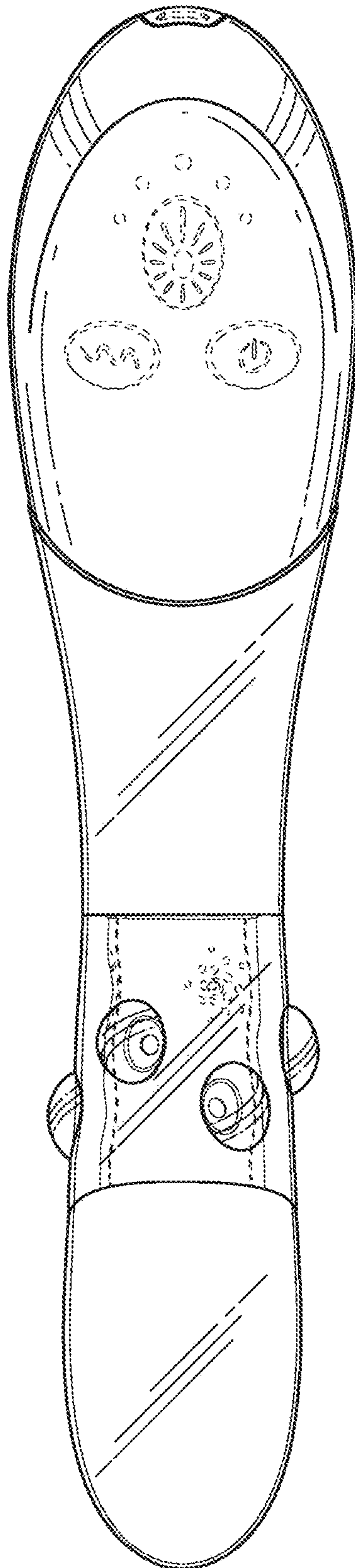


FIG. 22

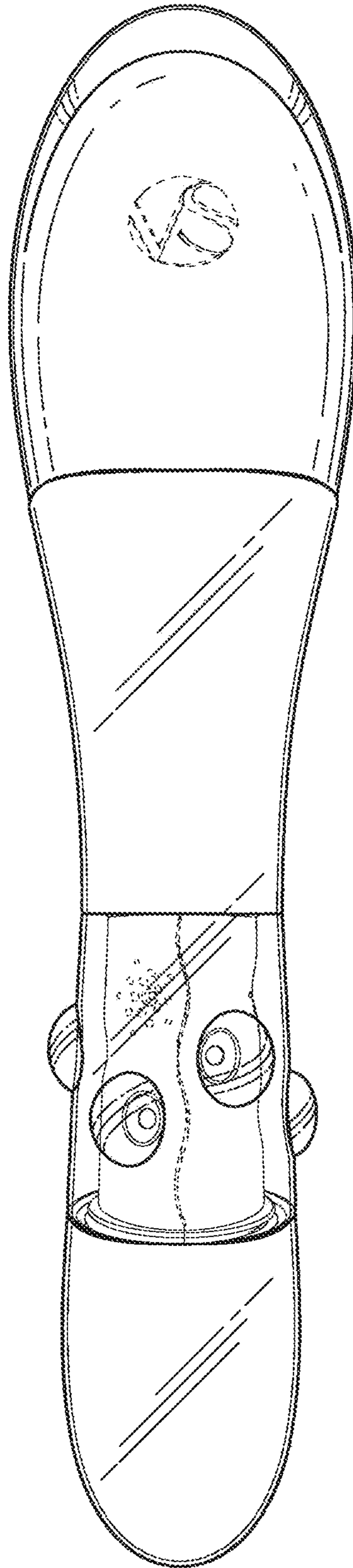


FIG. 23

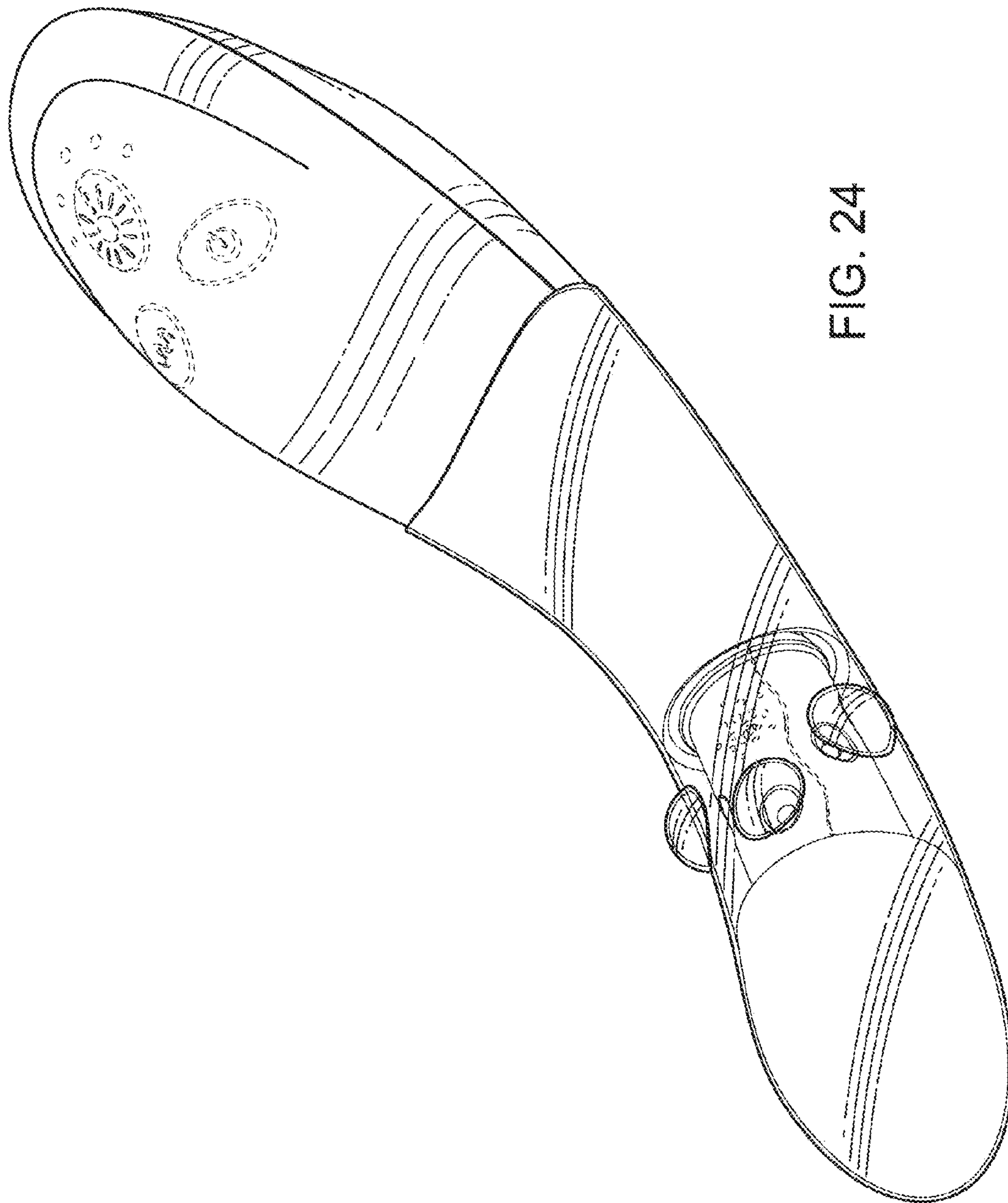


FIG. 24