



US00D773058S

(12) **United States Design Patent** (10) **Patent No.:** **US D773,058 S**
Takizawa et al. (45) **Date of Patent:** **** Nov. 29, 2016**

(54) **CONDUCTIVE SEAL OF A BIOMEDICAL SIGNAL RECORDER WITH A RADIO FUNCTION**

(71) Applicant: **TDK Corporation**, Tokyo (JP)

(72) Inventors: **Minoru Takizawa**, Sagamihara (JP); **Yasushi Sasaki**, Tokyo (JP); **Fongru Lin**, Yokohama (JP)

(73) Assignee: **TDK Corporation**, Tokyo (JP)

(**) Term: **14 Years**

(21) Appl. No.: **29/508,783**

(22) Filed: **Nov. 11, 2014**

(30) **Foreign Application Priority Data**

May 13, 2014 (JP) 2014-010184

(51) **LOC (10) Cl.** **24-02**

(52) **U.S. Cl.**
USPC **D24/187**

(58) **Field of Classification Search**
USPC D24/168, 186-187, 200; 601/15, 71; 600/372, 382, 383, 386-394, 544, 554, 600/528, 484, 509, 547; 607/45, 46, 115, 607/139, 141, 104, 5, 142; D9/707
CPC A61H 2201/0207; A61H 23/0263; A61H 31/005; A61B 5/0408; A61B 5/04085; A61B 5/0478; A61B 5/04082; A61B 5/6831; A61B 5/04087; A61B 3/16; A61B 3/165; A61B 5/0476; A61B 5/05; A61B 7/04; A61B 5/0205; A61B 5/0537; A61N 1/3605; A61N 1/05; A61N 1/0472; A61N 1/0408
See application file for complete search history.

(56) **References Cited**

U.S. PATENT DOCUMENTS

D297,461 S * 8/1988 Inoue D24/168
D458,376 S * 6/2002 Rouns D24/168
6,577,897 B1 * 6/2003 Shurubura A61B 5/0537
600/547

6,662,056 B2 * 12/2003 Picardo A61N 1/0472
607/142
D514,951 S * 2/2006 Vaisnys D9/707
D519,210 S * 4/2006 Fernandez D24/187
D524,943 S * 7/2006 Faller D24/167
D527,823 S * 9/2006 Levinson D24/187
D590,342 S * 4/2009 Davila D24/187
D613,413 S * 4/2010 Gonopolskiy D24/187
D615,657 S * 5/2010 Anderson D24/187
D615,659 S * 5/2010 Anderson D24/187
D625,823 S * 10/2010 Schneider D24/187
8,010,190 B2 * 8/2011 Olson A61H 31/005
600/509
D675,739 S * 2/2013 McCormack D24/168
8,798,743 B1 * 8/2014 Khuon A61N 1/3968
607/5

FOREIGN PATENT DOCUMENTS

JP S1485504 12/2013
JP S1485505 12/2013
JP S1485726 12/2013

* cited by examiner

Primary Examiner — T. Chase Nelson

Assistant Examiner — Mark Cavanna

(74) *Attorney, Agent, or Firm* — Banner & Witcoff, Ltd.

(57) **CLAIM**

The ornamental design for a conductive seal of a biomedical signal recorder with a radio function, as shown and described.

DESCRIPTION

FIG. 1 is a front view of a conductive seal of a biomedical signal recorder with a radio function, showing our new design;

FIG. 2 is a rear view thereof;

FIG. 3 is a top view thereof, the bottom being symmetrical;

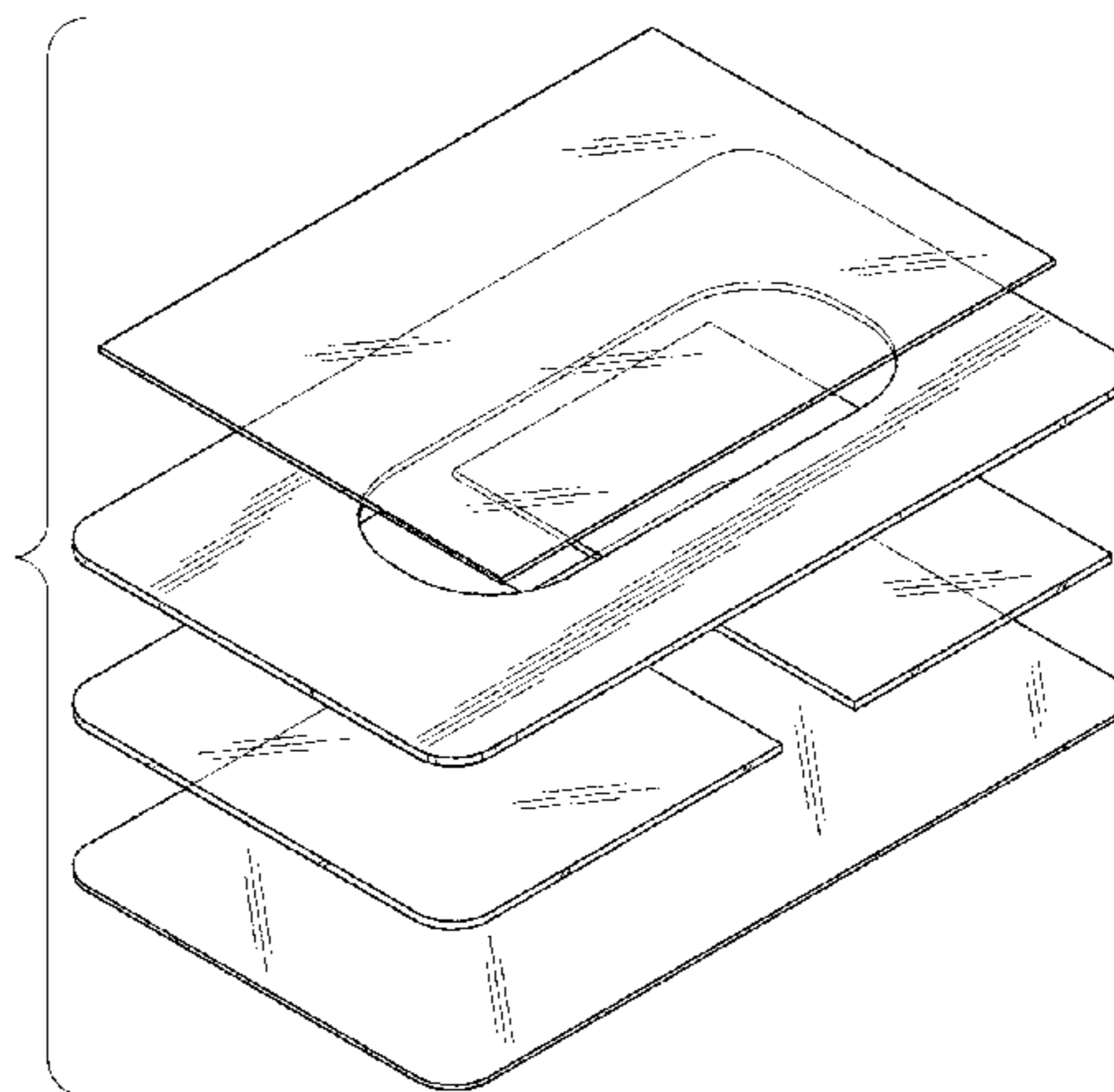
FIG. 4 is a right side view thereof, the left side being symmetrical;

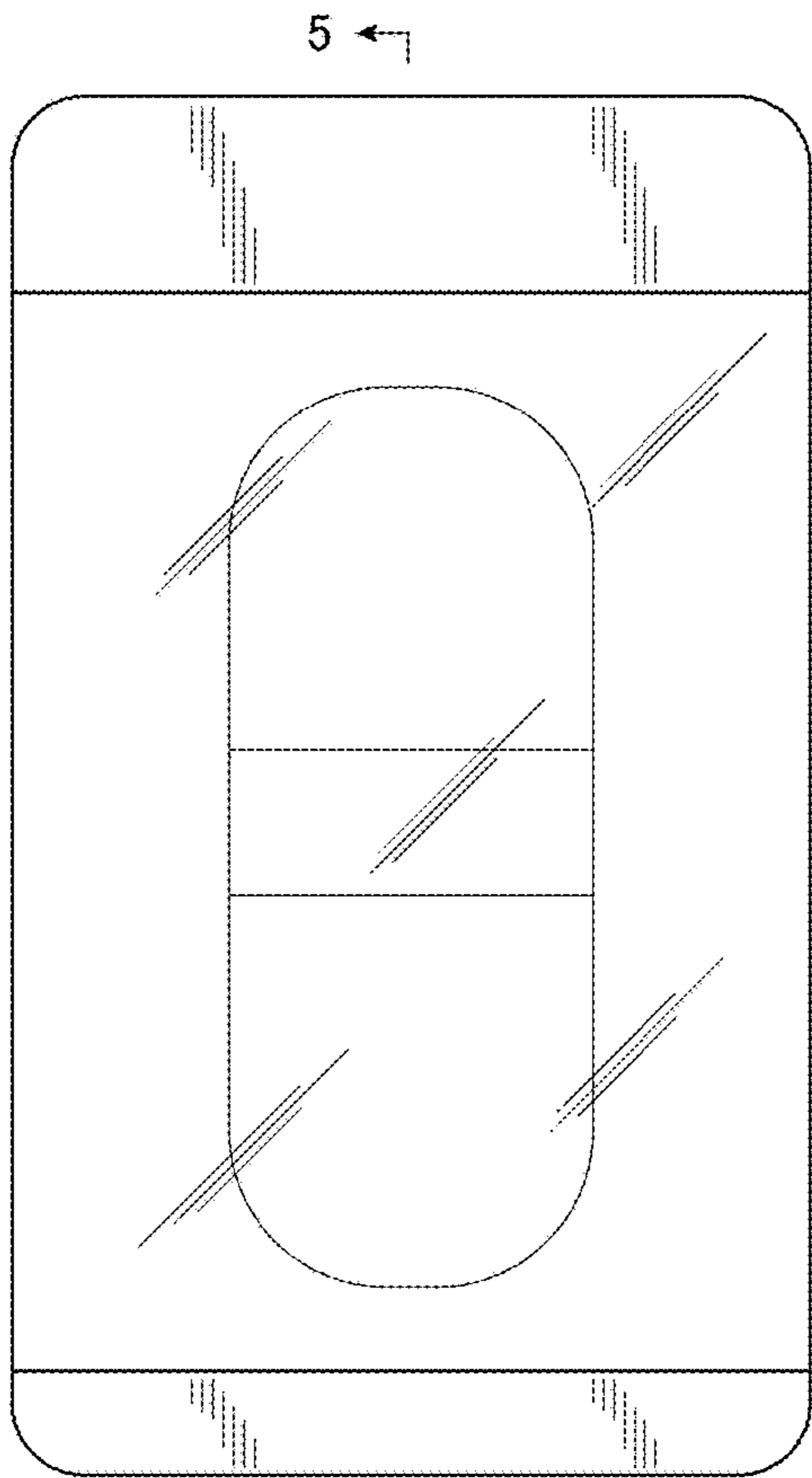
FIG. 5 is a cross sectional view thereof, taken along the line 5-5 in FIG. 1; and,

FIG. 6 is a reference view thereof, showing a state of separated components of the sheet.

The broken lines shown in FIG. 5 are for environmental purposes only and form no part of the claimed design.

1 Claim, 3 Drawing Sheets





5 ←

Fig. 1

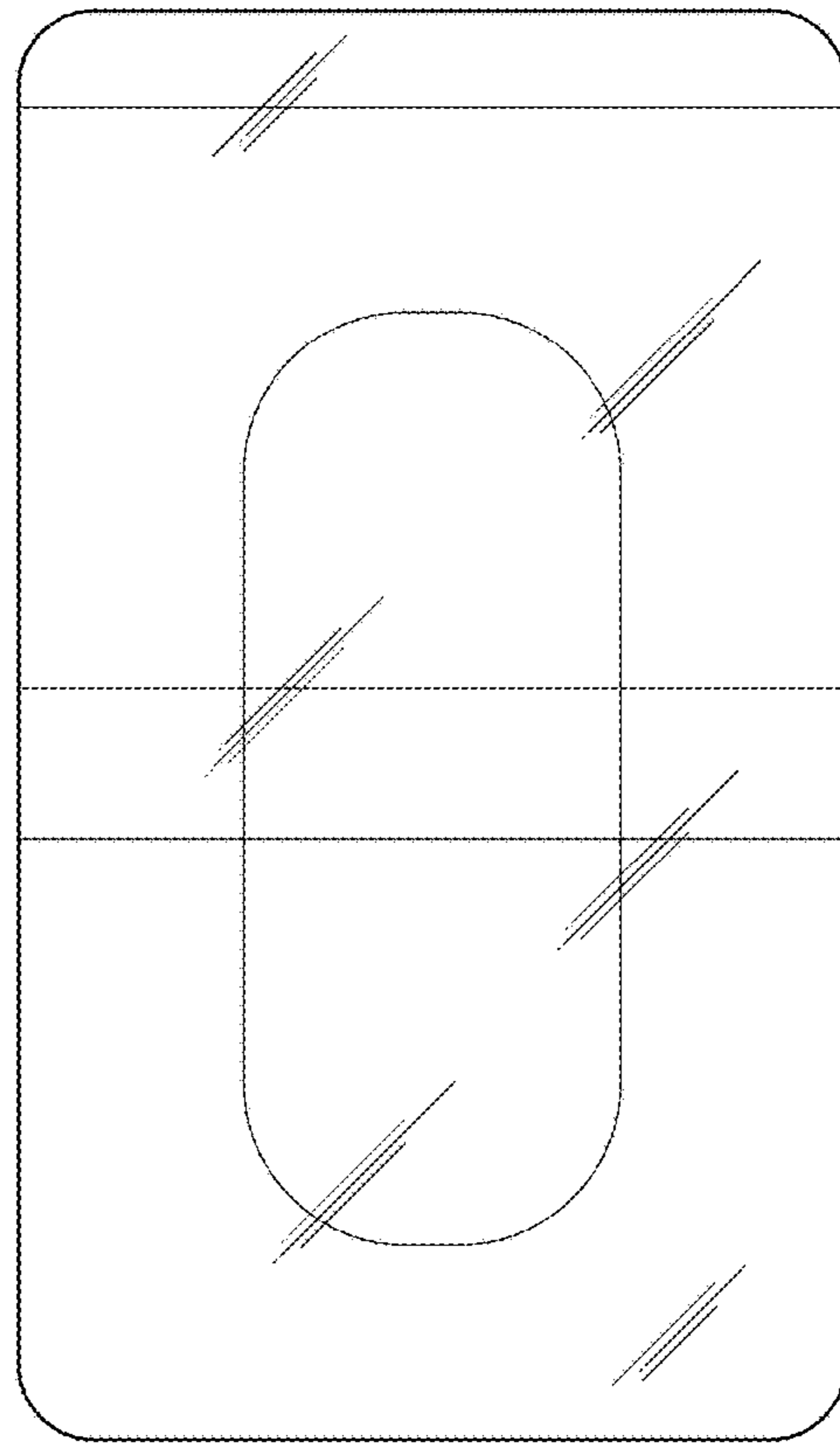


Fig. 2

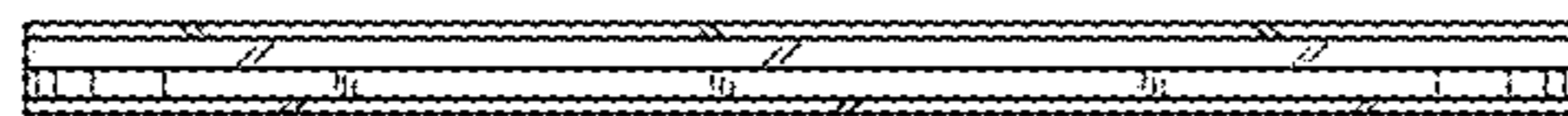


Fig. 3

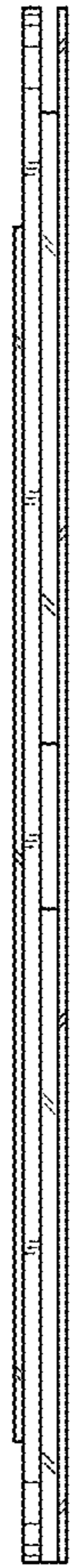


Fig. 4

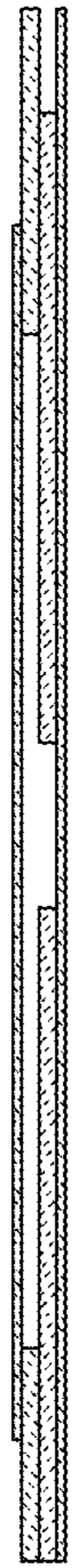


Fig. 5

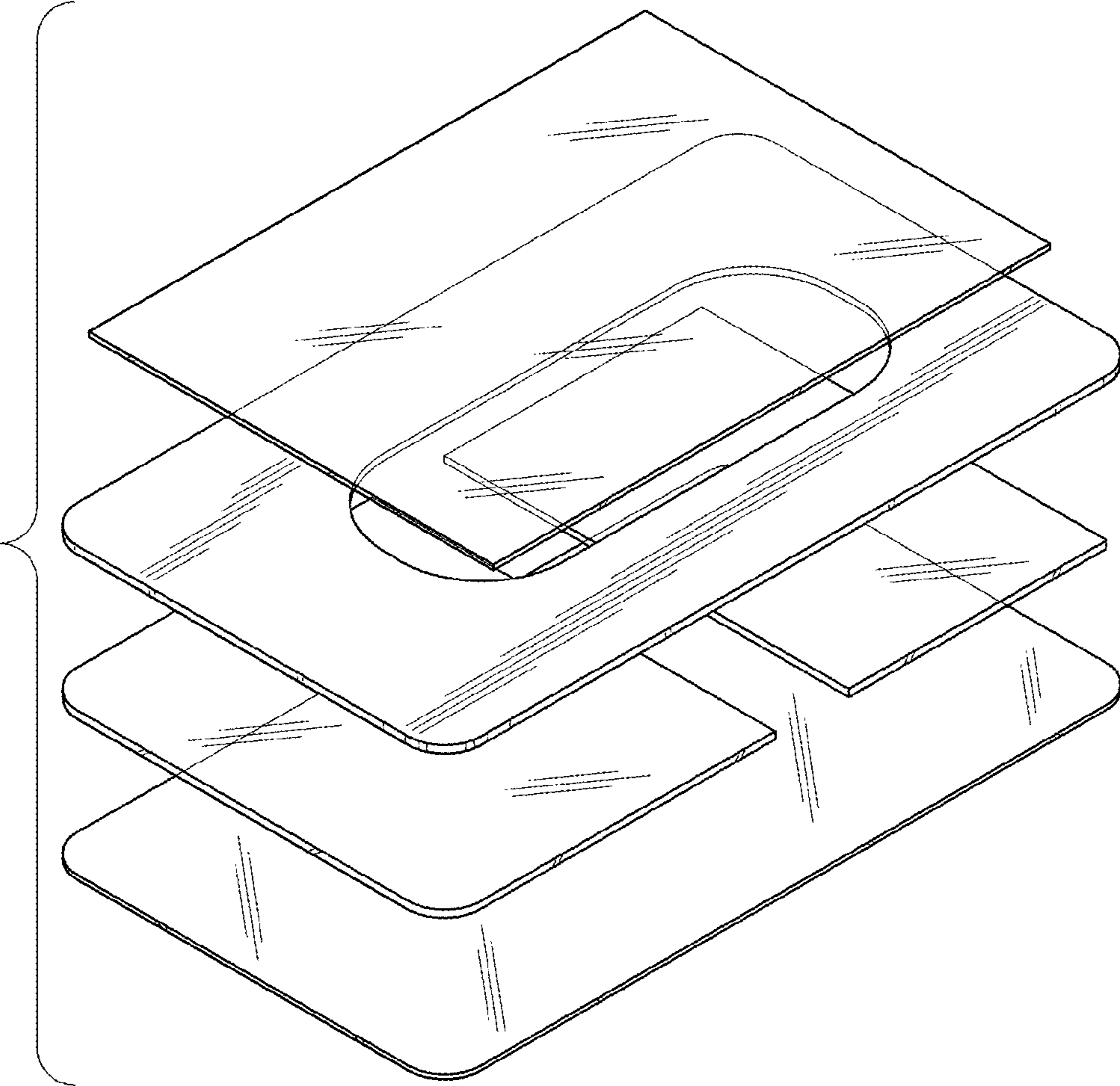


Fig.6